

PLEASE CHECK WWW.MOLEX.COM FOR LATEST PART INFORMATION

Part Number: **0510161000**
Status: **Active**
Description: 1.50mm (.059") Pitch Cable Holder, Vertical, for Ribbon Cable, 10 Circuits

Documents:

[3D Model](#) [Product Specification PS-51016-001 \(PDF\)](#)
[Drawing \(PDF\)](#) [RoHS Certificate of Compliance \(PDF\)](#)

General

Product Family	Ribbon Cable / Wire Trap Connectors
Series	51016
Component Type	One Piece
Glow-Wire Compliant	No
Product Name	Board-In, Cable Holder

Physical

Circuits (Loaded)	10
Color - Resin	Natural
Entry Angle	Vertical
Lock to Mating Part	None
Material - Resin	Nylon
Number of Rows	1
PCB Locator	Yes
PCB Retention	Yes
PCB Thickness Recommended (in)	0.062 In
PCB Thickness Recommended (mm)	1.60 mm
Packaging Type	Bag
Pitch - Mating Interface (in)	0.059 In
Pitch - Mating Interface (mm)	1.50 mm
Polarized to Mating Part	N/A
Polarized to PCB	Yes
Stackable	No
Surface Mount Compatible (SMC)	No
Temperature Range - Operating	-40°C to +105°C
Wire Insulation Diameter	1.30mm (.051") max.
Wire Size AWG	26
Wire/Cable Type	Ribbon Cable

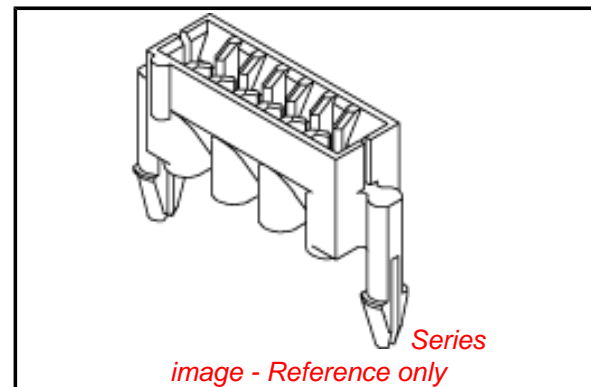
Electrical

Current - Maximum per Contact	N/A
Voltage - Maximum	N/A

Material Info

Reference - Drawing Numbers

Product Specification	PS-51016-001
Sales Drawing	SD-51016-001, SD-51016-002



EU RoHS

**ELV and RoHS
Compliant**
**REACH SVHC
Not Reviewed**
**Halogen-Free
Status
Not Reviewed**

China RoHS



**Need more information on product
environmental compliance?**

Email productcompliance@molex.com
For a multiple part number RoHS Certificate of Compliance, [click here](#)

Please visit the [Contact Us](#) section for any non-product compliance questions.

Search Parts in this Series

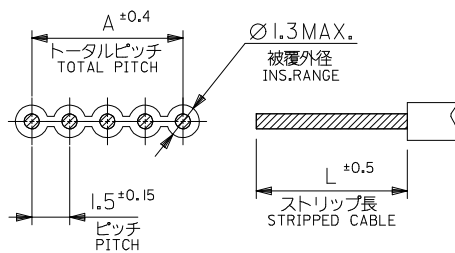
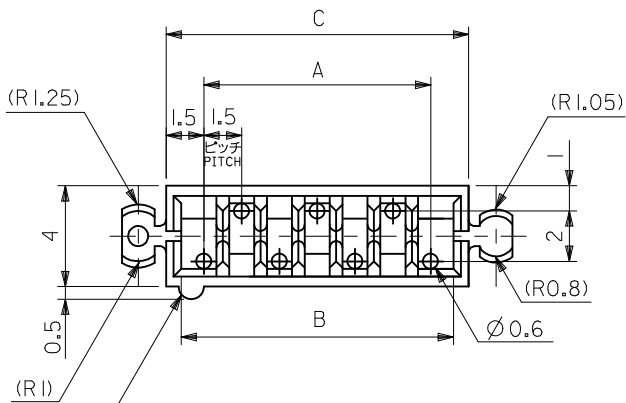
51016Series

Mates With

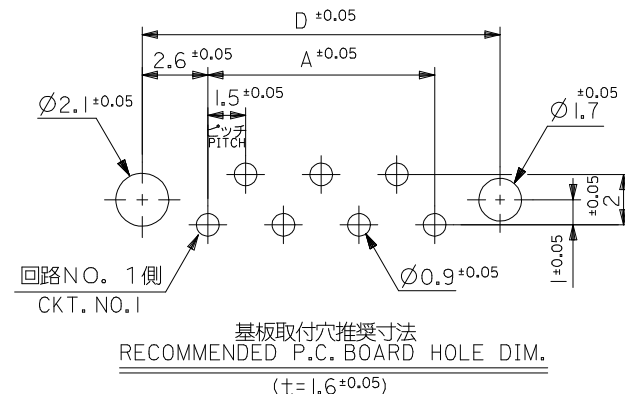
N/A

Use With

Top-coated Ribbon Cable

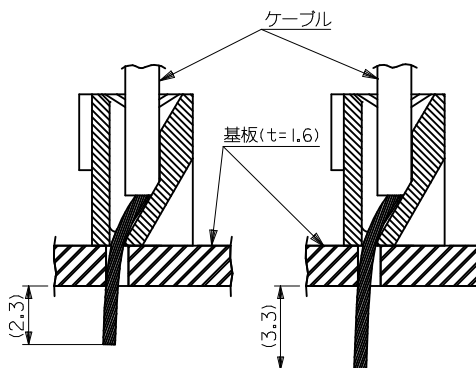
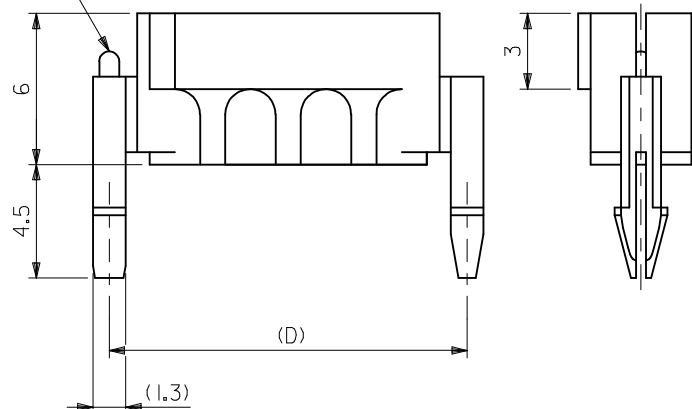


適合電線推奨寸法
APPLICABLE WIRE RECOMMENDED DIM.



基板取付穴推奨寸法
RECOMMENDED P.C. BOARD HOLE DIM.
(t=1.6±0.05)

回路NO. 1側
表示用突起
CKT. NO.1
EMBOSSED INDICATION



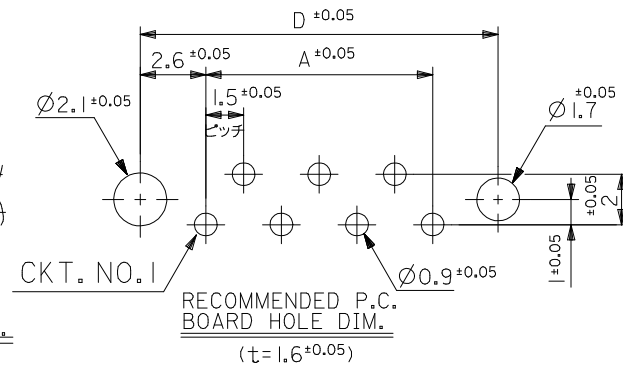
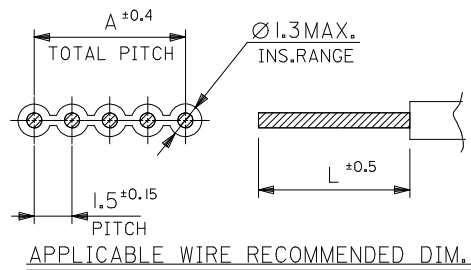
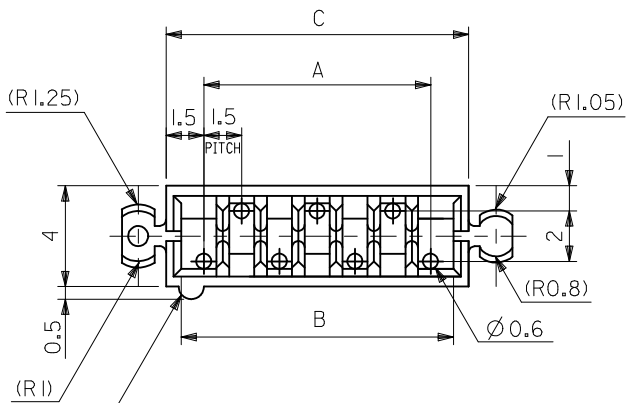
ストリップ長L=6mmのケーブルを挿入した場合
ストリップ長L=7mmのケーブルを挿入した場合
L=6mm STRIPPED CABLE INSERTION FIGURE
L=7mm STRIPPED CABLE INSERTION FIGURE

33.7	31.5	30.3	28.5	51016-2000	20
32.2	30	28.8	27	-1900	19
29.2	27	25.8	24	-1700	17
27.7	25.5	24.3	22.5	-1600	16
26.2	24	22.8	21	-1500	15
24.7	22.5	21.3	19.5	-1400	14
23.2	21	19.8	18	-1300	13
21.7	19.5	18.3	16.5	-1200	12
20.2	18	16.8	15	-1100	11
18.7	16.5	15.3	13.5	-1000	10
17.2	15	13.8	12	-0900	9
15.7	13.5	12.3	10.5	-0800	8
14.2	12	10.8	9	-0700	7
12.7	10.5	9.3	7.5	-0600	6
11.2	9	7.8	6	-0500	5
9.7	7.5	6.3	4.5	-0400	4
8.2	6	4.8	3	51016-0300	3
D	C	B	A	PLASTIC BAG	CIRCUIT
				ORDER No. オーダー番号	極数

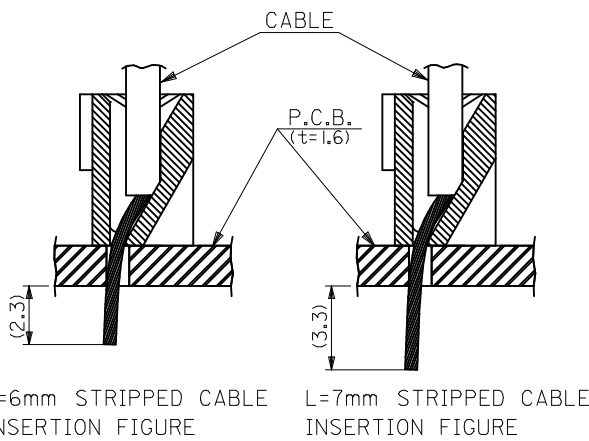
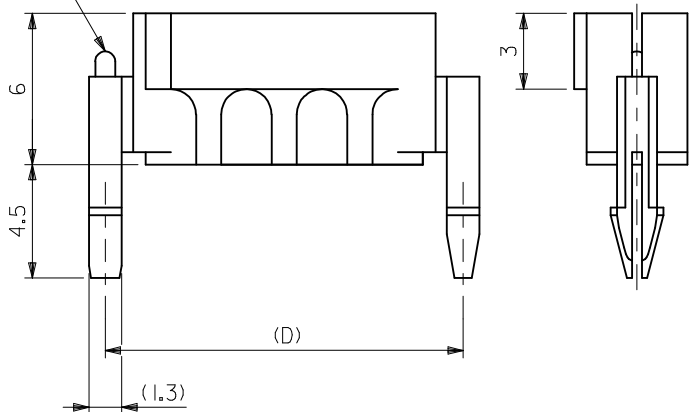
(注記)
(NOTES)

- 材質:MATERIAL
66ナイロン, UL 94V-2
NYLON66, UL94V-2
- 適用電線:APPLICABLE WIRE
1. 5mmピッチリボンケーブル。
1.5mm PITCH RIBON CABLE
(UL 2468, AWG#26 錫コート線)
(UL2468, AWG26 TIN TOP COAT WIRE)

REVISED EC NO: J2009-2177 DRAWN: CARIZONO 2009/04/08 CHKD: T. HARUYAMA 2009/04/09 APPR: NUKITA 2009/04/10	GENERAL TOLERANCES (UNLESS SPECIFIED)		DIMENSION STYLE MM ONLY		SCALE 5:1	DESIGN UNITS METRIC	THIRD ANGLE PROJECTION
	10 UNDER	±0.2	DRAWN BY C. ARIZONO	DATE '09/03/30	TITLE 1.5MM PITCH CABLE HOLDER(ST.)		
	10 OVER 30 UNDER	±0.25	CHECKED BY T. HARUYAMA	DATE '09/03/30	MOLEX INCORPORATED		
	30 OVER	±0.3	APPROVED BY N. UKITA	DATE '09/03/30	SD-51016-001		
REV	DESCRIPTION	ANGULAR ±3 °	MATERIAL NO.	SEE TABLE	DOCUMENT NO.	SHEET NO. 1 OF 1	
		DRAFT WHERE APPLICABLE MUST REMAIN WITHIN DIMENSIONS	SIZE A3	THIS DRAWING CONTAINS INFORMATION THAT IS PROPRIETARY TO MOLEX INCORPORATED AND SHOULD NOT BE USED WITHOUT WRITTEN PERMISSION			



CKT.NO.1 EMBOSSED INDICATION



29.2	27	25.8	24	51016-1700	17
27.7	25.5	24.3	22.5	-1600	16
26.2	24	22.8	21	-1500	15
24.7	22.5	21.3	19.5	-1400	14
23.2	21	19.8	18	-1300	13
21.7	19.5	18.3	16.5	-1200	12
20.2	18	16.8	15	-1100	11
18.7	16.5	15.3	13.5	-1000	10
17.2	15	13.8	12	-0900	9
15.7	13.5	12.3	10.5	-0800	8
14.2	12	10.8	9	-0700	7
12.7	10.5	9.3	7.5	-0600	6
11.2	9	7.8	6	-0500	5
9.7	7.5	6.3	4.5	-0400	4
8.2	6	4.8	3	51016-0300	3
D	C	B	A	PLASTIC BAG	CIRCUIT
				ORDER No. オーダー番号	極数

NOTES

- MATERIAL:66NYLON,UL94V-2
- APPLICABLE WIRE
1.5mm PITCH RIBBON CABLE
(UL2468,AWG#26 TIN TOP COAT WIRE)

REVISED EC NO: J2009-2177 DRWN:CARIZONO 2009/04/08 CHKD:T.HARUYAMA 2009/04/09 APPR:NUKITA 2009/04/10	GENERAL TOLERANCES (UNLESS SPECIFIED)		DIMENSION STYLE MM ONLY		SCALE ---	DESIGN UNITS METRIC	THIRD ANGLE PROJECTION
	10 UNDER	±0.2	DRAWN BY C.ARIZONO	DATE '09/03/30	TITLE 1.5MM PITCH CABLE HOLDER (ST.)(ENGLISH)		
	10 OVER 30 UNDER	±0.25	CHECKED BY T.HARUYAMA	DATE '09/03/30	MOLEX INCORPORATED		
	30 OVER	±0.3	APPROVED BY N.UKITA	DATE '09/03/30	DOCUMENT NO. SD-51016-002		
REV	DESCRIPTION	ANGULAR ±3 °	MATERIAL NO. SEE TABLE		SHEET NO. 1 OF 1		
		DRAFT WHERE APPLICABLE MUST REMAIN WITHIN DIMENSIONS	THIS DRAWING CONTAINS INFORMATION THAT IS PROPRIETARY TO MOLEX INCORPORATED AND SHOULD NOT BE USED WITHOUT WRITTEN PERMISSION				