

4412 FG

DC axial compact fan



ebm-papst St. Georgen GmbH & Co. KG

Hermann-Papst-Straße 1

D-78112 St. Georgen

Phone +49 7724 81-0

Fax +49 7724 81-1309

info2@de.ebmpapst.com

www.ebmpapst.com

Nominal data

Type	4412 FG	
Nominal voltage	VDC	12
Nominal voltage range	VDC	8 .. 12.6
Speed	min ⁻¹	2900
Power input	W	5.3
Min. ambient temperature	°C	-20
Max. ambient temperature	°C	60
Air flow	m ³ /h	170
Sound power level	B	5.3
Sound pressure level	dB(A)	43

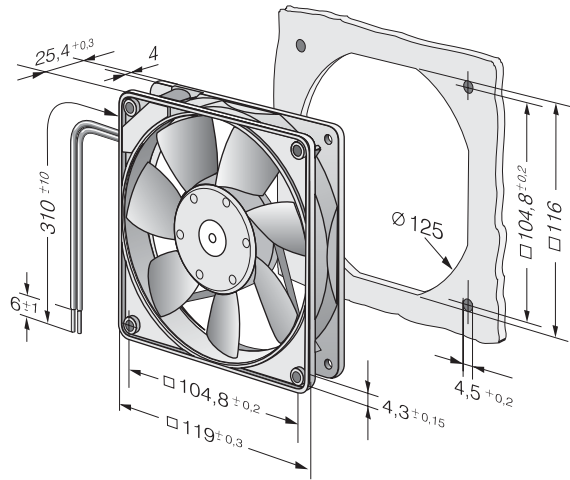
ml = max. load · me = max. efficiency · rfa = running at free air · cs = customer specs · cu = customer unit
Subject to alterations



Technical features

Dimensions	119 x 119 x 25 mm
General description	<p>Particular design features:</p> <ul style="list-style-type: none"> Ball bearings and sleeve bearings available. Open loop speed control on request. Tachometer and alarm on request. <p>General features:</p> <ul style="list-style-type: none"> Material: fibreglass-reinforced plastic. Impeller PA, housing PBT. Electronic commutation completely integrated. Protected against reverse polarity and locking. Connection via single strands AWG 24, TR 64, bared and tin-plated. Air exhaust over bars. Direction of rotation counter-clockwise seen on rotor. Mass: 175 g.
Connection line	Single strands AWG 24, TR 64, bared and tin-plated.
Locked-rotor protection	Blocking and overload protection
Direction of rotation	Left, looking at rotor
Direction of air flow	Air exhaust over bars
Bearing	Sintec sleeve bearing
Lifetime L10 at 40 °C	60000 h
Lifetime L10 at maximum temperature	37500 h
Mass	0.175 kg
Housing material	Fiberglass-reinforced PBT plastic
Material of impeller	Fiberglass-reinforced PA plastic
Motor protection	Protected against reverse polarity and locking.
Approval	VDE, CSA, UL, CE

Product drawing



Charts: Air flow

