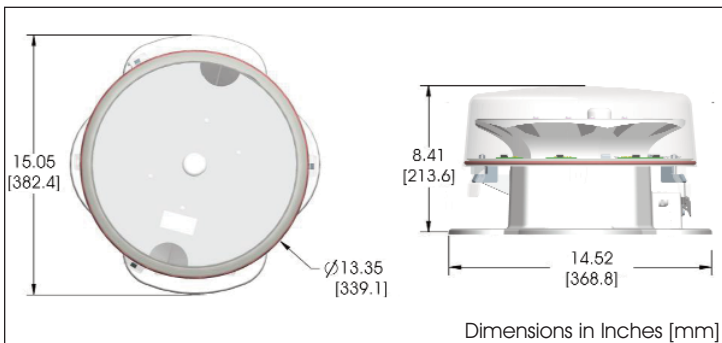




US Patent # 7,281,821  
Other Patents Pending

## SafeSite® L-864 Red LED Medium Intensity Beacon



### Application:

The Dialight SafeSite® L-864 Red LED Medium Intensity Beacon utilizes state-of-the-art optical design to achieve the most compact, efficient, FAA compliant L-864 device in the market. While it readily interfaces into existing installations, its robust, low power design will provide years of maintenance free service.

The SafeSite® L-864 Red LED Medium Intensity Beacon has extremely low RF interference and is ideal for the most difficult environments.

<b>Flashhead Weight:</b>	20 lbs (9.07 kg)
<b>Operating Voltage:</b>	120/240 VAC 50/60Hz universal input
<b>Candela:</b>	2,000 cd
<b>Wattage:</b>	20W (steady burn) 3.33W (16.7% duty cycle) 20 flashes per minute with 0.5 second on time
<b>Power Factor:</b>	>0.9
<b>Ambient Temp:</b>	-40°F to +131°F (-40°C to +55°C)
<b>Temperature Code:</b>	T5
<b>Synchronization:</b>	Multiple unit sync from single controller (Operates with other manufacturers of GPS sync devices)

### Certifications & Ratings:

- ▷ FAA Engineering Brief No. 67
- ▷ UL 1598
- ▷ UL 844
- ▷ Class I Division 2 Groups: A, B, C & D
- ▷ IP66 rated

### Qualified By :

- ▷ Intertek ETL

### Compliant to:

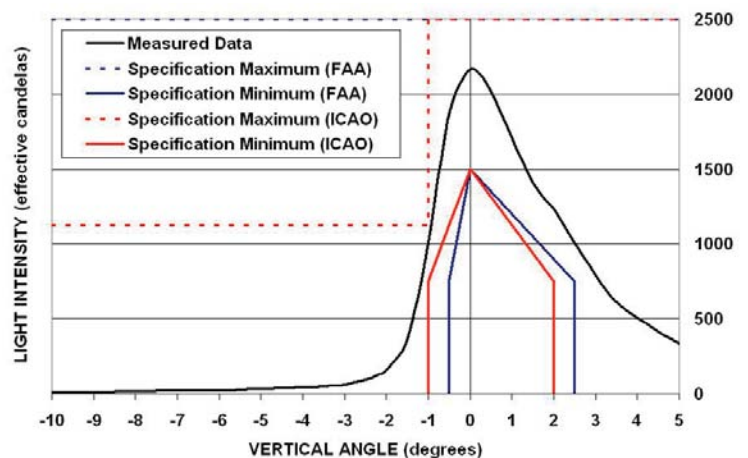
- ▷ ICAO Aerodromes Design Manual, Chapter 18
- ▷ ICAO Annex 14, 4th Edition, July 200
- ▷ Canadian Aviation Regulation CAR 621.1 (Transport Canada)

### Features & Benefits:

- ▷ Full performance 5 year warranty
- ▷ Resistant to shock and vibration
- ▷ Patented optic with sharp beam cutoff
- ▷ Minimum ground scatter (community friendly light pattern)
- ▷ High impact polycarbonate lens
- ▷ Specialized lens coating providing superior UV, scratch, and chemical resistance
- ▷ Rugged all metal mounting base
- ▷ Extremely low RF interference
- ▷ Light module detachable from base for easy replacement at end of life

### Order code:

Part Number	Description
D464B13001	Class I Div. 2 FAA certified beacon



Dialight reserves the right to make changes at any time in order to supply the best product possible.

The most current version of this document will always be available at:

[http://www.dialight.com/Assets/Brochures\\_And\\_Catalogs/Signaling/MDTF864CID2.pdf](http://www.dialight.com/Assets/Brochures_And_Catalogs/Signaling/MDTF864CID2.pdf)

MDTF864CID2\_A