



**CY7C1561KV18**  
**CY7C1576KV18**  
**CY7C1565KV18**

# 72-Mbit QDR<sup>®</sup> II+ SRAM 4-Word Burst Architecture (2.5 Cycle Read Latency)

## Features

- Separate independent read and write data ports
  - Supports concurrent transactions
- 550-MHz clock for high bandwidth
- Four-word burst for reducing address bus frequency
- Double data rate (DDR) Interfaces on both read and write ports (data transferred at 1100 MHz) at 550 MHz
- Available in 2.5-clock cycle latency
- Two input clocks (K and  $\bar{K}$ ) for precise DDR timing
  - SRAM uses rising edges only
- Echo clocks (CQ and  $\bar{CQ}$ ) simplify data capture in high speed systems
- Data valid pin (QVLD) to indicate valid data on the output
- Single multiplexed address input bus latches address inputs for read and write ports
- Separate port selects for depth expansion
- Synchronous internally self-timed writes
- Quad data rate (QDR<sup>®</sup>) II+ operates with 2.5-cycle read latency when DOFF is asserted HIGH
- Operates similar to QDR I device with one cycle read latency when DOFF is asserted LOW
- Available in ×8, ×9, and ×36 configurations
- Full data coherency, providing most current data
- Core  $V_{DD} = 1.8 V \pm 0.1 V$ ; I/O  $V_{DDQ} = 1.4 V$  to  $V_{DD}$  <sup>[1]</sup>
  - Supports both 1.5 V and 1.8 V I/O supply
- High-speed transceiver logic (HSTL) inputs and variable drive HSTL output buffers
- Available in 165-ball fine pitch ball grid array (FBGA) package (13 × 15 × 1.4 mm)
- Offered in both Pb-free and non Pb-free packages
- JTAG 1149.1 compatible test access port
- Phase-locked loop (PLL) for accurate data placement

## Selection Guide

| Description                 |     | 550 MHz | 500 MHz | 450 MHz | 400 MHz | Unit |
|-----------------------------|-----|---------|---------|---------|---------|------|
| Maximum operating frequency |     | 550     | 500     | 450     | 400     | MHz  |
| Maximum operating current   | ×8  | 900     | 830     | 760     | 690     | mA   |
|                             | ×9  | 900     | 830     | 760     | 690     |      |
|                             | ×36 | 1310    | 1210    | 1100    | 1000    |      |

**Note**

1. The Cypress QDR II+ devices surpass the QDR consortium specification and can support  $V_{DDQ} = 1.4 V$  to  $V_{DD}$ .

## Configurations

**With Read Cycle Latency of 2.5 cycles**

- CY7C1561KV18: 8M × 8
- CY7C1576KV18: 8M × 9
- CY7C1565KV18: 2M × 36

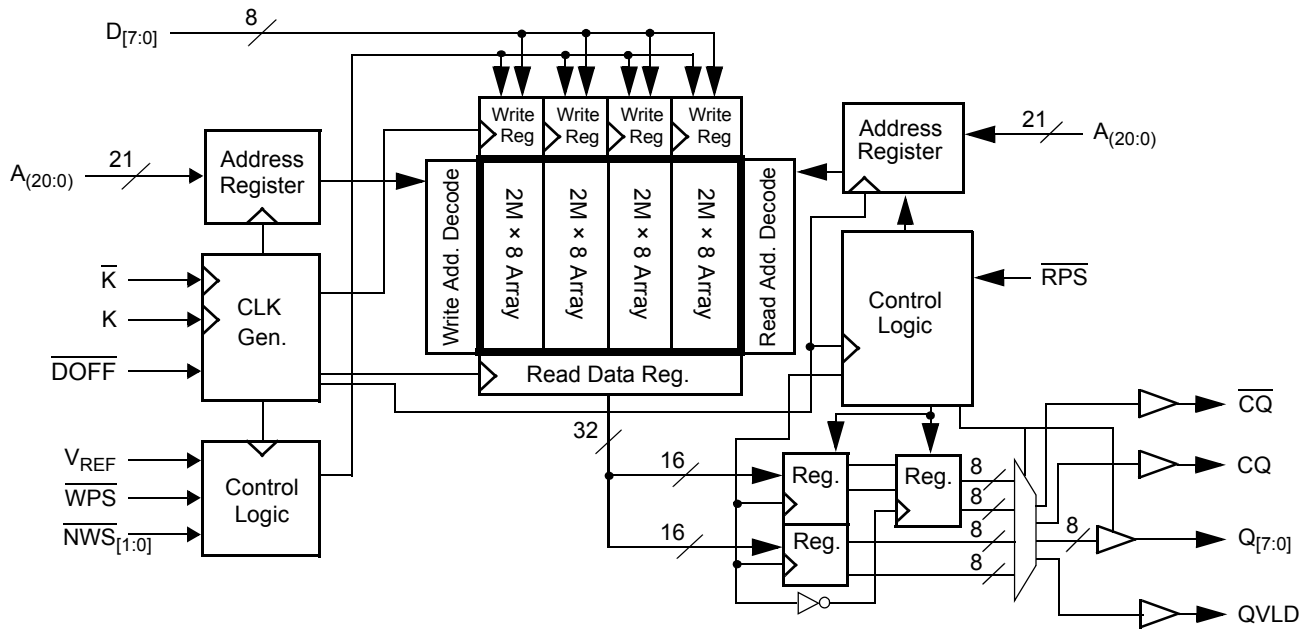
## Functional Description

The CY7C1561KV18, CY7C1576KV18, and CY7C1565KV18 are 1.8-V synchronous pipelined SRAMs, equipped with QDR II+ architecture. Similar to QDR II architecture, QDR II+ architecture consists of two separate ports: the read port and the write port to access the memory array. The read port has dedicated data outputs to support read operations and the write port has dedicated data inputs to support write operations. QDR II+ architecture has separate data inputs and data outputs to completely eliminate the need to “turnaround” the data bus that exists with common I/O devices. Each port is accessed through a common address bus. Addresses for read and write addresses are latched on alternate rising edges of the input (K) clock. Accesses to the QDR II+ read and write ports are completely independent of one another. To maximize data throughput, both read and write ports are equipped with DDR interfaces. Each address location is associated with four 8-bit words (CY7C1561KV18), 9-bit words (CY7C1576KV18), or 36-bit words (CY7C1565KV18) that burst sequentially into or out of the device. Because data is transferred into and out of the device on every rising edge of both input clocks (K and  $\bar{K}$ ), memory bandwidth is maximized while simplifying system design by eliminating bus “turnarounds”.

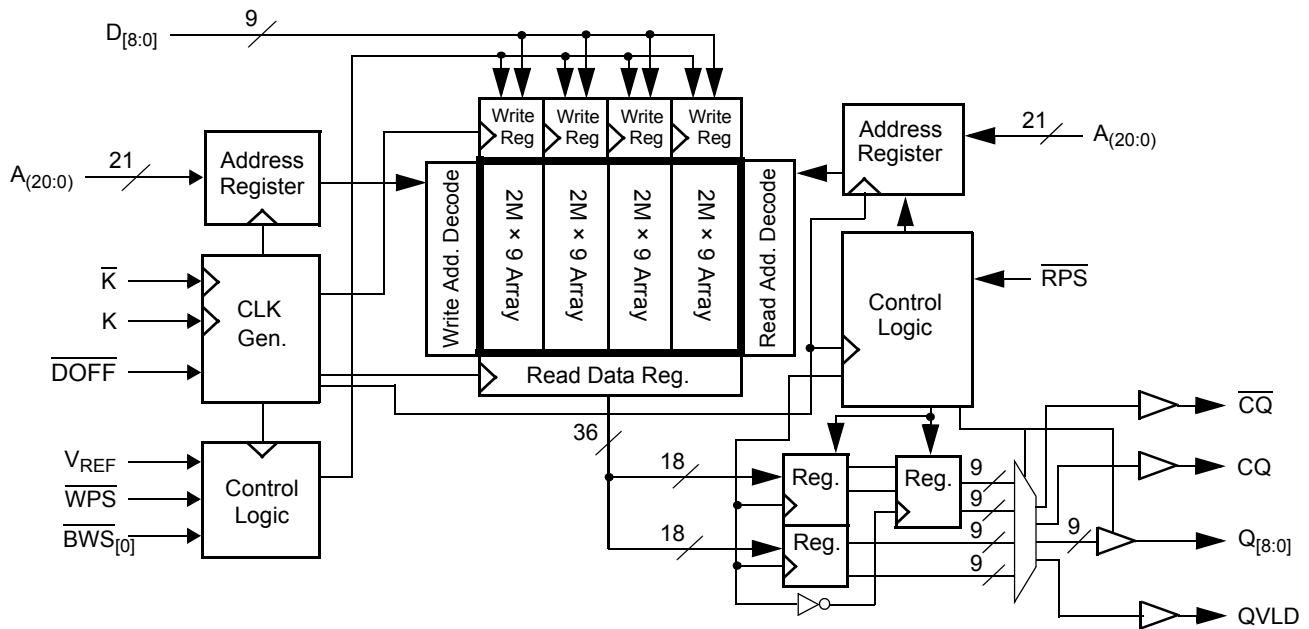
Depth expansion is accomplished with port selects, which enables each port to operate independently.

All synchronous inputs pass through input registers controlled by the K or  $\bar{K}$  input clocks. All data outputs pass through output registers controlled by the K or  $\bar{K}$  input clocks. Writes are conducted with on-chip synchronous self-timed write circuitry.

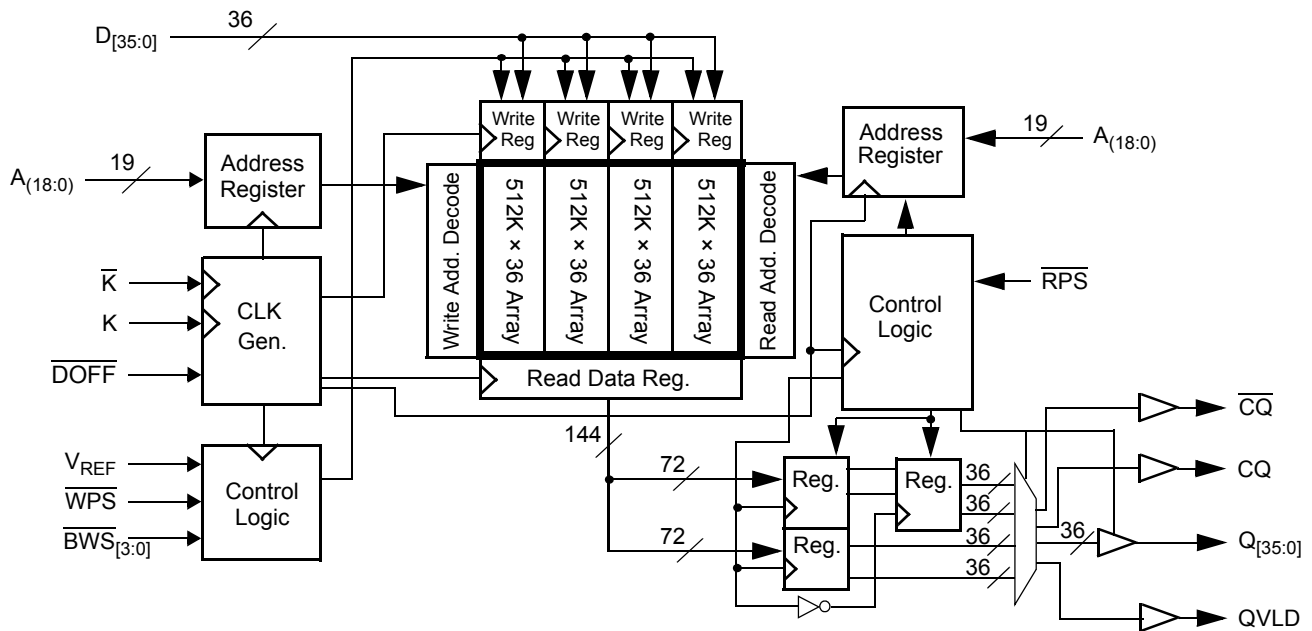
**Logic Block Diagram (CY7C1561KV18)**



**Logic Block Diagram (CY7C1576KV18)**



### Logic Block Diagram (CY7C1565KV18)



## Contents

|  |           |  |           |
|--|-----------|--|-----------|
| <b>Pin Configuration</b> .....                       | <b>5</b>  | <b>TAP AC Switching Characteristics</b> .....        | <b>17</b> |
| 165-Ball FBGA (13 × 15 × 1.4 mm) Pinout.....         | 5         | <b>TAP Timing and Test Conditions</b> .....          | <b>17</b> |
| <b>Pin Definitions</b> .....                         | <b>7</b>  | <b>Identification Register Definitions</b> .....     | <b>18</b> |
| <b>Functional Overview</b> .....                     | <b>9</b>  | <b>Scan Register Sizes</b> .....                     | <b>18</b> |
| Read Operations .....                                | 9         | <b>Instruction Codes</b> .....                       | <b>18</b> |
| Write Operations .....                               | 9         | <b>Boundary Scan Order</b> .....                     | <b>19</b> |
| Byte Write Operations .....                          | 9         | <b>Power-Up Sequence in QDR II+ SRAM</b> .....       | <b>20</b> |
| Concurrent Transactions .....                        | 9         | Power-Up Sequence .....                              | 20        |
| Depth Expansion .....                                | 10        | PLL Constraints .....                                | 20        |
| Programmable Impedance .....                         | 10        | <b>Maximum Ratings</b> .....                         | <b>21</b> |
| Echo Clocks .....                                    | 10        | <b>Operating Range</b> .....                         | <b>21</b> |
| Valid Data Indicator (QVLD).....                     | 10        | <b>Neutron Soft Error Immunity</b> .....             | <b>21</b> |
| PLL .....  | 10        | <b>Electrical Characteristics</b> .....              | <b>21</b> |
| <b>Application Example</b> .....                     | <b>10</b> | DC Electrical Characteristics .....                  | 21        |
| <b>Truth Table</b> .....                             | <b>11</b> | AC Electrical Characteristics .....                  | 22        |
| <b>Write Cycle Descriptions</b> .....                | <b>11</b> | <b>Capacitance</b> .....                             | <b>23</b> |
| <b>Write Cycle Descriptions</b> .....                | <b>12</b> | <b>Thermal Resistance</b> .....                      | <b>23</b> |
| <b>Write Cycle Descriptions</b> .....                | <b>12</b> | <b>Switching Characteristics</b> .....               | <b>24</b> |
| <b>IEEE 1149.1 Serial Boundary Scan (JTAG)</b> ..... | <b>13</b> | <b>Switching Waveforms</b> .....                     | <b>25</b> |
| Disabling the JTAG Feature .....                     | 13        | Read/Write/Deselect Sequence .....                   | 25        |
| Test Access Port—Test Clock.....                     | 13        | <b>Ordering Information</b> .....                    | <b>26</b> |
| Test Mode Select (TMS) .....                         | 13        | Ordering Code Definition .....                       | 26        |
| Test Data-In (TDI) .....                             | 13        | <b>Package Diagram</b> .....                         | <b>27</b> |
| Test Data-Out (TDO).....                             | 13        | <b>Acronyms</b> .....                                | <b>27</b> |
| Performing a TAP Reset .....                         | 13        | <b>Document History Page</b> .....                   | <b>28</b> |
| TAP Registers .....                                  | 13        | <b>Sales, Solutions, and Legal Information</b> ..... | <b>29</b> |
| TAP Instruction Set .....                            | 13        | Worldwide Sales and Design Support.....              | 29        |
| <b>TAP Controller State Diagram</b> .....            | <b>15</b> | Products .....                                       | 29        |
| <b>TAP Controller Block Diagram</b> .....            | <b>16</b> | PSoC Solutions .....                                 | 29        |
| <b>TAP Electrical Characteristics</b> .....          | <b>16</b> |  |           |

## Pin Configuration

### 165-Ball FBGA (13 × 15 × 1.4 mm) Pinout

#### CY7C1561KV18 (8M × 8)

|          | 1                        | 2                | 3                | 4                       | 5                         | 6                     | 7                         | 8                       | 9                | 10               | 11  |
|----------|--------------------------|------------------|------------------|-------------------------|---------------------------|-----------------------|---------------------------|-------------------------|------------------|------------------|-----|
| <b>A</b> | $\overline{\text{CQ}}$   | A                | A                | $\overline{\text{WPS}}$ | $\overline{\text{NWS}}_1$ | $\overline{\text{K}}$ | NC/144M                   | $\overline{\text{RPS}}$ | A                | A                | CQ  |
| <b>B</b> | NC                       | NC               | NC               | A                       | NC/288M                   | K                     | $\overline{\text{NWS}}_0$ | A                       | NC               | NC               | Q3  |
| <b>C</b> | NC                       | NC               | NC               | V <sub>SS</sub>         | A                         | NC                    | A                         | V <sub>SS</sub>         | NC               | NC               | D3  |
| <b>D</b> | NC                       | D4               | NC               | V <sub>SS</sub>         | V <sub>SS</sub>           | V <sub>SS</sub>       | V <sub>SS</sub>           | V <sub>SS</sub>         | NC               | NC               | NC  |
| <b>E</b> | NC                       | NC               | Q4               | V <sub>DDQ</sub>        | V <sub>SS</sub>           | V <sub>SS</sub>       | V <sub>SS</sub>           | V <sub>DDQ</sub>        | NC               | D2               | Q2  |
| <b>F</b> | NC                       | NC               | NC               | V <sub>DDQ</sub>        | V <sub>DD</sub>           | V <sub>SS</sub>       | V <sub>DD</sub>           | V <sub>DDQ</sub>        | NC               | NC               | NC  |
| <b>G</b> | NC                       | D5               | Q5               | V <sub>DDQ</sub>        | V <sub>DD</sub>           | V <sub>SS</sub>       | V <sub>DD</sub>           | V <sub>DDQ</sub>        | NC               | NC               | NC  |
| <b>H</b> | $\overline{\text{DOFF}}$ | V <sub>REF</sub> | V <sub>DDQ</sub> | V <sub>DDQ</sub>        | V <sub>DD</sub>           | V <sub>SS</sub>       | V <sub>DD</sub>           | V <sub>DDQ</sub>        | V <sub>DDQ</sub> | V <sub>REF</sub> | ZQ  |
| <b>J</b> | NC                       | NC               | NC               | V <sub>DDQ</sub>        | V <sub>DD</sub>           | V <sub>SS</sub>       | V <sub>DD</sub>           | V <sub>DDQ</sub>        | NC               | Q1               | D1  |
| <b>K</b> | NC                       | NC               | NC               | V <sub>DDQ</sub>        | V <sub>DD</sub>           | V <sub>SS</sub>       | V <sub>DD</sub>           | V <sub>DDQ</sub>        | NC               | NC               | NC  |
| <b>L</b> | NC                       | Q6               | D6               | V <sub>DDQ</sub>        | V <sub>SS</sub>           | V <sub>SS</sub>       | V <sub>SS</sub>           | V <sub>DDQ</sub>        | NC               | NC               | Q0  |
| <b>M</b> | NC                       | NC               | NC               | V <sub>SS</sub>         | V <sub>SS</sub>           | V <sub>SS</sub>       | V <sub>SS</sub>           | V <sub>SS</sub>         | NC               | NC               | D0  |
| <b>N</b> | NC                       | D7               | NC               | V <sub>SS</sub>         | A                         | A                     | A                         | V <sub>SS</sub>         | NC               | NC               | NC  |
| <b>P</b> | NC                       | NC               | Q7               | A                       | A                         | QVLD                  | A                         | A                       | NC               | NC               | NC  |
| <b>R</b> | TDO                      | TCK              | A                | A                       | A                         | NC                    | A                         | A                       | A                | TMS              | TDI |

#### CY7C1576KV18 (8M × 9)

|          | 1                        | 2                | 3                | 4                       | 5               | 6                     | 7                         | 8                       | 9                | 10               | 11  |
|----------|--------------------------|------------------|------------------|-------------------------|-----------------|-----------------------|---------------------------|-------------------------|------------------|------------------|-----|
| <b>A</b> | $\overline{\text{CQ}}$   | A                | A                | $\overline{\text{WPS}}$ | NC              | $\overline{\text{K}}$ | NC/144M                   | $\overline{\text{RPS}}$ | A                | A                | CQ  |
| <b>B</b> | NC                       | NC               | NC               | A                       | NC/288M         | K                     | $\overline{\text{BWS}}_0$ | A                       | NC               | NC               | Q4  |
| <b>C</b> | NC                       | NC               | NC               | V <sub>SS</sub>         | A               | NC                    | A                         | V <sub>SS</sub>         | NC               | NC               | D4  |
| <b>D</b> | NC                       | D5               | NC               | V <sub>SS</sub>         | V <sub>SS</sub> | V <sub>SS</sub>       | V <sub>SS</sub>           | V <sub>SS</sub>         | NC               | NC               | NC  |
| <b>E</b> | NC                       | NC               | Q5               | V <sub>DDQ</sub>        | V <sub>SS</sub> | V <sub>SS</sub>       | V <sub>SS</sub>           | V <sub>DDQ</sub>        | NC               | D3               | Q3  |
| <b>F</b> | NC                       | NC               | NC               | V <sub>DDQ</sub>        | V <sub>DD</sub> | V <sub>SS</sub>       | V <sub>DD</sub>           | V <sub>DDQ</sub>        | NC               | NC               | NC  |
| <b>G</b> | NC                       | D6               | Q6               | V <sub>DDQ</sub>        | V <sub>DD</sub> | V <sub>SS</sub>       | V <sub>DD</sub>           | V <sub>DDQ</sub>        | NC               | NC               | NC  |
| <b>H</b> | $\overline{\text{DOFF}}$ | V <sub>REF</sub> | V <sub>DDQ</sub> | V <sub>DDQ</sub>        | V <sub>DD</sub> | V <sub>SS</sub>       | V <sub>DD</sub>           | V <sub>DDQ</sub>        | V <sub>DDQ</sub> | V <sub>REF</sub> | ZQ  |
| <b>J</b> | NC                       | NC               | NC               | V <sub>DDQ</sub>        | V <sub>DD</sub> | V <sub>SS</sub>       | V <sub>DD</sub>           | V <sub>DDQ</sub>        | NC               | Q2               | D2  |
| <b>K</b> | NC                       | NC               | NC               | V <sub>DDQ</sub>        | V <sub>DD</sub> | V <sub>SS</sub>       | V <sub>DD</sub>           | V <sub>DDQ</sub>        | NC               | NC               | NC  |
| <b>L</b> | NC                       | Q7               | D7               | V <sub>DDQ</sub>        | V <sub>SS</sub> | V <sub>SS</sub>       | V <sub>SS</sub>           | V <sub>DDQ</sub>        | NC               | NC               | Q1  |
| <b>M</b> | NC                       | NC               | NC               | V <sub>SS</sub>         | V <sub>SS</sub> | V <sub>SS</sub>       | V <sub>SS</sub>           | V <sub>SS</sub>         | NC               | NC               | D1  |
| <b>N</b> | NC                       | D8               | NC               | V <sub>SS</sub>         | A               | A                     | A                         | V <sub>SS</sub>         | NC               | NC               | NC  |
| <b>P</b> | NC                       | NC               | Q8               | A                       | A               | QVLD                  | A                         | A                       | NC               | D0               | Q0  |
| <b>R</b> | TDO                      | TCK              | A                | A                       | A               | NC                    | A                         | A                       | A                | TMS              | TDI |

**Note**

2. NC/144M and NC/288M are not connected to the die and can be tied to any voltage level.

**165-Ball FBGA (13 × 15 × 1.4 mm) Pinout**

**CY7C1565KV18 (2M × 36)**

|          | 1                        | 2         | 3         | 4                       | 5                         | 6                     | 7                         | 8                       | 9         | 10        | 11  |
|----------|--------------------------|-----------|-----------|-------------------------|---------------------------|-----------------------|---------------------------|-------------------------|-----------|-----------|-----|
| <b>A</b> | $\overline{\text{CQ}}$   | NC/288M   | A         | $\overline{\text{WPS}}$ | $\overline{\text{BWS}}_2$ | $\overline{\text{K}}$ | $\overline{\text{BWS}}_1$ | $\overline{\text{RPS}}$ | A         | NC/144M   | CQ  |
| <b>B</b> | Q27                      | Q18       | D18       | A                       | $\overline{\text{BWS}}_3$ | K                     | $\overline{\text{BWS}}_0$ | A                       | D17       | Q17       | Q8  |
| <b>C</b> | D27                      | Q28       | D19       | $V_{SS}$                | A                         | NC                    | A                         | $V_{SS}$                | D16       | Q7        | D8  |
| <b>D</b> | D28                      | D20       | Q19       | $V_{SS}$                | $V_{SS}$                  | $V_{SS}$              | $V_{SS}$                  | $V_{SS}$                | Q16       | D15       | D7  |
| <b>E</b> | Q29                      | D29       | Q20       | $V_{DDQ}$               | $V_{SS}$                  | $V_{SS}$              | $V_{SS}$                  | $V_{DDQ}$               | Q15       | D6        | Q6  |
| <b>F</b> | Q30                      | Q21       | D21       | $V_{DDQ}$               | $V_{DD}$                  | $V_{SS}$              | $V_{DD}$                  | $V_{DDQ}$               | D14       | Q14       | Q5  |
| <b>G</b> | D30                      | D22       | Q22       | $V_{DDQ}$               | $V_{DD}$                  | $V_{SS}$              | $V_{DD}$                  | $V_{DDQ}$               | Q13       | D13       | D5  |
| <b>H</b> | $\overline{\text{DOFF}}$ | $V_{REF}$ | $V_{DDQ}$ | $V_{DDQ}$               | $V_{DD}$                  | $V_{SS}$              | $V_{DD}$                  | $V_{DDQ}$               | $V_{DDQ}$ | $V_{REF}$ | ZQ  |
| <b>J</b> | D31                      | Q31       | D23       | $V_{DDQ}$               | $V_{DD}$                  | $V_{SS}$              | $V_{DD}$                  | $V_{DDQ}$               | D12       | Q4        | D4  |
| <b>K</b> | Q32                      | D32       | Q23       | $V_{DDQ}$               | $V_{DD}$                  | $V_{SS}$              | $V_{DD}$                  | $V_{DDQ}$               | Q12       | D3        | Q3  |
| <b>L</b> | Q33                      | Q24       | D24       | $V_{DDQ}$               | $V_{SS}$                  | $V_{SS}$              | $V_{SS}$                  | $V_{DDQ}$               | D11       | Q11       | Q2  |
| <b>M</b> | D33                      | Q34       | D25       | $V_{SS}$                | $V_{SS}$                  | $V_{SS}$              | $V_{SS}$                  | $V_{SS}$                | D10       | Q1        | D2  |
| <b>N</b> | D34                      | D26       | Q25       | $V_{SS}$                | A                         | A                     | A                         | $V_{SS}$                | Q10       | D9        | D1  |
| <b>P</b> | Q35                      | D35       | Q26       | A                       | A                         | QVLD                  | A                         | A                       | Q9        | D0        | Q0  |
| <b>R</b> | TDO                      | TCK       | A         | A                       | A                         | NC                    | A                         | A                       | A         | TMS       | TDI |

## Pin Definitions

| Pin Name   | I/O                    | Pin Description  |
|--|------------------------|--|
| D <sub>[x:0]</sub>   | Input-Synchronous      | Data input signals. Sampled on the rising edge of K and $\bar{K}$ clocks when valid write operations are active.<br>CY7C1561KV18 – D <sub>[7:0]</sub><br>CY7C1576KV18 – D <sub>[8:0]</sub><br>CY7C1563KV18 – D <sub>[17:0]</sub><br>CY7C1565KV18 – D <sub>[35:0]</sub>   |
| WPS  | Input-Synchronous      | Write port select – Active LOW. Sampled on the rising edge of the K clock. When asserted active, a write operation is initiated. Deasserting deselected the write port. Deselecting the write port ignores D <sub>[x:0]</sub> .  |
| NWS <sub>0</sub> ,<br>NWS <sub>1</sub>   | Input-Synchronous      | Nibble write select 0, 1 – Active LOW (CY7C1561KV18 Only). Sampled on the rising edge of the K and $\bar{K}$ clocks when write operations are active. Used to select which nibble is written into the device during the current portion of the write operations. NWS <sub>0</sub> controls D <sub>[3:0]</sub> and NWS <sub>1</sub> controls D <sub>[7:4]</sub> . All the Nibble Write Selects are sampled on the same edge as the data. Deselecting a Nibble Write Select ignores the corresponding nibble of data and it is not written into the device.  |
| $\overline{BWS}_0$ ,<br>$\overline{BWS}_1$ ,<br>$\overline{BWS}_2$ ,<br>$\overline{BWS}_3$ | Input-Synchronous      | Byte write select (BWS) 0, 1, 2, and 3 – Active LOW. Sampled on the rising edge of the K and $\bar{K}$ clocks when write operations are active. Used to select which byte is written into the device during the current portion of the write operations. Bytes not written remain unaltered.<br>CY7C1576KV18 – $\overline{BWS}_0$ controls D <sub>[8:0]</sub><br>CY7C1563KV18 – $\overline{BWS}_0$ controls D <sub>[8:0]</sub> and $\overline{BWS}_1$ controls D <sub>[17:9]</sub> .<br>CY7C1565KV18 – $\overline{BWS}_0$ controls D <sub>[8:0]</sub> , $\overline{BWS}_1$ controls D <sub>[17:9]</sub> ,<br>$\overline{BWS}_2$ controls D <sub>[26:18]</sub> and $\overline{BWS}_3$ controls D <sub>[35:27]</sub> .<br>All the byte write selects are sampled on the same edge as the data. Deselecting a BWS ignores the corresponding byte of data and it is not written into the device. |
| A  | Input-Synchronous      | Address inputs. Sampled on the rising edge of the K clock during active read and write operations. These address inputs are multiplexed for both read and write operations. Internally, the device is organized as 8M × 8 (4 arrays each of 2M × 8) for CY7C1561KV18, 8M × 9 (4 arrays each of 2M × 9) for CY7C1576KV18, 4M × 18 (4 arrays each of 1M × 18) for CY7C1563KV18 and 2M × 36 (4 arrays each of 512K × 36) for CY7C1565KV18. Therefore, only 21 address inputs are needed to access the entire memory array of CY7C1561KV18 and CY7C1576KV18, 20 address inputs for CY7C1563KV18 and 19 address inputs for CY7C1565KV18. These inputs are ignored when the appropriate port is deselected.  |
| Q <sub>[x:0]</sub>   | Outputs-Synchronous    | Data output signals. These pins drive out the requested data when the read operation is active. Valid data is driven out on the rising edge of the K and $\bar{K}$ clocks during read operations. On deselecting the read port, Q <sub>[x:0]</sub> are automatically tri-stated.<br>CY7C1561KV18 – Q <sub>[7:0]</sub><br>CY7C1576KV18 – Q <sub>[8:0]</sub><br>CY7C1563KV18 – Q <sub>[17:0]</sub><br>CY7C1565KV18 – Q <sub>[35:0]</sub>   |
| $\overline{RPS}$   | Input-Synchronous      | Read port select – Active LOW. Sampled on the rising edge of positive input clock (K). When active, a read operation is initiated. Deasserting deselected the read port. When deselected, the pending access is allowed to complete and the output drivers are automatically tri-stated following the next rising edge of the $\bar{K}$ clock. Each read access consists of a burst of four sequential transfers.  |
| QVLD   | Valid output indicator | Valid output indicator. The Q Valid indicates valid output data. QVLD is edge aligned with CQ and $\overline{CQ}$ .  |
| K  | Input Clock            | Positive input clock input. The rising edge of K is used to capture synchronous inputs to the device and to drive out data through Q <sub>[x:0]</sub> . All accesses are initiated on the rising edge of K.  |
| $\bar{K}$  | Input Clock            | Negative input clock input. $\bar{K}$ is used to capture synchronous inputs being presented to the device and to drive out data through Q <sub>[x:0]</sub> .   |
| CQ   | Echo Clock             | Synchronous echo clock outputs. This is a free running clock and is synchronized to the input clock (K) of the QDR II+. The timings for the echo clocks are shown in the <a href="#">Switching Characteristics</a> on page 24.   |
| $\overline{CQ}$  | Echo Clock             | Synchronous echo clock outputs. This is a free running clock and is synchronized to the input clock ( $\bar{K}$ ) of the QDR II+. The timings for the echo clocks are shown in the <a href="#">Switching Characteristics</a> on page 24.   |
| ZQ   | Input                  | Output impedance matching input. This input is used to tune the device outputs to the system data bus impedance. CQ, $\overline{CQ}$ , and Q <sub>[x:0]</sub> output impedance are set to 0.2 × RQ, where RQ is a resistor connected between ZQ and ground. Alternatively, this pin can be connected directly to V <sub>DDQ</sub> , which enables the minimum impedance mode. This pin cannot be connected directly to GND or left unconnected.  |

**Pin Definitions** (continued)

| Pin Name         | I/O             | Pin Description  |
|------------------|-----------------|--|
| DOFF             | Input           | PLL turn-off – Active LOW. Connecting this pin to ground turns off the PLL inside the device. The timings in the PLL turned off operation differs from those listed in this datasheet. For normal operation, this pin can be connected to a pull-up through a 10 K $\Omega$ or less pull-up resistor. The device behaves in QDR I mode when the PLL is turned off. In this mode, the device can be operated at a frequency of up to 167 MHz with QDR I timing. |
| TDO              | Output          | Test data out (TDO) for JTAG   |
| TCK              | Input           | Test clock (TCK) pin for JTAG  |
| TDI              | Input           | Test data in (TDI) pin for JTAG  |
| TMS              | Input           | Test mode select (TMS) pin for JTAG  |
| NC               | N/A             | Not Connected to the die. Can be tied to any voltage level.  |
| NC/144M          | N/A             | Not Connected to the die. Can be tied to any voltage level.  |
| NC/288M          | N/A             | Not Connected to the die. Can be tied to any voltage level.  |
| V <sub>REF</sub> | Input-Reference | Reference voltage input. Static input used to set the reference level for HSTL inputs, outputs, and AC measurement points.   |
| V <sub>DD</sub>  | Power Supply    | Power supply inputs to the core of the device  |
| V <sub>SS</sub>  | Ground          | Ground for the device  |
| V <sub>DDQ</sub> | Power Supply    | Power supply inputs for the outputs of the device  |



## Functional Overview

The CY7C1561KV18, CY7C1576KV18, CY7C1565KV18 are synchronous pipelined Burst SRAMs equipped with a read port and a write port. The read port is dedicated to read operations and the write port is dedicated to write operations. Data flows into the SRAM through the write port and flows out through the read port. These devices multiplex the address inputs to minimize the number of address pins required. By having separate read and write ports, the QDR II+ completely eliminates the need to “turnaround” the data bus and avoids any possible data contention, thereby simplifying system design. Each access consists of four 8-bit data transfers in the case of CY7C1561KV18, four 9-bit data transfers in the case of CY7C1576KV18, and four 36-bit data transfers in the case of CY7C1565KV18, in two clock cycles.

These devices operate with a read latency of two and half cycles when  $\overline{\text{DOFF}}$  pin is tied HIGH. When  $\overline{\text{DOFF}}$  pin is set LOW or connected to  $V_{\text{SS}}$  then device behaves in QDR I mode with a read latency of one clock cycle.

Accesses for both ports are initiated on the positive input clock (K). All synchronous input and output timing are referenced from the rising edge of the input clocks (K and  $\overline{\text{K}}$ ).

All synchronous data inputs ( $D_{[x:0]}$ ) pass through input registers controlled by the input clocks (K and  $\overline{\text{K}}$ ). All synchronous data outputs ( $Q_{[x:0]}$ ) outputs pass through output registers controlled by the rising edge of the input clocks (K and  $\overline{\text{K}}$ ) as well.

All synchronous control ( $\overline{\text{RPS}}$ ,  $\overline{\text{WPS}}$ ,  $\overline{\text{NWS}}_{[x:0]}$ ,  $\overline{\text{BWS}}_{[x:0]}$ ) inputs pass through input registers controlled by the rising edge of the input clocks (K and  $\overline{\text{K}}$ ).

CY7C1565KV18 is described in the following sections. The same basic descriptions apply to CY7C1561KV18, and CY7C1576KV18.

### Read Operations

The CY7C1565KV18 is organized internally as four arrays of  $512\text{K} \times 36$ . Accesses are completed in a burst of four sequential 36-bit data words. Read operations are initiated by asserting RPS active at the rising edge of the positive input clock (K). The address presented to the address inputs is stored in the read address register. Following the next two K clock rise, the corresponding lowest order 36-bit word of data is driven onto the  $Q_{[35:0]}$  using  $\overline{\text{K}}$  as the output timing reference. On the subsequent rising edge of K, the next 36-bit data word is driven onto the  $Q_{[35:0]}$ . This process continues until all four 36-bit data words have been driven out onto  $Q_{[35:0]}$ . The requested data is valid 0.45 ns from the rising edge of the input clock (K or  $\overline{\text{K}}$ ). To maintain the internal logic, each read access must be allowed to complete. Each read access consists of four 36-bit data words and takes two clock cycles to complete. Therefore, read accesses to the device can not be initiated on two consecutive K clock rises. The internal logic of the device ignores the second read request. Read accesses can be initiated on every other K clock rise. Doing so pipelines the data flow such that data is transferred out of the device on every rising edge of the input clocks (K and  $\overline{\text{K}}$ ).

When the read port is deselected, the CY7C1565KV18 first completes the pending read transactions. Synchronous internal circuitry automatically tri-states the outputs following the next

rising edge of the negative input clock ( $\overline{\text{K}}$ ). This enables for a seamless transition between devices without the insertion of wait states in a depth expanded memory.

### Write Operations

Write operations are initiated by asserting  $\overline{\text{WPS}}$  active at the rising edge of the positive input clock (K). On the following K clock rise the data presented to  $D_{[35:0]}$  is latched and stored into the lower 36-bit write data register, provided  $\overline{\text{BWS}}_{[3:0]}$  are both asserted active. On the subsequent rising edge of the negative input clock ( $\overline{\text{K}}$ ) the information presented to  $D_{[35:0]}$  is also stored into the write data register, provided  $\overline{\text{BWS}}_{[3:0]}$  are both asserted active. This process continues for one more cycle until four 36-bit words (a total of 144 bits) of data are stored in the SRAM. The 144 bits of data are then written into the memory array at the specified location. Therefore, write accesses to the device can not be initiated on two consecutive K clock rises. The internal logic of the device ignores the second write request. Write accesses can be initiated on every other rising edge of the positive input clock (K). Doing so pipelines the data flow such that 36 bits of data can be transferred into the device on every rising edge of the input clocks (K and  $\overline{\text{K}}$ ).

When deselected, the write port ignores all inputs after the pending write operations have been completed.

### Byte Write Operations

Byte write operations are supported by the CY7C1565KV18. A write operation is initiated as described in the [Write Operations section](#). The bytes that are written are determined by  $\overline{\text{BWS}}_0$ ,  $\overline{\text{BWS}}_1$ ,  $\overline{\text{BWS}}_2$ , and  $\overline{\text{BWS}}_3$  which are sampled with each set of 36-bit data words. Asserting the appropriate Byte Write Select input during the data portion of a write latches the data being presented and writes it into the device. Deasserting the Byte Write Select input during the data portion of a write enables the data stored in the device for that byte to remain unaltered. This feature can be used to simplify read, modify, or write operations to a byte write operation.

### Concurrent Transactions

The read and write ports on the CY7C1565KV18 operates completely independently of one another. As each port latches the address inputs on different clock edges, the user can read or write to any location, regardless of the transaction on the other port. If the ports access the same location when a read follows a write in successive clock cycles, the SRAM delivers the most recent information associated with the specified address location. This includes forwarding data from a write cycle that was initiated on the previous K clock rise.

Read access and write access must be scheduled such that one transaction is initiated on any clock cycle. If both ports are selected on the same K clock rise, the arbitration depends on the previous state of the SRAM. If both ports are deselected, the read port takes priority. If a read was initiated on the previous cycle, the write port takes priority (as read operations cannot be initiated on consecutive cycles). If a write was initiated on the previous cycle, the read port takes priority (as write operations can not be initiated on consecutive cycles). Therefore, asserting both port selects active from a deselected state results in alternating read or write operations being initiated, with the first access being a read.

### Depth Expansion

The CY7C1565KV18 has a port select input for each port. This enables for easy depth expansion. Both port selects are sampled on the rising edge of the positive input clock only (K). Each port select input can deselect the specified port. Deselecting a port does not affect the other port. All pending transactions (read and write) are completed before the device is deselected.

### Programmable Impedance

An external resistor, RQ, must be connected between the ZQ pin on the SRAM and V<sub>SS</sub> to allow the SRAM to adjust its output driver impedance. The value of RQ must be 5X the value of the intended line impedance driven by the SRAM, the allowable range of RQ to guarantee impedance matching with a tolerance of ±15% is between 175 Ω and 350 Ω, with V<sub>DDQ</sub> = 1.5 V. The output impedance is adjusted every 1024 cycles upon power-up to account for drifts in supply voltage and temperature.

### Echo Clocks

Echo clocks are provided on the QDR II+ to simplify data capture on high-speed systems. Two echo clocks are generated by the QDR II+. CQ is referenced with respect to K and CQ̄ is referenced with respect to K̄. These are free running clocks and are synchronized to the input clock of the QDR II+. The timing for the echo clocks is shown in [Switching Characteristics](#) on page 24.

### Valid Data Indicator (QVLD)

QVLD is provided on the QDR II+ to simplify data capture on high speed systems. The QVLD is generated by the QDR II+ device along with data output. This signal is also edge-aligned with the echo clock and follows the timing of any data pin. This signal is asserted half a cycle before valid data arrives.

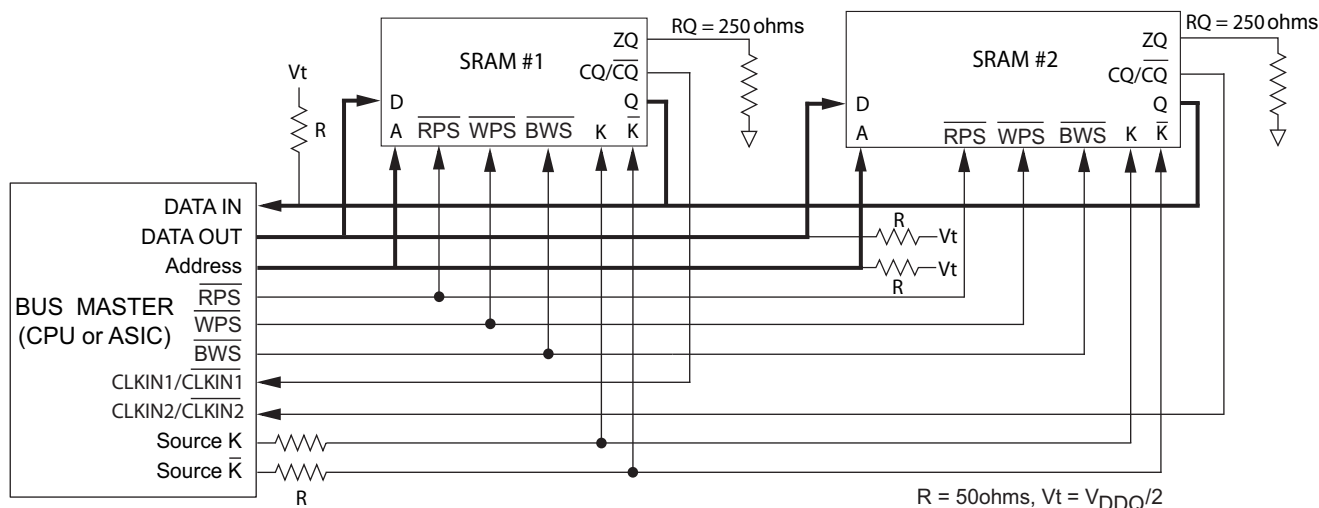
### PLL

These chips use a PLL that is designed to function between 120 MHz and the specified maximum clock frequency. During power-up, when the D<sub>OFF</sub> is tied HIGH, the PLL is locked after 20 μs of stable clock. The PLL can also be reset by slowing or stopping the input clocks K and K̄ for a minimum of 30 ns. However, it is not necessary to reset the PLL to lock to the desired frequency. The PLL automatically locks 20 μs after a stable clock is presented. The PLL may be disabled by applying ground to the D<sub>OFF</sub> pin. When the PLL is turned off, the device behaves in QDR I mode (with one cycle latency and a longer access time). For information, refer to the application note, *PLL Considerations in QDR II/DDR II/QDR II+/DDR II+*.

### Application Example

Figure 1 shows two QDR II+ used in an application.

Figure 1. Application Example



## Truth Table

The truth table for CY7C1561KV18, CY7C1576KV18, and CY7C1565KV18 follows. [3, 4, 5, 6, 7, 8]

| Operation  | K       | RPS               | WPS               | DQ                               | DQ                                   | DQ                                   | DQ                                   |
|--|---------|-------------------|-------------------|----------------------------------|--------------------------------------|--------------------------------------|--------------------------------------|
| Write cycle:<br>Load address on the rising edge of K; input write data on two consecutive K and $\bar{K}$ rising edges.  | L-H     | H <sup>[9]</sup>  | L <sup>[10]</sup> | D(A) at K(t + 1) $\uparrow$      | D(A + 1) at $\bar{K}(t + 1)\uparrow$ | D(A + 2) at K(t + 2) $\uparrow$      | D(A + 3) at $\bar{K}(t + 2)\uparrow$ |
| Read cycle:<br>(2.5 cycle Latency)<br>Load address on the rising edge of K; wait two and half cycles; read data on two consecutive $\bar{K}$ and K rising edges. | L-H     | L <sup>[10]</sup> | x                 | Q(A) at $\bar{K}(t + 2)\uparrow$ | Q(A + 1) at K(t + 3) $\uparrow$      | Q(A + 2) at $\bar{K}(t + 3)\uparrow$ | Q(A + 3) at K(t + 4) $\uparrow$      |
| NOP: No operation  | L-H     | H                 | H                 | D = X<br>Q = High Z              | D = X<br>Q = High Z                  | D = X<br>Q = High Z                  | D = X<br>Q = High Z                  |
| Standby: Clock stopped   | Stopped | X                 | X                 | Previous state                   | Previous state                       | Previous state                       | Previous State                       |

## Write Cycle Descriptions

The write cycle description table for CY7C1561KV18 follows. [3, 11]

| $\overline{NWS}_0$ | $\overline{NWS}_1$ | K   | $\bar{K}$ | Comments   |
|--------------------|--------------------|-----|-----------|--|
| L                  | L                  | L-H | -         | During the data portion of a write sequence:<br>CY7C1561KV18 – both nibbles (D <sub>[7:0]</sub> ) are written into the device.   |
| L                  | L                  | -   | L-H       | During the data portion of a write sequence:<br>CY7C1561KV18 – both nibbles (D <sub>[7:0]</sub> ) are written into the device.   |
| L                  | H                  | L-H | -         | During the data portion of a write sequence:<br>CY7C1561KV18 – only the lower nibble (D <sub>[3:0]</sub> ) is written into the device, D <sub>[7:4]</sub> remains unaltered. |
| L                  | H                  | -   | L-H       | During the data portion of a write sequence:<br>CY7C1561KV18 – only the lower nibble (D <sub>[3:0]</sub> ) is written into the device, D <sub>[7:4]</sub> remains unaltered. |
| H                  | L                  | L-H | -         | During the data portion of a write sequence:<br>CY7C1561KV18 – only the upper nibble (D <sub>[7:4]</sub> ) is written into the device, D <sub>[3:0]</sub> remains unaltered. |
| H                  | L                  | -   | L-H       | During the data portion of a write sequence:<br>CY7C1561KV18 – only the upper nibble (D <sub>[7:4]</sub> ) is written into the device, D <sub>[3:0]</sub> remains unaltered. |
| H                  | H                  | L-H | -         | No data is written into the devices during this portion of a write operation.  |
| H                  | H                  | -   | L-H       | No data is written into the devices during this portion of a write operation.  |

### Notes

- X = "Don't Care," H = Logic HIGH, L = Logic LOW,  $\uparrow$  represents rising edge.
- Device powers up deselected with the outputs in a tri-state condition.
- "A" represents address location latched by the devices when transaction was initiated. A + 1, A + 2, and A + 3 represents the address sequence in the burst.
- "t" represents the cycle at which a read/write operation is started. t + 1, t + 2, and t + 3 are the first, second and third clock cycles respectively succeeding the "t" clock cycle.
- Data inputs are registered at K and  $\bar{K}$  rising edges. Data outputs are delivered on K and  $\bar{K}$  rising edges as well.
- It is recommended that K =  $\bar{K}$  = HIGH when clock is stopped. This is not essential, but permits most rapid restart by overcoming transmission line charging symmetrically.
- If this signal was LOW to initiate the previous cycle, this signal becomes a "Don't Care" for this operation.
- This signal was HIGH on previous K clock rise. Initiating consecutive read or write operations on consecutive K clock rises is not permitted. The device ignores the second read or write request.
- Is based on a write cycle that was initiated in accordance with Table .  $\overline{NWS}_0$ ,  $\overline{NWS}_1$ ,  $\overline{BWS}_0$ ,  $\overline{BWS}_1$ ,  $\overline{BWS}_2$ , and  $\overline{BWS}_3$  can be altered on different portions of a write cycle, as long as the setup and hold requirements are achieved.

## Write Cycle Descriptions

The write cycle description table for CY7C1576KV18 follows. [3, 11]

| $\overline{BWS}_0$ | K   | $\overline{K}$ | Comments   |
|--------------------|-----|----------------|--|
| L                  | L-H | -              | During the data portion of a write sequence, the single byte ( $D_{[8:0]}$ ) is written into the device. |
| L                  | -   | L-H            | During the data portion of a write sequence, the single byte ( $D_{[8:0]}$ ) is written into the device. |
| H                  | L-H | -              | No data is written into the device during this portion of a write operation.                             |
| H                  | -   | L-H            | No data is written into the device during this portion of a write operation.                             |

## Write Cycle Descriptions

The write cycle description table for CY7C1565KV18 follows. [3, 11]

| $\overline{BWS}_0$ | $\overline{BWS}_1$ | $\overline{BWS}_2$ | $\overline{BWS}_3$ | K   | $\overline{K}$ | Comments   |
|--------------------|--------------------|--------------------|--------------------|-----|----------------|--|
| L                  | L                  | L                  | L                  | L-H | -              | During the data portion of a write sequence, all four bytes ( $D_{[35:0]}$ ) are written into the device.  |
| L                  | L                  | L                  | L                  | -   | L-H            | During the data portion of a write sequence, all four bytes ( $D_{[35:0]}$ ) are written into the device.  |
| L                  | H                  | H                  | H                  | L-H | -              | During the data portion of a write sequence, only the lower byte ( $D_{[8:0]}$ ) is written into the device. $D_{[35:9]}$ remains unaltered.               |
| L                  | H                  | H                  | H                  | -   | L-H            | During the data portion of a write sequence, only the lower byte ( $D_{[8:0]}$ ) is written into the device. $D_{[35:9]}$ remains unaltered.               |
| H                  | L                  | H                  | H                  | L-H | -              | During the data portion of a write sequence, only the byte ( $D_{[17:9]}$ ) is written into the device. $D_{[8:0]}$ and $D_{[35:18]}$ remains unaltered.   |
| H                  | L                  | H                  | H                  | -   | L-H            | During the data portion of a write sequence, only the byte ( $D_{[17:9]}$ ) is written into the device. $D_{[8:0]}$ and $D_{[35:18]}$ remains unaltered.   |
| H                  | H                  | L                  | H                  | L-H | -              | During the data portion of a write sequence, only the byte ( $D_{[26:18]}$ ) is written into the device. $D_{[17:0]}$ and $D_{[35:27]}$ remains unaltered. |
| H                  | H                  | L                  | H                  | -   | L-H            | During the data portion of a write sequence, only the byte ( $D_{[26:18]}$ ) is written into the device. $D_{[17:0]}$ and $D_{[35:27]}$ remains unaltered. |
| H                  | H                  | H                  | L                  | L-H | -              | During the data portion of a write sequence, only the byte ( $D_{[35:27]}$ ) is written into the device. $D_{[26:0]}$ remains unaltered.                   |
| H                  | H                  | H                  | L                  | -   | L-H            | During the data portion of a write sequence, only the byte ( $D_{[35:27]}$ ) is written into the device. $D_{[26:0]}$ remains unaltered.                   |
| H                  | H                  | H                  | H                  | L-H | -              | No data is written into the device during this portion of a write operation.   |
| H                  | H                  | H                  | H                  | -   | L-H            | No data is written into the device during this portion of a write operation.   |

## IEEE 1149.1 Serial Boundary Scan (JTAG)

These SRAMs incorporate a serial boundary scan Test Access Port (TAP) in the FBGA package. This part is fully compliant with IEEE Standard #1149.1-2001. The TAP operates using JEDEC standard 1.8 V I/O logic levels.

### Disabling the JTAG Feature

It is possible to operate the SRAM without using the JTAG feature. To disable the TAP controller, TCK must be tied LOW ( $V_{SS}$ ) to prevent clocking of the device. TDI and TMS are internally pulled up and may be unconnected. They may alternatively be connected to  $V_{DD}$  through a pull-up resistor. TDO must be left unconnected. Upon power-up, the device comes up in a reset state, which does not interfere with the operation of the device.

### Test Access Port—Test Clock

The test clock is used only with the TAP controller. All inputs are captured on the rising edge of TCK. All outputs are driven from the falling edge of TCK.

### Test Mode Select (TMS)

The TMS input is used to give commands to the TAP controller and is sampled on the rising edge of TCK. This pin may be left unconnected if the TAP is not used. The pin is pulled up internally, resulting in a logic HIGH level.

### Test Data-In (TDI)

The TDI pin is used to serially input information into the registers and can be connected to the input of any of the registers. The register between TDI and TDO is chosen by the instruction that is loaded into the TAP instruction register. For information on loading the instruction register, see [TAP Controller State Diagram](#) on page 15. TDI is internally pulled up and can be unconnected if the TAP is unused in an application. TDI is connected to the most significant bit (MSB) on any register.

### Test Data-Out (TDO)

The TDO output pin is used to serially clock data out from the registers. The output is active, depending upon the current state of the TAP state machine (see [Instruction Codes](#) on page 18). The output changes on the falling edge of TCK. TDO is connected to the least significant bit (LSB) of any register.

### Performing a TAP Reset

A Reset is performed by forcing TMS HIGH ( $V_{DD}$ ) for five rising edges of TCK. This Reset does not affect the operation of the SRAM and can be performed while the SRAM is operating. At power-up, the TAP is reset internally to ensure that TDO comes up in a High Z state.

### TAP Registers

Registers are connected between the TDI and TDO pins to scan the data in and out of the SRAM test circuitry. Only one register can be selected at a time through the instruction registers. Data is serially loaded into the TDI pin on the rising edge of TCK. Data is output on the TDO pin on the falling edge of TCK.

### Instruction Register

Three-bit instructions can be serially loaded into the instruction register. This register is loaded when it is placed between the TDI and TDO pins, as shown in [TAP Controller Block Diagram](#) on page 16. Upon power-up, the instruction register is loaded with the IDCODE instruction. It is also loaded with the IDCODE instruction if the controller is placed in a reset state, as described in the previous section.

When the TAP controller is in the Capture-IR state, the two least significant bits are loaded with a binary "01" pattern to allow for fault isolation of the board level serial test path.

### Bypass Register

To save time when serially shifting data through registers, it is sometimes advantageous to skip certain chips. The bypass register is a single-bit register that can be placed between TDI and TDO pins. This enables shifting of data through the SRAM with minimal delay. The bypass register is set LOW ( $V_{SS}$ ) when the BYPASS instruction is executed.

### Boundary Scan Register

The boundary scan register is connected to all of the input and output pins on the SRAM. Several No Connect (NC) pins are also included in the scan register to reserve pins for higher density devices.

The boundary scan register is loaded with the contents of the RAM input and output ring when the TAP controller is in the Capture-DR state and is then placed between the TDI and TDO pins when the controller is moved to the Shift-DR state. The EXTEST, SAMPLE/PRELOAD, and SAMPLE Z instructions can be used to capture the contents of the input and output ring.

The section [Boundary Scan Order](#) on page 19 shows the order in which the bits are connected. Each bit corresponds to one of the bumps on the SRAM package. The MSB of the register is connected to TDI, and the LSB is connected to TDO.

### Identification (ID) Register

The ID register is loaded with a vendor-specific, 32-bit code during the Capture-DR state when the IDCODE command is loaded in the instruction register. The IDCODE is hardwired into the SRAM and can be shifted out when the TAP controller is in the Shift-DR state. The ID register has a vendor code and other information described in [Identification Register Definitions](#) on page 18.

### TAP Instruction Set

Eight different instructions are possible with the three-bit instruction register. All combinations are listed in [Instruction Codes](#) on page 18. Three of these instructions are listed as RESERVED and must not be used. The other five instructions are described in this section in detail.

Instructions are loaded into the TAP controller during the Shift-IR state when the instruction register is placed between TDI and TDO. During this state, instructions are shifted through the instruction register through the TDI and TDO pins. To execute the instruction after it is shifted in, the TAP controller must be moved into the Update-IR state.

### *IDCODE*

The IDCODE instruction loads a vendor-specific, 32-bit code into the instruction register. It also places the instruction register between the TDI and TDO pins and shifts the IDCODE out of the device when the TAP controller enters the Shift-DR state. The IDCODE instruction is loaded into the instruction register at power-up or whenever the TAP controller is supplied a Test-Logic-Reset state.

### *SAMPLE Z*

The SAMPLE Z instruction connects the boundary scan register between the TDI and TDO pins when the TAP controller is in a Shift-DR state. The SAMPLE Z command puts the output bus into a High Z state until the next command is supplied during the Update IR state.

### *SAMPLE/PRELOAD*

SAMPLE/PRELOAD is a 1149.1 mandatory instruction. When the SAMPLE/PRELOAD instructions are loaded into the instruction register and the TAP controller is in the Capture-DR state, a snapshot of data on the input and output pins is captured in the boundary scan register.

The TAP controller clock can only operate at a frequency up to 20 MHz, while the SRAM clock operates more than an order of magnitude faster. Because there is a large difference in the clock frequencies, it is possible that during the Capture-DR state, an input or output undergoes a transition. The TAP may then try to capture a signal while in transition (metastable state). This does not harm the device, but there is no guarantee as to the value that is captured. Repeatable results may not be possible.

To guarantee that the boundary scan register captures the correct value of a signal, the SRAM signal must be stabilized long enough to meet the TAP controller's capture setup plus hold times ( $t_{CS}$  and  $t_{CH}$ ). The SRAM clock input might not be captured correctly if there is no way in a design to stop (or slow) the clock during a SAMPLE/PRELOAD instruction. If this is an issue, it is still possible to capture all other signals and simply ignore the value of the CK and CK captured in the boundary scan register.

After the data is captured, it is possible to shift out the data by putting the TAP into the Shift-DR state. This places the boundary scan register between the TDI and TDO pins.

PRELOAD places an initial data pattern at the latched parallel outputs of the boundary scan register cells before the selection of another boundary scan test operation.

The shifting of data for the SAMPLE and PRELOAD phases can occur concurrently when required, that is, while the data captured is shifted out, the preloaded data can be shifted in.

### *BYPASS*

When the BYPASS instruction is loaded in the instruction register and the TAP is placed in a Shift-DR state, the bypass register is placed between the TDI and TDO pins. The advantage of the BYPASS instruction is that it shortens the boundary scan path when multiple devices are connected together on a board.

### *EXTEST*

The EXTEST instruction drives the preloaded data out through the system output pins. This instruction also connects the boundary scan register for serial access between the TDI and TDO in the Shift-DR controller state.

### *EXTEST OUTPUT BUS TRI-STATE*

IEEE Standard 1149.1 mandates that the TAP controller be able to put the output bus into a tri-state mode.

The boundary scan register has a special bit located at bit #108. When this scan cell, called the "extest output bus tri-state," is latched into the preload register during the Update-DR state in the TAP controller, it directly controls the state of the output (Q-bus) pins, when the EXTEST is entered as the current instruction. When HIGH, it enables the output buffers to drive the output bus. When LOW, this bit places the output bus into a High Z condition.

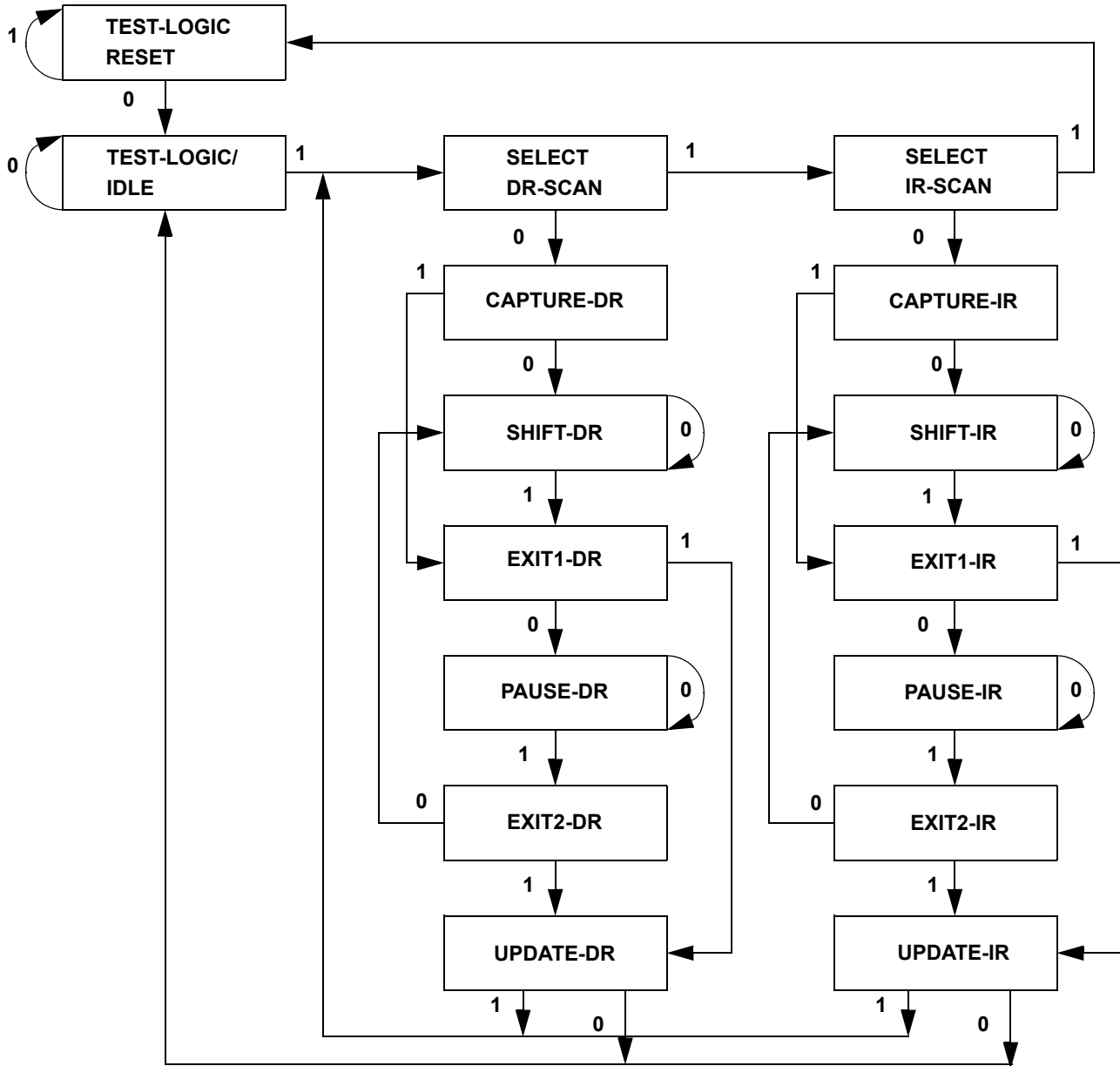
This bit can be set by entering the SAMPLE/PRELOAD or EXTEST command, and then shifting the desired bit into that cell, during the Shift-DR state. During Update-DR, the value loaded into that shift-register cell latches into the preload register. When the EXTEST instruction is entered, this bit directly controls the output Q-bus pins. Note that this bit is preset HIGH to enable the output when the device is powered up, and also when the TAP controller is in the Test-Logic-Reset state.

### *Reserved*

These instructions are not implemented but are reserved for future use. Do not use these instructions.

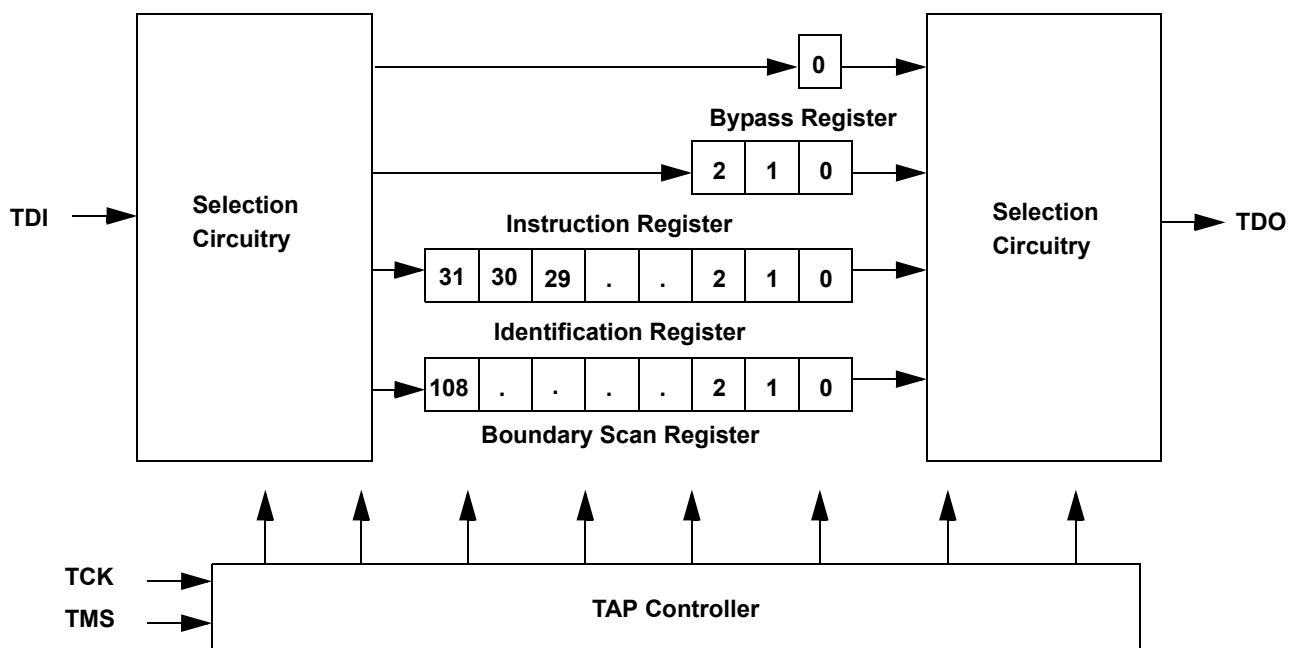
### TAP Controller State Diagram

The state diagram for the TAP controller follows. [12]



**Note**  
 12. The 0/1 next to each state represents the value at TMS at the rising edge of TCK.

## TAP Controller Block Diagram



## TAP Electrical Characteristics

Over the Operating Range <sup>[13, 14, 15]</sup>

| Parameter        | Description                   | Test Conditions                        | Min                 | Max                   | Unit |
|------------------|-------------------------------|--|---------------------|-----------------------|------|
| V <sub>OH1</sub> | Output HIGH voltage           | I <sub>OH</sub> = -2.0 mA              | 1.4                 |                       | V    |
| V <sub>OH2</sub> | Output HIGH voltage           | I <sub>OH</sub> = -100 μA              | 1.6                 |                       | V    |
| V <sub>OL1</sub> | Output LOW voltage            | I <sub>OL</sub> = 2.0 mA               |                     | 0.4                   | V    |
| V <sub>OL2</sub> | Output LOW voltage            | I <sub>OL</sub> = 100 μA               |                     | 0.2                   | V    |
| V <sub>IH</sub>  | Input HIGH voltage            |  | 0.65V <sub>DD</sub> | V <sub>DD</sub> + 0.3 | V    |
| V <sub>IL</sub>  | Input LOW voltage             |  | -0.3                | 0.35V <sub>DD</sub>   | V    |
| I <sub>X</sub>   | Input and output load current | GND ≤ V <sub>I</sub> ≤ V <sub>DD</sub> | -5                  | 5                     | μA   |

### Notes

13. These characteristics pertain to the TAP inputs (TMS, TCK, TDI and TDO). Parallel load levels are specified in the [Electrical Characteristics](#) Table.

14. Overshoot: V<sub>IH(AC)</sub> ≤ V<sub>DDQ</sub> + 0.35V (Pulse width less than t<sub>CYC/2</sub>), Undershoot: V<sub>IL(AC)</sub> ≥ -0.3 V (Pulse width less than t<sub>CYC/2</sub>).

15. All Voltage referenced to Ground.



## TAP AC Switching Characteristics

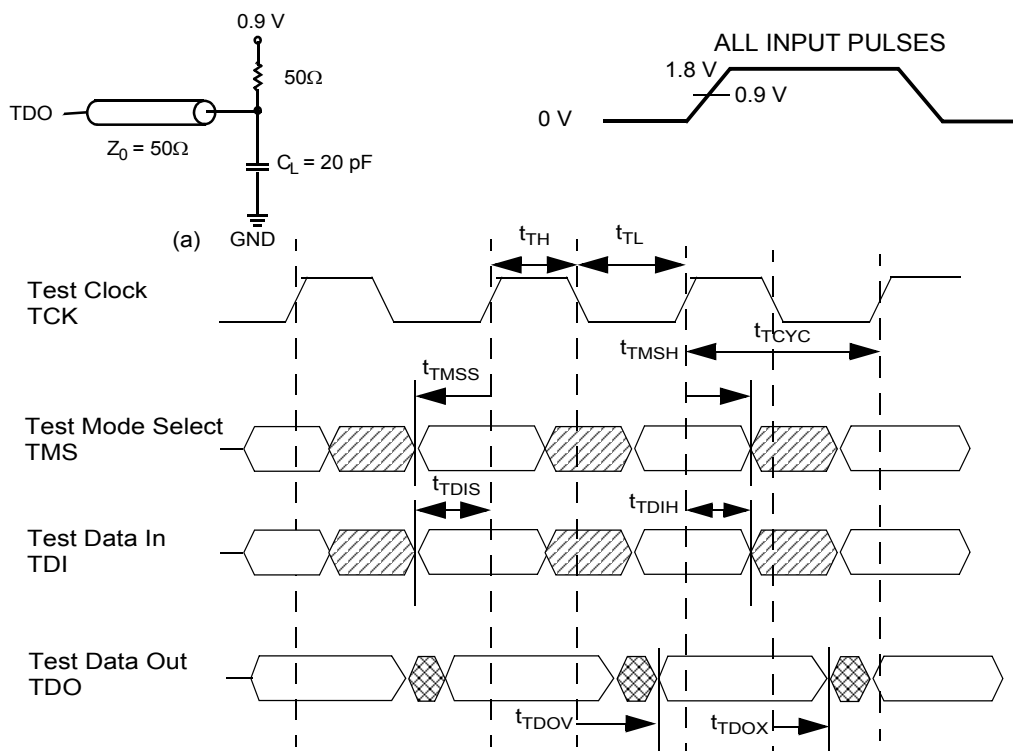
Over the Operating Range [16, 17]

| Parameter           | Description                   | Min | Max | Unit |
|---------------------|-------------------------------|-----|-----|------|
| $t_{TCYC}$          | TCK clock cycle time          | 50  |     | ns   |
| $t_{TF}$            | TCK clock frequency           |     | 20  | MHz  |
| $t_{TH}$            | TCK clock HIGH                | 20  |     | ns   |
| $t_{TL}$            | TCK clock LOW                 | 20  |     | ns   |
| <b>Setup Times</b>  |                               |     |     |      |
| $t_{TMSS}$          | TMS setup to TCK clock rise   | 5   |     | ns   |
| $t_{TDIS}$          | TDI setup to TCK clock rise   | 5   |     | ns   |
| $t_{CS}$            | Capture setup to TCK rise     | 5   |     | ns   |
| <b>Hold Times</b>   |                               |     |     |      |
| $t_{TMSH}$          | TMS hold after TCK clock rise | 5   |     | ns   |
| $t_{TDIH}$          | TDI hold after clock rise     | 5   |     | ns   |
| $t_{CH}$            | Capture hold after clock rise | 5   |     | ns   |
| <b>Output Times</b> |                               |     |     |      |
| $t_{TDOV}$          | TCK clock LOW to TDO valid    |     | 10  | ns   |
| $t_{TDOX}$          | TCK clock LOW to TDO invalid  | 0   |     | ns   |

## TAP Timing and Test Conditions

Figure 2 shows the TAP timing and test conditions. [17]

Figure 2. TAP Timing and Test Conditions



### Notes

- $t_{CS}$  and  $t_{CH}$  refer to the setup and hold time requirements of latching data from the boundary scan register.
- Test conditions are specified using the load in TAP AC Test Conditions.  $t_r/t_f = 1\text{ ns}$ .

## Identification Register Definitions

| Instruction Field         | Value             |                   |                   | Description                                  |
|---------------------------|-------------------|-------------------|-------------------|--|
|                           | CY7C1561KV18      | CY7C1576KV18      | CY7C1565KV18      |  |
| Revision number (31:29)   | 000               | 000               | 000               | Version number.                              |
| Cypress device ID (28:12) | 11010010001000100 | 11010010001001100 | 11010010001100100 | Defines the type of SRAM.                    |
| Cypress JEDEC ID (11:1)   | 00000110100       | 00000110100       | 00000110100       | Allows unique identification of SRAM vendor. |
| ID register presence (0)  | 1                 | 1                 | 1                 | Indicates the presence of an ID register.    |

## Scan Register Sizes

| Register Name | Bit Size |
|---------------|----------|
| Instruction   | 3        |
| Bypass        | 1        |
| ID            | 32       |
| Boundary scan | 109      |

## Instruction Codes

| Instruction    | Code | Description  |
|----------------|------|--|
| EXTEST         | 000  | Captures the input and output ring contents.   |
| IDCODE         | 001  | Loads the ID register with the vendor ID code and places the register between TDI and TDO. This operation does not affect SRAM operation.        |
| SAMPLE Z       | 010  | Captures the input and output contents. Places the boundary scan register between TDI and TDO. Forces all SRAM output drivers to a High Z state. |
| RESERVED       | 011  | Do Not Use: This instruction is reserved for future use.   |
| SAMPLE/PRELOAD | 100  | Captures the input and output ring contents. Places the boundary scan register between TDI and TDO. Does not affect the SRAM operation.          |
| RESERVED       | 101  | Do Not Use: This instruction is reserved for future use.   |
| RESERVED       | 110  | Do Not Use: This instruction is reserved for future use.   |
| BYPASS         | 111  | Places the bypass register between TDI and TDO. This operation does not affect SRAM operation.   |

### Boundary Scan Order

| Bit # | Bump ID |
|-------|---------|
| 0     | 6R      |
| 1     | 6P      |
| 2     | 6N      |
| 3     | 7P      |
| 4     | 7N      |
| 5     | 7R      |
| 6     | 8R      |
| 7     | 8P      |
| 8     | 9R      |
| 9     | 11P     |
| 10    | 10P     |
| 11    | 10N     |
| 12    | 9P      |
| 13    | 10M     |
| 14    | 11N     |
| 15    | 9M      |
| 16    | 9N      |
| 17    | 11L     |
| 18    | 11M     |
| 19    | 9L      |
| 20    | 10L     |
| 21    | 11K     |
| 22    | 10K     |
| 23    | 9J      |
| 24    | 9K      |
| 25    | 10J     |
| 26    | 11J     |
| 27    | 11H     |

| Bit # | Bump ID |
|-------|---------|
| 28    | 10G     |
| 29    | 9G      |
| 30    | 11F     |
| 31    | 11G     |
| 32    | 9F      |
| 33    | 10F     |
| 34    | 11E     |
| 35    | 10E     |
| 36    | 10D     |
| 37    | 9E      |
| 38    | 10C     |
| 39    | 11D     |
| 40    | 9C      |
| 41    | 9D      |
| 42    | 11B     |
| 43    | 11C     |
| 44    | 9B      |
| 45    | 10B     |
| 46    | 11A     |
| 47    | 10A     |
| 48    | 9A      |
| 49    | 8B      |
| 50    | 7C      |
| 51    | 6C      |
| 52    | 8A      |
| 53    | 7A      |
| 54    | 7B      |
| 55    | 6B      |

| Bit # | Bump ID |
|-------|---------|
| 56    | 6A      |
| 57    | 5B      |
| 58    | 5A      |
| 59    | 4A      |
| 60    | 5C      |
| 61    | 4B      |
| 62    | 3A      |
| 63    | 2A      |
| 64    | 1A      |
| 65    | 2B      |
| 66    | 3B      |
| 67    | 1C      |
| 68    | 1B      |
| 69    | 3D      |
| 70    | 3C      |
| 71    | 1D      |
| 72    | 2C      |
| 73    | 3E      |
| 74    | 2D      |
| 75    | 2E      |
| 76    | 1E      |
| 77    | 2F      |
| 78    | 3F      |
| 79    | 1G      |
| 80    | 1F      |
| 81    | 3G      |
| 82    | 2G      |
| 83    | 1H      |

| Bit # | Bump ID  |
|-------|----------|
| 84    | 1J       |
| 85    | 2J       |
| 86    | 3K       |
| 87    | 3J       |
| 88    | 2K       |
| 89    | 1K       |
| 90    | 2L       |
| 91    | 3L       |
| 92    | 1M       |
| 93    | 1L       |
| 94    | 3N       |
| 95    | 3M       |
| 96    | 1N       |
| 97    | 2M       |
| 98    | 3P       |
| 99    | 2N       |
| 100   | 2P       |
| 101   | 1P       |
| 102   | 3R       |
| 103   | 4R       |
| 104   | 4P       |
| 105   | 5P       |
| 106   | 5N       |
| 107   | 5R       |
| 108   | Internal |

## Power-Up Sequence in QDR II+ SRAM

QDR II+ SRAMs must be powered up and initialized in a predefined manner to prevent undefined operations.

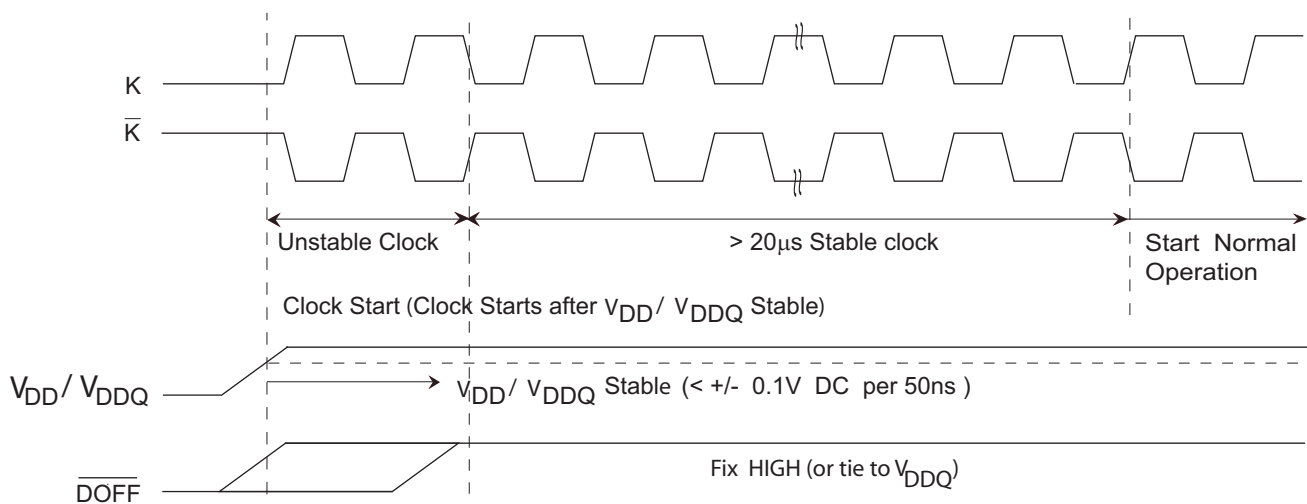
### Power-Up Sequence

- Apply power and drive  $\overline{\text{DOFF}}$  either HIGH or LOW (All other inputs can be HIGH or LOW).
  - Apply  $V_{\text{DD}}$  before  $V_{\text{DDQ}}$ .
  - Apply  $V_{\text{DDQ}}$  before  $V_{\text{REF}}$  or at the same time as  $V_{\text{REF}}$ .
  - Drive  $\overline{\text{DOFF}}$  HIGH.
- Provide stable  $\overline{\text{DOFF}}$  (HIGH), power and clock (K,  $\overline{\text{K}}$ ) for 20  $\mu\text{s}$  to lock the PLL.

### PLL Constraints

- PLL uses K clock as its synchronizing input. The input must have low phase jitter, which is specified as  $t_{\text{KC Var}}$ .
- The PLL functions at frequencies down to 120 MHz.
- If the input clock is unstable and the PLL is enabled, then the PLL may lock onto an incorrect frequency, causing unstable SRAM behavior. To avoid this, provide 20  $\mu\text{s}$  of stable clock to relock to the desired clock frequency.

**Figure 3. Power-Up Waveforms**



## Maximum Ratings

Exceeding maximum ratings may shorten the useful life of the device. User guidelines are not tested.

Storage temperature ..... -65 °C to +150 °C  
 Ambient temperature with power applied . -55 °C to +125 °C  
 Supply voltage on V<sub>DD</sub> relative to GND ..... -0.5 V to +2.9 V  
 Supply voltage on V<sub>DDQ</sub> relative to GND..... -0.5 V to +V<sub>DD</sub>  
 DC applied to outputs in High Z ..... -0.5 V to V<sub>DDQ</sub> + 0.3 V  
 DC input voltage <sup>[14]</sup> ..... -0.5 V to V<sub>DD</sub> + 0.3 V  
 Current into outputs (LOW) ..... 20 mA  
 Static discharge voltage (MIL-STD-883, M. 3015).. > 2,001V  
 Latch up current..... > 200 mA

## Operating Range

| Range      | Ambient Temperature (T <sub>A</sub> ) | V <sub>DD</sub> <sup>[18]</sup> | V <sub>DDQ</sub> <sup>[18]</sup> |
|------------|---------------------------------------|---------------------------------|----------------------------------|
| Commercial | 0 °C to +70 °C                        | 1.8 ± 0.1 V                     | 1.4 V to V <sub>DD</sub>         |
| Industrial | -40 °C to +85 °C                      |                                 |                                  |

## Electrical Characteristics

### DC Electrical Characteristics

Over the Operating Range <sup>[15]</sup>

| Parameter            | Description                             | Test Conditions   | Min                        | Typ  | Max                        | Unit |
|----------------------|---|---|----------------------------|------|----------------------------|------|
| V <sub>DD</sub>      | Power supply voltage                    |   | 1.7                        | 1.8  | 1.9                        | V    |
| V <sub>DDQ</sub>     | I/O supply voltage                      |   | 1.4                        | 1.5  | V <sub>DD</sub>            | V    |
| V <sub>OH</sub>      | Output HIGH voltage                     | Note 19   | V <sub>DDQ</sub> /2 - 0.12 | -    | V <sub>DDQ</sub> /2 + 0.12 | V    |
| V <sub>OL</sub>      | Output LOW voltage                      | Note 20   | V <sub>DDQ</sub> /2 - 0.12 | -    | V <sub>DDQ</sub> /2 + 0.12 | V    |
| V <sub>OH(Low)</sub> | Output HIGH voltage                     | I <sub>OH</sub> = -0.1 mA, nominal impedance              | V <sub>DDQ</sub> - 0.2     | -    | V <sub>DDQ</sub>           | V    |
| V <sub>OL(Low)</sub> | Output LOW voltage                      | I <sub>OL</sub> = 0.1 mA, nominal impedance               | V <sub>SS</sub>            | -    | 0.2                        | V    |
| V <sub>IH</sub>      | Input HIGH voltage                      |   | V <sub>REF</sub> + 0.1     | -    | V <sub>DDQ</sub> + 0.15    | V    |
| V <sub>IL</sub>      | Input LOW voltage                       |   | -0.15                      | -    | V <sub>REF</sub> - 0.1     | V    |
| I <sub>X</sub>       | Input leakage current                   | GND ≤ V <sub>I</sub> ≤ V <sub>DDQ</sub>                   | -2                         | -    | 2                          | μA   |
| I <sub>OZ</sub>      | Output leakage current                  | GND ≤ V <sub>I</sub> ≤ V <sub>DDQ</sub> , output disabled | -2                         | -    | 2                          | μA   |
| V <sub>REF</sub>     | Input reference voltage <sup>[21]</sup> | Typical Value = 0.75V                                     | 0.68                       | 0.75 | 0.95                       | V    |

### Notes

18. Power-up: Assumes a linear ramp from 0 V to V<sub>DD(min)</sub> within 200 ms. During this time V<sub>IH</sub> < V<sub>DD</sub> and V<sub>DDQ</sub> ≤ V<sub>DD</sub>.  
 19. Output are impedance controlled. I<sub>OH</sub> = -(V<sub>DDQ</sub>/2)/(RQ/5) for values of 175 ohms ≤ RQ ≤ 350 ohms.  
 20. Output are impedance controlled. I<sub>OL</sub> = (V<sub>DDQ</sub>/2)/(RQ/5) for values of 175 ohms ≤ RQ ≤ 350 ohms.  
 21. V<sub>REF</sub> (min) = 0.68V or 0.46V<sub>DDQ</sub>, whichever is larger, V<sub>REF</sub> (max) = 0.95V or 0.54V<sub>DDQ</sub>, whichever is smaller.

## Neutron Soft Error Immunity

| Parameter | Description               | Test Conditions | Typ | Max* | Unit    |
|-----------|---------------------------|-----------------|-----|------|---------|
| LSBU      | Logical single-bit upsets | 25 °C           | 197 | 216  | FIT/Mb  |
| LMBU      | Logical multi-bit upsets  | 25 °C           | 0   | 0.01 | FIT/Mb  |
| SEL       | Single-event latch up     | 85 °C           | 0   | 0.1  | FIT/Dev |

\* No LMBU or SEL events occurred during testing; this column represents a statistical  $\chi^2$ , 95% confidence limit calculation. For more details refer to Application Note AN 54908 "Accelerated Neutron SER Testing and Calculation of Terrestrial Failure Rates"

## Electrical Characteristics (continued)

### DC Electrical Characteristics

Over the Operating Range <sup>[15]</sup>

| Parameter                       | Description                      | Test Conditions   | Min     | Typ   | Max | Unit |      |    |
|---------------------------------|----------------------------------|---|---------|-------|-----|------|------|----|
| I <sub>DD</sub> <sup>[22]</sup> | V <sub>DD</sub> operating supply | V <sub>DD</sub> = Max,<br>I <sub>OUT</sub> = 0 mA,<br>f = f <sub>MAX</sub> = 1/t <sub>CYC</sub>   | 550 MHz | (x8)  | –   | –    | 900  | mA |
|                                 |                                  |   |         | (x9)  | –   | –    | 900  |    |
|                                 |                                  |   |         | (x36) | –   | –    | 1310 |    |
|                                 |                                  |   | 500 MHz | (x8)  | –   | –    | 830  | mA |
|                                 |                                  |   |         | (x9)  | –   | –    | 830  |    |
|                                 |                                  |   |         | (x36) | –   | –    | 1210 |    |
|                                 |                                  |   | 450 MHz | (x8)  | –   | –    | 760  | mA |
|                                 |                                  |   |         | (x9)  | –   | –    | 760  |    |
|                                 |                                  |   |         | (x36) | –   | –    | 1100 |    |
|                                 |                                  |   | 400 MHz | (x8)  | –   | –    | 690  | mA |
|                                 |                                  |   |         | (x9)  | –   | –    | 690  |    |
|                                 |                                  |   |         | (x36) | –   | –    | 1000 |    |
| I <sub>SB1</sub>                | Automatic power-down current     | Max V <sub>DD</sub> ,<br>Both Ports Deselected,<br>V <sub>IN</sub> ≥ V <sub>IH</sub> or V <sub>IN</sub> ≤ V <sub>IL</sub> ,<br>f = f <sub>MAX</sub> = 1/t <sub>CYC</sub> ,<br>Inputs Static | 550 MHz | (x8)  | –   | –    | 380  | mA |
|                                 |                                  |   |         | (x9)  | –   | –    | 380  |    |
|                                 |                                  |   |         | (x36) | –   | –    | 380  |    |
|                                 |                                  |   | 500 MHz | (x8)  | –   | –    | 360  | mA |
|                                 |                                  |   |         | (x9)  | –   | –    | 360  |    |
|                                 |                                  |   |         | (x36) | –   | –    | 360  |    |
|                                 |                                  |   | 450 MHz | (x8)  | –   | –    | 340  | mA |
|                                 |                                  |   |         | (x9)  | –   | –    | 340  |    |
|                                 |                                  |   |         | (x36) | –   | –    | 340  |    |
|                                 |                                  |   | 400 MHz | (x8)  | –   | –    | 320  | mA |
|                                 |                                  |   |         | (x9)  | –   | –    | 320  |    |
|                                 |                                  |   |         | (x36) | –   | –    | 320  |    |

### AC Electrical Characteristics

Over the Operating Range <sup>[14]</sup>

| Parameter       | Description        | Test Conditions | Min                    | Typ | Max                     | Unit |
|-----------------|--------------------|-----------------|------------------------|-----|-------------------------|------|
| V <sub>IH</sub> | Input HIGH voltage |                 | V <sub>REF</sub> + 0.2 | –   | V <sub>DDQ</sub> + 0.24 | V    |
| V <sub>IL</sub> | Input LOW voltage  |                 | –0.24                  | –   | V <sub>REF</sub> – 0.2  | V    |

**Note**

22. The operation current is calculated with 50% read cycle and 50% write cycle.

## Capacitance

Tested initially and after any design or process change that may affect these parameters.

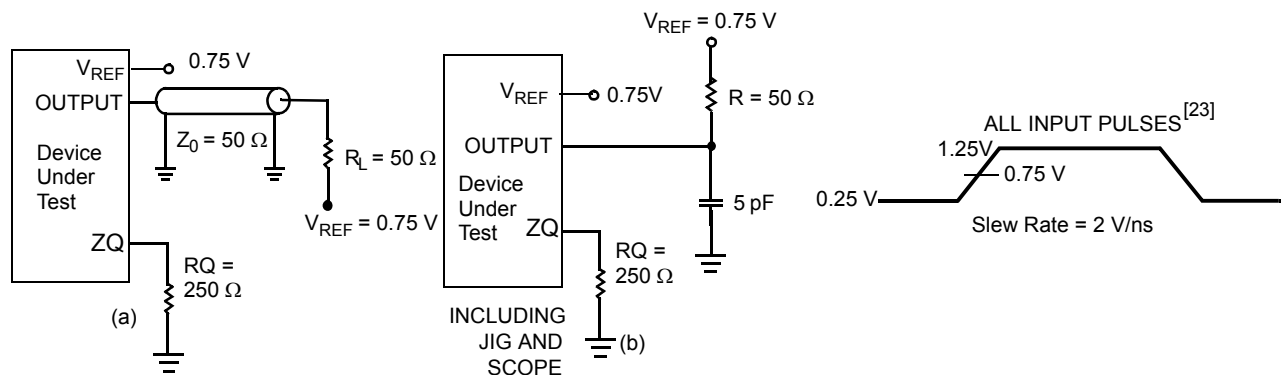
| Parameter | Description        | Test Conditions  | Max | Unit |
|-----------|--------------------|--|-----|------|
| $C_{IN}$  | Input capacitance  | $T_A = 25^\circ\text{C}$ , $f = 1\text{ MHz}$ , $V_{DD} = 1.8\text{ V}$ , $V_{DDQ} = 1.5\text{ V}$ | 4   | pF   |
| $C_O$     | Output capacitance |  | 4   | pF   |

## Thermal Resistance

Tested initially and after any design or process change that may affect these parameters.

| Parameter     | Description                              | Test Conditions   | 165 FBGA Package | Unit               |
|---------------|--|---|------------------|--------------------|
| $\Theta_{JA}$ | Thermal resistance (junction to ambient) | Test conditions follow standard test methods and procedures for measuring thermal impedance, in accordance with EIA/JESD51. | 13.7             | $^\circ\text{C/W}$ |
| $\Theta_{JC}$ | Thermal resistance (junction to case)    |   | 3.73             | $^\circ\text{C/W}$ |

Figure 4. AC Test Loads and Waveforms



### Note

23. Unless otherwise noted, test conditions are based on signal transition time of  $2\text{ V/ns}$ , timing reference levels of  $0.75\text{ V}$ ,  $V_{ref} = 0.75\text{ V}$ ,  $R_Q = 250\ \Omega$ ,  $V_{DDQ} = 1.5\text{ V}$ , input pulse levels of  $0.25\text{ V}$  to  $1.25\text{ V}$ , and output loading of the specified  $I_{OL}/I_{OH}$  and load capacitance shown in (a) of Figure 4.

## Switching Characteristics

Over the Operating Range [23, 24]

| Cypress Parameter                           | Consortium Parameter                        | Description   | 550 MHz |      | 500 MHz |      | 450 MHz |      | 400 MHz |      | Unit |
|---|---|---|---------|------|---------|------|---------|------|---------|------|------|
|   |   |   | Min     | Max  | Min     | Max  | Min     | Max  | Min     | Max  |      |
| t <sub>POWER</sub>                          |   | V <sub>DD</sub> (typical) to the first access [25]  | 1       | –    | 1       | –    | 1       | –    | 1       | –    | ms   |
| t <sub>CYC</sub>                            | t <sub>KHKH</sub>                           | K clock cycle time  | 1.81    | 8.4  | 2.0     | 8.4  | 2.2     | 8.4  | 2.5     | 8.4  | ns   |
| t <sub>KH</sub>                             | t <sub>KHKL</sub>                           | Input clock (K/K) HIGH  | 0.4     | –    | 0.4     | –    | 0.4     | –    | 0.4     | –    | ns   |
| t <sub>KL</sub>                             | t <sub>KLKH</sub>                           | Input clock (K/K) LOW   | 0.4     | –    | 0.4     | –    | 0.4     | –    | 0.4     | –    | ns   |
| t <sub>KHKH</sub>                           | t <sub>KHKH</sub>                           | K clock rise to K clock rise (rising edge to rising edge)   | 0.77    | –    | 0.85    | –    | 0.94    | –    | 1.06    | –    | ns   |
| <b>Setup Times</b>                          |   |   |         |      |         |      |         |      |         |      |      |
| t <sub>SA</sub>                             | t <sub>AVKH</sub>                           | Address setup to K clock rise   | 0.23    | –    | 0.25    | –    | 0.275   | –    | 0.4     | –    | ns   |
| t <sub>SC</sub>                             | t <sub>IVKH</sub>                           | Control setup to K clock rise (RPS, WPS)  | 0.23    | –    | 0.25    | –    | 0.275   | –    | 0.4     | –    | ns   |
| t <sub>SCDDR</sub>                          | t <sub>IVKH</sub>                           | Double data rate control setup to clock (K/K) rise (BWS <sub>0</sub> , BWS <sub>1</sub> , BWS <sub>2</sub> , BWS <sub>3</sub> )   | 0.18    | –    | 0.20    | –    | 0.22    | –    | 0.28    | –    | ns   |
| t <sub>SD</sub>                             | t <sub>DVKH</sub>                           | D <sub>[X:0]</sub> setup to clock (K/K) rise  | 0.18    | –    | 0.20    | –    | 0.22    | –    | 0.28    | –    | ns   |
| <b>Hold Times</b>                           |   |   |         |      |         |      |         |      |         |      |      |
| t <sub>HA</sub>                             | t <sub>KHAX</sub>                           | Address hold after K clock rise   | 0.23    | –    | 0.25    | –    | 0.275   | –    | 0.4     | –    | ns   |
| t <sub>HC</sub>                             | t <sub>KHIX</sub>                           | Control hold after K clock rise (RPS, WPS)  | 0.23    | –    | 0.25    | –    | 0.275   | –    | 0.4     | –    | ns   |
| t <sub>HCDDR</sub>                          | t <sub>KHIX</sub>                           | Double data rate control hold after clock (K/K) rise (BWS <sub>0</sub> , BWS <sub>1</sub> , BWS <sub>2</sub> , BWS <sub>3</sub> ) | 0.18    | –    | 0.20    | –    | 0.28    | –    | 0.28    | –    | ns   |
| t <sub>HD</sub>                             | t <sub>KHDX</sub>                           | D <sub>[X:0]</sub> hold after clock (K/K) rise  | 0.18    | –    | 0.20    | –    | 0.28    | –    | 0.28    | –    | ns   |
| <b>Output Times</b>                         |   |   |         |      |         |      |         |      |         |      |      |
| t <sub>CO</sub>                             | t <sub>CHQV</sub>                           | K/K clock rise to data valid  | –       | 0.45 | –       | 0.45 | –       | 0.45 | –       | 0.45 | ns   |
| t <sub>DOH</sub>                            | t <sub>CHQX</sub>                           | Data output hold after output K/K clock rise (active to active)   | –0.45   | –    | –0.45   | –    | –0.45   | –    | –0.45   | –    | ns   |
| t <sub>CCQO</sub>                           | t <sub>CHCQV</sub>                          | K/K clock rise to echo clock valid  | –       | 0.45 | –       | 0.45 | –       | 0.45 | –       | 0.45 | ns   |
| t <sub>CQOH</sub>                           | t <sub>CHCQX</sub>                          | Echo clock hold after K/K clock rise  | –0.45   | –    | –0.45   | –    | –0.45   | –    | –0.45   | –    | ns   |
| t <sub>CQD</sub>                            | t <sub>CQHCV</sub>                          | Echo clock high to data valid   |         | 0.15 |         | 0.15 |         | 0.15 |         | 0.20 | ns   |
| t <sub>CQDOH</sub>                          | t <sub>CQHCV</sub>                          | Echo clock high to data invalid   | –0.15   | –    | –0.15   | –    | –0.15   | –    | –0.20   | –    | ns   |
| t <sub>CQH</sub>                            | t <sub>CQHCQL</sub>                         | Output clock (CQ/CQ) HIGH [26]  | 0.655   | –    | 0.75    | –    | 0.85    | –    | 1.0     | –    | ns   |
| t <sub>CQH<math>\overline{CQ}</math>H</sub> | t <sub>CQH<math>\overline{CQ}</math>H</sub> | CQ clock rise to CQ clock rise (rising edge to rising edge) [26]  | 0.655   | –    | 0.75    | –    | 0.85    | –    | 1.0     | –    | ns   |
| t <sub>CHZ</sub>                            | t <sub>CHQZ</sub>                           | Clock (K/K) rise to high Z (active to High Z) [27, 28]  | –       | 0.45 | –       | 0.45 | –       | 0.45 | –       | 0.45 | ns   |
| t <sub>CLZ</sub>                            | t <sub>CHQX1</sub>                          | Clock (K/K) rise to Low Z [27, 28]  | –0.45   | –    | –0.45   | –    | –0.45   | –    | –0.45   | –    | ns   |
| t <sub>QVLD</sub>                           | t <sub>CQHCVLD</sub>                        | Echo clock high to QVLD Valid [29]  | –0.15   | 0.15 | –0.15   | 0.15 | –0.15   | 0.15 | –0.20   | 0.20 | ns   |
| <b>PLL Timing</b>                           |   |   |         |      |         |      |         |      |         |      |      |
| t <sub>KC Var</sub>                         | t <sub>KC Var</sub>                         | Clock phase jitter  | –       | 0.15 | –       | 0.15 | –       | 0.15 | –       | 0.20 | ns   |
| t <sub>KC lock</sub>                        | t <sub>KC lock</sub>                        | PLL lock time (K)   | 20      | –    | 20      | –    | 20      | –    | 20      | –    | μs   |
| t <sub>KC Reset</sub>                       | t <sub>KC Reset</sub>                       | K static to PLL reset [30]  | 30      |      | 30      |      | 30      |      | 30      |      | ns   |

### Notes

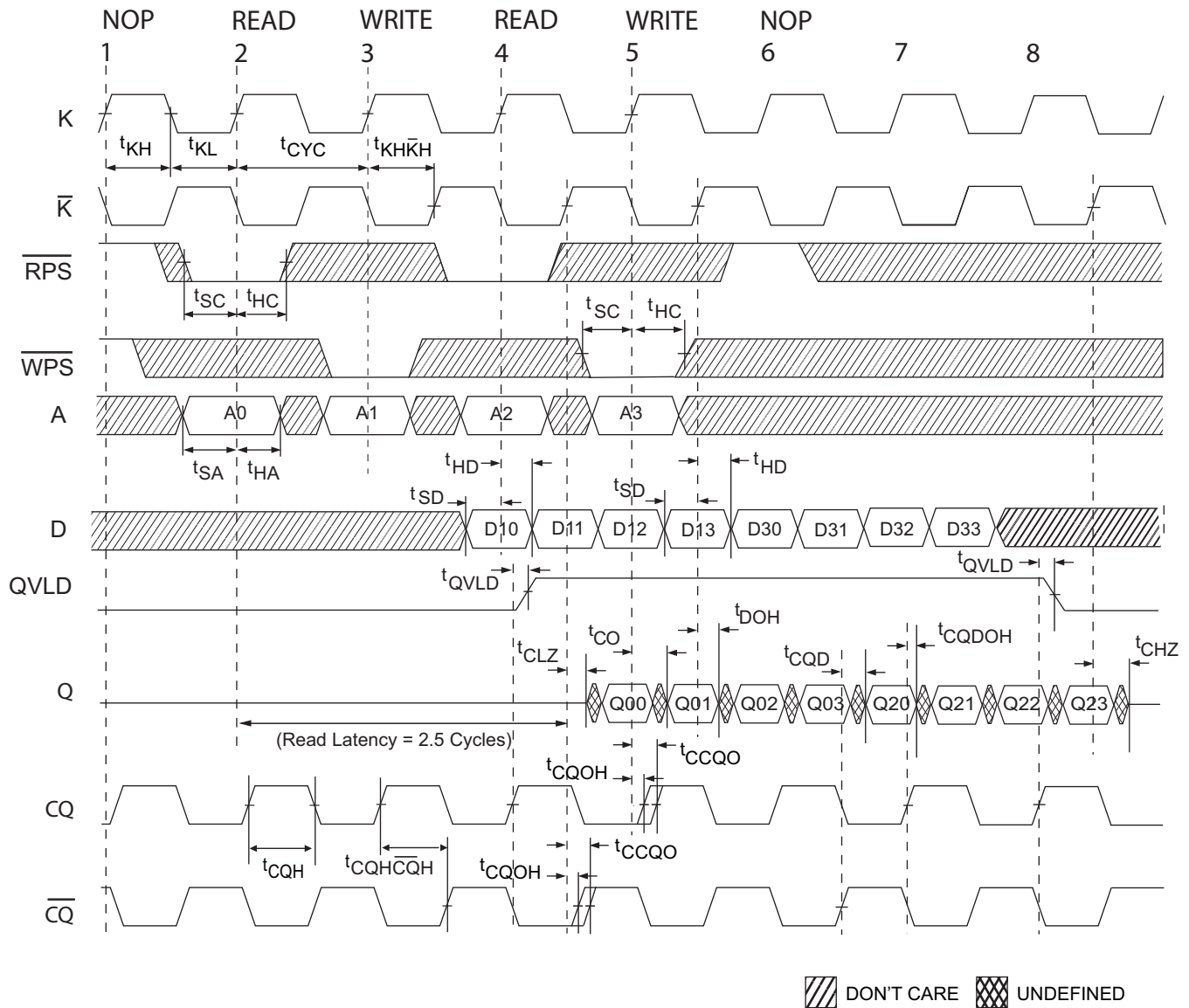
24. When a part with a maximum frequency above 400 MHz is operating at a lower clock frequency, it requires the input timings of the frequency range in which it is being operated and outputs data with the output timings of that frequency range.
25. This part has a voltage regulator internally; t<sub>POWER</sub> is the time that the power must be supplied above V<sub>DD</sub> minimum initially before a read or write operation can be initiated.
26. These parameters are extrapolated from the input timing parameters (t<sub>CYC</sub>/2 - 250 ps, where 250 ps is the internal jitter). These parameters are only guaranteed by design and are not tested in production.
27. t<sub>CHZ</sub>, t<sub>CLZ</sub>, are specified with a load capacitance of 5 pF as in (b) of Figure 4 on page 23. Transition is measured ± 100 mV from steady-state voltage.
28. At any voltage and temperature t<sub>CHZ</sub> is less than t<sub>CLZ</sub> and t<sub>CHZ</sub> less than t<sub>CO</sub>.
29. t<sub>QVLD</sub> spec is applicable for both rising and falling edges of QVLD signal.
30. Hold to >V<sub>IH</sub> or <V<sub>IL</sub>.



## Switching Waveforms

Read/Write/Deselect Sequence <sup>[31, 32, 33]</sup>

Figure 5. Waveform for 2.5 Cycle Read Latency



### Notes

31. Q00 refers to output from address A0. Q01 refers to output from the next internal burst address following A0, that is, A0+1.

32. Outputs are disabled (High Z) one clock cycle after a NOP.

33. In this example, if address A2 = A1, then data Q20 = D10, Q21 = D11, Q22 = D12, and Q23 = D13. Write data is forwarded immediately as read results. This note applies to the whole diagram.

## Ordering Information

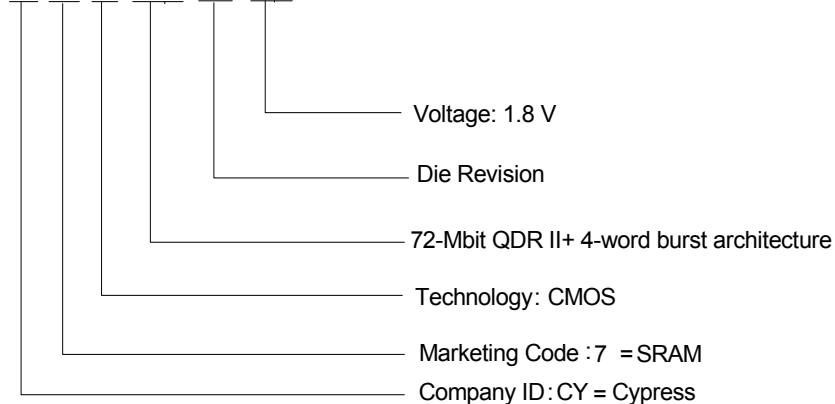
The following table contains only the parts that are currently available. If you do not see what you are looking for, contact your local sales representative. For more information, visit the Cypress website at [www.cypress.com](http://www.cypress.com) and refer to the product summary page at <http://www.cypress.com/products>

Cypress maintains a worldwide network of offices, solution centers, manufacturer's representatives and distributors. To find the office closest to you, visit us at <http://www.cypress.com/go/datasheet/offices>.

| Speed (MHz) | Ordering Code        | Package Diagram | Part and Package Type                    | Operating Range |
|-------------|----------------------|-----------------|--|-----------------|
| 500         | CY7C1565KV18-500BZC  | 51-85180        | 165-ball FBGA (13 × 15 × 1.4 mm)         | Commercial      |
|             | CY7C1565KV18-500BZXC |                 | 165-ball FBGA (13 × 15 × 1.4 mm) Pb-free |                 |
|             | CY7C1565KV18-500BZI  | 51-85180        | 165-ball FBGA (13 × 15 × 1.4 mm)         | Industrial      |
|             | CY7C1565KV18-500BZXI |                 | 165-ball FBGA (13 × 15 × 1.4 mm) Pb-free |                 |
| 450         | CY7C1565KV18-450BZC  | 51-85180        | 165-ball FBGA (13 × 15 × 1.4 mm)         | Commercial      |
|             | CY7C1565KV18-450BZXC |                 | 165-ball FBGA (13 × 15 × 1.4 mm) Pb-free |                 |
|             | CY7C1565KV18-450BZI  | 51-85180        | 165-ball FBGA (13 × 15 × 1.4 mm)         | Industrial      |
|             | CY7C1565KV18-450BZXI |                 | 165-ball FBGA (13 × 15 × 1.4 mm) Pb-free |                 |
| 400         | CY7C1565KV18-400BZC  | 51-85180        | 165-ball FBGA (13 × 15 × 1.4 mm)         | Commercial      |
|             | CY7C1565KV18-400BZXC |                 | 165-ball FBGA (13 × 15 × 1.4 mm) Pb-free |                 |
|             | CY7C1565KV18-400BZI  | 51-85180        | 165-ball FBGA (13 × 15 × 1.4 mm)         | Industrial      |
|             | CY7C1565KV18-400BZXI |                 | 165-ball FBGA (13 × 15 × 1.4 mm) Pb-free |                 |

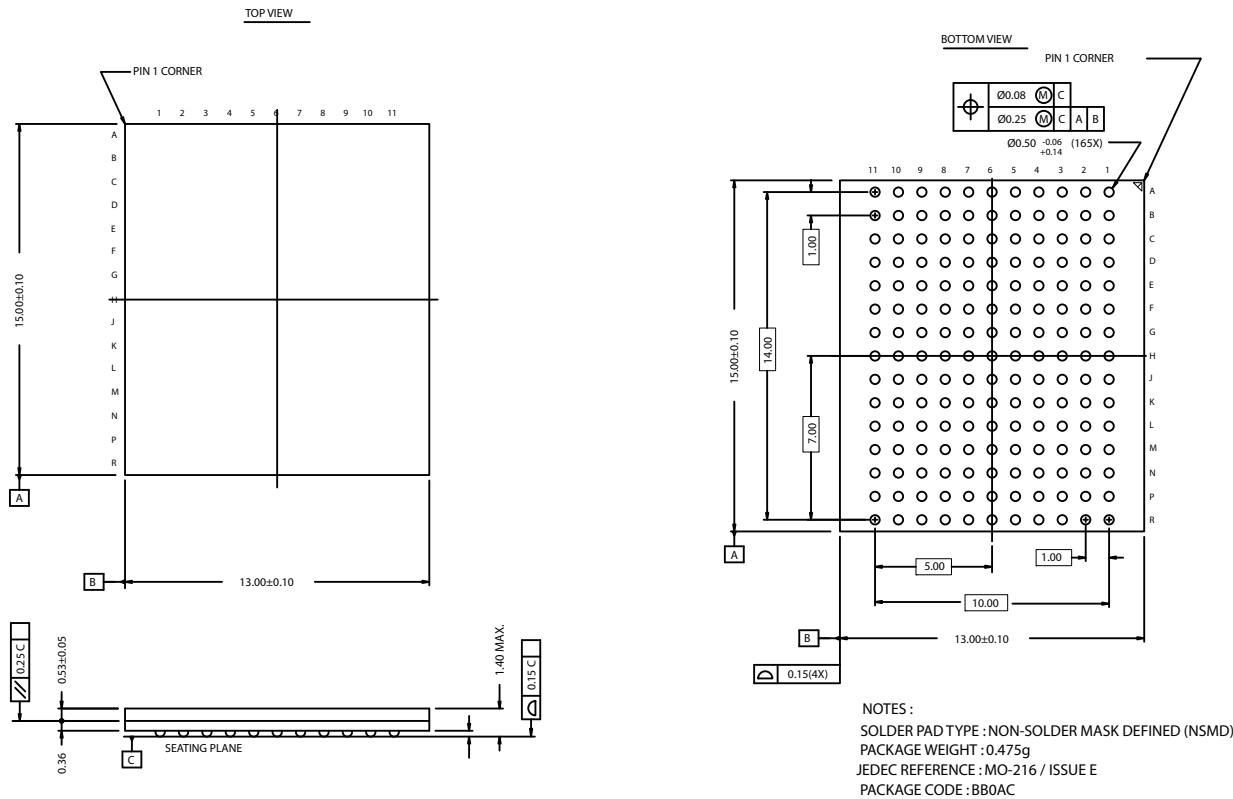
## Ordering Code Definition

CY 7 C 15XX K V18



## Package Diagram

**Figure 6. 165-Ball FBGA (13 × 15 × 1.4 mm)**



51-85180-°C

## Acronyms

| Acronym | Description                               |
|---------|---|
| DDR     | Double data rate                          |
| FBGA    | Fine-pitch ball grid array                |
| HSTL    | High-speed transceiver logic              |
| JEDEC   | Joint Electron Device Engineering Council |
| JTAG    | Joint Test Action Group                   |
| ODT     | On-die termination                        |
| PLL     | Phase-locked loop                         |
| QDR     | Quad data rate                            |
| TAP     | Test access port                          |
| TCK     | Test clock                                |
| TDO     | Test data out                             |
| TDI     | Test data in                              |
| TMS     | Test mode select                          |

## Document History Page

| Document Title: CY7C1561KV18/CY7C1576KV18/CY7C1565KV18, 72-Mbit QDR® II+ SRAM 4-Word Burst Architecture (2.5 Cycle Read Latency)<br>Document Number: 001-15878 |         |                 |                 |  |
|--|---------|-----------------|-----------------|--|
| Revision   | ECN     | Orig. of Change | Submission Date | Description of Change  |
| **   | 1120252 | VKN             | 06/01/07        | New datasheet  |
| *A   | 1246904 | VKN/AESA        | See ECN         | Added 550 and 500 MHz speed bins<br>Removed 375, 333, and 300 MHz speed bins<br>Added footnote # 2   |
| *B   | 1739283 | VKN/AESA        | See ECN         | Converted from Advance Information to Preliminary  |
| *C   | 2065806 | VKN/AESA        | See ECN         | Changed PLL lock time from 2048 cycles to 20 $\mu$ s<br>Added footnote # 22 related to I <sub>DD</sub><br>Corrected typo in the footnote # 26  |
| *D   | 2612383 | VKN/AESA        | 11/25/08        | Changed JTAG ID [31:29] from 001 to 000<br>Updated Power-up sequence waveform and its description<br>Included Thermal Resistance values<br>Changed the package size from 15 × 17 × 1.4 mm to 13 × 15 × 1.4 mm<br>Updated datasheet template  |
| *E   | 2683451 | VKN/PYRS        | 04/03/09        | Added note on top of the Ordering Information table<br>Moved to external web   |
| *F   | 2746858 | VKN             | 07/31/09        | Converted from preliminary to final<br>For 550 MHz, 500 MHz and 450 MHz bins, changed t <sub>CO</sub> , t <sub>CCQO</sub> , t <sub>CHZ</sub> specs to 450 ps and t <sub>DOH</sub> , t <sub>CQOH</sub> , t <sub>CLZ</sub> to -450 ps<br>Included Soft Error Immunity Data<br>Modified Ordering Information table by including parts that are available and modified the disclaimer for the Ordering information |
| *G   | 2870201 | NJY             | 02/01/10        | Added Contents.<br>No technical updates.   |
| *H   | 2894069 | NJY             | 03/17/10        | Removed inactive parts from Ordering information table.  |
| *I   | 2931775 | VKN             | 05/13/10        | Changed title.<br>Removed CY7C1563KV18 related information from the datasheet,<br>Changed Input Capacitance (C <sub>IN</sub> ) from 2 pF to 4 pF, and Output Capacitance (C <sub>O</sub> ) from 3 pF to 4 pF,<br>Included following parts in the Ordering information table:<br>CY7C1565KV18-550BZC, CY7C1565KV18-550BZXC,<br>CY7C1565KV18-550BZI, and CY7C1565KV18-550BZXI.                                   |
| *J   | 2981269 | NJY             | 07/15/10        | Added <a href="#">Pin Configuration</a> and <a href="#">Pin Definitions</a> sections that were missing in the previous revision.   |
| *K   | 3055013 | NJY             | 10/12/10        | Removed following parts from the Ordering Information table:<br>CY7C1565KV18-550BZC, CY7C1565KV18-550BZXC,<br>CY7C1565KV18-550BZI, and CY7C1565KV18-550BZXI.   |
| *L   | 3216622 | NJY             | 04/05/2011      | Template updates.  |

## Sales, Solutions, and Legal Information

### Worldwide Sales and Design Support

Cypress maintains a worldwide network of offices, solution centers, manufacturer's representatives, and distributors. To find the office closest to you, visit us at [Cypress Locations](#).

#### Products

|                          |  |
|--------------------------|--|
| Automotive               | <a href="http://cypress.com/go/automotive">cypress.com/go/automotive</a>   |
| Clocks & Buffers         | <a href="http://cypress.com/go/clocks">cypress.com/go/clocks</a>   |
| Interface                | <a href="http://cypress.com/go/interface">cypress.com/go/interface</a>   |
| Lighting & Power Control | <a href="http://cypress.com/go/powerpsoc">cypress.com/go/powerpsoc</a><br><a href="http://cypress.com/go/plc">cypress.com/go/plc</a> |
| Memory                   | <a href="http://cypress.com/go/memory">cypress.com/go/memory</a>   |
| Optical & Image Sensing  | <a href="http://cypress.com/go/image">cypress.com/go/image</a>   |
| PSoC                     | <a href="http://cypress.com/go/psoc">cypress.com/go/psoc</a>   |
| Touch Sensing            | <a href="http://cypress.com/go/touch">cypress.com/go/touch</a>   |
| USB Controllers          | <a href="http://cypress.com/go/USB">cypress.com/go/USB</a>   |
| Wireless/Rf              | <a href="http://cypress.com/go/wireless">cypress.com/go/wireless</a>   |

#### PSoC Solutions

[psoc.cypress.com/solutions](http://psoc.cypress.com/solutions)  
PSoC 1 | PSoC 3 | PSoC 5

---

© Cypress Semiconductor Corporation, 2007-2011. The information contained herein is subject to change without notice. Cypress Semiconductor Corporation assumes no responsibility for the use of any circuitry other than circuitry embodied in a Cypress product. Nor does it convey or imply any license under patent or other rights. Cypress products are not warranted nor intended to be used for medical, life support, life saving, critical control or safety applications, unless pursuant to an express written agreement with Cypress. Furthermore, Cypress does not authorize its products for use as critical components in life-support systems where a malfunction or failure may reasonably be expected to result in significant injury to the user. The inclusion of Cypress products in life-support systems application implies that the manufacturer assumes all risk of such use and in doing so indemnifies Cypress against all charges.

Any Source Code (software and/or firmware) is owned by Cypress Semiconductor Corporation (Cypress) and is protected by and subject to worldwide patent protection (United States and foreign), United States copyright laws and international treaty provisions. Cypress hereby grants to licensee a personal, non-exclusive, non-transferable license to copy, use, modify, create derivative works of, and compile the Cypress Source Code and derivative works for the sole purpose of creating custom software and or firmware in support of licensee product to be used only in conjunction with a Cypress integrated circuit as specified in the applicable agreement. Any reproduction, modification, translation, compilation, or representation of this Source Code except as specified above is prohibited without the express written permission of Cypress.

Disclaimer: CYPRESS MAKES NO WARRANTY OF ANY KIND, EXPRESS OR IMPLIED, WITH REGARD TO THIS MATERIAL, INCLUDING, BUT NOT LIMITED TO, THE IMPLIED WARRANTIES OF MERCHANTABILITY AND FITNESS FOR A PARTICULAR PURPOSE. Cypress reserves the right to make changes without further notice to the materials described herein. Cypress does not assume any liability arising out of the application or use of any product or circuit described herein. Cypress does not authorize its products for use as critical components in life-support systems where a malfunction or failure may reasonably be expected to result in significant injury to the user. The inclusion of Cypress' product in a life-support systems application implies that the manufacturer assumes all risk of such use and in doing so indemnifies Cypress against all charges.

Use may be limited by and subject to the applicable Cypress software license agreement.