

TAI-SAW TECHNOLOGY CO., LTD.

No. 3, Industrial 2nd Rd., Ping-Chen Industrial District,
Taoyuan, 324, Taiwan, R.O.C.

TEL: 886-3-4690038 FAX: 886-3-4697532

E-mail: tstsales@mail.taisaw.com Web: www.taisaw.com

Product Specifications Approval Sheet

Product Description: SAW Filter 793 MHz SMD 3.8X3.8 mm

TST Part No.: TA1131A

Customer Part No.: _____

Customer signature required
Company: _____
Division: _____
Approved by : _____
Date: _____

Checked by: _____ Bob Chau *Bob Chau*

Approved by: _____ Francis Chen *Francis Chen*

Date: _____ 11, 25, 2009

1. Customer signed back is required before TST can proceed with sample build and receive orders.
2. Orders received without customer signed back will be regarded as agreement on the specifications.
3. Any specifications changes must be approved upon by both parties and a new revision of specifications shall be released to reflect the changes.



TAI-SAW TECHNOLOGY CO., LTD.

No. 3, Industrial 2nd Rd., Ping-Chen Industrial District,
Taoyuan, 324, Taiwan, R.O.C.

TEL: 886-3-4690038 FAX: 886-3-4697532

E-mail: tstsales@mail.taisaw.com Web: www.taisaw.com

SAW Filter 793 MHz

MODEL NO.:TA1131A

REV. NO.:1

A. MAXIMUM RATING:

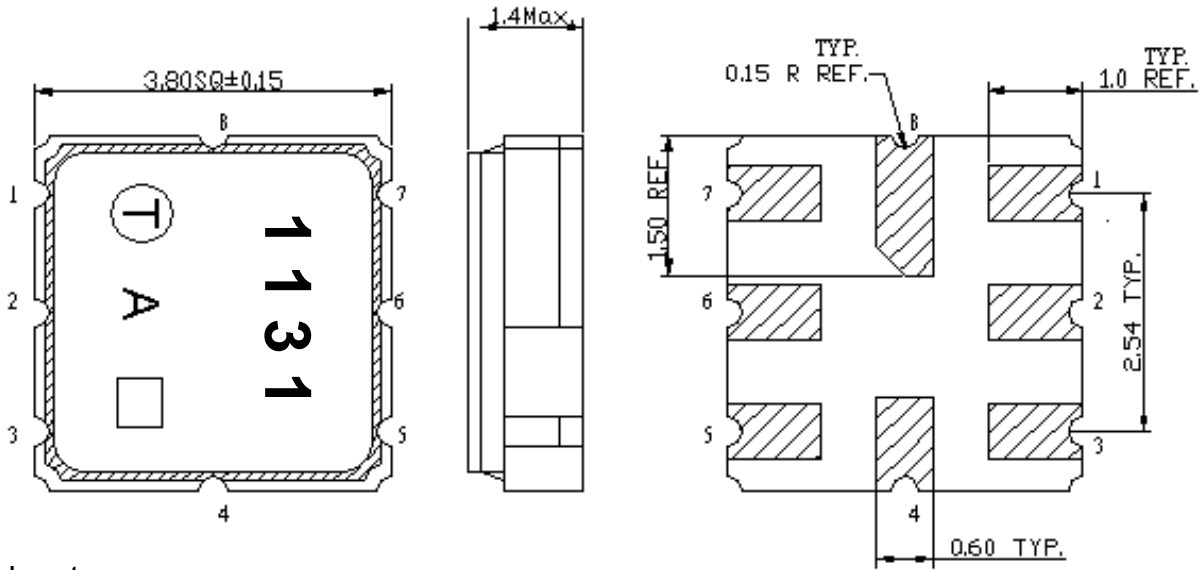
1. Input Power Level: +25 dBm
2. DC Voltage : 3V
3. Operating Temperature: 10°C to +50°C
4. Storage Temperature: -20°C to +85°C

RoHS Compliant
Lead free
Lead-free soldering

B. ELECTRICAL CHARACTERISTICS:

Item	Unit	Min.	Type.	Max.	Note
Center Frequency Fc	MHz	-	793	-	-
Insertion Loss (788~798 MHz) IL	dB	-	1.3	2.5	-
Amplitude Ripple (788~798 MHz)	dB	-	0.4	1.5	-
Return Loss (788~798 MHz)	dB	10	15	-	-
Attenuation (Reference level from 0 dB)					
0 ~ 700 MHz	dB	30	41	-	-
758 ~ 768 MHz	dB	45	57	-	-
848 ~ 890 MHz	dB	35	43	-	-
1000 ~ 2000 MHz	dB	25	42	-	-

C.OUTLINE DRAWING:



2 : Input

6: Output

1,3,4,5,7,8: Ground

△ : Year Code

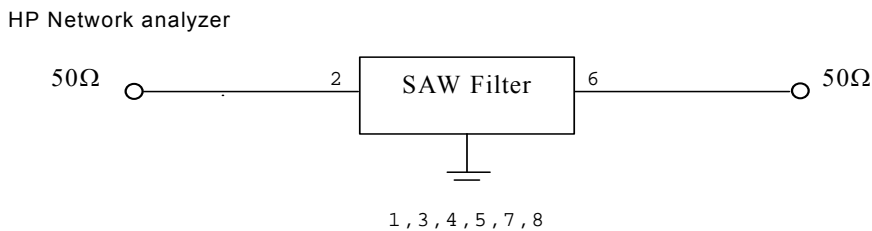
□ : Date Code(W01->A, W02->B, ..., W27->a, ..., W52->z)

Unit: mm

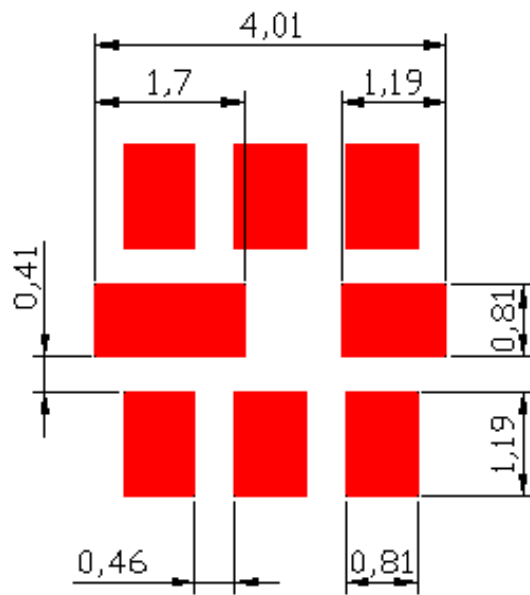
Product Year Code

Year	2009 2013	2010 2014	2011 2015	2012 2016
Product Code	A	a	A	a

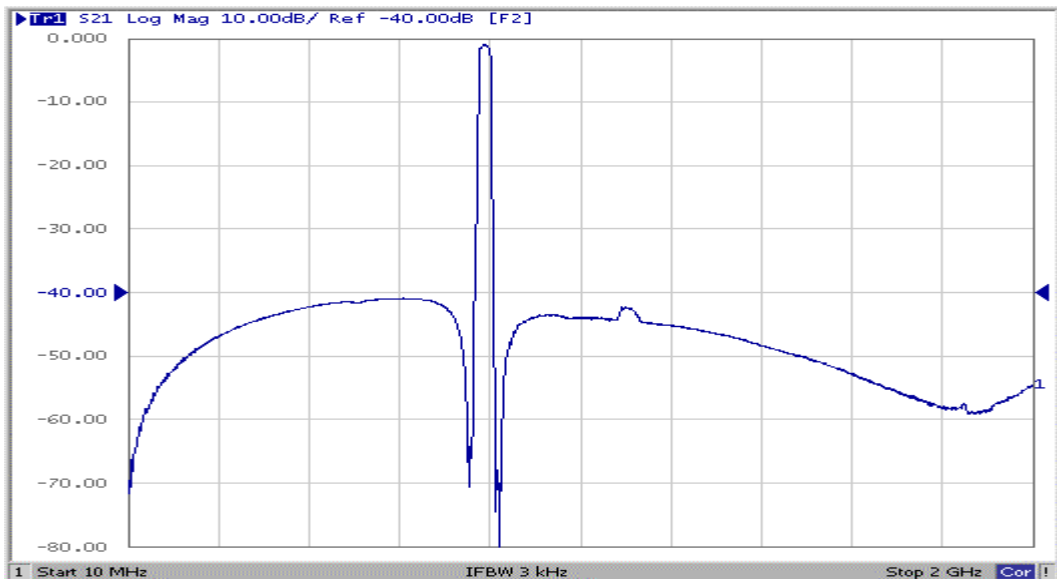
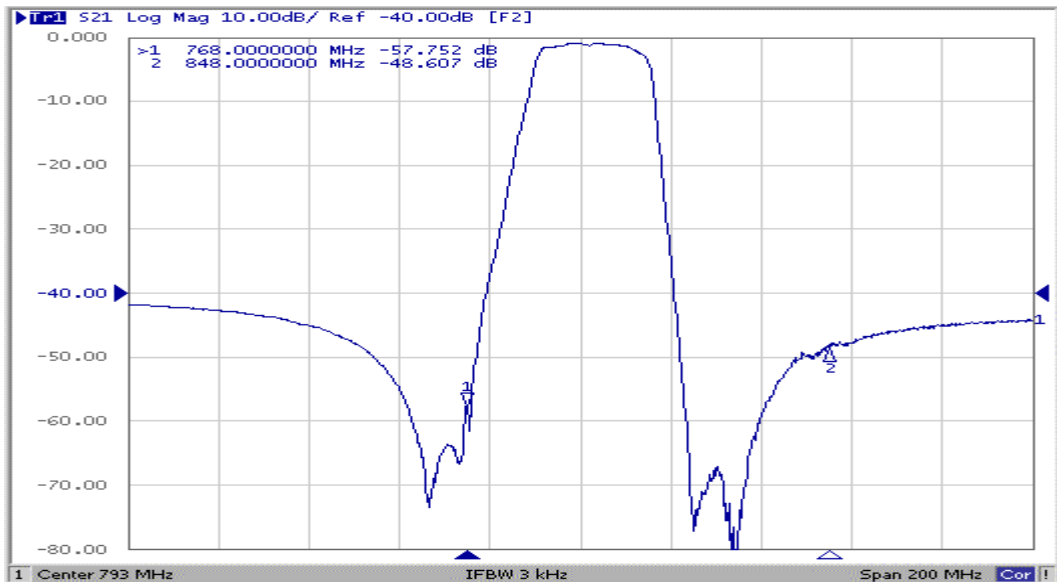
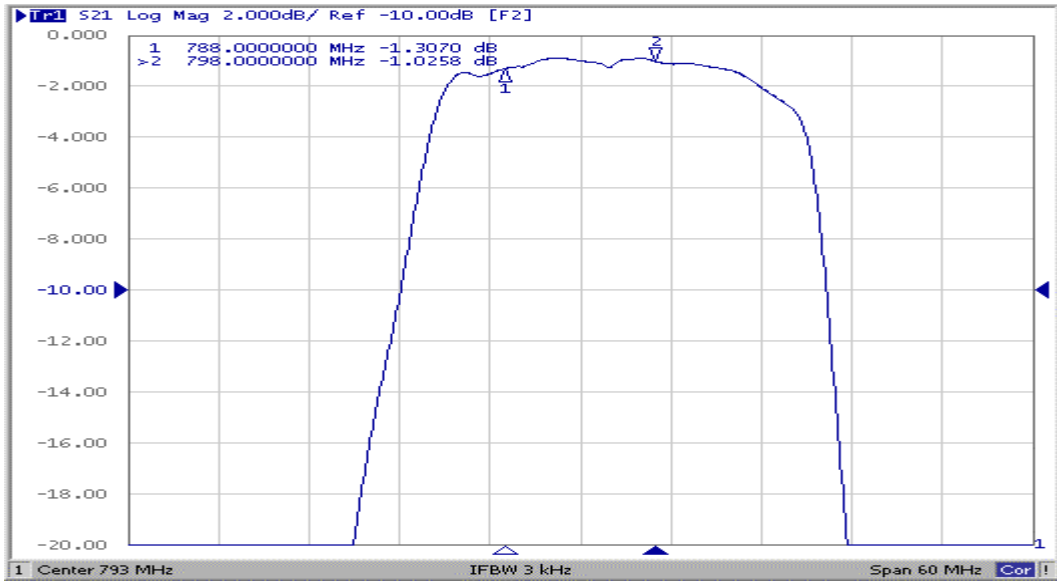
D. MEASUREMENT CIRCUIT:



E. PCB Footprint:

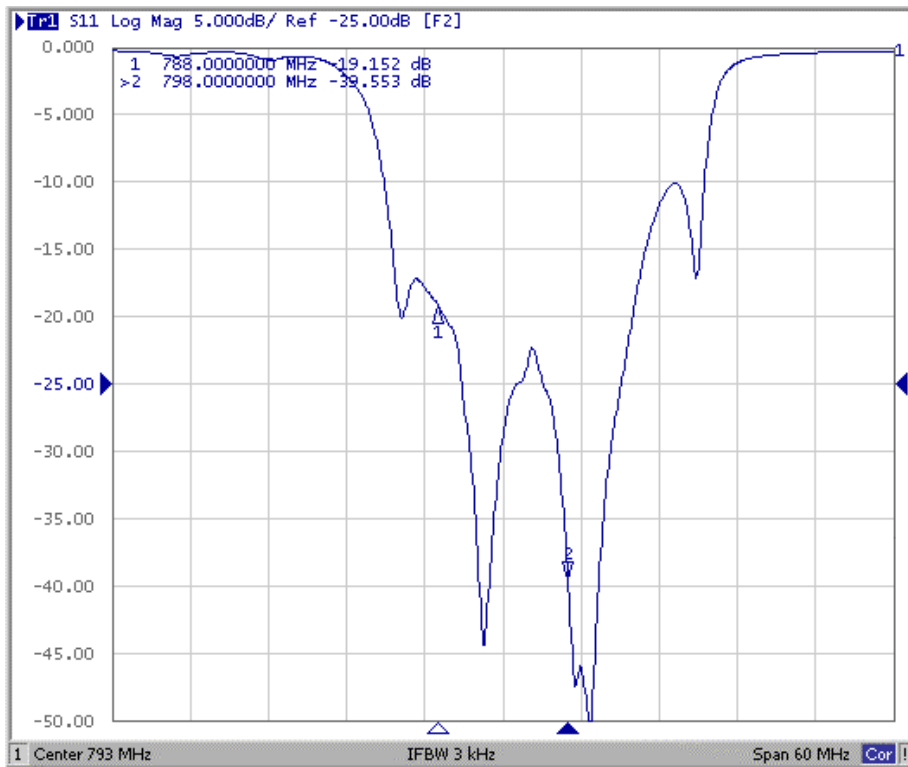


F. Frequency Characteristics :

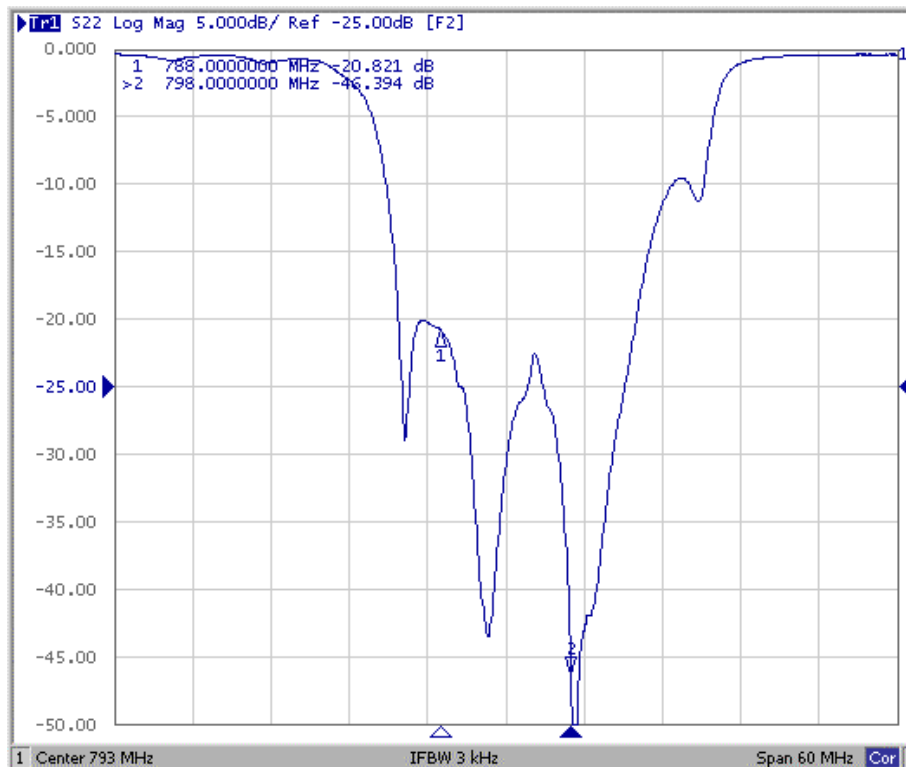


Reflection Functions :

S11



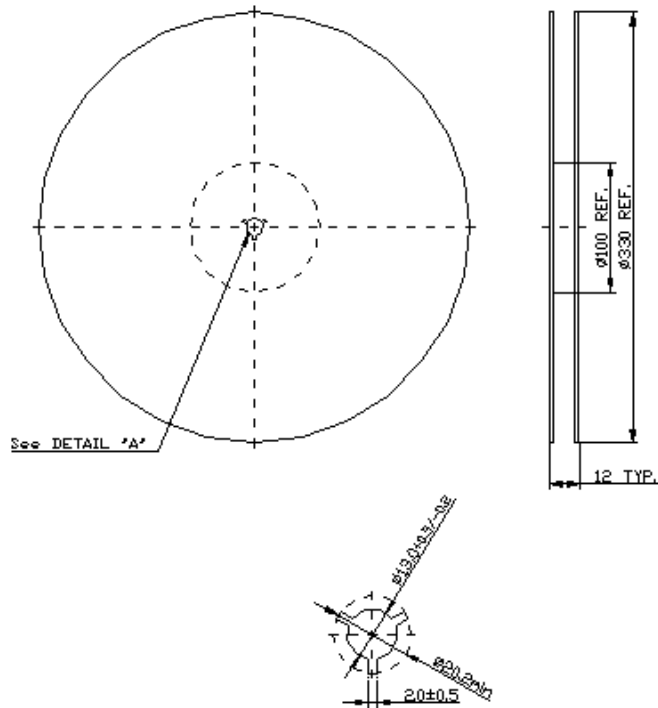
S22



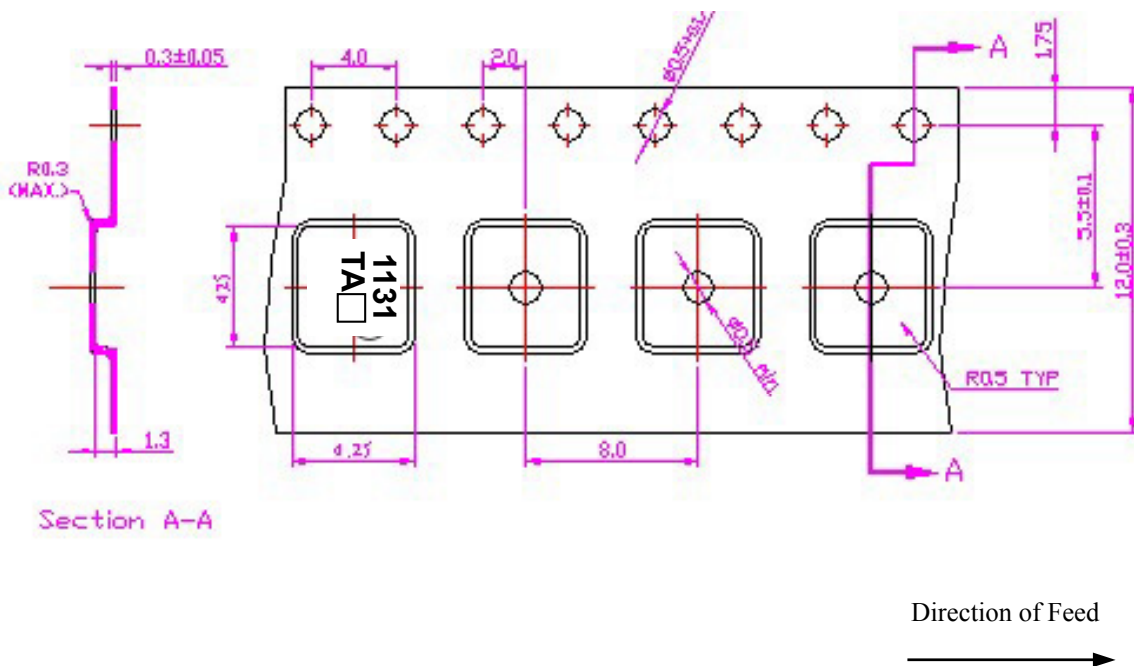
G. PACKING:

1. REEL DIMENSION

(Reel Count : 7"=1000 ; 13"=3000)



2. TAPE DIMENSION



H. RECOMMENDED REFLOW PROFILE :

