

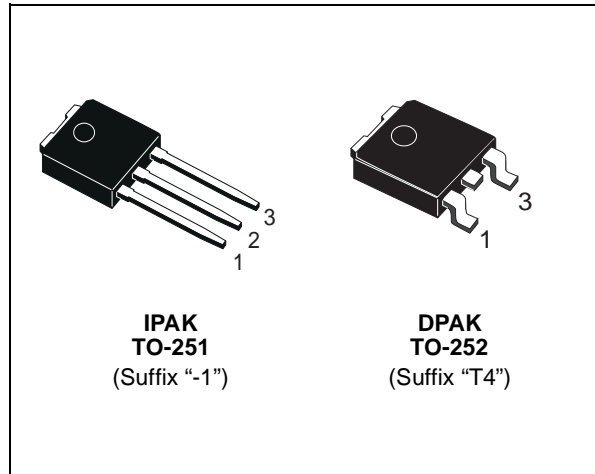


# STD100NH02L

## N-CHANNEL 24V - 0.0042 Ω - 60A DPAK/IPAK STripFET™ III POWER MOSFET

TYPE	V <sub>DSS</sub>	R <sub>DS(on)</sub>	I <sub>D</sub>
STD100NH02L	24 V	< 0.0048 Ω	60 A <sup>(2)</sup>

- TYPICAL R<sub>DS(on)</sub> = 0.0042 Ω @ 10 V
- TYPICAL R<sub>DS(on)</sub> = 0.005 Ω @ 5 V
- R<sub>DS(ON)</sub> \* Q<sub>g</sub> INDUSTRY'S BENCHMARK
- CONDUCTION LOSSES REDUCED
- SWITCHING LOSSES REDUCED
- LOW THRESHOLD DEVICE
- THROUGH-HOLE IPAK (TO-251) POWER PACKAGE IN TUBE (SUFFIX "-1")
- SURFACE-MOUNTING DPAK (TO-252) POWER PACKAGE IN TAPE & REEL (SUFFIX "T4")



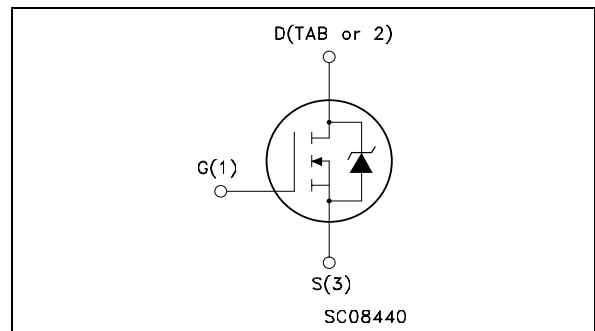
### DESCRIPTION

The STD100NH02L utilizes the latest advanced design rules of ST's proprietary STripFET™ technology. This is suitable for the most demanding DC-DC converter application where high efficiency is to be achieved.

### APPLICATIONS

- SPECIFICALLY DESIGNED AND OPTIMISED FOR HIGH EFFICIENCY DC/DC CONVERTERS

### INTERNAL SCHEMATIC DIAGRAM



### Ordering Information

SALES TYPE	MARKING	PACKAGE	PACKAGING
STD100NH02LT4	D100NH02L	TO-252	TAPE & REEL
STD100NH02L-1	D100NH02L	TO-251	TUBE

### ABSOLUTE MAXIMUM RATINGS

Symbol	Parameter	Value	Unit
V <sub>spike(1)</sub>	Drain-source Voltage Rating	30	V
V <sub>DS</sub>	Drain-source Voltage (V <sub>GS</sub> = 0)	24	V
V <sub>DGR</sub>	Drain-gate Voltage (R <sub>GS</sub> = 20 kΩ)	24	V
V <sub>GS</sub>	Gate- source Voltage	± 20	V
I <sub>D</sub> <sup>(2)</sup>	Drain Current (continuous) at T <sub>C</sub> = 25°C	60	A
I <sub>D</sub> <sup>(2)</sup>	Drain Current (continuous) at T <sub>C</sub> = 100°C	60	A
I <sub>DM</sub> <sup>(3)</sup>	Drain Current (pulsed)	240	A
P <sub>tot</sub>	Total Dissipation at T <sub>C</sub> = 25°C	100	W
	Derating Factor	0.67	W/°C
E <sub>AS</sub> <sup>(4)</sup>	Single Pulse Avalanche Energy	800	mJ
T <sub>stg</sub>	Storage Temperature	-55 to 175	°C
T <sub>j</sub>	Max. Operating Junction Temperature		

**STD100NH02L****THERMAL DATA**

Rthj-case	Thermal Resistance Junction-case	Max	1.5	°C/W
Rthj-amb	Thermal Resistance Junction-ambient	Max	100	°C/W
T <sub>I</sub>	Maximum Lead Temperature For Soldering Purpose		275	°C

**ELECTRICAL CHARACTERISTICS (T<sub>case</sub> = 25 °C UNLESS OTHERWISE SPECIFIED)**  
OFF

Symbol	Parameter	Test Conditions	Min.	Typ.	Max.	Unit
V <sub>(BR)DSS</sub>	Drain-source Breakdown Voltage	I <sub>D</sub> = 25 mA, V <sub>GS</sub> = 0	24			V
I <sub>DSS</sub>	Zero Gate Voltage Drain Current (V <sub>GS</sub> = 0)	V <sub>DS</sub> = 20 V V <sub>DS</sub> = 20 V T <sub>C</sub> = 125°C			1 10	μA μA
I <sub>GSS</sub>	Gate-body Leakage Current (V <sub>DS</sub> = 0)	V <sub>GS</sub> = ± 20V			±100	nA

## ON (5)

Symbol	Parameter	Test Conditions	Min.	Typ.	Max.	Unit
V <sub>GS(th)</sub>	Gate Threshold Voltage	V <sub>DS</sub> = V <sub>GS</sub> I <sub>D</sub> = 250 μA	1	1.8		V
R <sub>DS(on)</sub>	Static Drain-source On Resistance	V <sub>GS</sub> = 10 V I <sub>D</sub> = 30 A V <sub>GS</sub> = 5 V I <sub>D</sub> = 15 A		0.0042 0.005	0.0048 0.009	Ω Ω

## DYNAMIC

Symbol	Parameter	Test Conditions	Min.	Typ.	Max.	Unit
g <sub>fs</sub> (5)	Forward Transconductance	V <sub>DS</sub> = 10 V I <sub>D</sub> = 30 A		50		S
C <sub>iss</sub> C <sub>oss</sub> C <sub>riss</sub>	Input Capacitance Output Capacitance Reverse Transfer Capacitance	V <sub>DS</sub> = 15V f = 1 MHz V <sub>GS</sub> = 0		3940 1020 110		pF pF pF
R <sub>G</sub>	Gate Input Resistance	f = 1 MHz Gate DC Bias = 0 Test Signal Level = 20 mV Open Drain		1.1		Ω

# STD100NH02L

## ELECTRICAL CHARACTERISTICS (continued)

### SWITCHING ON

Symbol	Parameter	Test Conditions	Min.	Typ.	Max.	Unit
$t_{d(on)}$ $t_r$	Turn-on Delay Time Rise Time	$V_{DD} = 10\text{ V}$ $I_D = 30\text{ A}$ $R_G = 4.7\ \Omega$ $V_{GS} = 10\text{ V}$ (Resistive Load, Figure 3)		15 200		ns ns
$Q_g$ $Q_{gs}$ $Q_{gd}$	Total Gate Charge Gate-Source Charge Gate-Drain Charge	$V_{DD} = 10\text{ V}$ $I_D = 60\text{ A}$ $V_{GS} = 10\text{ V}$		62 12 8	84	nC nC nC
$Q_{oss}^{(6)}$	Output Charge	$V_{DS} = 16\text{ V}$ $V_{GS} = 0\text{ V}$		24		nC
$Q_{gls}^{(7)}$	Third-quadrant Gate Charge	$V_{DS} < 0\text{ V}$ $V_{GS} = 10\text{ V}$		56.5		nC

### SWITCHING OFF

Symbol	Parameter	Test Conditions	Min.	Typ.	Max.	Unit
$t_{d(off)}$ $t_f$	Turn-off Delay Time Fall Time	$V_{DD} = 10\text{ V}$ $I_D = 30\text{ A}$ $R_G = 4.7\ \Omega$ , $V_{GS} = 10\text{ V}$ (Resistive Load, Figure 3)		60 35	47	ns ns

### SOURCE DRAIN DIODE

Symbol	Parameter	Test Conditions	Min.	Typ.	Max.	Unit
$I_{SD}$ $I_{SDM}$	Source-drain Current Source-drain Current (pulsed)				60 240	A A
$V_{SD}^{(5)}$	Forward On Voltage	$I_{SD} = 30\text{ A}$ $V_{GS} = 0$			1.3	V
$t_{rr}$ $Q_{rr}$ $I_{RRM}$	Reverse Recovery Time Reverse Recovery Charge Reverse Recovery Current	$I_{SD} = 60\text{ A}$ $di/dt = 100\text{ A}/\mu\text{s}$ $V_{DD} = 15\text{ V}$ $T_j = 150^\circ\text{C}$ (see test circuit, Figure 5)		47 58 2.5		ns nC A

(1) Guaranteed when external  $R_g = 4.7\ \Omega$  and  $t_f < t_{fmax}$ .

(2) Value limited by wire bonding

(3) Pulse width limited by safe operating area.

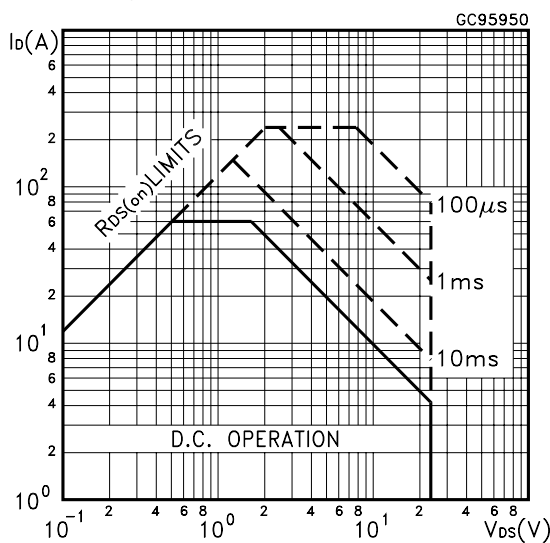
(4) Starting  $T_j = 25^\circ\text{C}$ ,  $I_D = 30\text{ A}$ ,  $V_{DD} = 15\text{ V}$ .

(5) Pulsed: Pulse duration = 300  $\mu\text{s}$ , duty cycle 1.5 %.

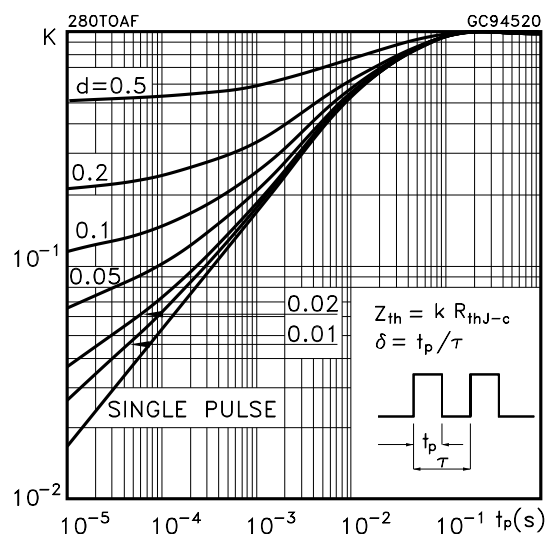
(6)  $Q_{oss} = C_{oss} \cdot \Delta V_{in}$ ,  $C_{oss} = C_{gd} + C_{ds}$ . See Appendix A

(7) Gate charge for synchronous operation

### Safe Operating Area

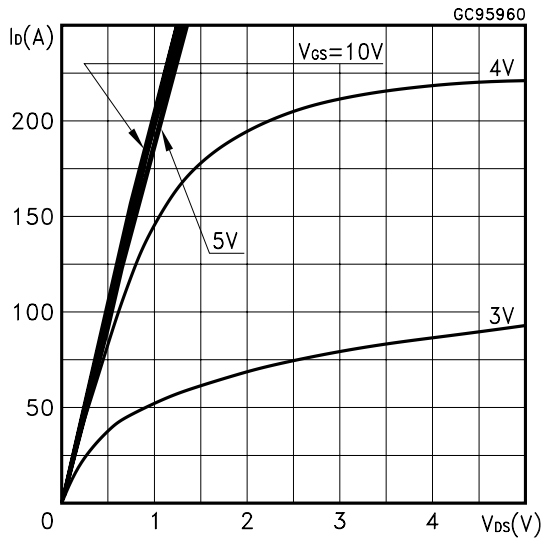


### Thermal Impedance

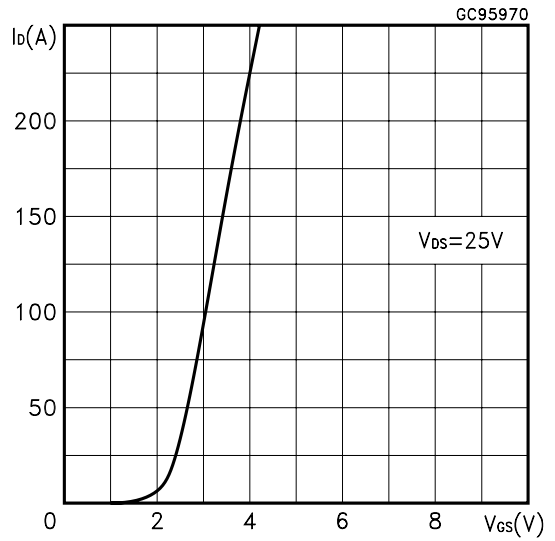


# STD100NH02L

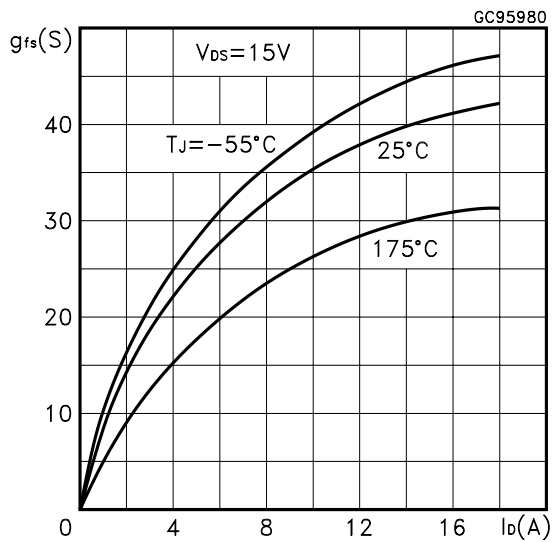
Output Characteristics



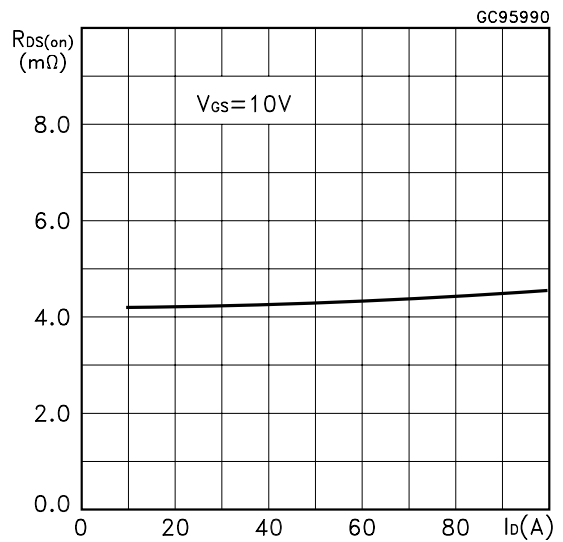
Transfer Characteristics



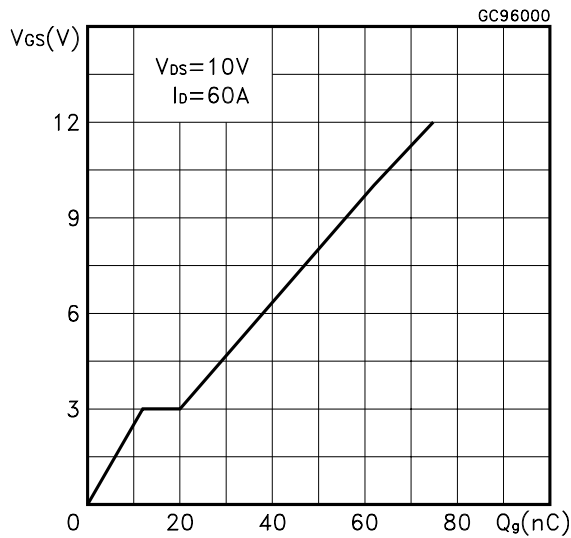
Transconductance



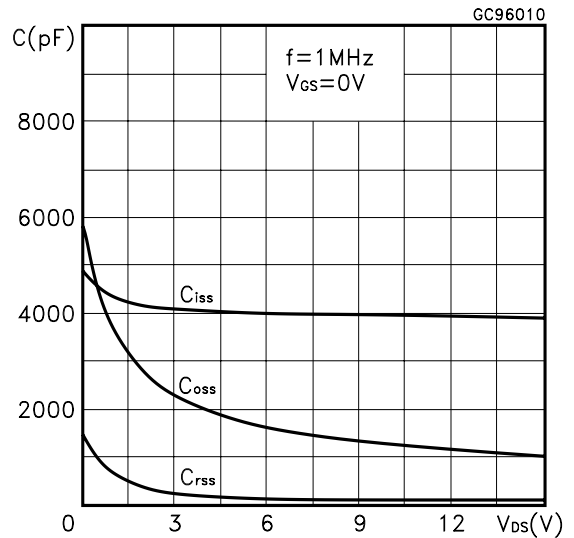
Static Drain-source On Resistance



Gate Charge vs Gate-source Voltage

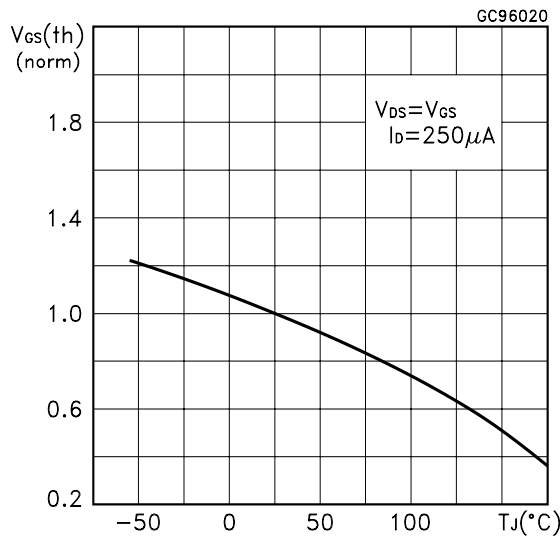


Capacitance Variations

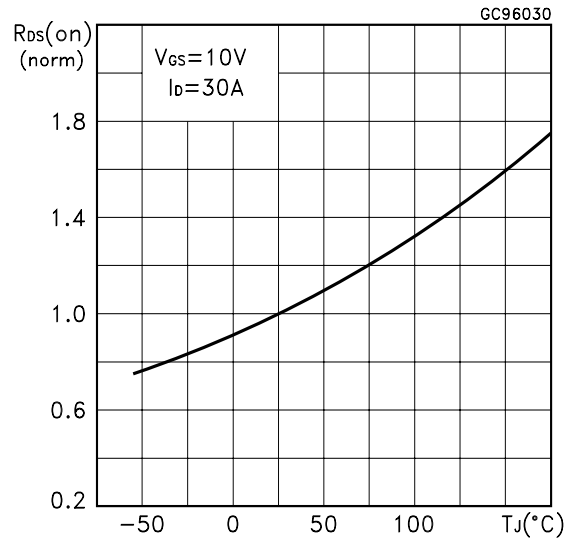


# STD100NH02L

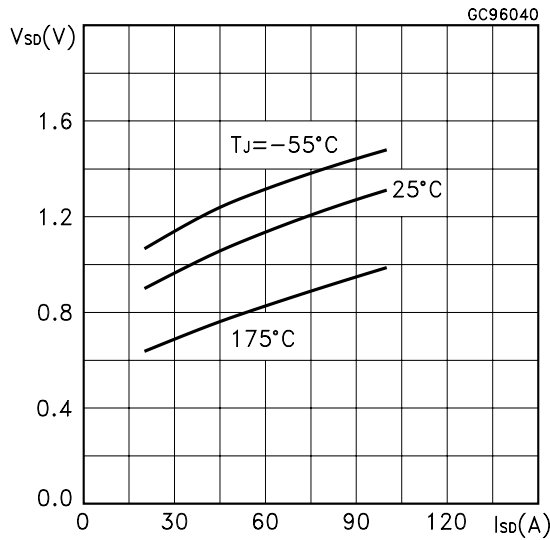
Normalized Gate Threshold Voltage vs Temperature



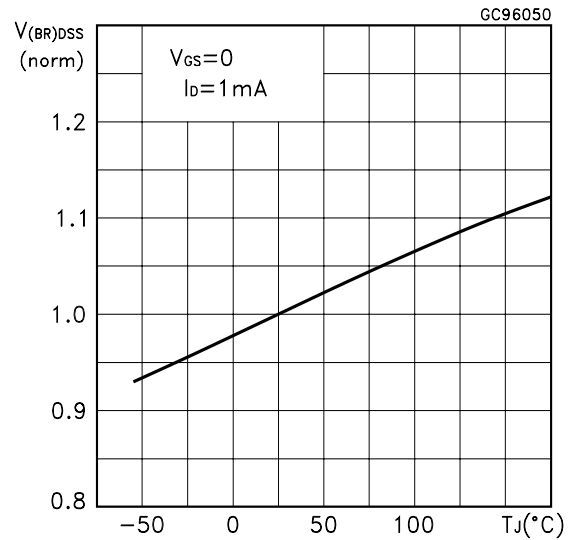
Normalized on Resistance vs Temperature



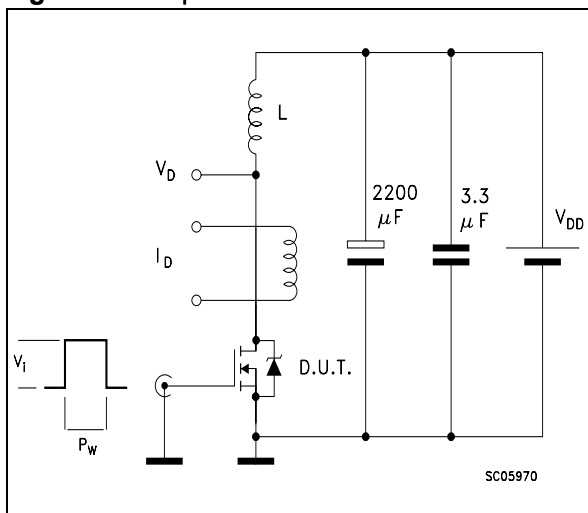
Source-drain Diode Forward Characteristics



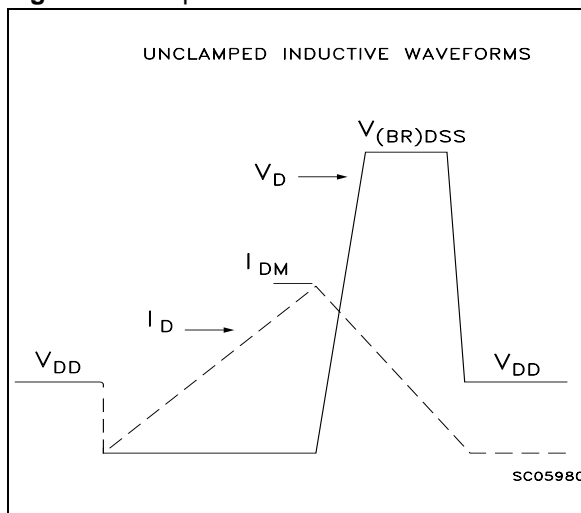
Normalized Breakdown Voltage vs Temperature



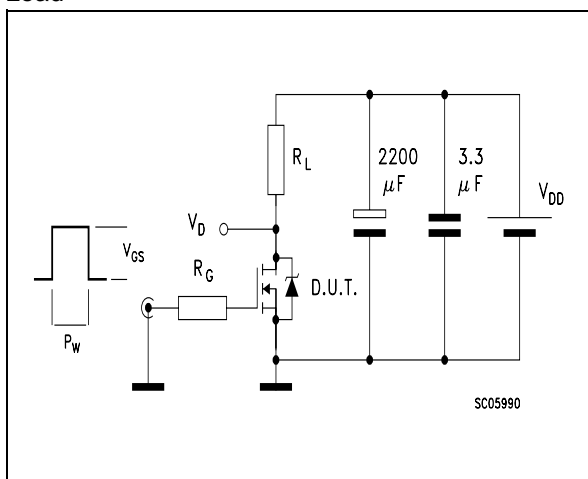
**Fig. 1: Unclamped Inductive Load Test Circuit**



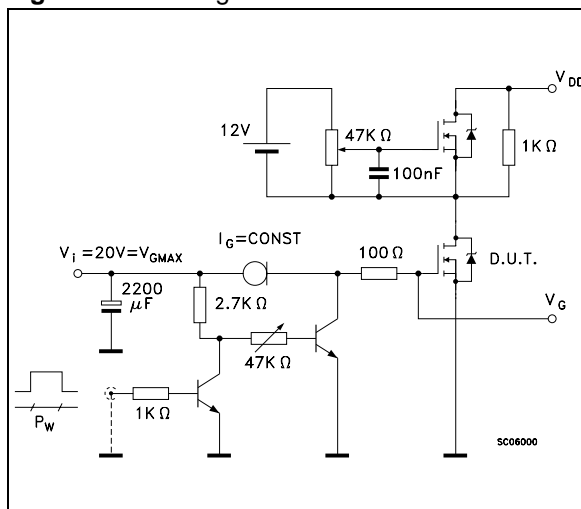
**Fig. 2: Unclamped Inductive Waveform**



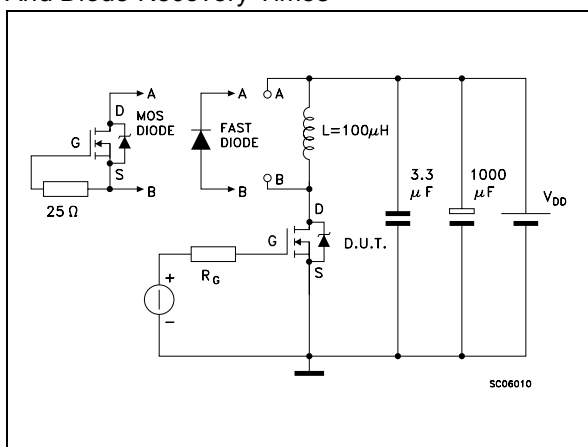
**Fig. 3: Switching Times Test Circuits For Resistive Load**



**Fig. 4: Gate Charge test Circuit**

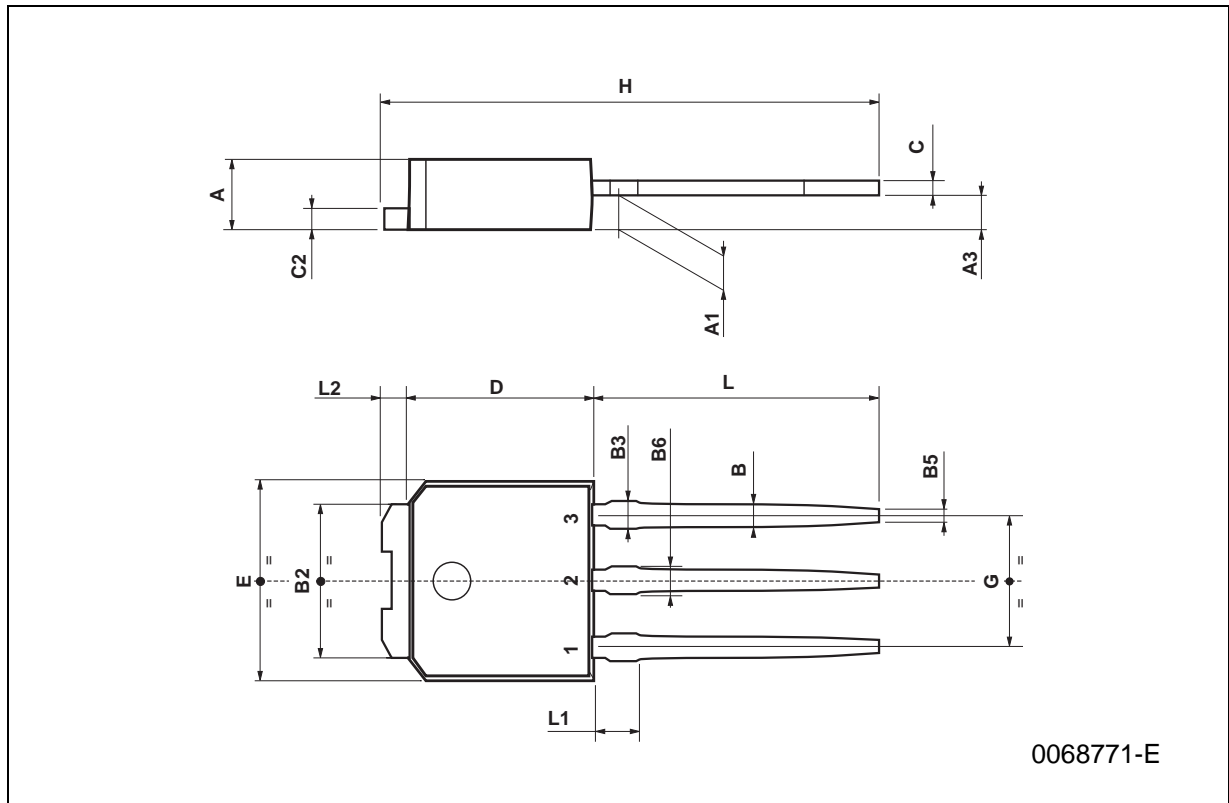


**Fig. 5: Test Circuit For Inductive Load Switching And Diode Recovery Times**



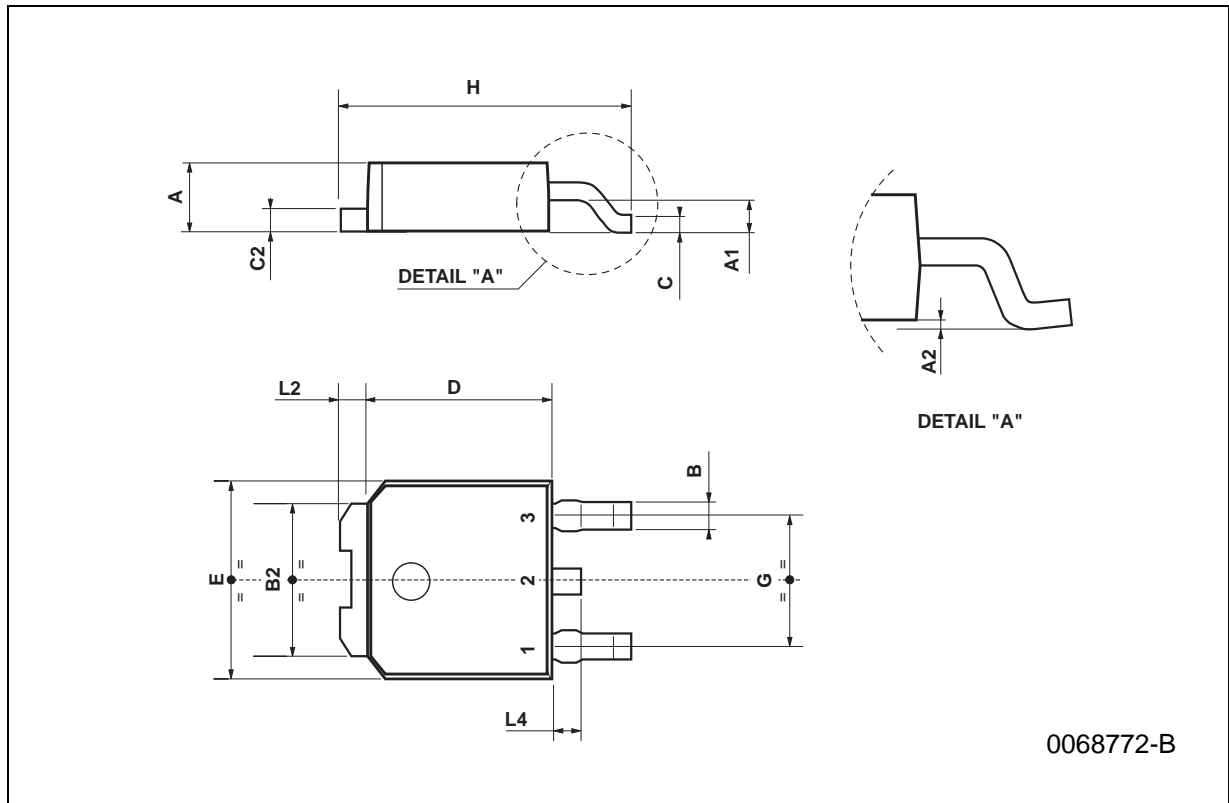
**TO-251 (IPAK) MECHANICAL DATA**

DIM.	mm			inch		
	MIN.	TYP.	MAX.	MIN.	TYP.	MAX.
A	2.2		2.4	0.086		0.094
A1	0.9		1.1	0.035		0.043
A3	0.7		1.3	0.027		0.051
B	0.64		0.9	0.025		0.031
B2	5.2		5.4	0.204		0.212
B3			0.85			0.033
B5		0.3			0.012	
B6			0.95			0.037
C	0.45		0.6	0.017		0.023
C2	0.48		0.6	0.019		0.023
D	6		6.2	0.236		0.244
E	6.4		6.6	0.252		0.260
G	4.4		4.6	0.173		0.181
H	15.9		16.3	0.626		0.641
L	9		9.4	0.354		0.370
L1	0.8		1.2	0.031		0.047
L2		0.8	1		0.031	0.039



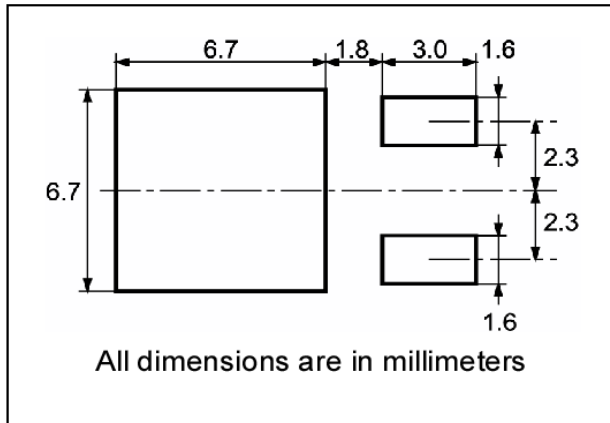
**TO-252 (DPAK) MECHANICAL DATA**

DIM.	mm			inch		
	MIN.	TYP.	MAX.	MIN.	TYP.	MAX.
A	2.2		2.4	0.086		0.094
A1	0.9		1.1	0.035		0.043
A2	0.03		0.23	0.001		0.009
B	0.64		0.9	0.025		0.035
B2	5.2		5.4	0.204		0.212
C	0.45		0.6	0.017		0.023
C2	0.48		0.6	0.019		0.023
D	6		6.2	0.236		0.244
E	6.4		6.6	0.252		0.260
G	4.4		4.6	0.173		0.181
H	9.35		10.1	0.368		0.397
L2		0.8			0.031	
L4	0.6		1	0.023		0.039

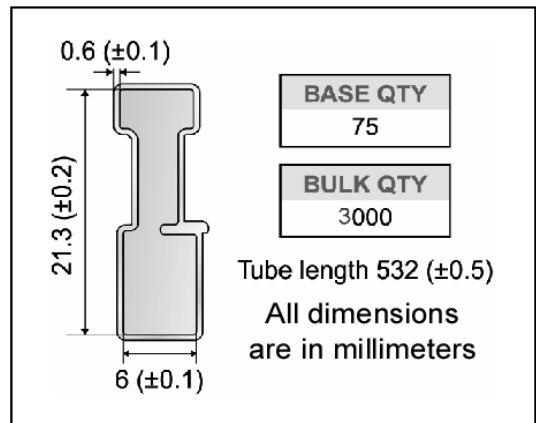




**DPAK FOOTPRINT**



**TUBE SHIPMENT (no suffix)\***



**TAPE AND REEL SHIPMENT (suffix "T4")\***

40 mm min. Access hole at slot location

Full radius

Tape slot in core for tape start 2.5mm min. width

**REEL MECHANICAL DATA**

DIM.	mm		inch	
	MIN.	MAX.	MIN.	MAX.
A		330		12.992
B	1.5		0.059	
C	12.8	13.2	0.504	0.520
D	20.2		0.795	
G	16.4	18.4	0.645	0.724
N	50		1.968	
T		22.4		0.881

<b>BASE QTY</b>	<b>BULK QTY</b>
1000	1000

**TAPE MECHANICAL DATA**

DIM.	mm		inch	
	MIN.	MAX.	MIN.	MAX.
A0	6.8	7	0.267	0.275
B0	10.4	10.6	0.409	0.417
B1		12.1		0.476
D	1.5	1.6	0.059	0.063
D1	1.5		0.059	
E	1.65	1.85	0.065	0.073
F	7.4	7.6	0.291	0.299
K0	2.55	2.75	0.100	0.108
P0	3.9	4.1	0.153	0.161
P1	7.9	8.1	0.311	0.319
P2	1.9	2.1	0.075	0.082
R	40		1.574	
W	15.7	16.3	0.618	0.641

For machine ref. only including draft and radii concentric around B0

10 pitches cumulative tolerance on tape +/- 0.2 mm

User Direction of Feed

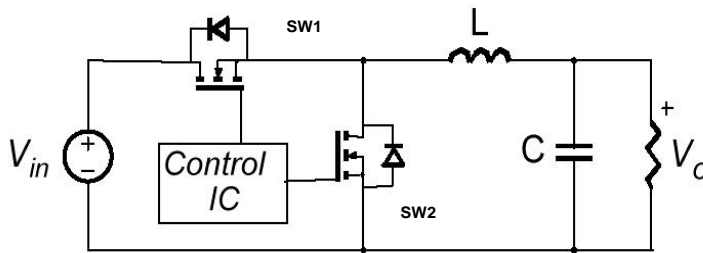
Center line of cavity

FEED DIRECTION

Bending radius R min.

## APPENDIX A

### Buck Converter: Power Losses Estimation



The power losses associated with the FETs in a Synchronous Buck converter can be estimated using the equations shown in the table below. The formulas give a good approximation, for the sake of performance comparison, of how different pairs of devices affect the converter efficiency. However a very important parameter, the working temperature, is not considered. The real device behavior is really dependent on how the heat generated inside the devices is removed to allow for a safer working junction temperature.

The low side (SW2) device requires:

- Very low  $R_{DS(on)}$  to reduce conduction losses
- Small  $Q_{gls}$  to reduce the gate charge losses
- Small  $C_{oss}$  to reduce losses due to output capacitance
- Small  $Q_{rr}$  to reduce losses on SW<sub>1</sub> during its turn-on
- The  $C_{gd}/C_{gs}$  ratio lower than  $V_{th}/V_{gg}$  ratio especially with low drain to source voltage to avoid the cross conduction phenomenon;

The high side (SW1) device requires:

- Small  $R_g$  and  $L_s$  to allow higher gate current peak and to limit the voltage feedback on the gate
- Small  $Q_g$  to have a faster commutation and to reduce gate charge losses
- Low  $R_{DS(on)}$  to reduce the conduction losses.

		High Side Switch (SW1)	Low Side Switch (SW2)
P <sub>conduction</sub>		$R_{DS(on)SW1} * I_L^2 * d$	$R_{DS(on)SW2} * I_L^2 * (1-d)$
P <sub>switching</sub>		$V_{in} * (Q_{gsth(SW1)} + Q_{gd(SW1)}) * f * \frac{I_L}{I_g}$	Zero Voltage Switching
P <sub>diode</sub>	Recovery	Not Applicable	<sup>1</sup> V <sub>in</sub> * Q <sub>rr(SW2)</sub> * f
	Conduction	Not Applicable	V <sub>f(SW2)</sub> * I <sub>L</sub> * t <sub>deadtime</sub> * f
P <sub>gate(Q<sub>G</sub>)</sub>		$Q_{g(SW1)} * V_{gg} * f$	$Q_{gls(SW2)} * V_{gg} * f$
P <sub>Qoss</sub>		$\frac{V_{in} * Q_{oss(SW1)} * f}{2}$	$\frac{V_{in} * Q_{oss(SW2)} * f}{2}$

Parameter	Meaning
d	Duty-cycle
Q <sub>gsth</sub>	Post threshold gate charge
Q <sub>gls</sub>	Third quadrant gate charge
P <sub>conduction</sub>	On state losses
P <sub>switching</sub>	On-off transition losses
P <sub>diode</sub>	Conduction and reverse recovery diode losses
P <sub>gate</sub>	Gate drive losses
P <sub>Qoss</sub>	Output capacitance losses

<sup>1</sup> Dissipated by SW1 during turn-on

Information furnished is believed to be accurate and reliable. However, STMicroelectronics assumes no responsibility for the consequences of use of such information nor for any infringement of patents or other rights of third parties which may result from its use. No license is granted by implication or otherwise under any patent or patent rights of STMicroelectronics. Specifications mentioned in this publication are subject to change without notice. This publication supersedes and replaces all information previously supplied. STMicroelectronics products are not authorized for use as critical components in life support devices or systems without express written approval of STMicroelectronics.

The ST logo is registered trademark of STMicroelectronics  
All other names are the property of their respective owners.

© 2003 STMicroelectronics - All Rights Reserved

STMicroelectronics GROUP OF COMPANIES

Australia - Belgium - Brazil - Canada - China - Czech Republic - Finland - France - Germany - Hong Kong - India - Israel - Italy - Japan -  
Malaysia - Malta - Morocco - Singapore - Spain - Sweden - Switzerland - United Kingdom - United States.

[www.st.com](http://www.st.com)