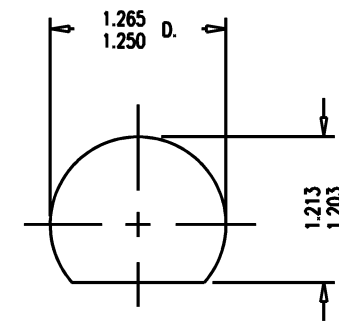
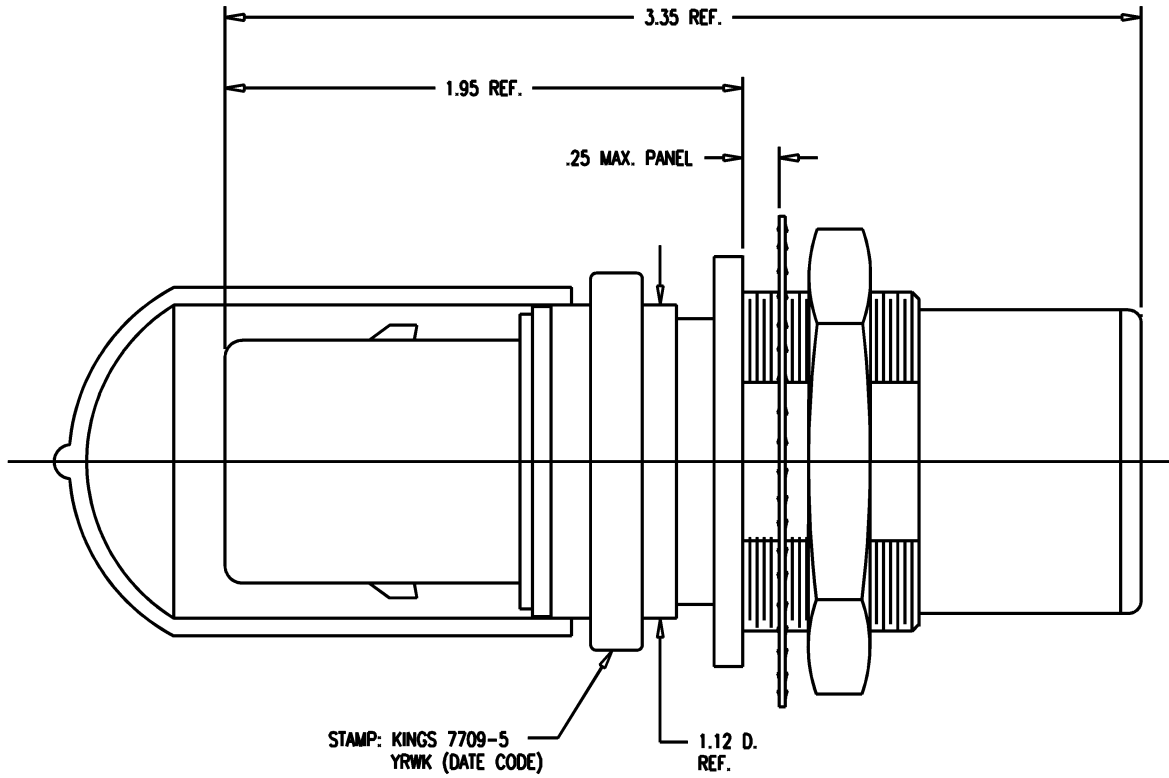


DASH NO.	M CODE	MADE FROM
----------	--------	-----------

SD



MOUNTING HOLE

SD

REVISIONS	
ISSUE	CHANGES
0	ER 35443 KH 04/10/95
1	CN 36674 C KH 11/03/95
2	CN 37274 D PG 03/13/97
3	CN 37894 E TML 10/07/99

7709-5

7709-5SD

NOTES:

1. MATERIALS:
 - INSULATORS-TEFLON, ASTM-D-4894
 - LOCKWASHER-SPRING STEEL, PER ASTM A682
 - CONDUCTIVE GASKET-CONSIL C 87-10004, 60-70 DUROMETER
 - GASKETS-SILICONE RUBBER, ZZ-R-765
 - CAP-VINYL
 - K-GRIP SLEEVE-COMMERCIAL BRONZE, ASTM-B-135
 - OUTER CONTACT-PHOSPHOR BRONZE, ASTM-B-103
 - BODY-BER. COP., ASTM-B-196
 - CENTER CONTACT F: BER. COP., ASTM-B-196
 - ALL OTHER METAL PARTS-BRASS, ASTM-B16

2. FINISHES:
 - CENTER CONTACTS-GOLD PLATE PER MIL-G-45204
 - LOCKWASHER
 - NUTS
 - COLLET
 - OUTER BODIES
 - BODY RING
 - ALL OTHER METAL PARTS-SILVER PLATE PER QQ-S-365
 } KINGS TARNISH RESISTANT NICKEL FINISH (TR-5)
3. ELECTRICAL CHARACTERISTICS:
 - NOMINAL IMPEDANCE: 75 OHMS
 - FREQUENCY RANGE: DC-500 MHZ
 - VOLTAGE BREAKDOWN: CENTER CONDUCTOR/INNER GROUND: 1500 VRMS
 - INNER GROUND/OUTER GROUND: 500 VRMS

SCALE 2:1	
APPROX SURFACE AREA	
USED ON	
REF: KP-8040-007-001	
ADPT, M-F, BKHD, TRI-LOC, SERIAL DIGITAL	
DRAWN KH	DATE 04/20/95
DESIGN DW	DATE 04/21/95
APPR.	DATE

KINGS
ELECTRONICS CO., INC.
ROCK HILL, SOUTH CAROLINA 29730

7709-5