

# DATA SHEET

**74ABT16501A**

**18-bit universal bus transceiver (3-State)**

Product data

2002 Apr 03

Replaces 74ABT16501A/74ABTH16501A dated 1998 Feb 27

## 18-bit universal bus transceiver (3-State)

## 74ABT16501A

## FEATURES

- 18-bit bidirectional bus interface
- 3-State buffers
- Output capability: +64 mA/–32 mA
- TTL input and output switching levels
- Live insertion/extraction permitted
- Power-up reset
- Power-up 3-State
- Positive edge-triggered clock inputs
- Latch-up protection exceeds 500mA per JEDEC Std 17
- ESD protection exceeds 2000 V per MIL STD 883 Method 3015 and 200 V per Machine Model
- Flexible operation permits 18 embedded D-type latches or flip-flops to operate in clocked, transparent, and latched modes.

## DESCRIPTION

The 74ABT16501A high-performance BiCMOS device combines low static and dynamic power dissipation with high speed and high output drive.

This device is an 18-bit universal transceiver featuring non-inverting 3-State bus compatible outputs in both send and receive directions. Data flow in each direction is controlled by output enable (OEAB and OEBA), latch enable (LEAB and LEBA), and clock (CPAB and CPBA) inputs. For A-to-B data flow, the device operates in the transparent mode when LEAB is HIGH. When LEAB is LOW, the A data is latched if CPAB is held at a HIGH or LOW logic level. If LEAB is LOW, the A-bus data is stored in the latch/flip-flop on the LOW-to-HIGH transition of CPAB. When OEAB is HIGH, the outputs are active. When OEAB is LOW, the outputs are in the high-impedance state.

Data flow for B-to-A is similar to that of A-to-B but uses OEBA, LEBA and CPBA. The output enables are complimentary (OEAB is Active-HIGH, and OEBA is Active-LOW).

## QUICK REFERENCE DATA

SYMBOL	PARAMETER	CONDITIONS $T_{amb} = 25\text{ }^{\circ}\text{C}; \text{GND} = 0\text{ V}$	TYPICAL	UNIT
$t_{PLH}$ $t_{PHL}$	Propagation delay An to Bn or Bn to An	$C_L = 50\text{ pF};$ $V_{CC} = 5\text{ V}$	2.2 1.8	ns
$C_{IN}$	Input capacitance (Control pins)	$V_I = 0\text{ V}$ or $V_{CC}$	3	pF
$C_{I/O}$	I/O pin capacitance	Outputs disabled; $V_{I/O} = 0\text{ V}$ or $V_{CC}$	7	pF
$I_{CCZ}$	Quiescent supply current	Outputs disabled; $V_{CC} = 5.5\text{ V}$	500	$\mu\text{A}$
$I_{CCL}$		Outputs LOW; $V_{CC} = 5.5\text{ V}$	9	mA

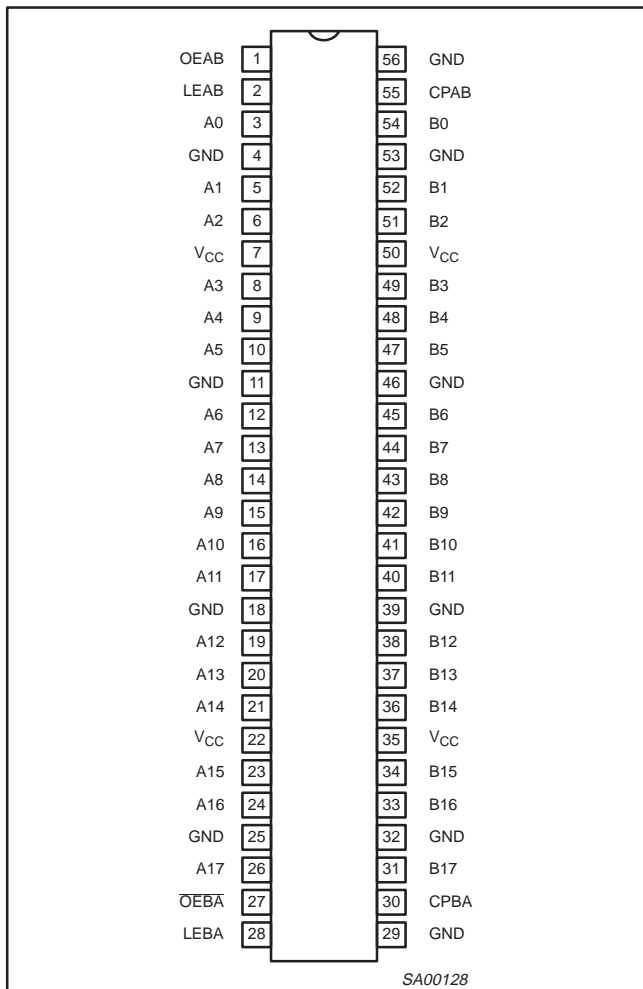
## ORDERING INFORMATION

PACKAGES	TEMPERATURE RANGE	ORDER CODE	DWG NUMBER
56-Pin Plastic SSOP Type III	–40 °C to +85 °C	74ABT16501ADL	SOT371-1
56-Pin Plastic TSSOP Type II	–40 °C to +85 °C	74ABT16501ADGG	SOT364-1

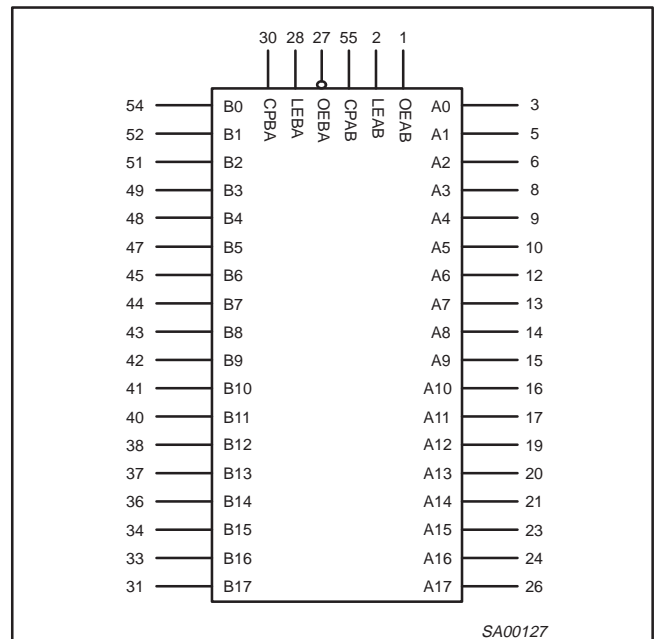
# 18-bit universal bus transceiver (3-State)

# 74ABT16501A

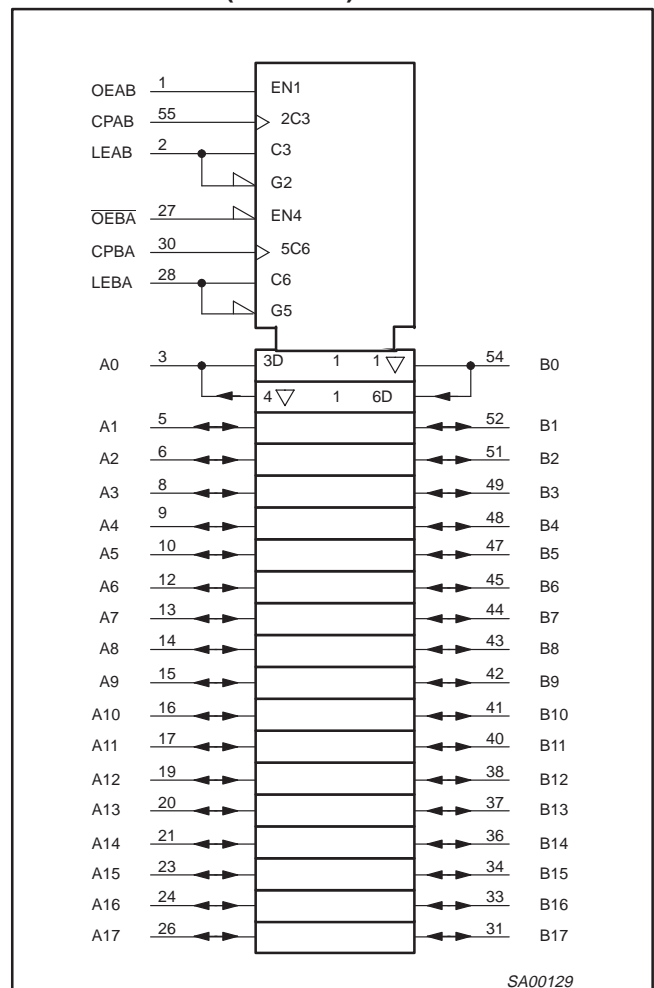
## PIN CONFIGURATION



## LOGIC SYMBOL



## LOGIC SYMBOL (IEEE/IEC)



## PIN DESCRIPTION

PIN NUMBER	SYMBOL	NAME AND FUNCTION
1	OEAB	A-to-B Output enable input
27	OEBA	B-to-A Output enable input (Active-LOW)
2, 28	LEAB/LEBA	A-to-B/B-to-A Latch enable input
55, 30	CPAB/CPBA	A-to-B/B-to-A Clock input (active rising edge)
3, 5, 6, 8, 9, 10, 12, 13, 14, 15, 16, 17, 19, 20, 21, 23, 24, 26	A0-A17	Data inputs/outputs (A side)
54, 52, 51, 49, 48, 47, 45, 44, 43, 42, 41, 40, 38, 37, 36, 34, 33, 31	B0-B17	Data inputs/outputs (B side)
4, 11, 18, 25, 32, 39, 46, 53	GND	Ground (0 V)
7, 22, 35, 50	V <sub>CC</sub>	Positive supply voltage

18-bit universal bus transceiver (3-State)

74ABT16501A

**FUNCTION TABLE**

INPUTS				Internal Registers	OUTPUTS	OPERATING MODE
OEAB	LEAB	CPAB	An		Bn	
L	H	X	X	X	Z	Disabled
L	↓	X	h	H	Z	Disabled, Latch data
L	↓	X	l	L	Z	
L	L	H or L	X	NC	Z	Disabled, Hold data
L	L	↑	h	H	Z	Disabled, Clock data
L	L	↑	l	L	Z	
H	H	X	H	H	H	Transparent
H	H	X	L	L	L	
H	↓	X	h	H	H	Latch data & display
H	↓	X	l	L	L	
H	L	↑	h	H	H	Clock data & display
H	L	↑	l	L	L	
H	L	H or L	X	H	H	Hold data & display
H	L	H or L	X	L	L	

**NOTE:** A-to-B data flow is shown; B-to-A flow is similar but uses OEBA, LEBA, and CPBA.

H = High voltage level

h = High voltage level one set-up time prior to the Enable or Clock transition

L = Low voltage level

l = Low voltage level one set-up time prior to the Enable or Clock transition

NC= No Change

X = Don't care

Z = High Impedance "off" state

↓ = HIGH-to-LOW Enable or Clock transition

↑ = LOW-to-HIGH Clock transition



## 18-bit universal bus transceiver (3-State)

74ABT16501A

**ABSOLUTE MAXIMUM RATINGS<sup>1, 2</sup>**

SYMBOL	PARAMETER	CONDITIONS	RATING	UNIT
V <sub>CC</sub>	DC supply voltage		-0.5 to +7.0	V
I <sub>IK</sub>	DC input diode current	V <sub>I</sub> < 0 V	-18	mA
V <sub>I</sub>	DC input voltage <sup>3</sup>		-1.2 to +7.0	V
I <sub>OK</sub>	DC output diode current	V <sub>O</sub> < 0 V	-50	mA
V <sub>OUT</sub>	DC output voltage <sup>3</sup>	Output in Off or HIGH state	-0.5 to +5.5	V
I <sub>OUT</sub>	DC output current	Output in LOW state	128	mA
		Output in HIGH state	-64	
T <sub>stg</sub>	Storage temperature range		-65 to +150	°C

**NOTES:**

- Stresses beyond those listed may cause permanent damage to the device. These are stress ratings only and functional operation of the device at these or any other conditions beyond those indicated under "recommended operating conditions" is not implied. Exposure to absolute-maximum-rated conditions for extended periods may affect device reliability.
- The performance capability of a high-performance integrated circuit in conjunction with its thermal environment can create junction temperatures which are detrimental to reliability. The maximum junction temperature of this integrated circuit should not exceed 150 °C.
- The input and output negative voltage ratings may be exceeded if the input and output clamp current ratings are observed.

**RECOMMENDED OPERATING CONDITIONS**

SYMBOL	PARAMETER	LIMITS		UNIT
		MIN	MAX	
V <sub>CC</sub>	DC supply voltage	4.5	5.5	V
V <sub>I</sub>	Input voltage	0	V <sub>CC</sub>	V
V <sub>IH</sub>	HIGH-level input voltage	2.0	-	V
V <sub>IL</sub>	Input voltage	-	0.8	V
I <sub>OH</sub>	HIGH-level output current	-	-32	mA
I <sub>OL</sub>	LOW-level output current	-	64	mA
Δt/Δv	Input transition rise or fall rate; Outputs enabled	-	10	ns/V
T <sub>amb</sub>	Operating free-air temperature range	-40	+85	°C

## 18-bit universal bus transceiver (3-State)

74ABT16501A

## DC ELECTRICAL CHARACTERISTICS

SYMBOL	PARAMETER	TEST CONDITIONS	LIMITS					UNIT	
			T <sub>amb</sub> = +25 °C			T <sub>amb</sub> = -40 °C to +85 °C			
			MIN	TYP	MAX	MIN	MAX		
V <sub>IK</sub>	Input clamp voltage	V <sub>CC</sub> = 4.5 V; I <sub>IK</sub> = -18 mA	-	-0.8	-1.2	-	-1.2	V	
V <sub>OH</sub>	High-level output voltage	V <sub>CC</sub> = 4.5 V; I <sub>OH</sub> = -3 mA; V <sub>I</sub> = V <sub>IL</sub> or V <sub>IH</sub>	2.5	2.9	-	2.5	-	V	
		V <sub>CC</sub> = 5.0 V; I <sub>OH</sub> = -3 mA; V <sub>I</sub> = V <sub>IL</sub> or V <sub>IH</sub>	3.0	4.0	-	3.0	-	V	
		V <sub>CC</sub> = 4.5 V; I <sub>OH</sub> = -32 mA; V <sub>I</sub> = V <sub>IL</sub> or V <sub>IH</sub>	2.0	2.4	-	2.0	-	V	
V <sub>OL</sub>	Low-level output voltage	V <sub>CC</sub> = 4.5 V; I <sub>OL</sub> = 64 mA; V <sub>I</sub> = V <sub>IL</sub> or V <sub>IH</sub>	-	0.35	0.55	-	0.55	V	
V <sub>RST</sub>	Power-up output voltage <sup>3</sup>	V <sub>CC</sub> = 5.5 V; I <sub>O</sub> = 1 mA; V <sub>I</sub> = GND or V <sub>CC</sub>	-	0.13	0.55	-	0.55	V	
I <sub>I</sub>	Input leakage current	V <sub>CC</sub> = 5.5 V; V <sub>I</sub> = GND or 5.5 V	Control pins	-	±0.01	±1.0	-	±1.0	µA
I <sub>OFF</sub>	Power-off leakage current	V <sub>CC</sub> = 0.0 V; V <sub>O</sub> or V <sub>I</sub> ≤ 4.5 V		-	±2	±100	-	±100	µA
I <sub>PU/PD</sub>	Power-up/down 3-State output current <sup>4</sup>	V <sub>CC</sub> = 2.1 V; V <sub>O</sub> = 0.0 V or V <sub>CC</sub> ; V <sub>I</sub> = GND or V <sub>CC</sub> ; V <sub>OE</sub> = Don't care		-	±2	±50	-	±50	µA
I <sub>IH</sub> + I <sub>OZH</sub>	3-State output High current	V <sub>CC</sub> = 5.5 V; V <sub>O</sub> = 5.5 V; V <sub>I</sub> = V <sub>IL</sub> or V <sub>IH</sub>		-	1.0	10	-	10	µA
I <sub>IL</sub> + I <sub>OZL</sub>	3-State output Low current	V <sub>CC</sub> = 5.5 V; V <sub>O</sub> = 0.0 V; V <sub>I</sub> = V <sub>IL</sub> or V <sub>IH</sub>		-	-1.0	-10	-	-10	µA
I <sub>CEX</sub>	Output High leakage current	V <sub>CC</sub> = 5.5 V; V <sub>O</sub> = 5.5 V; V <sub>I</sub> = GND or V <sub>CC</sub>		-	2.0	50	-	50	µA
I <sub>O</sub>	Output current <sup>1</sup>	V <sub>CC</sub> = 5.5 V; V <sub>O</sub> = 2.5 V		-50	-80	-180	-50	-180	mA
I <sub>CCH</sub>	Quiescent supply current	V <sub>CC</sub> = 5.5 V; Outputs HIGH, V <sub>I</sub> = GND or V <sub>CC</sub>		-	0.5	2	-	2	mA
I <sub>CCL</sub>		V <sub>CC</sub> = 5.5 V; Outputs LOW, V <sub>I</sub> = GND or V <sub>CC</sub>		-	9	19	-	19	mA
I <sub>CCZ</sub>		V <sub>CC</sub> = 5.5 V; Outputs 3-State; V <sub>I</sub> = GND or V <sub>CC</sub>		-	0.5	2	-	2	mA
ΔI <sub>CC</sub>	Additional supply current per input pin <sup>2</sup>	V <sub>CC</sub> = 5.5 V; one input at 3.4 V, other inputs at V <sub>CC</sub> or GND		-	5.0	50	-	50	µA

## NOTES:

- Not more than one output should be tested at a time, and the duration of the test should not exceed one second.
- This is the increase in supply current for each input at 3.4 V.
- For valid test results, data must not be loaded into the flip-flops (or latches) after applying the power.
- This parameter is valid for any V<sub>CC</sub> between 0 V and 2.1 V, with a transition time of up to 10 msec. From V<sub>CC</sub> = 2.1 V to V<sub>CC</sub> = 5 V ± 10% a transition time of up to 100 µsec is permitted.

# 18-bit universal bus transceiver (3-State)

74ABT16501A

## AC CHARACTERISTICS

GND = 0 V,  $t_R = t_F = 2.5 \text{ ns}$ ,  $C_L = 50 \text{ pF}$ ,  $R_L = 500 \Omega$

SYMBOL	PARAMETER	WAVEFORM	LIMITS					UNIT
			$T_{amb} = +25 \text{ }^\circ\text{C}$ $V_{CC} = +5.0 \text{ V}$			$T_{amb} = -40 \text{ }^\circ\text{C to } +85 \text{ }^\circ\text{C}$ $V_{CC} = +5.0 \text{ V } \pm 0.5 \text{ V}$		
			MIN	TYP	MAX	MIN	MAX	
$f_{max}$	Maximum clock frequency	1	150	225		150		MHz
$t_{PLH}$ $t_{PHL}$	Propagation delay An to Bn or Bn to An	2	1.0 1.0	2.2 1.8	3.0 2.5	1.0 1.0	3.5 3.0	ns
$t_{PLH}$ $t_{PHL}$	Propagation delay LEAB to Bn or LEBA to An	3	1.5 1.4	3.2 2.9	4.3 3.8	1.5 1.4	5.0 4.2	ns
$t_{PLH}$ $t_{PHL}$	Propagation delay CPAB to Bn or CPBA to An	1	1.6 1.4	3.5 2.9	4.5 3.8	1.6 1.4	5.0 4.2	ns
$t_{PZH}$ $t_{PZL}$	Output enable time to HIGH and LOW level	5 6	1.1 1.0	3.0 2.4	4.0 3.4	1.1 1.0	4.7 3.9	ns
$t_{PHZ}$ $t_{PLZ}$	Output disable time from HIGH and LOW level	5 6	1.3 1.0	3.3 2.4	4.3 3.4	1.3 1.0	5.3 3.9	ns

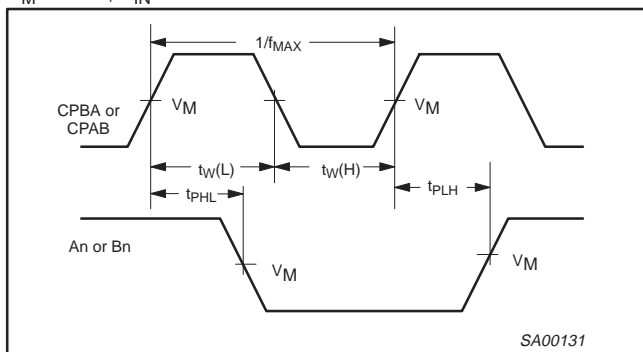
## AC SETUP REQUIREMENTS

GND = 0V,  $t_R = t_F = 2.5\text{ns}$ ,  $C_L = 50\text{pF}$ ,  $R_L = 500\Omega$

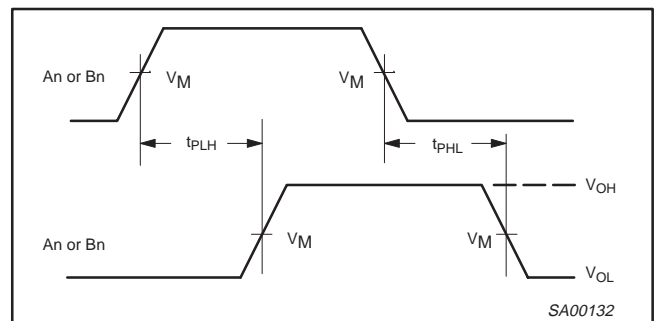
SYMBOL	PARAMETER	WAVEFORM	LIMITS			UNIT
			$T_{amb} = +25 \text{ }^\circ\text{C}$ $V_{CC} = +5.0 \text{ V}$		$T_{amb} = -40 \text{ }^\circ\text{C to } +85 \text{ }^\circ\text{C}$ $V_{CC} = +5.0 \text{ V } \pm 0.5 \text{ V}$	
			MIN	TYP	MIN	
$t_s(H)$ $t_s(L)$	Setup time, HIGH or LOW An to CPAB or Bn to CPBA	4	2.0 2.0	0.5 0.5	2.0 2.0	ns
$t_h(H)$ $t_h(L)$	Hold time, HIGH or LOW An to CPAB or Bn to CPBA	4	0.7 0.7	-0.5 -0.5	0.7 0.7	ns
$t_s(H)$ $t_s(L)$	Setup time, HIGH or LOW An to LEAB or Bn to LEBA	4	2.0 2.0	0.5 0.4	2.0 2.0	ns
$t_h(H)$ $t_h(L)$	Hold time HIGH or LOW An to LEAB or Bn to LEBA	4	0.7 0.7	-0.4 -0.5	0.7 0.7	ns
$t_w$	Pulse width, HIGH or LOW CPAB or CPBA	1	3	1.9	3	ns
$t_w(H)$	Pulse width, HIGH LEAB or LEBA	3	3	1.2	3	ns

## AC WAVEFORMS

$V_M = 1.5 \text{ V}$ ,  $V_{IN} = \text{GND to } 3.0 \text{ V}$



**Waveform 1. Propagation Delay, Clock Input to Output, Clock Pulse Width, and Maximum Clock Frequency**



**Waveform 2. Propagation Delay, Transparent Mode**

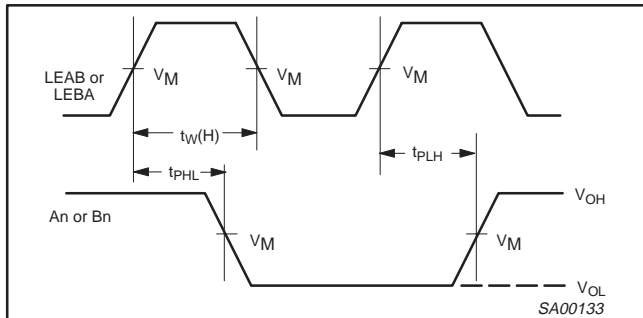


# 18-bit universal bus transceiver (3-State)

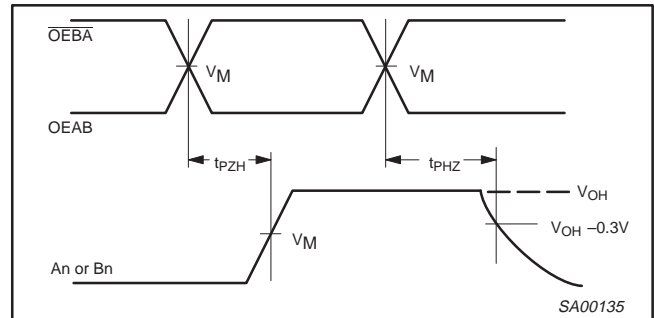
# 74ABT16501A

## AC WAVEFORMS (Continued)

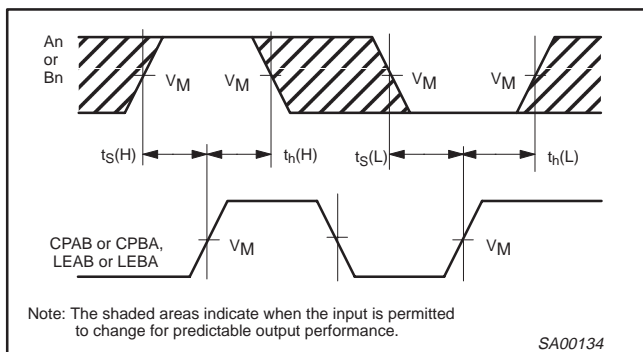
$V_M = 1.5\text{ V}$ ,  $V_{IN} = \text{GND to } 3.0\text{ V}$



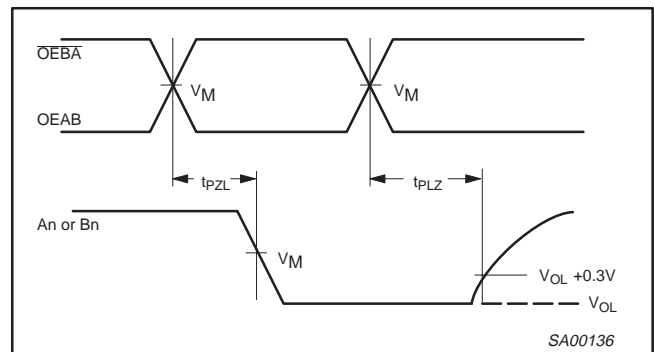
**Waveform 3. Propagation Delay, Enable to Output, and Enable Pulse Width**



**Waveform 5. 3-State Output Enable Time to High Level and Output Disable Time from High Level**



**Waveform 4. Data Set-up and Hold Times**



**Waveform 6. 3-State Output Enable Time to Low Level and Output Disable Time from Low Level**

## TEST CIRCUIT AND WAVEFORMS

**Test Circuit for 3-State Outputs**

$V_M = 1.5\text{ V}$   
Input Pulse Definition

**SWITCH POSITION**

TEST	SWITCH
$t_{pLZ}$	closed
$t_{pZL}$	closed
All other	open

**DEFINITIONS**

$R_L$  = Load resistor; see AC CHARACTERISTICS for value.  
 $C_L$  = Load capacitance includes jig and probe capacitance; see AC CHARACTERISTICS for value.  
 $R_T$  = Termination resistance should be equal to  $Z_{OUT}$  of pulse generators.

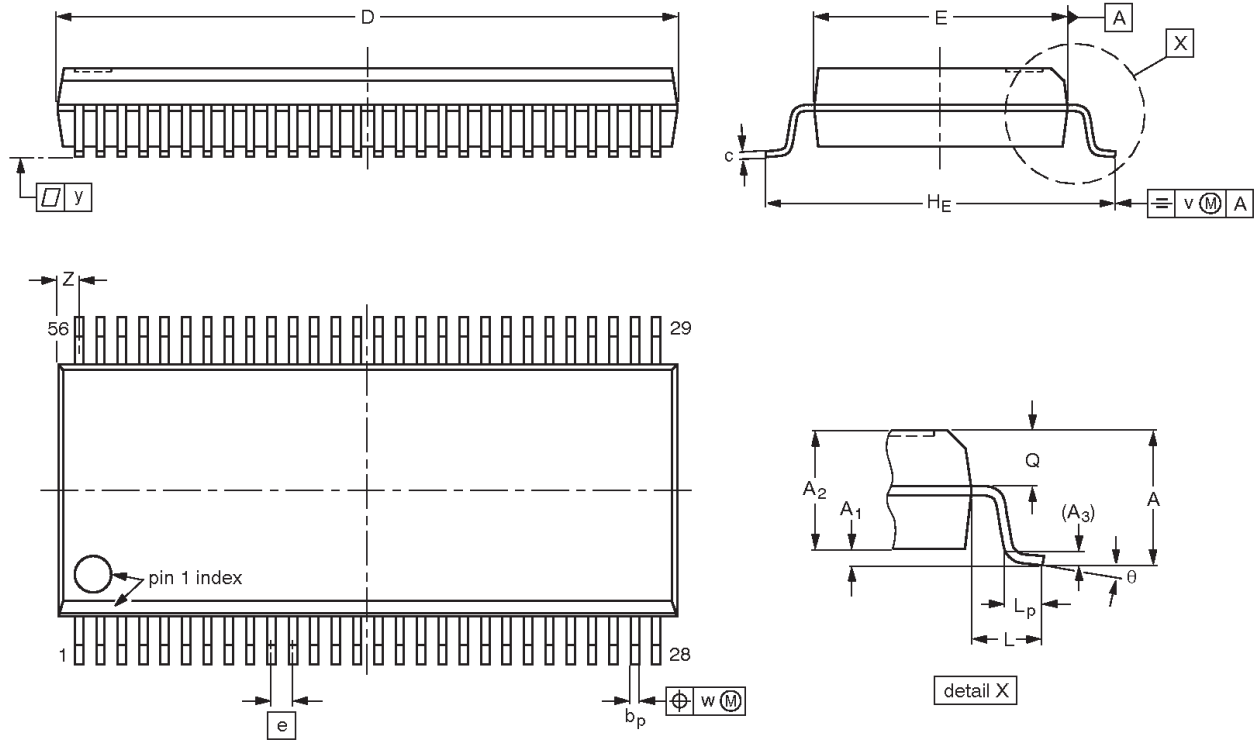
FAMILY	INPUT PULSE REQUIREMENTS				
	Amplitude	Rep. Rate	$t_w$	$t_R$	$t_F$
74ABT/H16	3.0V	1MHz	500ns	2.5ns	2.5ns

# 18-bit universal bus transceiver (3-State)

# 74ABT16501A

**SSOP56: plastic shrink small outline package; 56 leads; body width 7.5 mm**

**SOT371-1**



**DIMENSIONS (mm are the original dimensions)**

UNIT	A max.	A <sub>1</sub>	A <sub>2</sub>	A <sub>3</sub>	b <sub>p</sub>	c	D <sup>(1)</sup>	E <sup>(1)</sup>	e	H <sub>E</sub>	L	L <sub>p</sub>	Q	v	w	y	Z <sup>(1)</sup>	θ
mm	2.8	0.4 0.2	2.35 2.20	0.25	0.3 0.2	0.22 0.13	18.55 18.30	7.6 7.4	0.635	10.4 10.1	1.4	1.0 0.6	1.2 1.0	0.25	0.18	0.1	0.85 0.40	8° 0°

**Note**

1. Plastic or metal protrusions of 0.25 mm maximum per side are not included.

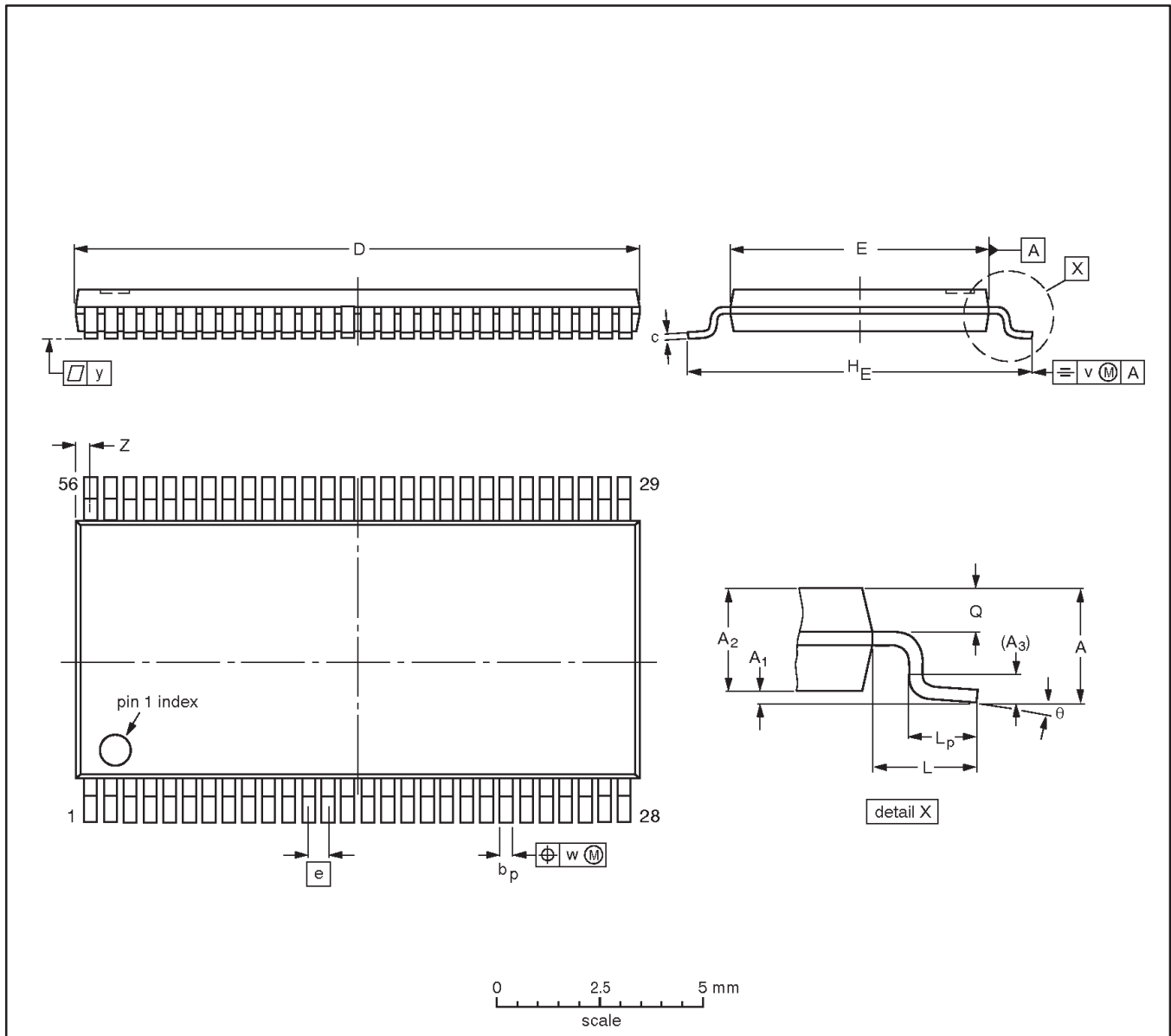
OUTLINE VERSION	REFERENCES				EUROPEAN PROJECTION	ISSUE DATE
	IEC	JEDEC	EIAJ			
SOT371-1		MO-118				95-02-04 99-12-27

# 18-bit universal bus transceiver (3-State)

# 74ABT16501A

**TSSOP56:** plastic thin shrink small outline package; 56 leads; body width 6.1 mm

**SOT364-1**



**DIMENSIONS (mm are the original dimensions).**

UNIT	A max.	A <sub>1</sub>	A <sub>2</sub>	A <sub>3</sub>	b <sub>p</sub>	c	D <sup>(1)</sup>	E <sup>(2)</sup>	e	H <sub>E</sub>	L	L <sub>p</sub>	Q	v	w	y	Z	θ
mm	1.2	0.15 0.05	1.05 0.85	0.25	0.28 0.17	0.2 0.1	14.1 13.9	6.2 6.0	0.5	8.3 7.9	1.0	0.8 0.4	0.50 0.35	0.25	0.08	0.1	0.5 0.1	8° 0°

**Notes**

1. Plastic or metal protrusions of 0.15 mm maximum per side are not included.
2. Plastic interlead protrusions of 0.25 mm maximum per side are not included.

OUTLINE VERSION	REFERENCES				EUROPEAN PROJECTION	ISSUE DATE
	IEC	JEDEC	EIAJ			
SOT364-1		MO-153				95-02-10 99-12-27

## 18-bit universal bus transceiver (3-State)

74ABT16501A

## Data sheet status

Data sheet status <sup>[1]</sup>	Product status <sup>[2]</sup>	Definitions
Objective data	Development	This data sheet contains data from the objective specification for product development. Philips Semiconductors reserves the right to change the specification in any manner without notice.
Preliminary data	Qualification	This data sheet contains data from the preliminary specification. Supplementary data will be published at a later date. Philips Semiconductors reserves the right to change the specification without notice, in order to improve the design and supply the best possible product.
Product data	Production	This data sheet contains data from the product specification. Philips Semiconductors reserves the right to make changes at any time in order to improve the design, manufacturing and supply. Changes will be communicated according to the Customer Product/Process Change Notification (CPCN) procedure SNW-SQ-650A.

[1] Please consult the most recently issued data sheet before initiating or completing a design.

[2] The product status of the device(s) described in this data sheet may have changed since this data sheet was published. The latest information is available on the Internet at URL <http://www.semiconductors.philips.com>.

## Definitions

**Short-form specification** — The data in a short-form specification is extracted from a full data sheet with the same type number and title. For detailed information see the relevant data sheet or data handbook.

**Limiting values definition** — Limiting values given are in accordance with the Absolute Maximum Rating System (IEC 60134). Stress above one or more of the limiting values may cause permanent damage to the device. These are stress ratings only and operation of the device at these or at any other conditions above those given in the Characteristics sections of the specification is not implied. Exposure to limiting values for extended periods may affect device reliability.

**Application information** — Applications that are described herein for any of these products are for illustrative purposes only. Philips Semiconductors make no representation or warranty that such applications will be suitable for the specified use without further testing or modification.

## Disclaimers

**Life support** — These products are not designed for use in life support appliances, devices or systems where malfunction of these products can reasonably be expected to result in personal injury. Philips Semiconductors customers using or selling these products for use in such applications do so at their own risk and agree to fully indemnify Philips Semiconductors for any damages resulting from such application.

**Right to make changes** — Philips Semiconductors reserves the right to make changes, without notice, in the products, including circuits, standard cells, and/or software, described or contained herein in order to improve design and/or performance. Philips Semiconductors assumes no responsibility or liability for the use of any of these products, conveys no license or title under any patent, copyright, or mask work right to these products, and makes no representations or warranties that these products are free from patent, copyright, or mask work right infringement, unless otherwise specified.

## Contact information

For additional information please visit  
<http://www.semiconductors.philips.com>. Fax: +31 40 27 24825

© Koninklijke Philips Electronics N.V. 2002  
 All rights reserved. Printed in U.S.A.

Date of release: 04-02

For sales offices addresses send e-mail to:  
[sales.addresses@www.semiconductors.philips.com](mailto:sales.addresses@www.semiconductors.philips.com)

Document order number:

9397 750 09676

*Let's make things better.*