



SK22F SERIES

SURFACE MOUNT SCHOTTKY BARRIER RECTIFIER

VOLTAGE 20-60 Volts **CURRENT** 2 Amperes

SMBF Unit : inch(mm)

FEATURES

- Plastic package has Underwriters Laboratory Flammability Classification 94V-O
- For surface mounted applications
- Low profile package
- Built-in strain relief
- Metal to silicon rectifier. majority carrier conduction
- Low power loss,high efficiency
- High surge capacity
- For use in low voltage high frequency inverters, free wheeling, and polarity protection applications
- Lead free in comply with EU RoHS 2002/95/EC directives.
- Green molding compound as per IEC61249 Std. . (Halogen Free)

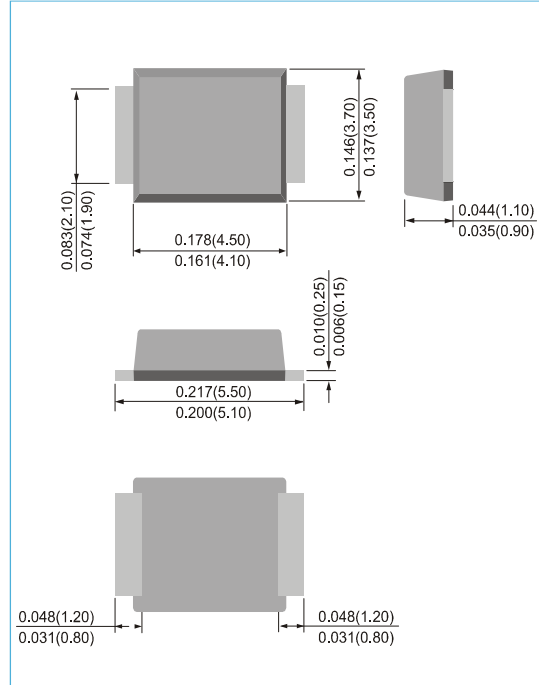
MECHANICAL DATA

Case : SMBF, Plastic

Terminals : Solderable per MIL-STD-750, Method 2026

Polarity: Color band denotes cathode end

Weight: 0.0018 ounces, 0.05 grams



MAXIMUM RATINGS AND ELECTRICAL CHARACTERISTICS (TA=25°C unless otherwise noted)

PARAMETER	SYMBOL	SK22F	SK23F	SK24F	SK25F	SK26F	UNITS
Recurrent Peak Reverse Voltage	V_{RRM}	20	30	40	50	60	V
RMS Voltage	V_{RMS}	14	21	28	35	42	V
DC Blocking Voltage	V_R	20	30	40	50	60	V
Average Forward Current	$I_{F(AV)}$	2.0					A
Peak Forward Surge Current : 8.3ms single half sine-wave superimposed on rated load(JEDEC method)	I_{FSM}	50					A
Forward Voltage at 2.0A	V_F	0.5			0.7		V
DC Reverse Current at Rated DC Blocking Voltage $T_J=25^{\circ}C$	I_R	0.1					mA
Typical Junction capacitance $V_R=4V, 1MHz$	C_J	98			75		pF
Typical Thermal Resistance ,Junction to Ambient (Note 1)	$R_{\theta JA}$ $R_{\theta JC}$	62.5 14					$^{\circ}C / W$
Operating Junction Temperature and Storage Temperature Range	T_J, T_{STG}	-55 to +150					$^{\circ}C$

NOTES:

1. Mounted on 48cm² FR-4 PCB .



SK22F SERIES

RATING AND CHARACTERISTIC CURVES

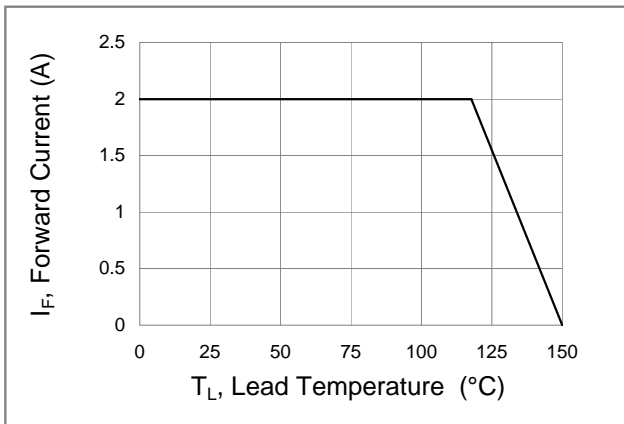


Fig.1 Forward Current Derating Curve

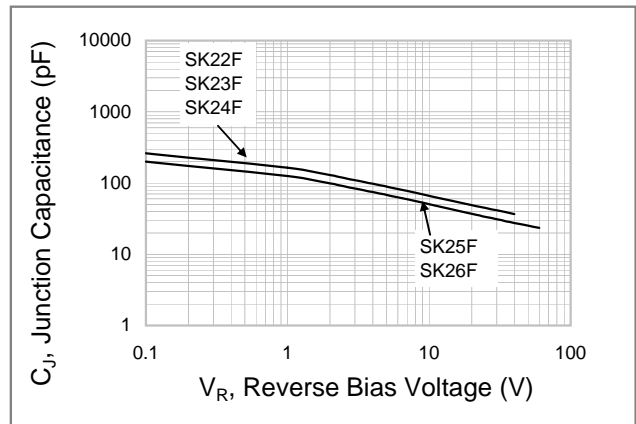


Fig.2 Typical Junction Capacitance

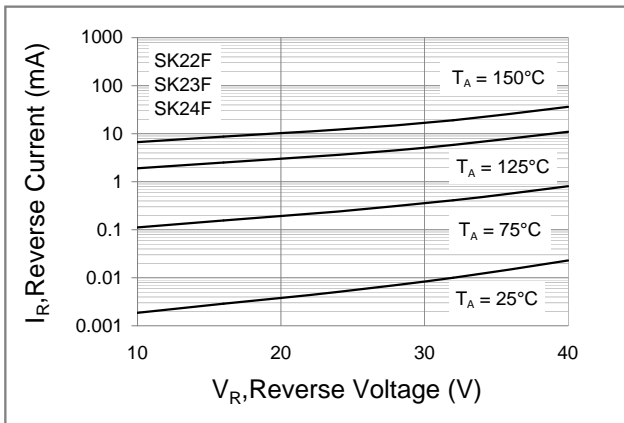


Fig.3 Typical Reverse Characteristics

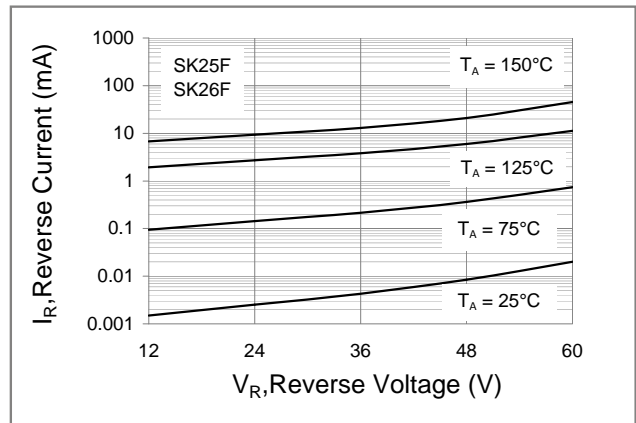


Fig.4 Typical Reverse Characteristics

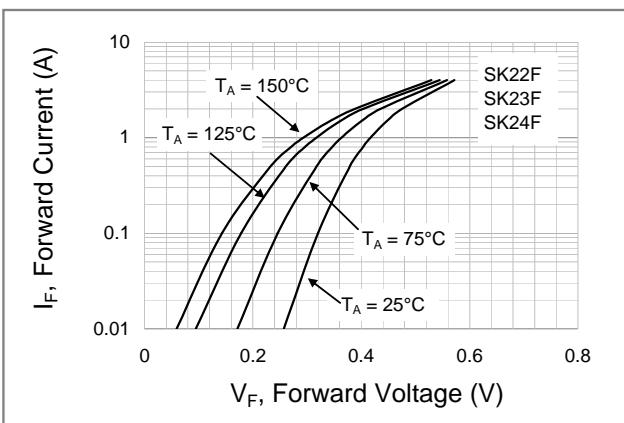


Fig.5 Typical Forward Characteristics

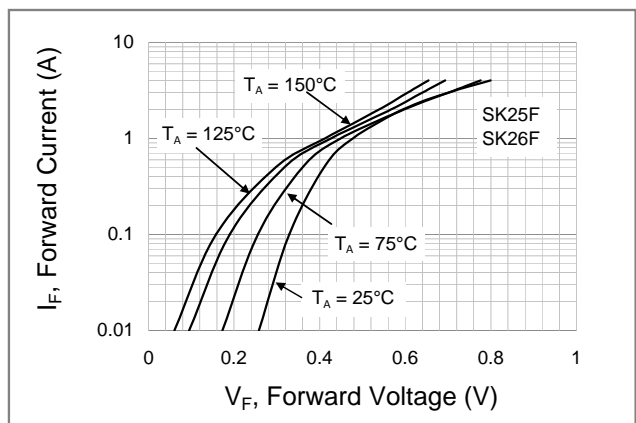


Fig.6 Typical Forward Characteristics

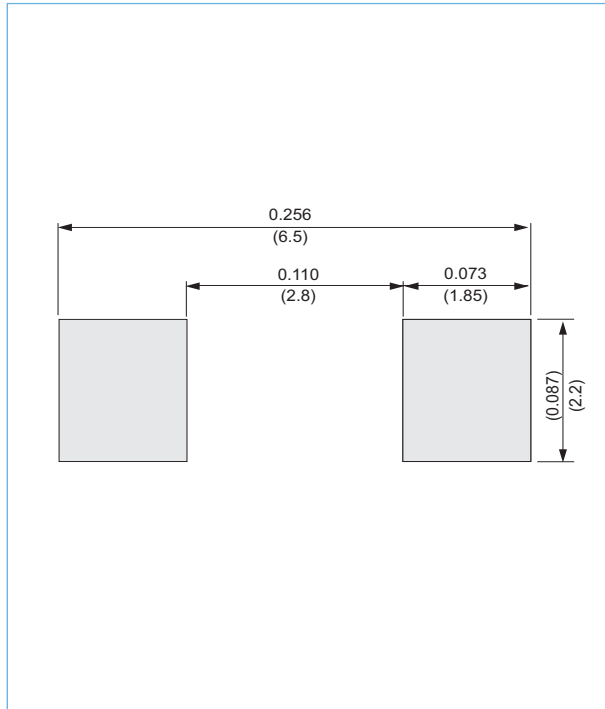


SK22F SERIES

MOUNTING PAD LAYOUT

SMBF

Unit:inch(mm)



ORDER INFORMATION

- Packing information
T/R - 5K per 13" plastic Reel

LEGAL STATEMENT

Copyright PanJit International, Inc 2012

The information presented in this document is believed to be accurate and reliable. The specifications and information herein are subject to change without notice. Pan Jit makes no warranty, representation or guarantee regarding the suitability of its products for any particular purpose. Pan Jit products are not authorized for use in life support devices or systems. Pan Jit does not convey any license under its patent rights or rights of others.

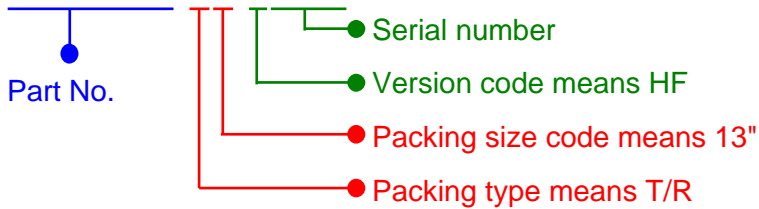


SK22F SERIES

Part No_packing code_Version

For example :

RB500V-40_R2_00001



Packing Code XX				Version Code XXXXX		
Packing type	1st Code	Packing size code	2nd Code	HF or RoHS	1st Code	2nd~5th Code
T/B	A	N/A	0	HF	0	serial number
T/R	R	7"	1	RoHS	1	serial number
B/P	B	13"	2			
T/P	T	26mm	X			
TRR	S	52mm	Y			
TRL	L	PBCU	U			
FORMING	F	PBCD	D			