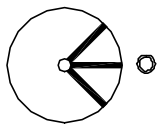




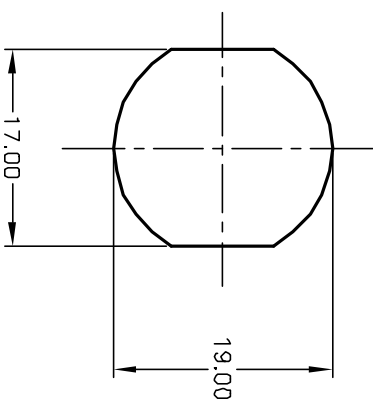
NOTES:

1. ALL DIMENSIONS IN MM [INCH]
2. GENERAL TOLERANCE: X.X=±0.4
X.XX=±0.25
3. TERM. NOS. FOR REFERENCE ONLY.
4. RATING: 4A @125VAC, 2A @250VAC
5. CONTACT RESISTANCE: 10mILLI-OHMS
6. DIELECTRIC STRENGTH: 1500 VAC-1Minute
7. INSULATION RESISTANCE: 500Mega-OHMS
8. MATERIALS:
HOUSING: ZINC ALLOY DIE CAST
CYLINDER: ZINC ALLOY W/CHROME PLATING
TERMINAL AND CONTACTS: SILVER PLATED
KEYS (2) CODE 10001: TUBULAR STEEL, NICKEL PLATED



| CIRCUIT: SPDT | | |
|-----------------------|-----------------|-------|
| CONTACT CONFIGURATION | | |
| SWITCH FUNCTION | CONNECTED TERM# | |
| ↙ | POS 1 | POS 3 |
| ↘ | POS 2 | |
| ↖ | DN | DN |
| ↗ | 1-3 | 2-4 |

LEGEND
 ○ =OFF POSITION
 ■ =INDICATES KEY PULL



RECOMMENDED PANEL CUTOUT

| REV. | ECN No. | DESCRIPTION | DATE | CHKD |
|------|---------|--------------------------|----------|------|
| B | 11739 | REVISED PART DESCRIPTION | 10/15/01 | CJB |

| TITLE | SCALE | DATE | DR | DWG | REV |
|--------------|-------|---------|-----|---------|-----|
| K0114A-10001 | 1.5:1 | 3/29/01 | CJB | K200104 | B |

E-SWITCH®

THE INFORMATION CONTAINED IN THIS DOCUMENT IS PROPRIETARY TO E-SWITCH AND IS NOT TO BE COPIED OR TRANSMITTED