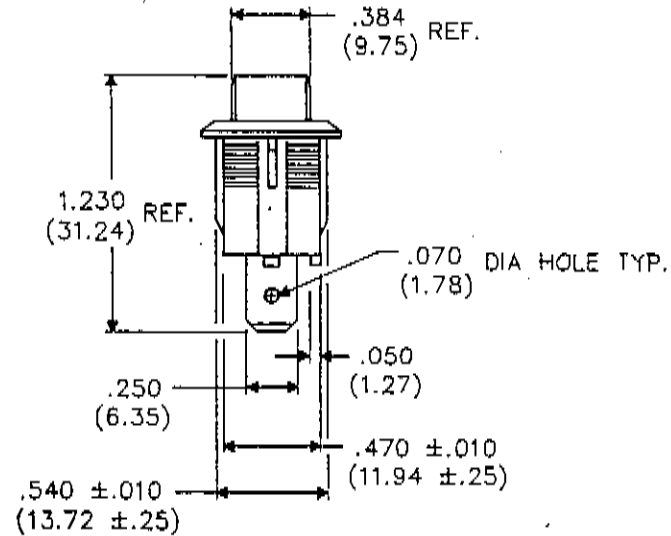
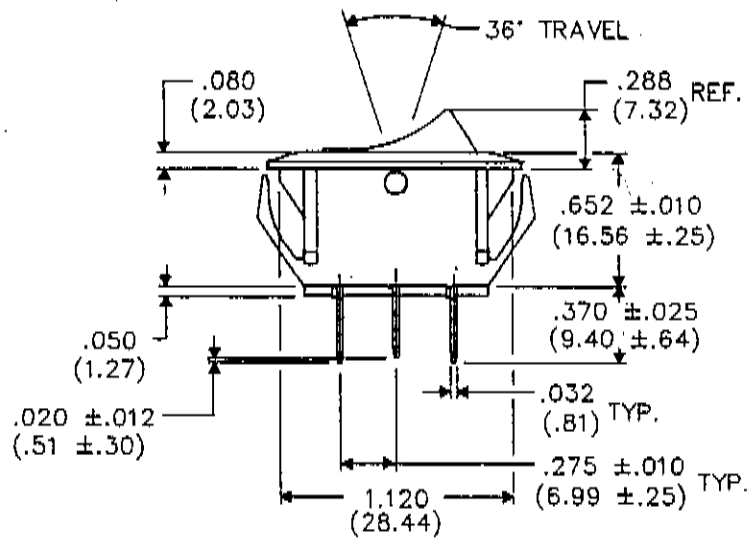
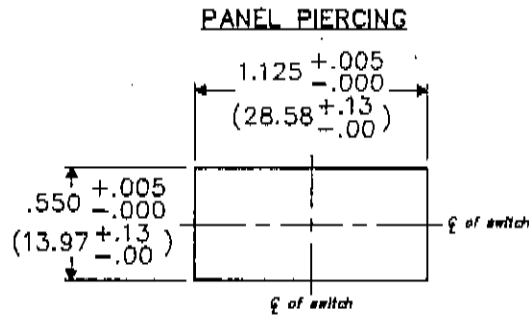
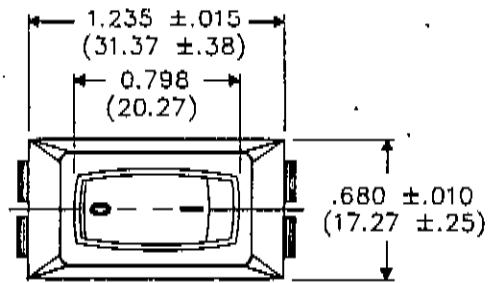


DIMENSIONS IN INCHES (MILLIMETERS)  
DO NOT SCALE DRAWING

Drawing No.  
GRS-2012-2028



8-FORM-2

REVISIONS

0	RELEASED
DGW	8-02-94
1	AUG 3 1994

**CW INDUSTRIES**  
Southampton, Pa. 18966

Title ASSEMBLY DRAWING  
S.P.D.T. ROCKER SWITCH  
NON-POLARIZED  
1.125 x .550 PANEL

TOLERANCES UNLESS OTHERWISE SPECIFIED  
2 Place decimal 10:00 METRIC  
3 Place decimal 100:00 1 Place dec 1.25 MM  
Angles 1° 2 Place dec 1.5 MM

Made for CW IND.  
Drawn by DGW 8-02-94  
Checked by G. GULL 8-3-94  
Approval [Signature] 8-4-94

Division SWITCH  
Drawing No. GRS-2012-2028

CENTENNIAL EMBLEM #07561

MASTER MASTER