

PLEASE CHECK WWW.MOLEX.COM FOR LATEST PART INFORMATION

Part Number: [0533580250](#)
Status: **Active**
Description: 2.00mm (.049") Pitch Mi II™ Wire-to-Wire Adapter, 2 Circuits, Lead-free, without Panel Lock

Documents:

[Drawing \(PDF\)](#) [RoHS Certificate of Compliance \(PDF\)](#)
[Product Specification PS-53358-001 \(PDF\)](#)

Agency Certification

CSA LR19980
 UL E29179

General

Product Family Accessories
 Series [53358](#)
 Component Type Adapter
 Product Name Mi II™

Physical

Circuits (Loaded) 2
 Color - Resin Natural
 Flammability 94V-0
 Gender N/A
 Lock to Mating Part Yes
 Material - Metal Brass
 Material - Plating Mating Tin
 Material - Plating Termination Tin
 Material - Resin Polyester
 Number of Rows 1
 Packaging Type Bag
 Plating min: Mating (µin) 40
 Plating min: Mating (µm) 1.00
 Plating min: Termination (µin) 40
 Plating min: Termination (µm) 1.00
 Polarized to Mating Part Yes
 Temperature Range - Operating -40°C to +105°C

Electrical

Current - Maximum per Contact 2A

Material Info

Reference - Drawing Numbers

Product Specification PS-53358-001
 Sales Drawing SD-53358-002

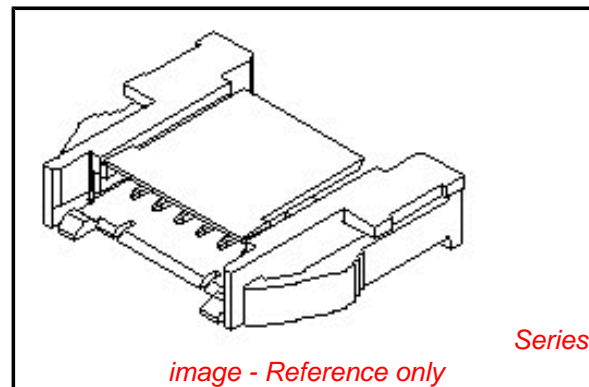


image - Reference only

EU RoHS

ELV and RoHS Compliant
REACH SVHC Contains SVHC: No
Halogen-Free Status
Not Reviewed

China RoHS



Need more information on product environmental compliance?

Email productcompliance@molex.com
 For a multiple part number RoHS Certificate of Compliance, [click here](#)

Please visit the [Contact Us](#) section for any non-product compliance questions.

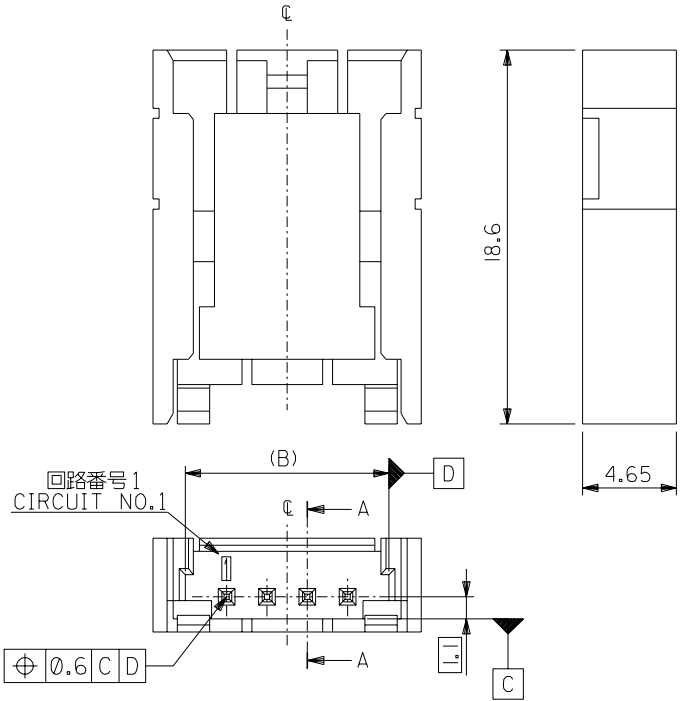
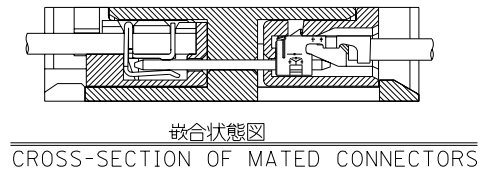
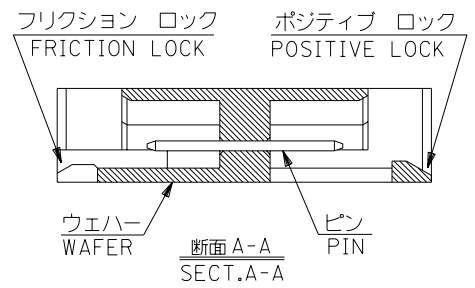
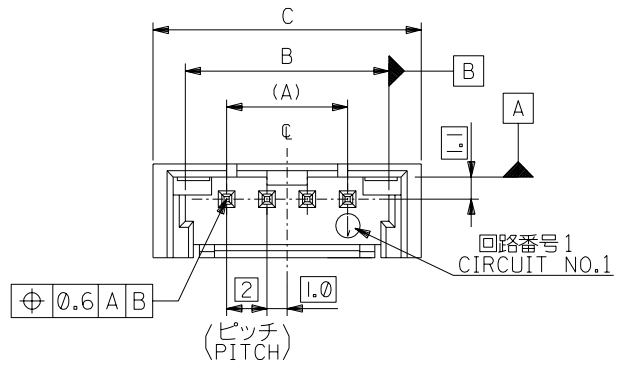
Search Parts in this Series

[53358Series](#)

Use With

[51090 Crimp Housing](#), [52484 IDT Housing](#)

DWG. NO. SD-53358-002



注記 NOTES

- 材料 MATERIALS
 ウェハー : ガラス15%入りPBT、UL94V-0
 WAFER : G.F.15% PBT, UL94V-0
 ピン : 黄銅、スズメッキ (φ0.5)
 PIN : BRASS, TIN PLATE (0.5 SQUARE)
- 適合圧着ハウジング : 51090-***00
 MATING CRIMP RECEPTACLE HOUSING : 51090-***00
- 適合圧接ハウジング : 52484-***1
 MATING IDT RECEPTACLE HOUSING : 52484-***1
- 本図は、4極を示す。
 4 CIRCUIT VERSION IS SHOWN IN THIS DRAWING.
- 色 COLOR
 53358-***50: 自然色 (WHITE)
 53358-***52: 赤色 (RED)
 53358-***53: 黄色 (YELLOW)
 53358-***54: 青色 (BLUE)

無鉛 LEAD FREE

13.3	10.1	6	53358-045*	4
11.3	8.1	4	53358-035*	3
9.3	6.1	2	53358-025*	2
C	B	A	ENG. NO.	CKT.

DO NOT SCALE DRAWING

164 NO. DRWN: CH'K: APPR: 163 NO. DRWN: CH'K: APPR: 162 NO. DRWN: CH'K: APPR: 161 NO. DRWN: CH'K: APPR: RELEASED 160 NO. J2003-1394 DRWN: S.SHIBATA '02/11/21 CH'K: T.KANEKO '02/11/21 APPR: YO.IITO '02/11/21	MATERIAL 材料 FINISH 仕上げ WIRE RANGE 適用層線範囲 INS. RANGE 被覆外径	GENERAL TOLERANCES: (UNLESS SPECIFIED) 一般公差 10 UNDER 未満 ±0.2 10 OVER 30 UNDER 以上 未満 ±0.25 30 OVER 以上 ±0.3 ANGLE 角度 ±3°	SCALE 1:1 DESIGN UNITS 2mm 1mm 0.5mm DRAWN BY & DATE S.Shibata '02/11/21 CHECKED BY & DATE Y.Ito '02/11/21 APPROVED BY & DATE Y.Ito '02/11/21 CAD FILENAME SD-53358-002.DGN	DIMENSIONS: 2mm 1mm 0.5mm SHT 2 REV B TITLE: 2.0 WIRE TO WIRE CONN. WAFER ASS'Y MOLEX MOLEX INCORPORATED MATERIAL NO. SEE CHART DRAWING NO. SD-53358-002 SHEET NO. 1 OF 1
			7888 DRAWING CONTAINS INFORMATION THAT IS PROPRIETARY TO MOLEX INCORPORATED AND SHOULD NOT BE USED WITHOUT WRITTEN PERMISSION.	