

GENERAL NOTES:

1. MATERIAL:

UPPER HOUSING: GLASS FILLED POLYESTER, UL 94V-0, COLOR: BLACK.  
 LOWER HOUSING: GLASS FILLED POLYESTER, UL 94V-0, COLOR: BLACK.  
 TERMINALS: PHOSPHOR BRONZE C52100 ALLOY.

2. FINISH NOTES:

- (164) TIN-LEAD (Sn-Pb) ALLOY OVER ENTIRE PIN: THICKNESS=(3.75 MICROMETER)/75 MICROINCH MINIMUM;  
 NICKEL (Ni) UNDERPLATE OVER ENTIRE PIN.
- (571) SELECTIVE GOLD (Au) IN THE CONTACT AREA: THICKNESS=(0.37 MICROMETER)/15 MICROINCH MINIMUM;  
 SELECTIVE TIN-LEAD (Sn-Pb) ALLOY IN THE PC TAIL AREA: THICKNESS=(1.88 MICROMETER)/75 MICROINCH MINIMUM;  
 NICKEL (Ni) UNDERPLATE OVER ENTIRE PIN.
- (574) SELECTIVE GOLD (Au) IN THE CONTACT AREA: THICKNESS=(0.75 MICROMETER)/30 MICROINCH MINIMUM;  
 SELECTIVE TIN-LEAD (Sn-Pb) ALLOY IN THE PC TAIL AREA: THICKNESS=(1.88 MICROMETER)/75 MICROINCH MINIMUM;  
 NICKEL (Ni) UNDERPLATE OVER ENTIRE PIN.

3. PRODUCT CONFORMS TO PS-70625 PRODUCT SPEC.

4. FOR ILLUSTRATION PURPOSES, 16 CKT SIZE ASSEMBLY IS SHOWN

5. THE SECOND POLARIZING FEATURE ON THIS END IS NON-EXISTENT ON 14 CKT. & SMALLER CONNECTORS

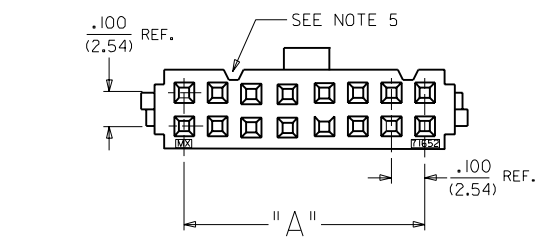
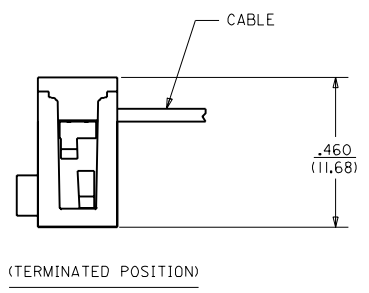
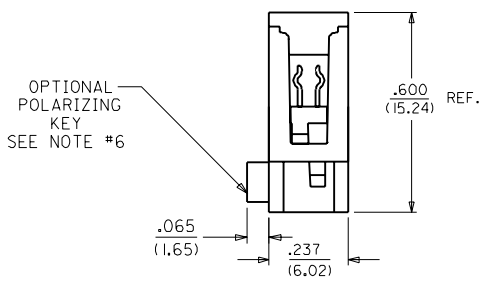
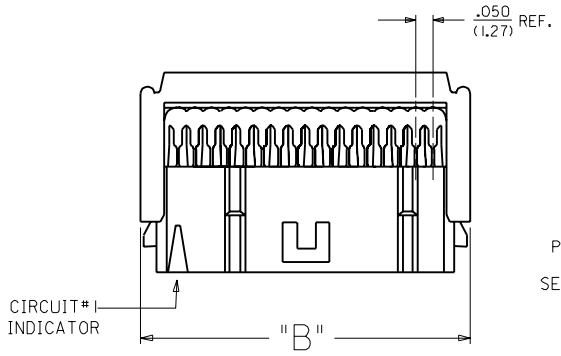
6. CENTER KEY OPTIONAL. SEE PAGE 2.

7. FOR USE WITH AWG #26 & #28 STRANDED WIRE, (1.14)/.045 MAX. DIA INSULATION RIBBON CABLE WITH (1.27)/.050 CENTERS.

8. CONNECTOR HOUSING MEETS MIL-C-83503/7B(USAF)

DIMENSIONS

A	B	NO. OF CKTS.
(7.62)	(14.55)	8
.300	.573	
(10.16)	(17.09)	10
.400	.673	
(12.70)	(19.63)	12
.500	.773	
(15.24)	(22.17)	14
.600	.873	
(17.78)	(24.74)	16
.700	.973	
(22.86)	(29.79)	20
.900	1.173	
(25.40)	(32.33)	22
1.000	1.273	
(27.94)	(34.87)	24
1.100	1.373	
(30.48)	(37.41)	26
1.200	1.473	
(33.02)	(39.95)	28
1.300	1.573	
(35.56)	(42.49)	30
1.400	1.673	
(38.10)	(45.03)	32
1.500	1.773	
(40.64)	(47.57)	34
1.600	1.873	
(43.18)	(50.11)	36
1.700	1.973	
(48.26)	(55.19)	40
1.900	2.173	
(53.34)	(60.27)	44
2.100	2.373	
(60.96)	(67.89)	50
2.400	2.673	
(73.66)	(80.59)	60
2.900	3.173	
(76.20)	(83.13)	62
3.000	3.273	
(78.74)	(85.67)	64
3.100	3.373	



REV	DATE	BY	APP'D	DESCRIPTION
D				OBSOLETE TAPE PACK ECN# UDT2000-0927 DMORGAN 00/03/31
C1				REVISED PER ECR U81411 MCRATH 97/12/30
C				ADDED -10(2)*9P PER ECN U80671 ELO 97/09/22
B1				ADDED -1328P PER ECN U73014 BARKER 97/05/28
B				CHANGED MATERIAL PER ECR #U51214 95/06/06 CAC
A1				ADDED 12 CKT. PER U40561 94/04/29 RB
				RELEASED PER U21200 93/11/16 RB

UNLESS OTHERWISE SPECIFIED TOLERANCES: ANGULAR ± 1/2°

3 PLACE	± .005	---
2 PLACE	± .01	± 0.13
1 PLACE	---	± 0.25

DRAFT WHERE APPLICABLE MUST REMAIN WITHIN DIMENSIONS

MFG. SH. REV. LTR. REVISIONS

2 D A

1 D A

SALES ASSEMBLY, CONNECTOR I.D./RIBBON CABLE TYPE WITH OPTIONAL CENTER POLARIZATION

**MOLEX INCORPORATED** L15LEJLL 60532 U.S.A.

SHEET NO. 3 OF 3 DATE 93/11/16

PART NO. SEE CHART DRWG. NO. SDA-70625-10P

DRWG. BY RB CHKD. BY

APP'D. DJB SCALE 4 : 1 FILE NAME S70625P11 THIS DRAWING CONTAINS INFORMATION THAT IS PROPRIETARY TO MOLEX INC. AND SHOULD NOT BE USED WITHOUT WRITTEN PERMISSION.

DRG. NO. SDA-70625-10P DIV. TC

		13	12	11	10	9	8	7	6	5	4	3	2	1	
J	CKT SIZE	SEE PLATING NOTE (571)		SEE PLATING NOTE (574)		SEE PLATING NOTE (164)				70625				SEE PLATING NOTE ( )	
		EDP NO.	ENG NO.	EDP NO.	ENG NO.	EDP NO.	ENG NO.	EDP NO.	ENG NO.	EDP NO.	ENG NO.	EDP NO.	ENG NO.	EDP NO.	ENG NO.
A-70625-1000P THRU I249P WITH CENTER POLARIZATION KEY. PACKAGED PER PK-70873-0052 (85-22-0001).															
	8	15-49-6080	A-70625-1019P	15-49-6081	A-70625-1049P	15-49-6082	A-70625-1079P								
	10	15-49-6100	A-70625-1000P	15-49-6101	A-70625-1030P	15-49-6102	A-70625-1060P								
	12	15-49-6120	A-70625-1018P	15-49-6121	A-70625-1048P	15-49-6122	A-70625-1078P								
I	14	15-49-6140	A-70625-1001P	15-49-6141	A-70625-1031P	15-49-6142	A-70625-1061P								
	16	15-49-6160	A-70625-1002P	15-49-6161	A-70625-1032P	15-49-6162	A-70625-1062P								
	20	15-49-6200	A-70625-1003P	15-49-6201	A-70625-1033P	15-49-6202	A-70625-1063P								
	22	15-49-6220	A-70625-1004P	15-49-6221	A-70625-1034P	15-49-6222	A-70625-1064P								
H	24	15-49-6240	A-70625-1005P	15-49-6241	A-70625-1035P	15-49-6242	A-70625-1065P								
	26	15-49-6260	A-70625-1006P	15-49-6261	A-70625-1036P	15-49-6262	A-70625-1066P								
	28	15-49-6280	A-70625-1007P	15-49-6281	A-70625-1037P	15-49-6282	A-70625-1067P								
	30	15-49-6300	A-70625-1008P	15-49-6301	A-70625-1038P	15-49-6302	A-70625-1068P								
	32	15-49-6320	A-70625-1009P	15-49-6321	A-70625-1039P	15-49-6322	A-70625-1069P								
	34	15-49-6340	A-70625-1010P	15-49-6341	A-70625-1040P	15-49-6342	A-70625-1070P								
G	36	15-49-6360	A-70625-1011P	15-49-6361	A-70625-1041P	15-49-6362	A-70625-1071P								
	40	15-49-6400	A-70625-1012P	15-49-6401	A-70625-1042P	15-49-6402	A-70625-1072P								
	44	15-49-6440	A-70625-1017P	15-49-6441	A-70625-1047P	15-49-6442	A-70625-1077P								
	50	15-49-6500	A-70625-1013P	15-49-6501	A-70625-1043P	15-49-6502	A-70625-1073P								
	60	15-49-6600	A-70625-1014P	15-49-6601	A-70625-1044P	15-49-6602	A-70625-1074P								
	62	15-49-6620	A-70625-1015P	15-49-6621	A-70625-1045P	15-49-6622	A-70625-1075P								
F	64	15-49-6640	A-70625-1016P	15-49-6641	A-70625-1046P	15-49-6642	A-70625-1076P								
A-70625-1250P THRU I499P WITHOUT CENTER POLARIZATION KEY. PACKAGED PER PK-70873-0052 (85-22-0001).															
	8	15-49-6085	A-70625-1269P	15-49-6086	A-70625-1299P	15-49-6087	A-70625-1328P								
E	10	15-49-6105	A-70625-1250P	15-49-6106	A-70625-1280P	15-49-6107	A-70625-1310P								
	12	15-49-6125	A-70625-1268P	15-49-6126	A-70625-1298P	15-49-6127	A-70625-1329P								
	14	15-49-6145	A-70625-1251P	15-49-6146	A-70625-1281P	15-49-6147	A-70625-1311P								
	16	15-49-6165	A-70625-1252P	15-49-6166	A-70625-1282P	15-49-6167	A-70625-1312P								
	20	15-49-6205	A-70625-1253P	15-49-6206	A-70625-1283P	15-49-6207	A-70625-1313P								
	22	15-49-6225	A-70625-1254P	15-49-6226	A-70625-1284P	15-49-6227	A-70625-1314P								
D	24	15-49-6245	A-70625-1255P	15-49-6246	A-70625-1285P	15-49-6247	A-70625-1315P								
	26	15-49-6265	A-70625-1256P	15-49-6266	A-70625-1286P	15-49-6267	A-70625-1316P								
	28	15-49-6285	A-70625-1257P	15-49-6286	A-70625-1287P	15-49-6287	A-70625-1317P								
	30	15-49-6305	A-70625-1258P	15-49-6306	A-70625-1288P	15-49-6307	A-70625-1318P								
	32	15-49-6325	A-70625-1259P	15-49-6326	A-70625-1289P	15-49-6327	A-70625-1319P								
C	34	15-49-6345	A-70625-1260P	15-49-6346	A-70625-1290P	15-49-6347	A-70625-1320P								
	36	15-49-6365	A-70625-1261P	15-49-6366	A-70625-1291P	15-49-6367	A-70625-1321P								
	40	15-49-6405	A-70625-1262P	15-49-6406	A-70625-1292P	15-49-6407	A-70625-1322P								
	44	15-49-6445	A-70625-1267P	15-49-6446	A-70625-1297P	15-49-6447	A-70625-1327P								
	50	15-49-6505	A-70625-1263P	15-49-6506	A-70625-1293P	15-49-6507	A-70625-1323P								
B	60	15-49-6605	A-70625-1264P	15-49-6606	A-70625-1294P	15-49-6607	A-70625-1324P								
	62	15-49-6625	A-70625-1265P	15-49-6626	A-70625-1295P	15-49-6627	A-70625-1325P								
	64	15-49-6645	A-70625-1266P	15-49-6646	A-70625-1296P	15-49-6647	A-70625-1326P								
A									DIMENSIONS SHOWN (METRIC) INCH UNLESS OTHERWISE SPECIFIED TOLERANCES: ANGULAR ± 1/2°		▽ = 0 ▽ = 0 REVERSE ONLY ON CAD SYSTEM				
									INCH METRIC		TITLE SALES DRAWING, CONNECTOR I.D./RIBBON CABLE TYPE WITH OPTIONAL CENTER POLARIZATION.				
									3 PLACE ± --- --- 2 PLACE ± --- ± --- 1 PLACE --- ± ---		MOLEX INCORPORATED SHEET NO. 2 DATE 93/11/16 LITTLE,ILL. 60532 U.S.A.				
									DRAFT WHERE APPLICABLE MUST REMAIN WITHIN DIMENSIONS		PART NO. SEE CHART DRWG. NO. SDA-70625-1*P				
								DRWG. BY RB ENK'D. BY		SCALE NO:NE		THIS DRAWING CONTAINS INFORMATION THAT IS PROPRIETARY TO MOLEX INC. AND SHOULD NOT BE USED WITHOUT WRITTEN PERMISSION		DWT. SIZE TC C	
								APP'D. BY DJB							
								LTR. REVISIONS		LTR. REVISIONS					