



Solid State Devices, Inc.

14701 Firestone Blvd * La Mirada, Ca 90638
 Phone: (562) 404-4474 * Fax: (562) 404-1773
 ssdi@ssdi-power.com * www.ssdi-power.com

SDA168H thru SDA168N

**HIGH RELIABILITY
 5.0 AMP, 1000 – 5000 VOLTS
 STANDARD RECOVERY
 THREE PHASE BRIDGE RECTIFIER**

Designer's Data Sheet

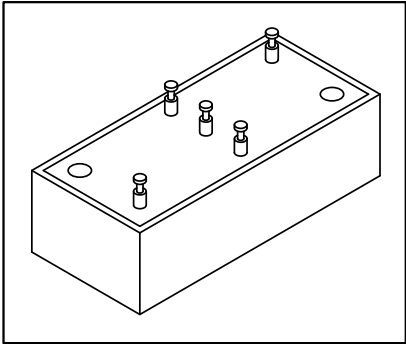
Part Number/Ordering Information ^{1/}
SDA168 — —
 L **Screening ^{2/}**
 — = Not Screened
 TX = TX Level
 TXV = TXV
 S = S Level
Peak Inverse Voltage
 H = 1,000 V, I = 1,500 V, J = 2,000 V,
 K = 2,500 V, L = 3,000 V, M = 4,000 V,
 N = 5,000 V

- FEATURES:**
- Average Output Current 5.0 Amps @ 55°C
 - PIV 1000 to 5000 Volts Per Leg
 - Hermetically Sealed Diode Cells
 - Avalanche Rated
 - Encapsulated Epoxy Case
 - Insulated Electrical Connections
 - Small Size
 - Mounting Holes for Ease of Installation
 - Available in Fast, Ultra Fast, and Hyper Fast Recovery Times
 - TX, TXV, or S-Level Screening Available

ELECTRICAL CHARACTERISTICS ^{3/}

Part Number	Peak Inverse Voltage (per leg)	Sine Wave RMS Input Voltage Max.	Reverse ^{4/} Recovery Time	Average DC Output Current T _C =Case Temp			Average DC Output Current T _A = Ambient Temp (no heat sink)			Peak Forward Surge Current (1 Cycle)	Peak Repetitive Forward Current	Maximum Forward Voltage (per leg) @ 3 ADC	Maximum Reverse Current (per leg) @ PIV	
				I _{F(AV)}	I _{F(AV)}	I _{F(AV)}	I _{F(AV)}	I _{F(AV)}	I _{F(AV)}				I _R	I _R
Symbol	PIV	V _r	T _{rr}	I _{F(AV)}			I _{F(AV)}			I _{FSM}	I _{FRM}	V _F	I _R	
Units	Volts	Volts	µs	Amps			Amps			Amps	Amps	Volts	µA	
Conditions			Max	55°C	100°C	125°C	25°C	55°C	100°C				25°C	100°C
SDA168H	1000	707	5	5.0	3.5	2.0	3.0	2.0	1.5	150	75	1.1	5	50
SDA168I	1500	1060	5	5.0	3.5	2.0	3.0	2.0	1.5	150	75	2.2	5	50
SDA168J	2000	1414	5	5.0	3.5	2.0	3.0	2.0	1.5	150	75	2.2	5	50
SDA168K	2500	1767	5	5.0	3.5	2.0	3.0	2.0	1.5	150	75	3.3	5	50
SDA168L	3000	2121	5	5.0	3.5	2.0	3.0	2.0	1.5	150	75	3.3	5	50
SDA168M ^{5/}	4000	2828	5	5.0	3.5	2.0	3.0	2.0	1.5	150	75	4.4	5	50
SDA168N ^{5/}	5000	3535	5	5.0	3.5	2.0	3.0	2.0	1.5	150	75	5.5	5	50

SDA168 Package:



NOTES:

- 1/ For Ordering Information, Price, and Availability- Contact Factory.
- 2/ Screened to MIL-PRF-19500.
- 3/ Unless Otherwise Specified, All Electrical Characteristics @25°C.
- 4/ Recovery Conditions: I_F = 0.5 Amp, I_R = 1.0 Amp rec. to .25 Amp.
- 5/ Please consult factory for further details on these items.

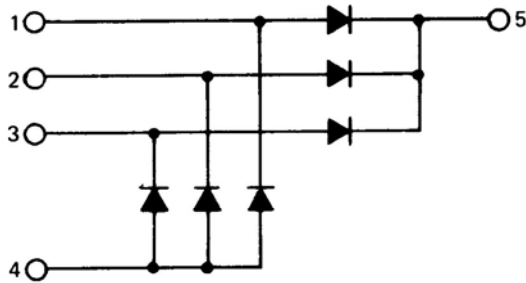


Solid State Devices, Inc.

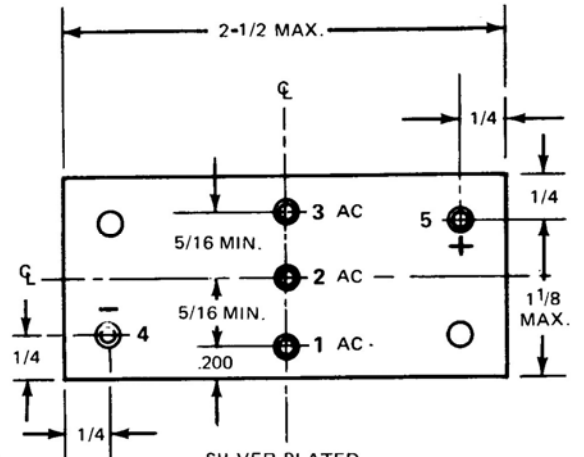
14701 Firestone Blvd * La Mirada, Ca 90638
 Phone: (562) 404-4474 * Fax: (562) 404-1773
 ssdi@ssdi-power.com * www.ssdi-power.com

SDA168H thru SDA168N

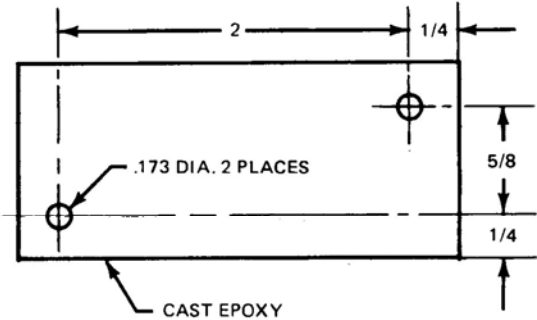
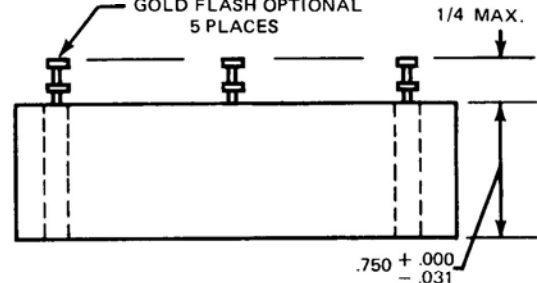
SDA168H through SDA168N*:



SCHEMATIC DIAGRAM

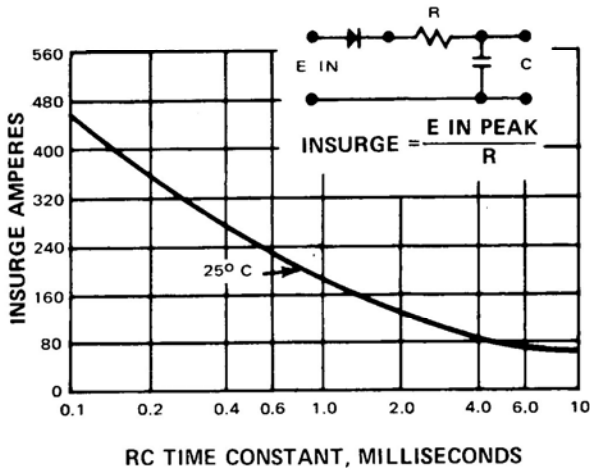


SILVER PLATED
 BRASS TERMINAL
 GOLD FLASH OPTIONAL
 5 PLACES



TOLERANCE XX[±] .03
 XXX[±] .020
 FRACTIONAL = NOMINAL DIMENSION

MAXIMUM RATINGS FOR CAPACITY LOADS



*For information on curves, contact the Factory Representative for Engineering Assistance.

NOTE: All specifications are subject to change without notification. SCD's for these devices should be reviewed by SSDI prior to release.

DATA SHEET #: RA0031A

DOC