

PLEASE CHECK WWW.MOLEX.COM FOR LATEST PART INFORMATION

Part Number: **0190220026**
Status: **Active**
Description: Krimptite™ Quick Disconnect, Male, for 14-16 (2.00-1.30) Wire, Mylar Tape, Tab 6.35mm (.250") x 0.81mm (.032")

Documents:

[Drawing \(PDF\)](#) [RoHS Certificate of Compliance \(PDF\)](#)

Agency Certification

CSA LR18689
 UL E79133

General

Product Family Quick Disconnects
 Series 19022
 Comments Economical
 Crimp Quality Equipment Yes
 Product Name Krimptite™
 Type Quick Disconnect

Physical

Barrel Type Closed
 Gender Male
 Glow-Wire Compliant No
 Insulation None
 Lock to Mating Part None
 Material - Metal Brass
 Orientation Straight
 Packaging Type Adhesive Tape on Reel
 Polarized to Mating Part No
 Tab Thickness 0.81mm (.032")
 Tab Width 6.35mm (.250")
 Temperature Range - Operating Per Wire Specification
 Wire Size AWG 14, 16
 Wire Size mm² 1.30 - 2.00

Electrical

Voltage - Maximum Per Wire Specification

Material Info

Old Part Number MCT-1T

Reference - Drawing Numbers

Sales Drawing SD-19022-011

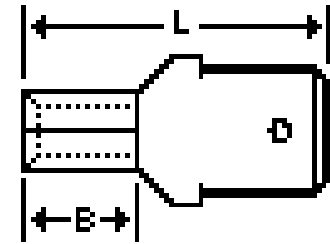


image - Reference only

—Series

EU RoHS

ELV and RoHS Compliant

REACH SVHC

Not Reviewed

Halogen-Free

Status

Not Reviewed

China RoHS



Need more information on product environmental compliance?

Email productcompliance@molex.com
 For a multiple part number RoHS Certificate of Compliance, [click here](#)

Please visit the [Contact Us](#) section for any non-product compliance questions.

Search Parts in this Series

19022Series

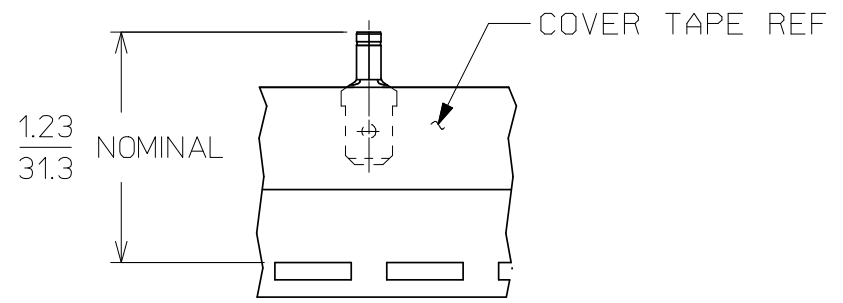
Application Tooling | FAQ

Tooling specifications and manuals are found by selecting the products below. Crimp Height Specifications are then contained in the Application Tooling Specification document.

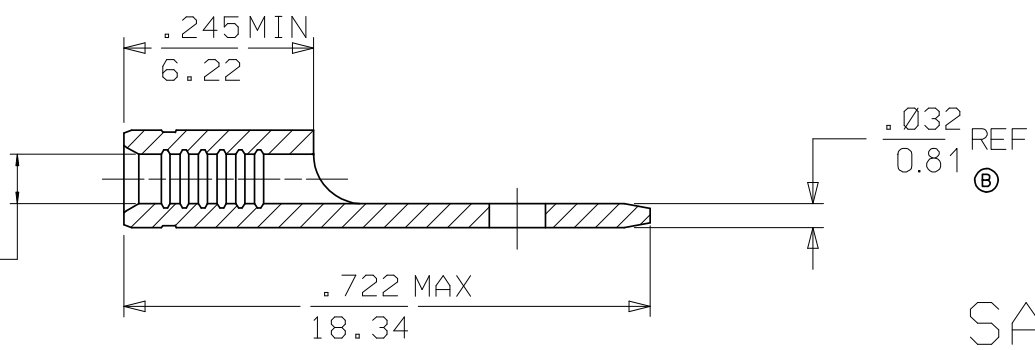
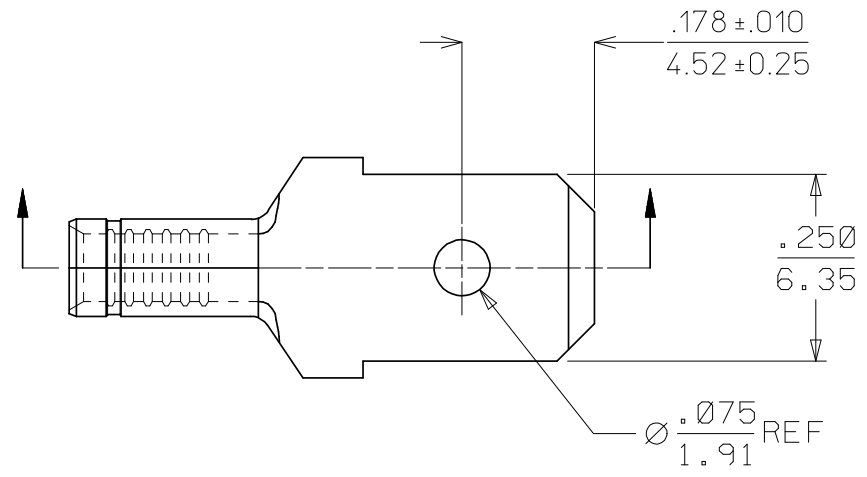
Global

Description	Product #
ATP Perishable Tool Kit used in ATP presses that process product on tape	<u>0190270055</u>
Mini-Mac™ Applicator	<u>0638858100</u>

MATERIAL NO.	ENGINEERING NO.	DESCRIPTION
190220018	MCT-1	ZINC CHROMATE PLATED
190220057 (B)	SPL-0040	TIN PLATED
190220026	MCT-1T	ZINC CHROMATE PLATED, TAPE MOUNTED



TAPE MOUNTING LOCATION FOR 190220026, MCT-1T



SALES DRAWING

- (B) NOTES:
1. MATERIAL: BRASS
 2. FINISH: SEE CHART
 3. WIRE SIZE: 16-14 AWG (1.23-1.94 mm²)
 4. TAB DIMENSIONS CONFORM TO UL310 SPECIFICATIONS.
 5. PART IS ROHS COMPLIANT.

DEL. NO.: ADD TIN PARTS EC. NO.: ETC2007-0081	DRW: NEHLE 2008/01/28 CHKD: JMACNEIL 2008/01/28 APPR: JMACNEIL 2008/02/13	QUALITY SYMBOLS ▽=0 ▽=0	GENERAL TOLERANCES (UNLESS SPECIFIED)		DIMENSION STYLE IN/MM		SCALE 4:1	DESIGN UNITS INCH	THIRD ANGLE PROJECTION		
			mm	INCH	DRAWN BY R. STONE	DATE 2007/08/14	TITLE MALE CONNECTOR TERMINAL .250 X .032 TAB KRIMPTITE				
REV B	DESCRIPTION		4 PLACES	± .005	± .005	CHECKED BY J. MACNEIL	DATE 2007/08/16	MOLEX MOLEX INCORPORATED			
			3 PLACES	± .013	± .01	APPROVED BY J. MACNEIL	DATE 2007/08/16				
			2 PLACES	± 0.25	± .005			DOCUMENT NO. SD-19022-011			
			1 PLACE	± 0.25	± .005			SHEET NO. 1 OF 1			
			ANGULAR ± 1/2°			DRAFT WHERE APPLICABLE MUST REMAIN WITHIN DIMENSIONS		SEE CHART			
						THIS DRAWING CONTAINS INFORMATION THAT IS PROPRIETARY TO MOLEX INCORPORATED AND SHOULD NOT BE USED WITHOUT WRITTEN PERMISSION					