



# ISA06

## DESCRIPTION

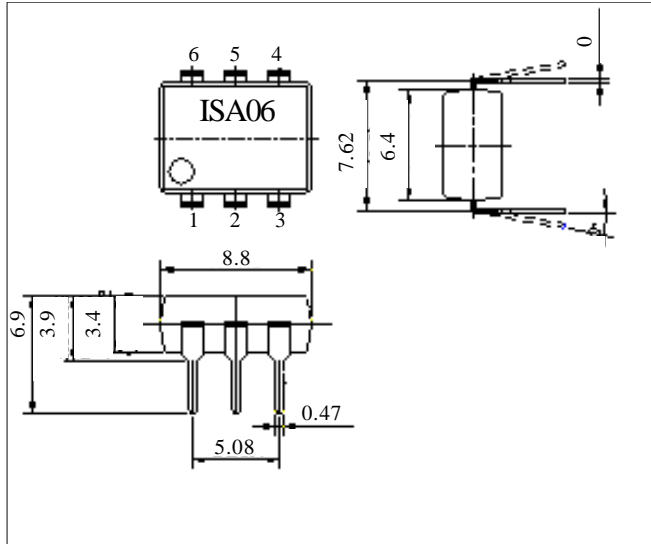
The ISA06 is a 1-Form A solid state relay in a 6 pin DIL package. The ISA06 utilises MOSFET technology that is optically coupled to a highly efficient GaAlAs infrared light emitting diode.

## FEATURES

- Options :-  
10mm lead spread - add G after part no.  
Surface mount - add SM after part no.  
Tape&reel - add SMT&R after part no.
- High operating Current (400mA)
- High Isolation Voltage (3.75kV<sub>RMS</sub>)
- No moving parts
- High reliability
- Arc-Free without snubber circuits
- All electrical parameters 100% tested
- Custom electrical selections available

## APPLICATIONS

- Telecommunications
- Industrial systems controllers
- Measuring instruments
- Signal transmission between systems of different potentials and impedances



## ABSOLUTE MAXIMUM RATINGS (25°C unless otherwise specified)

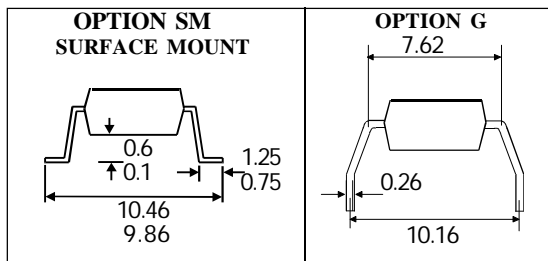
Storage Temperature \_\_\_\_\_ -40°C to + 100°C  
Operating Temperature \_\_\_\_\_ -40°C to + 85°C  
Lead Soldering Temperature  
(1/16 inch (1.6mm) from case for 10 secs) 260°C

## INPUT DIODE

Forward Current \_\_\_\_\_ 50mA  
Reverse Voltage \_\_\_\_\_ 5V

## OUTPUT MOSFET

Load Voltage ( AC peak or DC ) \_\_\_\_\_ 60V  
Continous Load Current \_\_\_\_\_ 400mA  
Peak Current ( 10mS ) \_\_\_\_\_ 700mA



### ISOCOM COMPONENTS LTD

Unit 25B, Park View Road West,  
Park View Industrial Estate, Brenda Road  
Hartlepool, TS25 1YD England Tel: (01429)863609  
Fax : (01429) 863581 e-mail sales@isocom.co.uk  
<http://www.isocom.com>

### ISOCOM COMPONENTS ASIA LTD

Hong Kong Office, 1712-1713  
Laurels Industrial Centre, 32 Tai Yau Street,  
San Po Kong, Kowloon, Hong Kong.  
Tel: +852 2995 9217 Fax : +852 8161 6292  
e-mail sales@isocom.com.hk

**ELECTRICAL CHARACTERISTICS ( $T_A=25^{\circ}\text{C}$  Unless otherwise noted)**

PARAMETER		MIN	TYP	MAX	UNITS	TEST CONDITION
Input	Forward Voltage ( $V_F$ )	1.0		1.4	V	$I_F=10\text{mA}$
	Reverse Current ( $I_R$ )			10	$\mu\text{A}$	$V_R=5\text{V}$
Output	On state Resistance ( $R_{on}$ )		1.0	1.4	Ohm	$I_F=10\text{mA}, I_L=400\text{mA}$
	Off state Leakage Current ( $I_{Lk}$ )			1	$\mu\text{A}$	$I_F=0\text{mA}, I_V=60\text{V}$
	Turn-On Time ( $T_{on}$ )		0.2	0.5	mS	$I_F=10\text{mA}, I_L=400\text{mA}$
	Turn-Off Time ( $T_{off}$ )		0.03	0.3	mS	$I_F=10\text{mA}, I_L=400\text{mA}$
	Ouput Capacitance		150		pF	$f=1\text{MHz}$
Coupled	Capacitance		1.0		pF	$f=1\text{MHz}$
	Isolation Voltage	3750			Vrms	1 minute ( Note 1 )
	Isolation Resistance	5			Gohm	DC= 500V ( Note 1 )

Note 1 Measured with input leads shorted together and output leads shorted together.

Note 2 Special Selections are available on request. Please consult the factory.

