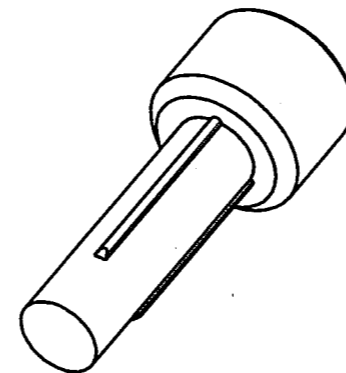
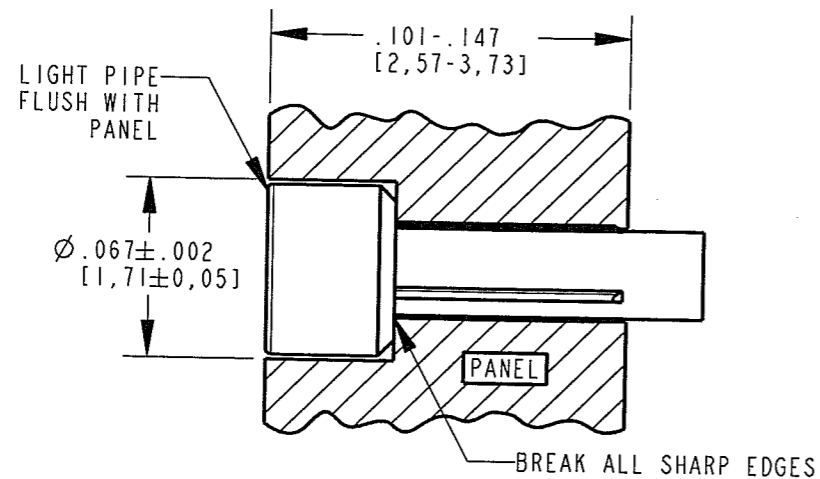
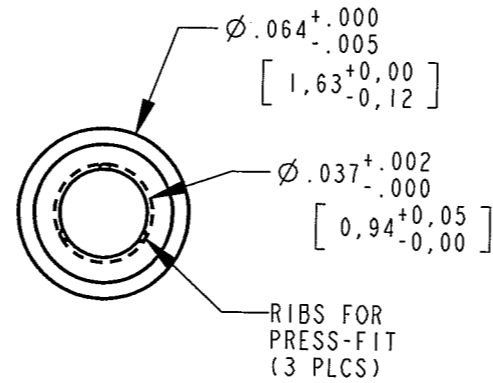
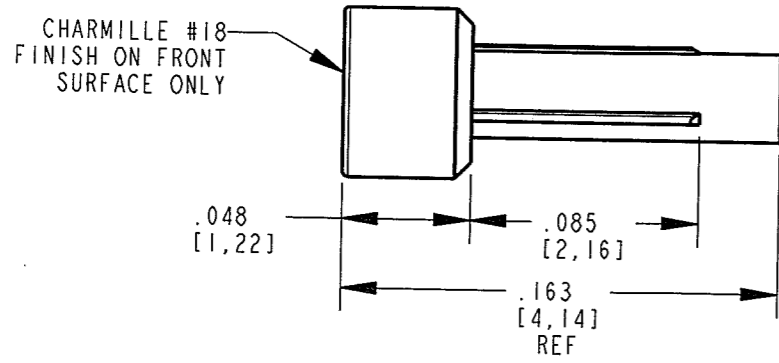
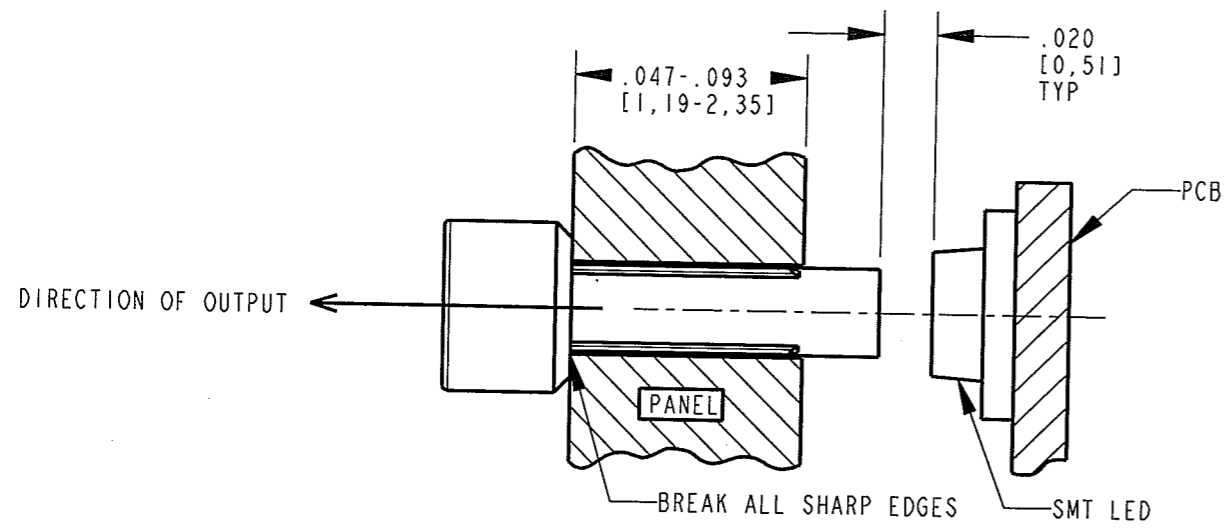


REV	ECN NO	REVISIONS	DRN	CKD	APP	DATE
A	—	NEW RELEASE	KLJ	M.B.	[Signature]	10-17-08



RECOMMENDED PANEL DIMENSIONS FOR FLUSH MOUNT INSTALLATION



RECOMMENDED PANEL DIMENSIONS FOR PROTRUDED INSTALLATION & RECOMMENDED LED PLACEMENT

- NOTES:
- COMPONENTS MOLDED IN A CLEAR TRANSMISSIVE POLYCARBONATE (UL 94V-0 FLAMMABILITY CLASS).
 - COMPONENTS DESIGNED TO BE PRESSED INTO FRONT PANEL.
 - RECOMMENDED LIGHT SOURCES: SMT LED (0603, 0805, AND 1206 PACKAGE SIZES)
 - MOUNTING HOLE SIZE: $\phi .035 \pm .002$ (#65 DRILL)
 - DIALIGHT PART NUMBER: 515-1016F

THIS DRAWING AND THE CONTENTS HEREIN ARE CONFIDENTIAL AND THE SOLE PROPERTY OF DIALIGHT. REPRODUCTION OF THIS DRAWING OR CONSTRUCTION OF ANY PARTS WITHIN THIS DRAWING ARE FORBIDDEN WITHOUT THE WRITTEN CONSENT OF DIALIGHT.		
SCALE: 14.000	DRAWING NUMBER	REV
ALL DIM'S IN: INCHES (MM)	C-17664	A
TOLERANCES: UNLESS OTHERWISE SPECIFIED	TITLE $\phi .064$ STRAIGHT LIGHT PIPE W/ PRESS-FIT; RoHS COMPLIANT	
FRACTIONS: $\pm 1/64$	MATERIAL	
DECIMALS (.XX): $\pm .01$	-	
DECIMALS (.XXX): $\pm .005$	-	
DECIMALS (.XXXX): $\pm .0005$	-	
ANGLES: $\pm 1^\circ$	-	
FINISH:	-	
FSCM 83330	Dialight 1501 ROUTE 34 SOUTH FARMINGDALE, NJ 07727	
SHEET 1 OF 1 FAMILY TABLE:		

RoHS COMPLIANT 515-1016F
 Part Numbers with the "F" suffix ending are RoHS Compliant.
 Packaging is marked with "RoHS Compliant" label or equivalent markings.