

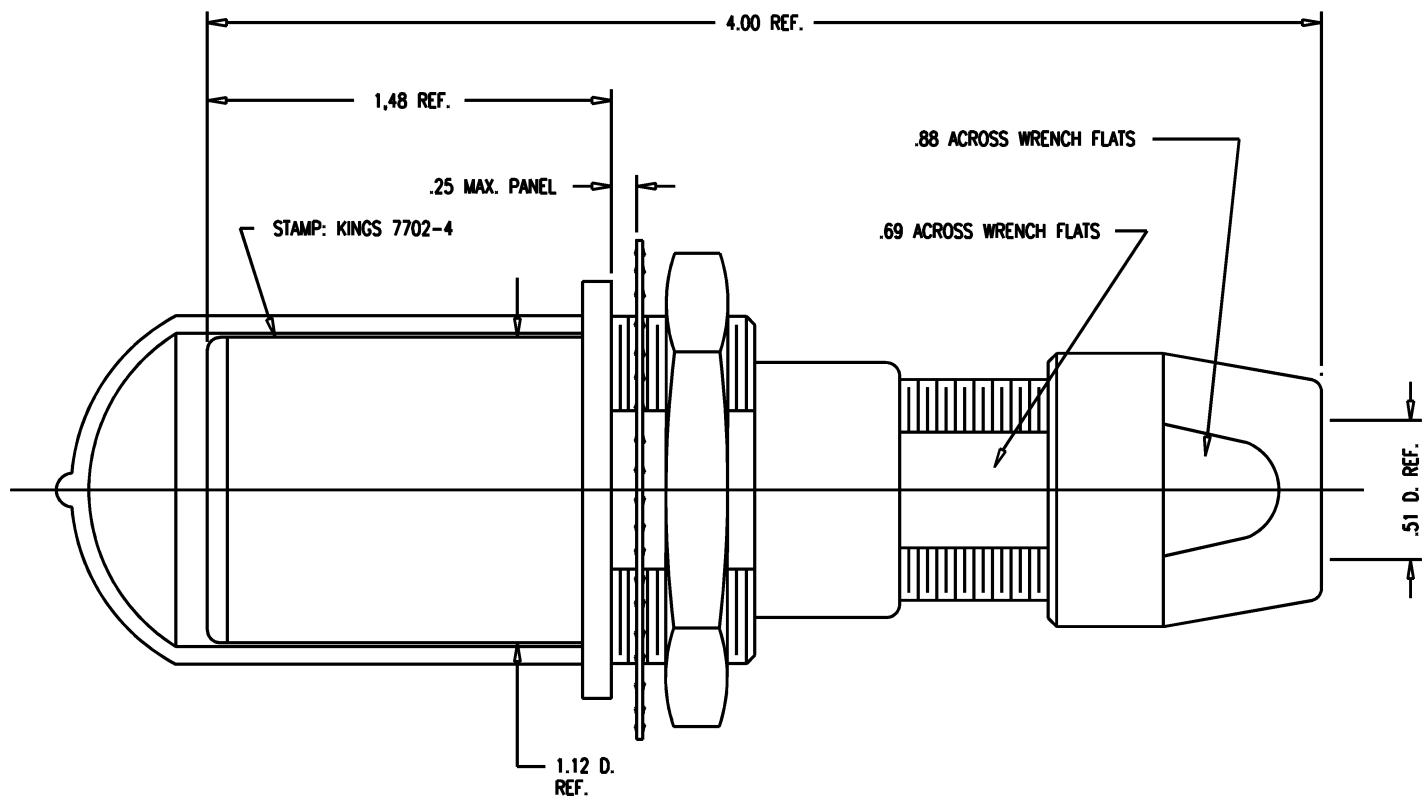
DASH NO.	M CODE	MADE FROM
----------	--------	-----------

GSD

7702-4

REVISIONS

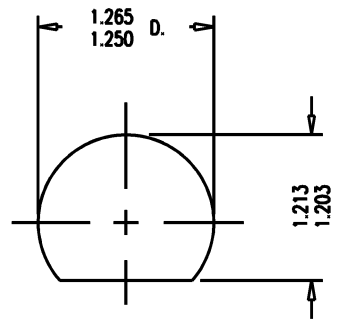
ISSUE	CHANGES
0	ER 35430 KH 04/10/95
1	CN 37238 D KH 02/03/97



NOTES:

- FOR USE WITH 700 CABLE GROUP.
- FOR CABLING INSTRUCTIONS SEE KAI-8010.
- FOR CABLE TRIMMING USE KTJ-300 AND KTD-300.
- FOR CRIMPING USE DIE SIZE 2040.
- MATERIALS:**
 INSULATORS-TEFLON, ASTM-D-4894
 LOCKWASHER-SPRING STEEL, PER ASTM A682
 GASKETS-SILICONE RUBBER, ZZ-R-765
 CAP-VINYL
 K-GRIP SLEEVE-COMMERCIAL BRONZE, ASTM-B-135
 CENTER CONTACT } BER. COP., ASTM-B-196
 OUTER CONTACT SPRING }
 INSERT
 ALL OTHER METAL PARTS-BRASS, ASTM-B16

- FINISHES:**
 CENTER CONTACT } GOLD PLATE PER MIL-G-45204
 OUTER CONTACT SPRING }
 LOCKWASHER }
 NUTS } KINGS TARNISH RESISTANT NICKEL FINISH (TR-5)
 COLLET }
 BODIES }
 ALL OTHER METAL PARTS-SILVER PLATE PER QQ-S-365
- ELECTRICAL CHARACTERISTICS:**
 NOMINAL IMPEDANCE: 75 OHMS
 FREQUENCY RANGE: DC-500 MHZ
 VOLTAGE BREAKDOWN: CENTER CONDUCTOR/INNER GROUND: 1500 VRMS
 INNER GROUND/OUTER GROUND: 500 VRMS



GSD

MOUNTING HOLE

KAM5521

SCALE 2:1

APPROX SURFACE AREA

USED ON

REF: KP-8022-704-400

JK, BKHD, TRI-LOC,
SERIAL DIGITAL

DRAWN KH	DATE 04/10/95
----------	---------------

DESIGN DW	DATE 04/11/95
-----------	---------------

APPR.	DATE
-------	------

KINGS
ELECTRONICS CO., INC.
TUCKAHOE, NEW YORK 10707

7702-4