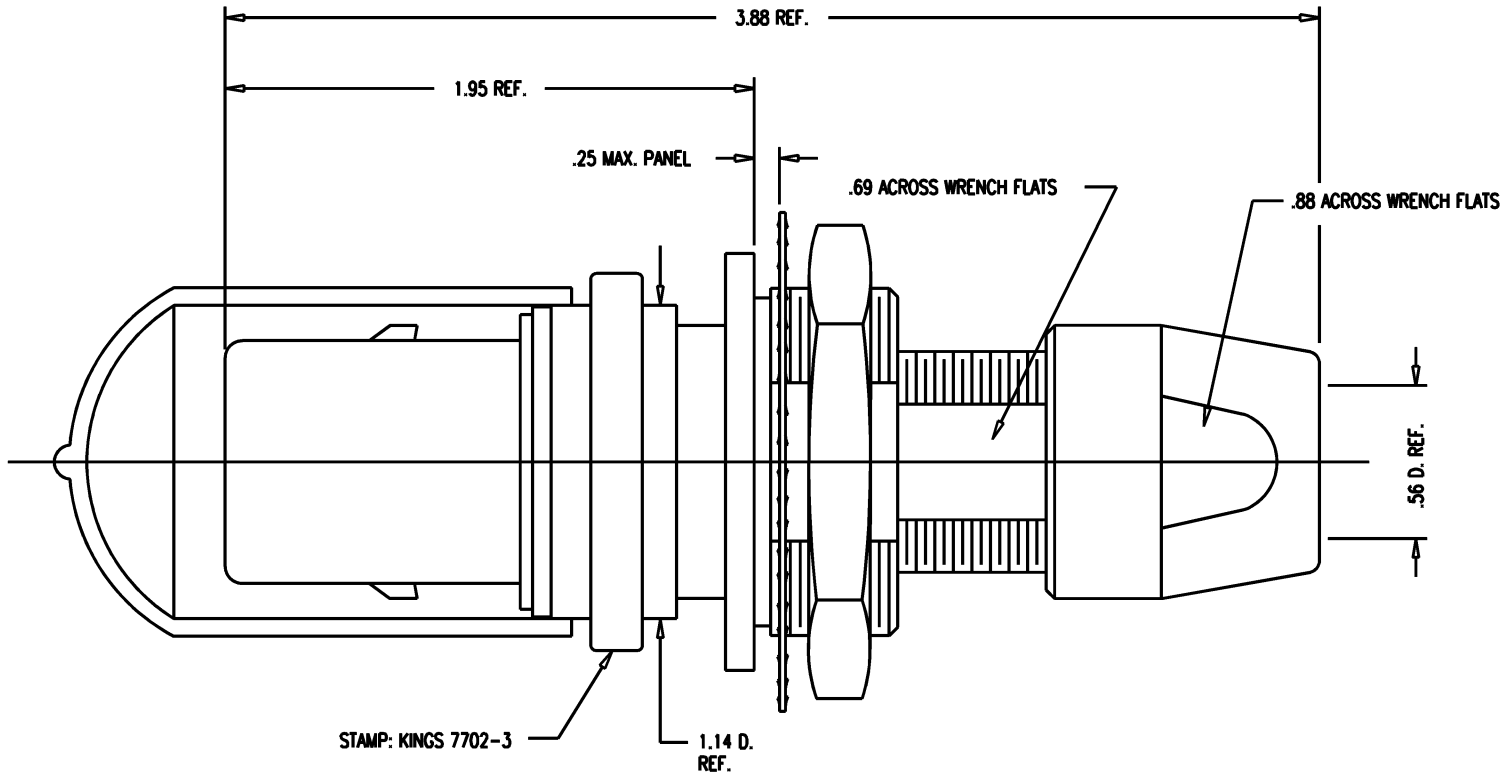


DASH NO.	M CODE	MADE FROM
----------	--------	-----------

GSD

7702-3

REVISIONS	
ISSUE	CHANGES
0	ER 35429 KH 04/17/95
1	CN 36678 A KH 11/07/95



GSD

KAM5553

SCALE 2:1

APPROX SURFACE AREA

USED ON

REF: KP-8012-747-400

PL, BKHD, TRI-LOC
SERIAL DIGITAL

DRAWN KH 04/17/95

DESIGN DW 04/18/95

APPR. DATE

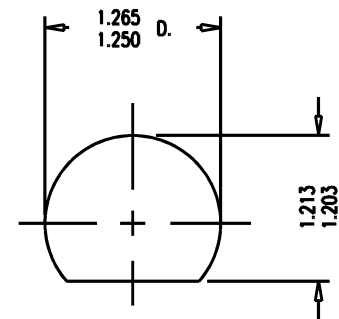
KINGS
ELECTRONICS CO., INC.
TUCKAHOE, NEW YORK 10707

7702-3

NOTES:

- FOR USE WITH 740 CABLE GROUP.
- FOR CABLING INSTRUCTIONS SEE KAI-8010.
- FOR CRIMPING USE DIE SIZE KTH-2041.
- MATERIALS:
INSULATORS: TEFLON, ASTM-D-4894
LOCKWASHER: SPRING STEEL, PER ASTM-A682
CONDUCTIVE GASKET: CONSIL C 87-10004, 60-70 DUROMETER
GASKETS: SILICONE RUBBER, ZZ-R-765
CAP: VINYL
K-GRIP SLEEVE: COM'L BRONZE, ASTM-B-140
OUTER CONTACT: PHOSPHOR BRONZE, ASTM-B-103
BODY: BER. COPPER, ASTM-B-196
ALL OTHER METAL PARTS: BRASS, ASTM-B16

- FINISHES:
CENTER CONTACT: GOLD PLATE PER MIL-G-45204
LOCKWASHER
NUTS
COLLET
OUTER BODIES
BODY RING
ALL OTHER METAL PARTS: SILVER PLATE PER QQ-S-365
KINGS TARNISH RESISTANT NICKEL FINISH (TR-5)
- ELECTRICAL CHARACTERISTICS:
NOMINAL IMPEDANCE: 75 ~W
FREQUENCY RANGE: DC-500 MHZ
VOLTAGE BREAKDOWN: CENTER CONDUCTOR/INNER GROUND: 1500 VRMS
INNER GROUND/OUTER GROUND: 500 VRMS



MOUNTING HOLE