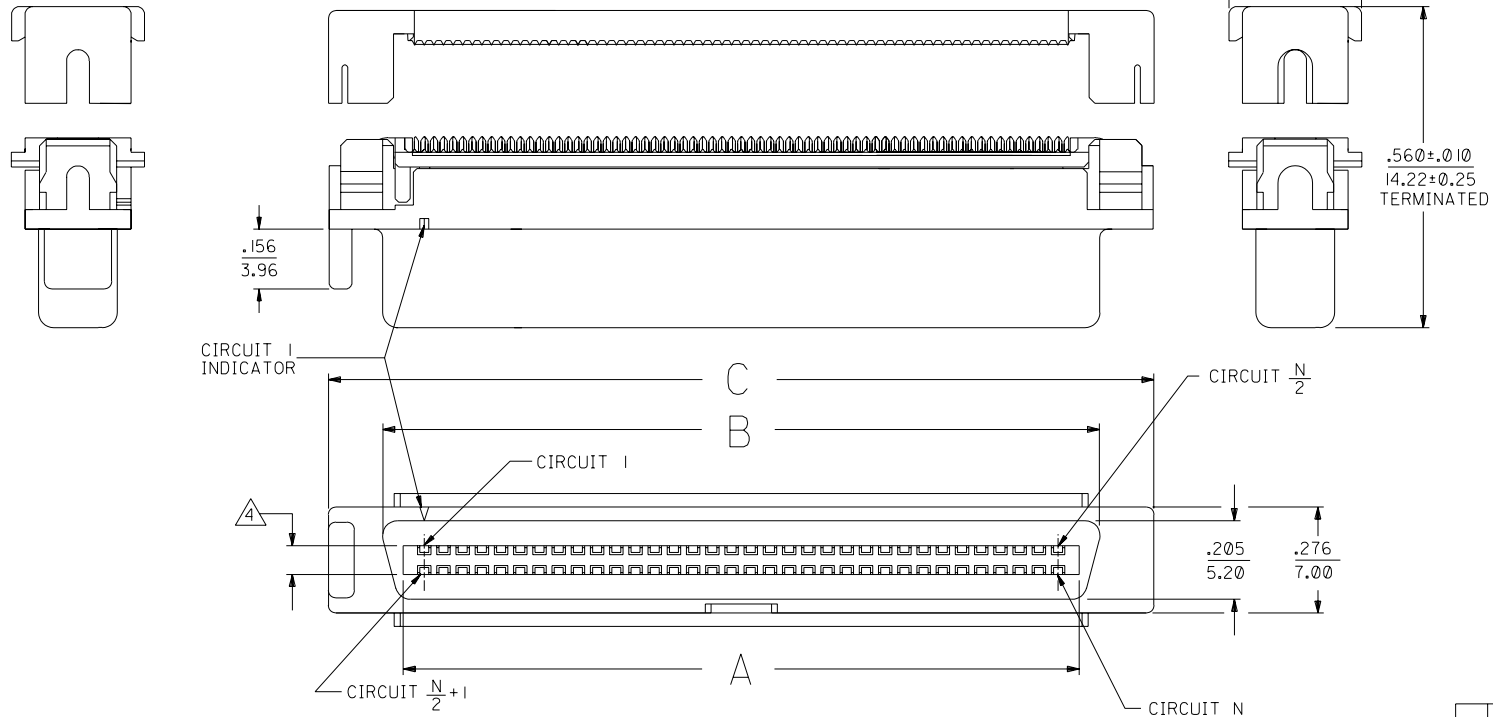


NOTES:

- 1) MATERIALS:  
HOUSING- LCP, GLASS FILLED, 94V-0, BLACK.  
ALIGNER, TERMINATION COVER- POLYESTER, GLASS FILLED, 94V-0, GREY.  
TERMINALS- PHOSPHOR BRONZE ALLOY.
- 2) FINISH:  
SELECTIVE GOLD IN CONTACT AREA  
THICKNESS = 30 MICROINCHES / 0.763 MICROMETERS  
SELECTIVE TIN IN IDT AREA  
THICKNESS = 50 MICROINCHES / 1.27 MICROMETERS  
NICKEL UNDERPLATE OVERALL.
- 3) PRODUCT SPECIFICATION: PS-71660.
- 4) ASSEMBLY MATES WITH MOLEX P/N 71661-\*\*\*\*.  
CONNECTOR WILL ACCEPT MATING TO A P.C. BOARD WITH  
A THICKNESS OF .062±.003.
- 5) CONNECTOR WILL TERMINATE .025 ̢ FLAT RIBBON CABLES OF THE FOLLOWING CONSTRUCTION:  
#30 AWG STRANDED OR SOLID, PVC INSULATION.  
#30 AWG SOLID, FEP INSULATION.
- 6) PRODUCT IS SHIPPED AS A KIT. THE HOUSING/ALIGNER SUB-ASSEMBLY  
IS SHIPPED TRAY PACKED. THE TERMINATION COVER IS INCLUDED IN BULK PACKAGING.  
PER PACKAGING SPECIFICATION PK 70873-0403.
- 7) APPLICATION TOOLING: SEE APPLICATION SPECIFICATION AS-71662-000.

NOTE FOR LEAD FREE CONVERSION:

THE PRIMARY SHIPPING CARTON WILL BE  
LABELED "COMPLIANT TO RoHS DIRECTIVE  
2002/95/EC AND ELV ANNEX II OF  
DIRECTIVE 2000/53/EC". CARTONS WITHOUT  
THIS LABEL MAY CONTAIN PRODUCT WITH  
LEAD.



2.445 (62.10)	2.166 (55.02)	2.025 (51.43)	80	71660-3580
2.145 (54.48)	1.866 (47.40)	1.725 (43.81)	68	71660-3568
1.945 (49.40)	1.666 (42.32)	1.525 (38.74)	60	71660-3560
1.695 (43.05)	1.416 (35.97)	1.275 (32.38)	50	71660-3550
1.445 (36.70)	1.166 (29.62)	1.025 (26.04)	40	71660-3540
1.195 (30.35)	.916 (23.27)	.775 (19.68)	30	71660-3530

C	B	A	CKT "N"	MATERIAL NUMBER
---	---	---	---------	-----------------

LEAD FREE CONV  
ECN UCP2004-2096  
RKADAMS 04/04/23

2	A			
1	B	A		
MFG.	SH.	REV.	LTR.	REVISIONS

DIMENSIONS SHOWN (METRIC) INCH		UNLESS OTHERWISE SPECIFIED TOLERANCES: ANGULAR ± 1/2°	
3 PLACE	± .005	INCH	METRIC
2 PLACE	± .01	± 0.13	
1 PLACE	---	± 0.25	
DRAFT WHERE APPLICABLE MUST REMAIN WITHIN DIMENSIONS			
DRWG. BY: DGA	CHK'D. BY: DGA	APP'D. BY: MGB	SCALE: 4: 1

REVISIONS ONLY ON CAD SYSTEM

TITLE: SALES ASSEMBLY  
EBBI VERTICAL IDT RECEPTACLE  
FOR PVC OR FEP RIBBON CABLE

MOLEX INCORPORATED  
LITSE, ILL. 60532 U.S.A.

SHEET NO. 1 OF 2  
DATE 00/02/22

PART NO. SDA-71660-35\*\*

SEE TABLE

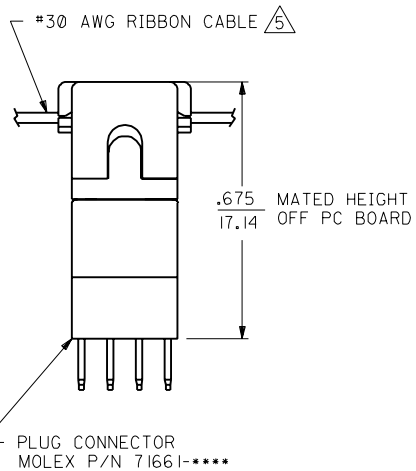
THIS DRAWING CONTAINS INFORMATION THAT IS PROPRIETARY TO MOLEX INC. AND SHOULD NOT BE USED WITHOUT WRITTEN PERMISSION

71660

13 12 11 10 9 8 7 6 5 4 3 2 1

71660

4 3 2 1



TERMINATION COVER COLOR: GREY

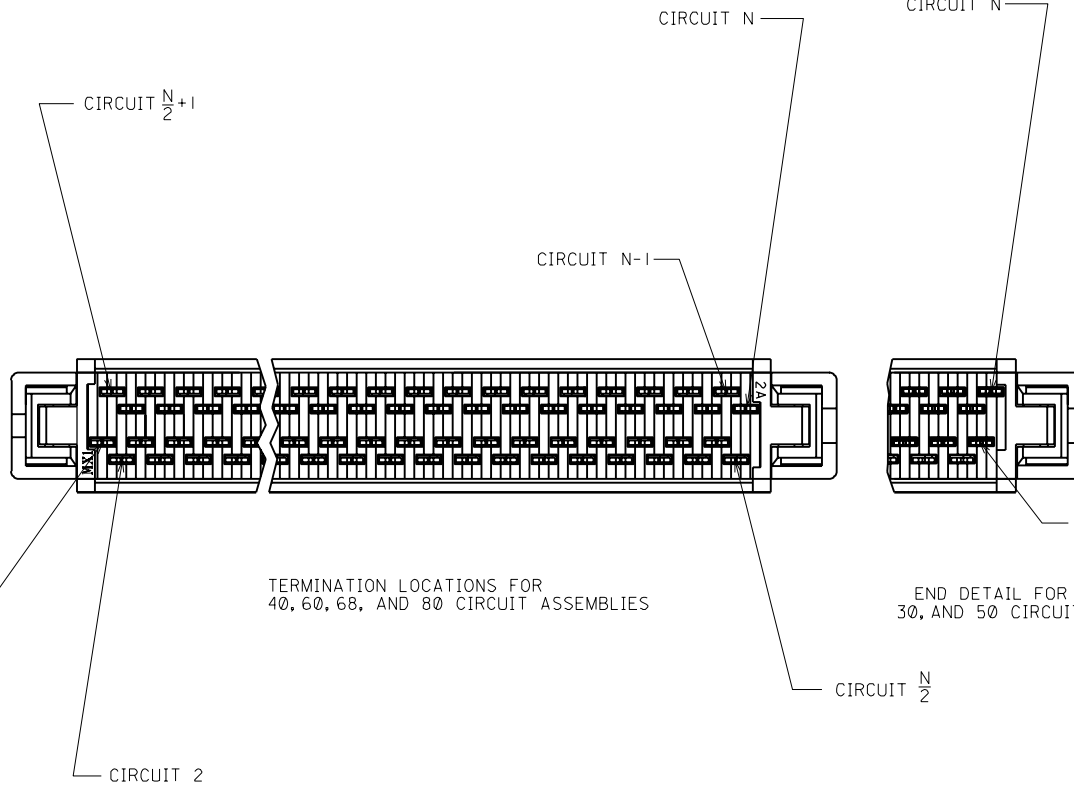
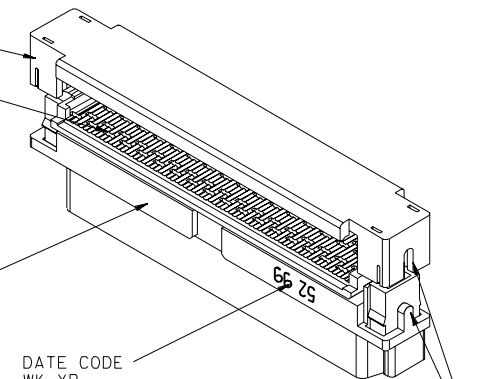
CABLE ALIGNER COLOR: GREY

HOUSING COLOR: BLACK

DATE CODE WK YR

68 CIRCUIT AS SHOWN SCALE- 2:1

TERMINATION COVER POLARIZATION FEATURE NARROW SLOT SHOWN (WIDE SLOT OTHER END)



TERMINATION LOCATIONS FOR 40, 60, 68, AND 80 CIRCUIT ASSEMBLIES

END DETAIL FOR 30, AND 50 CIRCUIT

SEE SHEET I

DIMENSIONS SHOWN (METRIC) INCH		▽ = 1		▽ = 6		REVISE ONLY ON CAD SYSTEM	
UNLESS OTHERWISE SPECIFIED TOLERANCES ANGULAR ± 1/2°		TITLE SALES ASSEMBLY EBBI VERTICAL IDT RECEPTACLE FOR PVC AND FEP RIBBON CA					
INCH METRIC		FROM: MOLEX INCORPORATED SHEET NO. DATE					
3 PLACE ± .005	---	L15LE.ILL. 60532		U.S.A. 2		00/02/22	
2 PLACE ± .01	± 0.13	PART NO. DRWG. NO. SDA-71660-35					
1 PLACE ---	± 0.25	SEE TABLE					
DRAFT WHERE APPLICABLE MUST REMAIN WITHIN DIMENSIONS		THIS DRAWING CONTAINS INFORMATION THAT IS PROPRIETARY TO MOLEX INC. AND SHOULD NOT BE USED WITHOUT WRITTEN PERMISSION					
DRWG. BY: DGA	CHK'D. BY: DGA	SCALE: 4: 1				DIV. C	
APP'D. BY: MGB							SIZE C

13 12 11 10 9 8 7 6 5 4 3 2 1