

PLEASE CHECK WWW.MOLEX.COM FOR LATEST PART INFORMATION

Part Number: [0351804409](#)
Status: **Active**
Description: 1.78mm (.070") Tab Multiple Wire-to-Wire Male Housing With Ear, 4 Circuits, Vertical, Polyester Carbonate, UL94V-0, Blue, Glow Wire Compatible

Documents:

[Drawing \(PDF\)](#) [RoHS Certificate of Compliance \(PDF\)](#)
[Product Specification PS-35180-002 \(PDF\)](#)

Agency Certification

CSA	LR19980
UL	E29179

General

Product Family	Crimp Housings
Series	35180
Comments	Polarized to Mating Part
Product Name	N/A

Physical

Breakaway	No
Circuits (maximum)	4
Color - Resin	Blue
Flammability	94V-0
Gender	Male
Glow-Wire Compliant	Yes
Keying to Mating Part	None
Lock to Mating Part	Yes
Material - Resin	Polyester Alloy
Number of Rows	2
Packaging Type	Bag
Panel Mount	Yes
Pitch - Mating Interface (in)	0.343 In
Pitch - Mating Interface (mm)	8.70 mm
Pitch - Term. Interface (in)	0.343 In
Pitch - Term. Interface (mm)	8.70 mm
Polarized to Mating Part	Yes
Ports	3
Stackable	No
Temperature Range - Operating	-40°C to +120°C

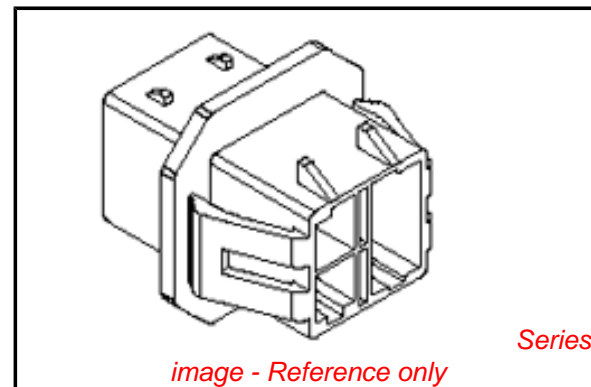
Electrical

Current - Maximum per Contact	10A, 15A, 4A, 5A, 7A
-------------------------------	----------------------

Material Info

Reference - Drawing Numbers

Product Specification	PS-35180-002
Sales Drawing	SD-35180-040*



EU RoHS

ELV and RoHS Compliant
REACH SVHC
 Not Reviewed
Halogen-Free Status
 Not Reviewed

China RoHS



Need more information on product environmental compliance?

Email productcompliance@molex.com
 For a multiple part number RoHS Certificate of Compliance, [click here](#)

Please visit the [Contact Us](#) section for any non-product compliance questions.

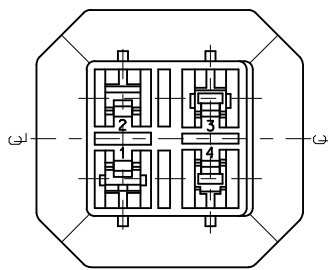
Search Parts in this Series

[35180Series](#)

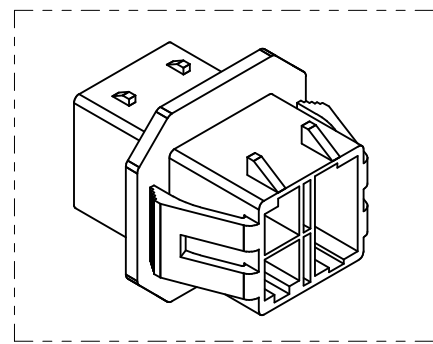
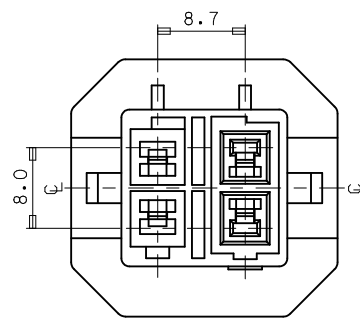
Mates With

Use With

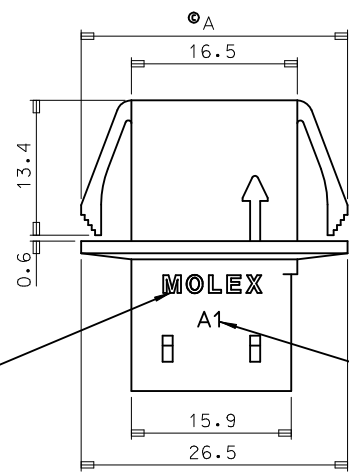
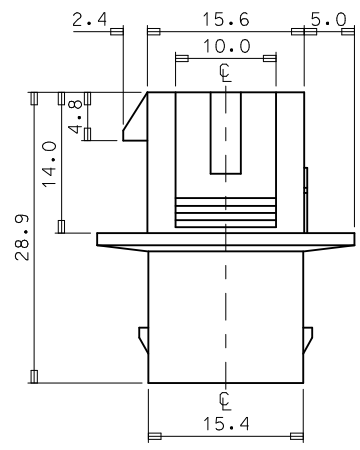
[35745](#) Crimp Terminal, [35746](#) Crimp Terminal, [35747](#) Crimp Terminal, [35748](#) Crimp Terminal



VIEW "A"



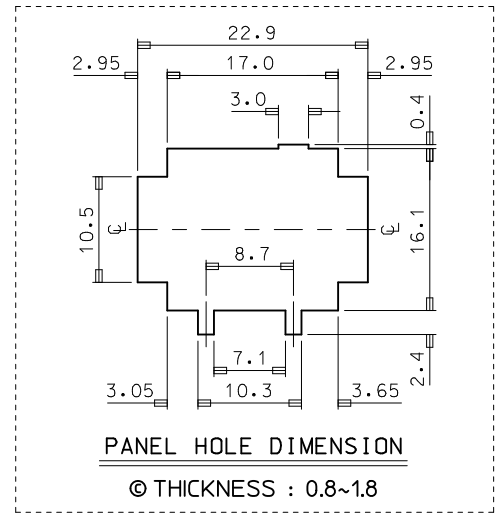
- NOTES.
1. MATERIAL & COLOR : SEE TABLE
 2. MATED HOUSING : 35181-020*, 35965-020*/920*
35181-021*, 35965-021*/921*
 3. APPLICABLE TERMINAL : 35745-0*10 (1 CIRCUIT)
35746-0*10 (3 CIRCUIT)
35747-0*10 (2 CIRCUIT)
35748-0*10 (4 CIRCUIT)
 4. APPLICABLE T.P.A : 35181-029*
 5. PRODUCT SPECIFICATION : PS-35180-002



VIEW "A"

TRADE MARK

©TOOL & CAVITY NO
(TOOL:A,B..CAV:1,2..)



NO	PRODUCT		MATERIAL		DIMENSION ①(A)
	PART NO	MATERIAL NO	COLOR	DESCRIPTION	
1	35180-0400	351800400	NATURAL	PBT (UL94V-0)	26.2
2	35180-0404	351800404	BLUE		
3	35180-0409	351800409	NATURAL	PC/PET (UL94V-0)	26.5
4	35180-3409	351803409	YELLOW		
5	35180-4409	351804409	BLUE		

REVISED	DESCRIPTION	QUALITY SYMBOLS
EC NO: KOR2010-009Z	2010/01/14	▽=0
DRWN: JHPARK01	2010/01/14	▽=0
CHKD: MY YANG	2010/01/14	
APPR: YUNSIKKIM	2010/01/14	

GENERAL TOLERANCES (UNLESS SPECIFIED)	
	mm INCH
4 PLACES ±	±
3 PLACES ±	±
2 PLACES ±	±
1 PLACE ±	±
ANGULAR ± 1°	
DRAFT WHERE APPLICABLE MUST REMAIN WITHIN DIMENSIONS	

DIMENSION STYLE	
MM ONLY	
DRAWN BY	DATE
CHECKED BY	DATE
APPROVED BY	DATE
MATERIAL NO.	DOCUMENT NO.
SEE TABLE	
SIZE	
A3	

SCALE	DESIGN UNITS	THIRD ANGLE PROJECTION
2:1	METRIC	
TITLE		
.070 MULTI W/W CONN MALE HSG-4P		
MOLEX INCORPORATED		
MATERIAL NO.	DOCUMENT NO.	SHEET NO.
SEE TABLE	SD-35180-040*	1 OF 01
THIS DRAWING CONTAINS INFORMATION THAT IS PROPRIETARY TO MOLEX INCORPORATED AND SHOULD NOT BE USED WITHOUT WRITTEN PERMISSION		