

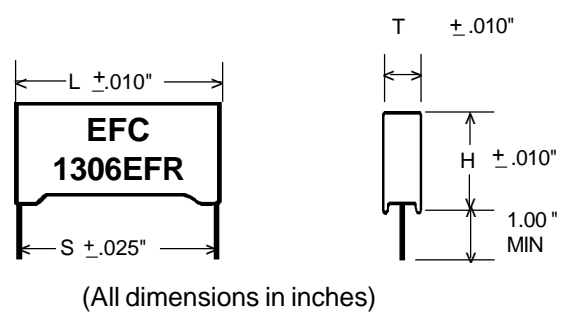


1306EFR

**Epoxy Case
(Radial Leads)**

Lead Specs.
Tinned Copperweld
B through E cases: 22 AWG
F through Q cases: 20 AWG

**Polyester (Mylar®)
and Foil
Capacitors**



DIMENSIONS and RATINGS

Cap. μF	63/40 VDC/VAC	160/100 VDC/VAC	250/160 VDC/VAC	400/220 VDC/VAC	630/250 VDC/VAC	CASE SIZE	L <u>mm</u> in.	T <u>mm</u> in.	H <u>mm</u> in.	S <u>mm</u> in.
.001	B	B	B	B	C	B	10.5	4	9	7.5
.0012	B	B	B	B	C	C	.413	.157	.354	.295
.0015	B	B	B	B	C		13	4	9	10
.0022	B	B	B	B	C	D	.512	.157	.354	.394
.0027	B	B	B	C	D		13	5	11	10
.0039	B	B	B	C	E	E	.512	.197	.433	.394
.0047	B	B	B	C	E		13	6	12	10
.0056	B	B	B	C	F	F	.512	.236	.472	.394
.0068	B	B	C	D	F		18	5	11	15
.0082	B	B	C	D	F	G	.709	.197	.433	.591
.01	B	B	C	E	G		18	6	12	15
.012	B	B	C	E	G	H	.709	.236	.472	.591
.015	B	C	C	F	H		18	7.5	13.5	15
.018	B	C	D	F	H	J	.709	.295	.531	.591
.022	C	C	E	G	H		26.5	6	15	20
.027	C	C	E	G	K/M	K	1.04	.236	.591	.787
.033	C	D	F	H	K/M		26.5	7	16	20
.039	C	D	F	H	N	L	1.04	.276	.630	.787
.047	C	E	G	H	N		26.5	6	15	22.5
.056	D	E	G	K/M	O	M	1.04	.236	.591	.886
.068	D	F	H	K/M	O		26.5	7	16	22.5
.082	E	G	H	N	P	N	1.04	.276	.630	.886
.1	E	G	J/L	N	P		26.5	8.5	16.3	22.5
.12	F	G	K/M	O	P	O	1.04	.335	.642	.886
.15	G	H	N	P	Q		26.5	10	19	22.5
.18	G	H	N	P		P	1.04	.394	.748	.886
.22	H	K/M	O	Q			32	11	20	27.5
.27	H	K/M	O			Q	1.26	.433	.787	1.08
.33	J/L	N	P				32	13	22	27.5
.39	K/M	N	P			1.26	.512	.866	1.08	
.47	N	O	Q							
.56	N	P	Q							
.68	O	P								
.82	O	P								
1.0	P	Q								
1.25	Q									
1.5	Q									

ELECTRONIC FILM CAPACITORS, INC.

Reidville Industrial Park * 41 Interstate Lane * WATERBURY, CONNECTICUT 06705
Phone (203) 755-5629 FAX (203) 755-0659

EFC will manufacture to any non-standard value and size. Please consult factory for special requirements.