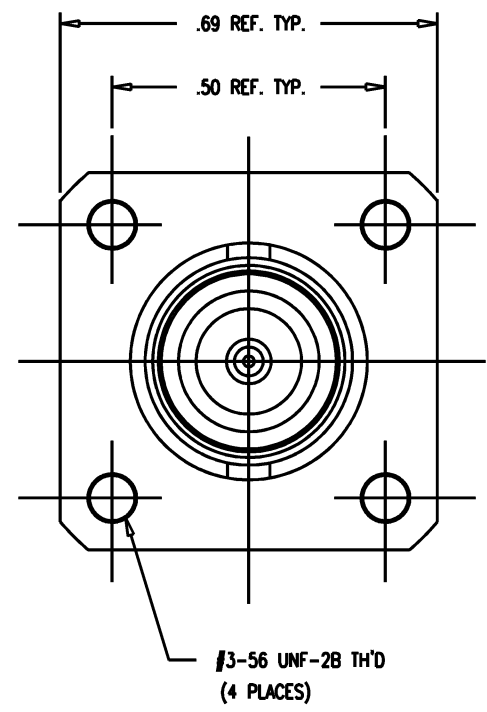
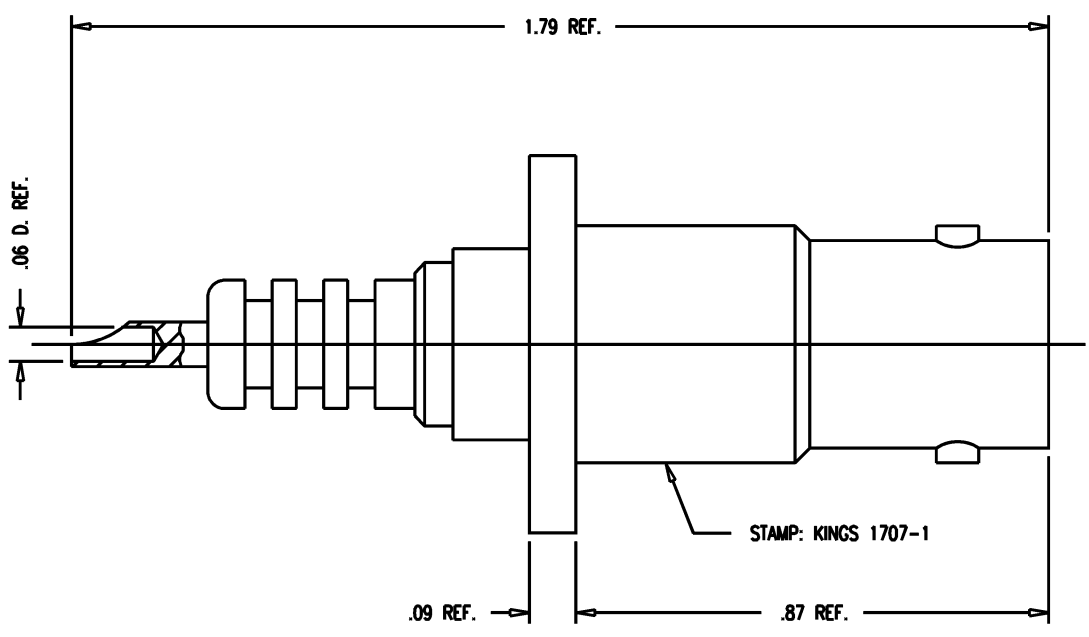


DASH NO.	M CODE	MADE FROM
----------	--------	-----------

# GSD



1707-1

### REVISIONS

ISSUE	CHANGES
3	CN 32289 E KH 06/13/90
4	CN 34186 C KH 11/06/92
5	CN 37951 E HVN 12/20/99

#### NOTES:

- INTERFACE PER MIL-STD-348, FIG. 314-1.
- MATERIALS:
  - INSULATOR: TEFLON, ASTM-D-1457
  - BODY } BRASS, ASTM-B16
  - CENTER CONTACT }
- FINISHES:
  - CENTER CONTACT: GOLD PLATE PER MIL-G-45204
  - BODY: KINGS TARNISH RESISTANT FINISH (TR-5)
- ELECTRICAL CHARACTERISTICS:
  - NOMINAL IMPEDANCE: NON-CONSTANT
  - VOLTAGE RATING: 3500 VRMS
  - 5000 VDC

KAM0392

SCALE 4:1

APPROX SURFACE AREA

USED ON

REF:

RECEPTACLE, PANEL, SHV, M

DRAWN KH	DATE 06/13/90
----------	---------------

DESIGN MJB	DATE 06/19/90
------------	---------------

APPR.	DATE
-------	------

**KINGS**  
ELECTRONICS CO., INC.  
TUCKAHOE, NEW YORK 10707

# GSD

1707-1