

**PLEASE CHECK WWW.MOLEX.COM FOR LATEST PART INFORMATION**

**Part Number:** [0472720028](#)  
**Status:** **Active**  
**Overview:** [displayport](#)  
**Description:** 0.50mm (.020") Pitch DisplayPort\* Male Receptacle, Right Angle, SMT, Gold (Au) Flash Plating, 20 Circuits, without Cover, with Mylar, Flange, Latch Holes, Peg and Solder Tab of Shell, Leadfree

**Documents:**

[Drawing \(PDF\)](#) [RoHS Certificate of Compliance \(PDF\)](#)

**General**

Product Family	I/O Connectors
Series	<a href="#">47272</a>
Application	Wire-to-Board
Comments	Through Hole Peg of Shell
Component Type	Receptacle
Overview	<a href="#">displayport</a>
Product Name	DisplayPort*
Type	N/A

**Physical**

Boot Color	N/A
Circuits (Loaded)	20
Circuits (maximum)	20
Color - Resin	Black
Gender	Male
Keying to Mating Part	Yes
Lock to Mating Part	Yes
Material - Metal	Copper Alloy
Material - Plating Mating	Gold
Material - Plating Termination	Tin-Bismuth
Material - Resin	High Temperature Thermoplastic
Number of Rows	2
Orientation	Right Angle
PCB Locator	Yes
PCB Retention	Yes
Packaging Type	Embossed Tape on Reel
Panel Mount	With Flange
Pitch - Mating Interface (in)	0.039 In
Pitch - Mating Interface (mm)	0.50 mm
Pitch - Term. Interface (in)	0.039 In
Pitch - Term. Interface (mm)	0.50 mm
Plating min: Mating (µin)	2
Plating min: Mating (µm)	0.05
Plating min: Termination (µin)	40
Plating min: Termination (µm)	1
Polarized to Mating Part	Yes
Polarized to PCB	Yes
Ports	1
Temperature Range - Operating	-20°C to +85°C
Termination Interface: Style	Surface Mount
Waterproof / Dustproof	No

**Electrical**

Current - Maximum per Contact	0.5A
Grounding to Panel	Yes



*image - Reference only*

*Series*

**EU RoHS**

**ELV and RoHS  
Compliant**  
**REACH SVHC  
Not Reviewed**  
**Halogen-Free  
Status**

**China RoHS**



**Need more information on product  
environmental compliance?**

Email [productcompliance@molex.com](mailto:productcompliance@molex.com)  
 For a multiple part number RoHS Certificate of Compliance, [click here](#)

Please visit the [Contact Us](#) section for any non-product compliance questions.

**Search Parts in this Series**

[47272Series](#)

**Mates With**

[47271](#) Plug Sub-Assemblies, [68783](#) Cable Series

Shielded  
Voltage - Maximum

Yes  
40V AC

**Material Info**

**Reference - Drawing Numbers**

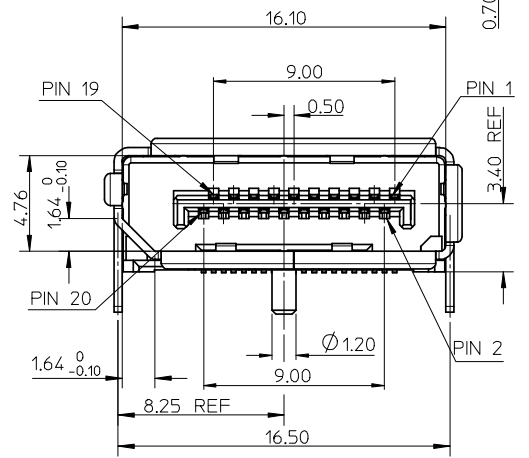
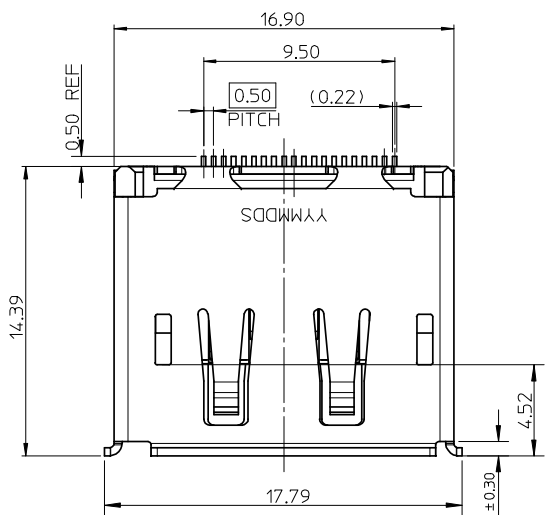
Packaging Specification

PK-47272-003

\* DisplayPort is a Trademark of VESA

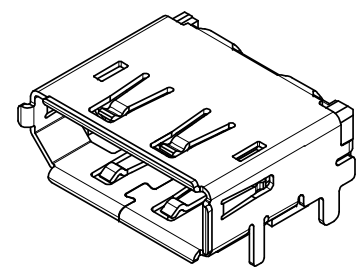
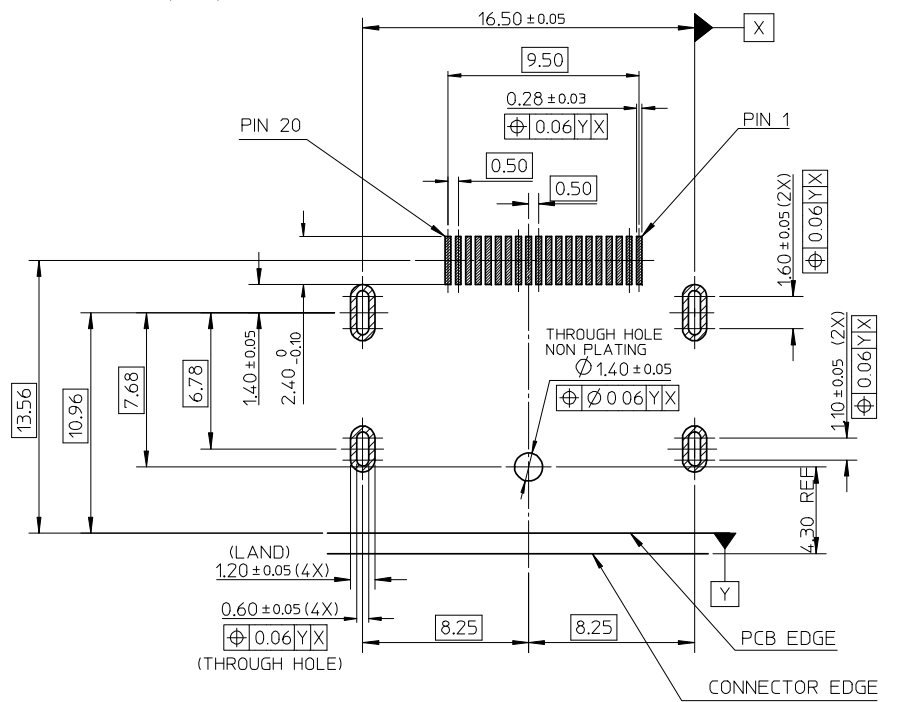
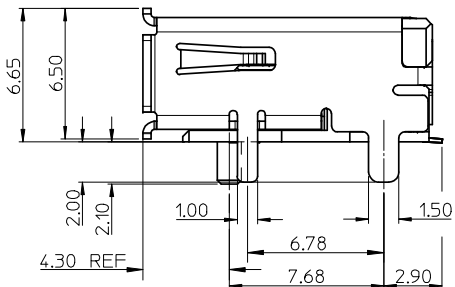
This document was generated on 05/19/2010

**PLEASE CHECK [WWW.MOLEX.COM](http://WWW.MOLEX.COM) FOR LATEST PART INFORMATION**



NOTES:

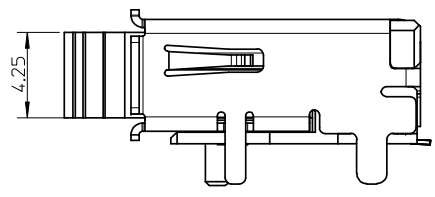
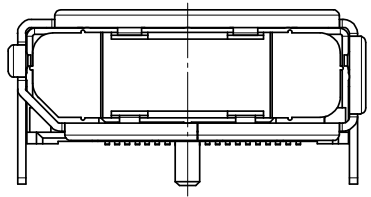
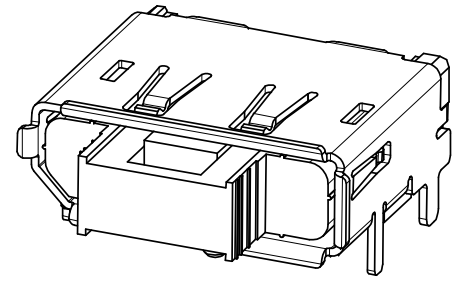
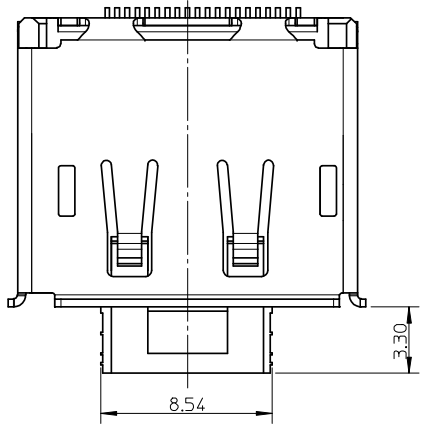
- MATERIAL:
  - HOUSING: HGH TEMPERATURE THERMAL PLASTIC, BLACK, 30% GLASS FILLED, UL94V-0.
  - TERMINAL: COPPER ALLOY.
  - SHELL: COPPER ALLOY.
- PLATING:
  - TERMINAL: CONTACT AREA(10.76 MICROMETER GOLD PLATING (2)0.38MICROMETER GOLD PLATING (3)GOLD FLASH PLATING AND SOLDER TAIL 1-3 MICROMETER TIN BISMUTH UNDER PLATE1-3 MICROMETER NICKEL PLATING OVERALL.
  - SHELL:(a)1.27~2.54 MICROETER SOLDERABLE NICKEL PLATING OVERALL. (b)SHEEL PEG SOLDERING SURFACE PLATE GOLD FLASH UNDER PLATE1-3 MICROMETER NICKEL PLATING OVERALL. (c) SHELL PLATE 2.1~3.0 MICROMETER TIN UNDER PLATE1.27~2.25 MICROERER NICKEL OVERALL
- SOLDERTAIL COPLANARITY 0.10 MAX.
- PS REFER TO PS-47272-001



NEW RELEASE EC NO: SH2009-0038 DRW: HHE CHK: RZHANG APPR: HWANG 2008/08/05 2008/08/06 2008/08/21	QUALITY SYMBOLS ▽ = 0 ◻ = 0	GENERAL TOLERANCES (UNLESS SPECIFIED)		DIMENSION STYLE MM ONLY		SCALE 1:1	DESIGN UNITS METRIC	THIRD ANGLE PROJECTION		
		4 PLACES ± --- ± ---	DRAWN BY RZHANG	DATE 2005/07/01	TITLE 10MM PITCH DISPLAY PORT RECEPTACLE ASSEMBLY					
		3 PLACES ± --- ± ---	CHECKED BY IWANG	DATE 2005/07/01	MOLEX INCORPORATED					
		2 PLACES ± 0.25 ± --- 1 PLACE ± 0.25 ± ---	APPROVED BY JNCHEN	DATE 2005/07/01	MATERIAL NO. SEE SHEETS		DOCUMENT NO. SD-47272-001	SHEET NO. 1 OF 7		
A4.4	REV	DRAFT WHERE APPLICABLE MUST REMAIN WITHIN DIMENSIONS		SIZE A3	THIS DRAWING CONTAINS INFORMATION THAT IS PROPRIETARY TO MOLEX INCORPORATED AND SHOULD NOT BE USED WITHOUT WRITTEN PERMISSION					

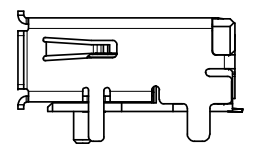
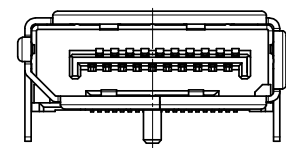
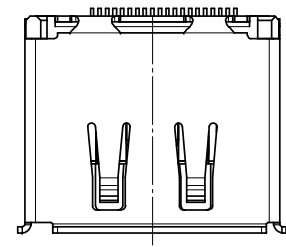
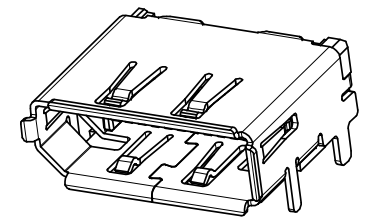
10 9 8 7 6 5 4 3 2 1

WITH COVER



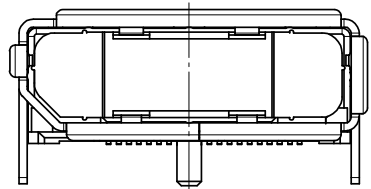
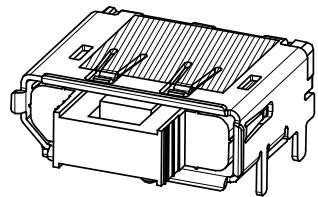
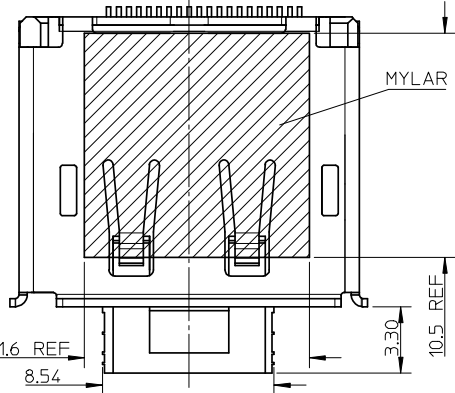
NOTES:  
 1.UNSPECIFIED DIMENSION ARE SAME AS SHEET1  
 2.CONNECTOR WITH COVER IS USED FOR WARE SOLDERING PEG

WITHOUT LATCH HOLE



NOTES:  
 1.UNSPECIFIED DIMENSION ARE SAME AS SHEET1

WITH COVER AND MYLAR



NOTES:  
 1.UNSPECIFIED DIMENSION ARE SAME AS SHEET1  
 2.CONNECTOR WITH COVER IS USED FOR WARE SOLDERING PEG

NEW RELEASE EC NO: SH2009-0038 DRW:JHE CHKD:RZHANG APPR:HWANG	2008/08/05	2008/08/06	2008/08/07
	REV	DESCRIPTION	
	A4.4		

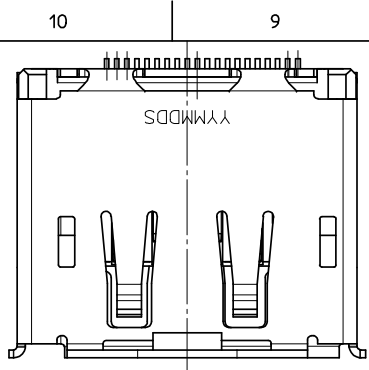
QUALITY SYMBOLS	DESCRIPTION
▽=0	
∇=0	

GENERAL TOLERANCES (UNLESS SPECIFIED)	
	mm INCH
4 PLACES	± --- ± ---
3 PLACES	± --- ± ---
2 PLACES	± 0.25 ± ---
1 PLACE	± 0.25 ± ---
ANGULAR ± 3 °	
DRAFT WHERE APPLICABLE MUST REMAIN WITHIN DIMENSIONS	

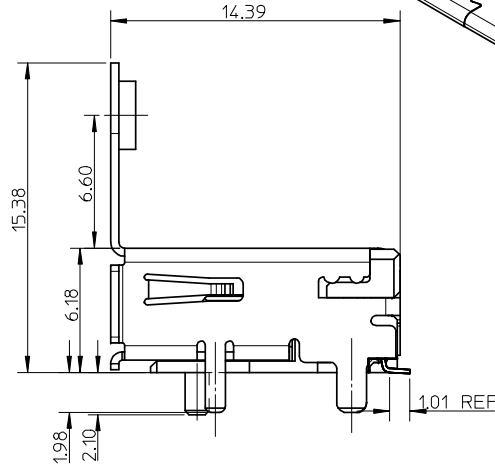
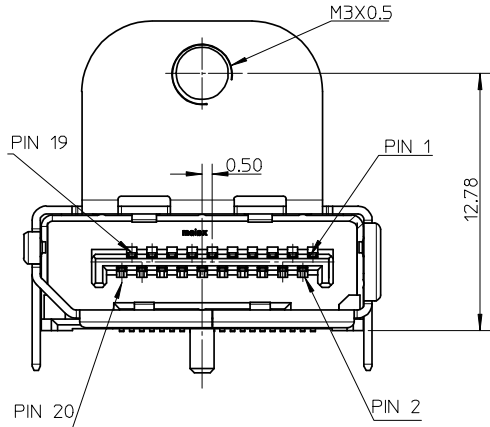
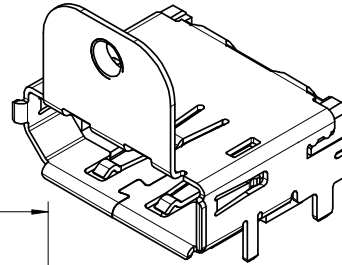
DIMENSION STYLE		SCALE	DESIGN UNITS	THIRD ANGLE PROJECTION
MM ONLY		1:1	METRIC	⊙
DRAWN BY	DATE	TITLE		
RZHANG	2005/07/01	1.0MM PITCH DISPLAY PORT RECEPTACLE ASSEMBLY		
CHECKED BY	DATE	MOLEX INCORPORATED		
IWANG	2005/07/01			
APPROVED BY	DATE	DOCUMENT NO.		
JNCHEN	2005/07/01	SD-47272-001		
MATERIAL NO.		SHEET NO.		
SEE SHEETS 5		2 OF 7		

DRAWN BY		DATE	TITLE	
RZHANG		2005/07/01	1.0MM PITCH DISPLAY PORT RECEPTACLE ASSEMBLY	
CHECKED BY		DATE	MOLEX INCORPORATED	
IWANG		2005/07/01		
APPROVED BY		DATE	DOCUMENT NO.	
JNCHEN		2005/07/01	SD-47272-001	
MATERIAL NO.		SHEET NO.		
SEE SHEETS 5		2 OF 7		

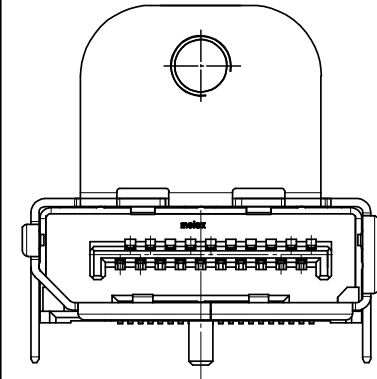
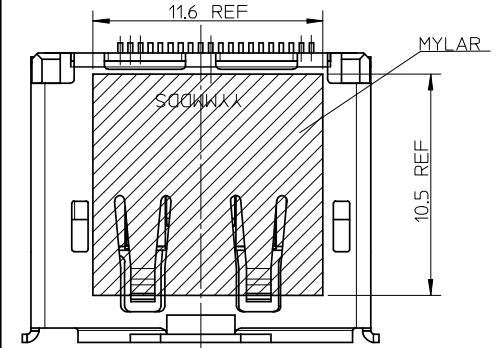
9 8 7 6 5 4 3



WITH FLANGE AND THROUGH HOLE PEG

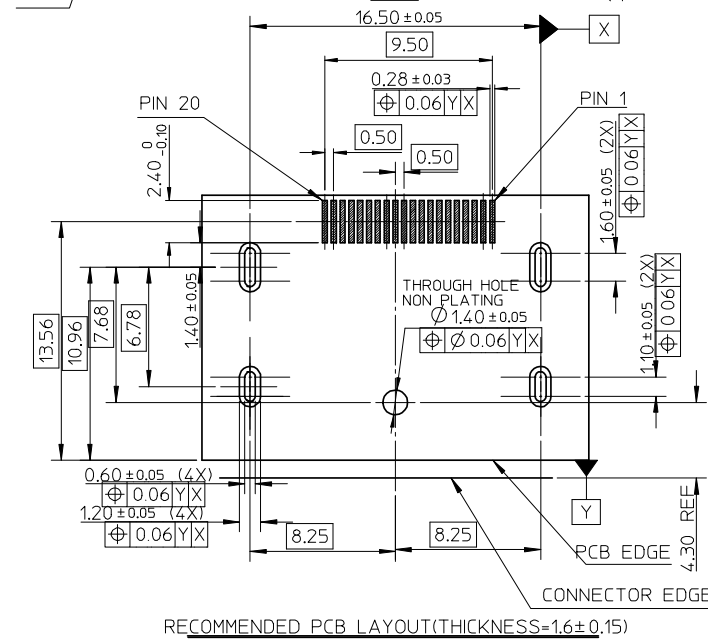


WITH MYLAR



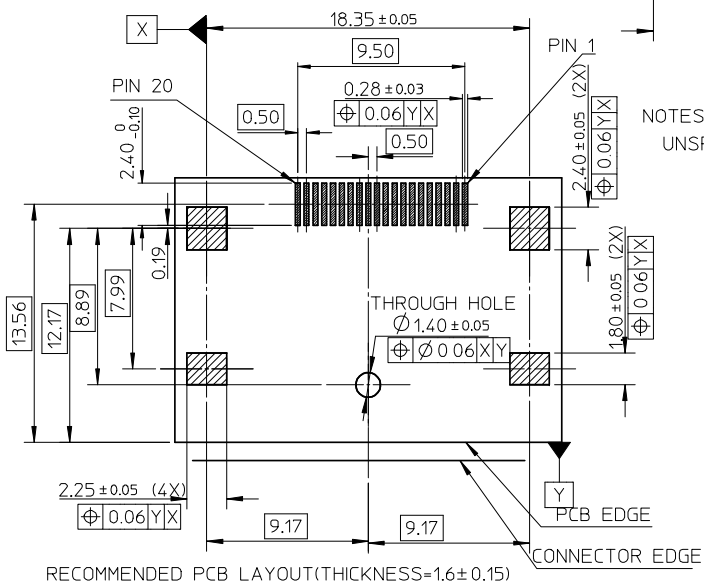
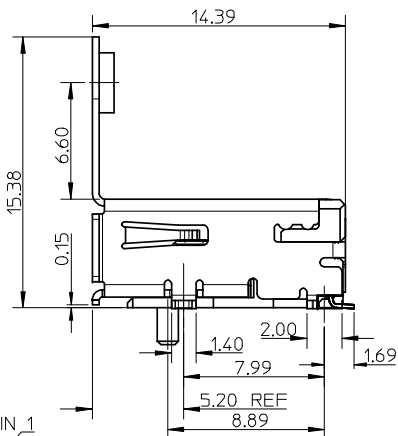
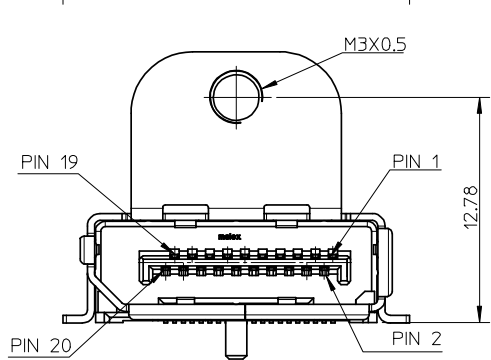
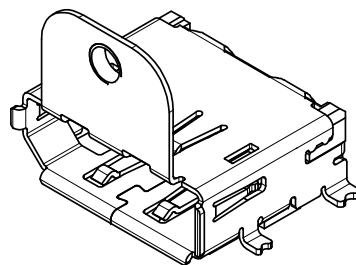
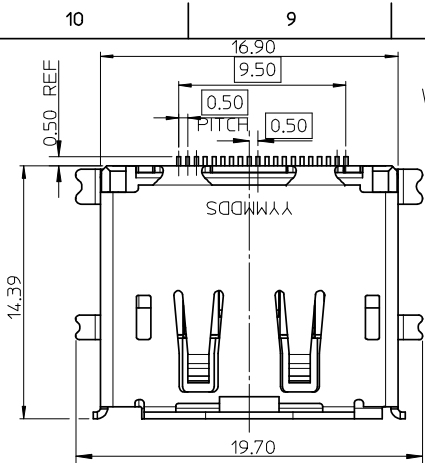
NOTES:  
UNSPECIFIED DIMENSION ARE SAME AS SHEET1

NOTES:  
UNSPECIFIED DIMENSION ARE SAME AS SHEET1



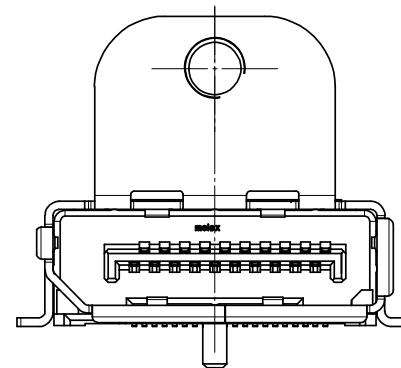
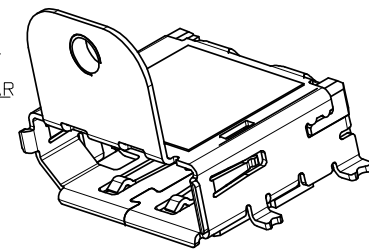
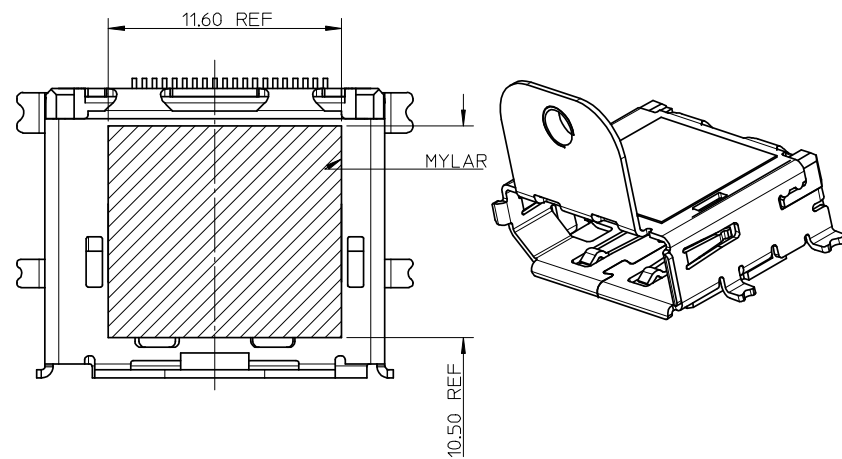
<b>NEW RELEASE</b> EC NO: SH2009-0038 DRWN:HE 2008/08/05 CHKD:RZHANG 2008/08/06 APPR:HWANG 2008/08/21	QUALITY SYMBOLS = 0 = 0	GENERAL TOLERANCES (UNLESS SPECIFIED)		DIMENSION STYLE <b>MM ONLY</b>		SCALE <b>1:1</b>	DESIGN UNITS <b>METRIC</b>	THIRD ANGLE PROJECTION			
		4 PLACES ± --- ± ---	mm INCH	DRAWN BY RZHANG	DATE 2005/07/01	TITLE <b>1.0MM PITCH DISPLAY PORT RECEPTACLE ASSEMBLY</b>					
		3 PLACES ± --- ± ---		CHECKED BY IWANG	DATE 2005/07/01	MOLEX INCORPORATED					
		2 PLACES ± 0.25 ± --- 1 PLACE ± 0.25 ± ---		APPROVED BY JNCHEN	DATE 2005/07/01	MATERIAL NO. SEE SHEETS		DOCUMENT NO. <b>SD-47272-001</b>	SHEET NO. <b>3 OF 7</b>		
DRAFT WHERE APPLICABLE MUST REMAIN WITHIN DIMENSIONS		ANGULAR ± 3 °		THIS DRAWING CONTAINS INFORMATION THAT IS PROPRIETARY TO MOLEX INCORPORATED AND SHOULD NOT BE USED WITHOUT WRITTEN PERMISSION							

WITH FLANGE AND SMT PEG



NOTES:  
UNSPECIFIED DIMENSION ARE SAME AS SHEET 1

WITH FLANGE AND MYLAR



NOTES:  
1. UNSPECIFIED DIMENSION ARE SAME AS SHEET 1  
2. THE RECOMMENDER PCB ARE SAME AS LEFT RECMENDER PCB

NEW RELEASE EC NO: SH2009-0038 DRW: HHE CHK: DRZHANG APPR: HWANG	2008/08/05	2008/08/06	2008/08/21
	2008/08/05	2008/08/06	2008/08/21
	2008/08/05	2008/08/06	2008/08/21
	2008/08/05	2008/08/06	2008/08/21

QUALITY SYMBOLS ▽=0 ∇=0	GENERAL TOLERANCES (UNLESS SPECIFIED)	
	mm	INCH
	4 PLACES ± --- ± ---	3 PLACES ± --- ± ---
	2 PLACES ± 0.25 ± ---	1 PLACE ± 0.25 ± ---
ANGULAR ± 3 °		
DRAFT WHERE APPLICABLE MUST REMAIN WITHIN DIMENSIONS		
SIZE	THIS DRAWING CONTAINS INFORMATION THAT IS PROPRIETARY TO MOLEX INCORPORATED AND SHOULD NOT BE USED WITHOUT WRITTEN PERMISSION	

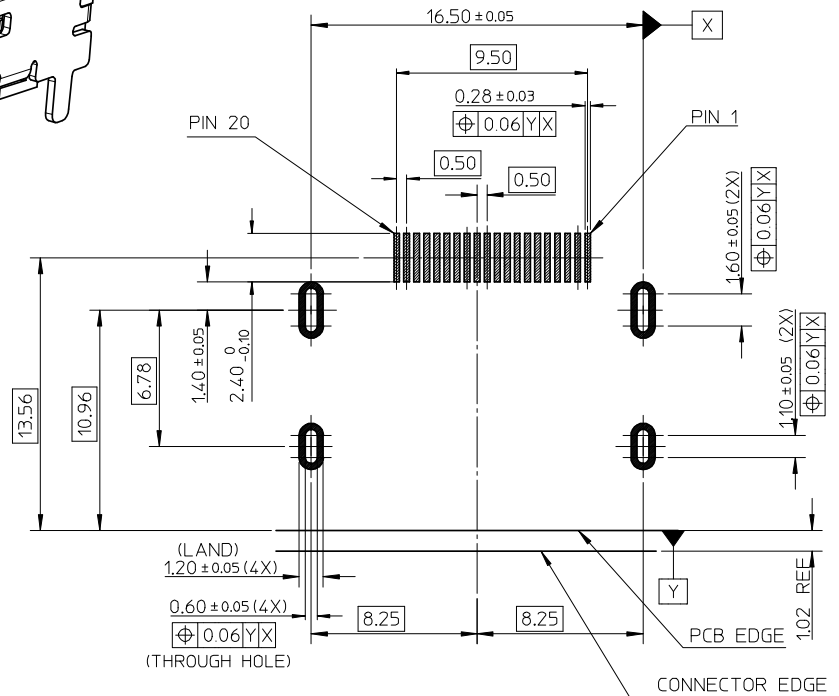
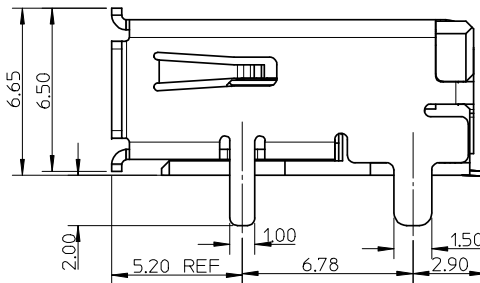
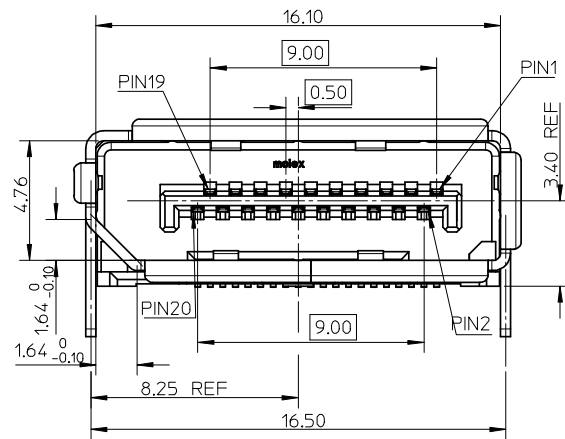
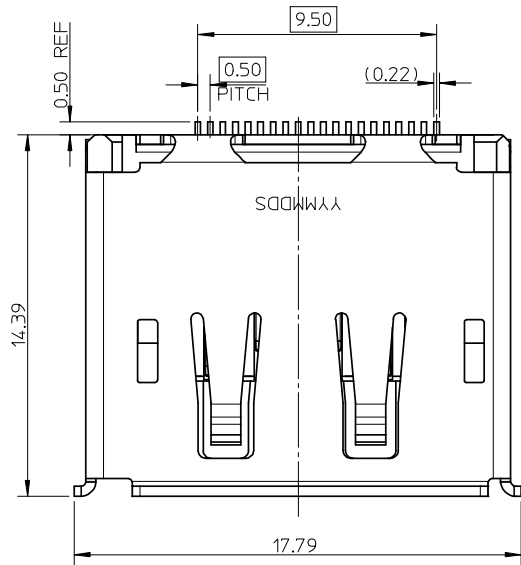
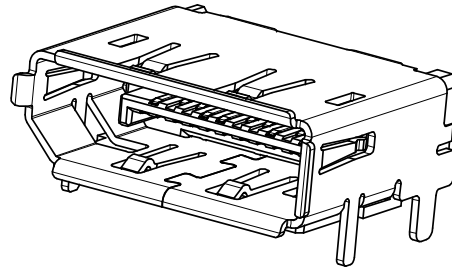
DIMENSION STYLE MM ONLY	
DRAWN BY RZHANG	DATE 2005/07/01
CHECKED BY IWANG	DATE 2005/07/01
APPROVED BY JNCHEN	DATE 2005/07/01
MATERIAL NO.	

SCALE 1:1	DESIGN UNITS METRIC	THIRD ANGLE PROJECTION
TITLE 1.0MM PITCH DISPLAY PORT RECEPTACLE ASSEMBLY		
MOLEX INCORPORATED		SHEET NO. 4 OF 7
DOCUMENT NO. SD-47272-001		

10	9	8	7	6	5	4	3	2	1		
ASSEMBLY NO.	WITH COVER	WITH FLANGE	SMT PEG OF SHELL	THROUGH HOLE PEG OF SHELL	GOLD PLATING IN CONTACT AREA	SHELL PLATING	WITH LATCH HOLE	MYLAR	POST	PACKAGE METHOD	REMARK
47272-0001	WITHOUT	WITHOUT	/	WITH	SEE NOTE2(1)	SEE NOTE2(a)	WITH	WITHOUT	WITH		WITH EMI SHIELD FOR SHEET 1
47272-0002	WITHOUT	WITHOUT	/	WITH	SEE NOTE2(1)	SEE NOTE2(a)	WITH	WITHOUT	WITH		
47272-0011	WITHOUT	WITHOUT	/	WITH	SEE NOTE2(2)	SEE NOTE2(a)	WITH	WITHOUT	WITH		
47272-0021	WITHOUT	WITHOUT	/	WITH	SEE NOTE2(3)	SEE NOTE2(a)	WITH	WITHOUT	WITH		FOR SHEET 2
47272-0003	WITHOUT	WITHOUT	/	WITH	SEE NOTE2(1)	SEE NOTE2(a)	WITHOUT	WITHOUT	WITH		
47272-1002	WITH	WITHOUT	/	WITH	SEE NOTE2(1)	SEE NOTE2(a)	WITH	WITHOUT	WITH		
47272-0012	WITH	WITHOUT	/	WITH	SEE NOTE2(2)	SEE NOTE2(a)	WITH	WITHOUT	WITH		
47272-0022	WITH	WITHOUT	/	WITH	SEE NOTE2(3)	SEE NOTE2(a)	WITH	WITHOUT	WITH		FOR SHEET 3
47272-0024	WITH	WITHOUT	/	WITH	SEE NOTE2(1)	SEE NOTE2(a)	WITH	WITH	WITH		
47272-0004	WITH	WITH	/	WITH	SEE NOTE2(1)	SEE NOTE2(c)	WITH	WITHOUT	WITH		
47272-1004	WITHOUT	WITH	/	WITH	SEE NOTE2(1)	SEE NOTE2(c)	WITH	WITHOUT	WITH		
47272-0025	WITHOUT	WITH	/	WITH	SEE NOTE2(1)	SEE NOTE2(c)	WITH	WITH	WITH		FOR SHEET 4
47272-0028	WITHOUT	WITH	/	WITH	SEE NOTE2(3)	SEE NOTE2(c)	WITH	WITH	WITH		
47272-1005	WITHOUT	WITH	SMT PEG	/	SEE NOTE2(1)	SEE NOTE2(c)	WITH	WITHOUT	WITH		
47272-0023	WITHOUT	WITH	SMT PEG	/	SEE NOTE2(1)	SEE NOTE2(c)	WITH	WITH	WITH		
47272-0026	WITHOUT	WITHOUT	/	WITH	SEE NOTE2(1)	SEE NOTE2(a)	WITH	WITHOUT	WITHOUT		FOR SHEET 6
47272-0027	WITH	WITH	/	WITH	SEE NOTE2(1)	SEE NOTE2(c)	WITH	WITH	WITH		FOR SHEET 7

<b>NEW RELEASE</b> EC NO: SH2009-0038 DRWN: HHE CHKD: RZHANG APPR: HWANG	2008/08/05 2008/08/06 2008/08/21	DESCRIPTION REV	QUALITY SYMBOLS	GENERAL TOLERANCES (UNLESS SPECIFIED)	DIMENSION STYLE	SCALE	DESIGN UNITS	THIRD ANGLE PROJECTION		
			$\nabla=0$ $\nabla=0$	mm    INCH 4 PLACES ± --- ± --- 3 PLACES ± --- ± --- 2 PLACES ± 0.25 ± --- 1 PLACE ± 0.25 ± --- ANGULAR ± 3 °	MM ONLY	1:1	METRIC	DRAWN BY: RZHANG    DATE: 2005/07/01 CHECKED BY: IWANG    DATE: 2005/07/01 APPROVED BY: JNCHEN    DATE: 2005/07/01	TITLE	1.0MM PITCH DISPLAY PORT RECEPTACLE ASSEMBLY
				DRAFT WHERE APPLICABLE MUST REMAIN WITHIN DIMENSIONS	SEE CHART	MATERIAL NO.	DOCUMENT NO.	MOLEX INCORPORATED	SHEET NO.	5 OF 7
			A4.4			SIZE	THIS DRAWING CONTAINS INFORMATION THAT IS PROPRIETARY TO MOLEX INCORPORATED AND SHOULD NOT BE USED WITHOUT WRITTEN PERMISSION			

WITHOUT POST

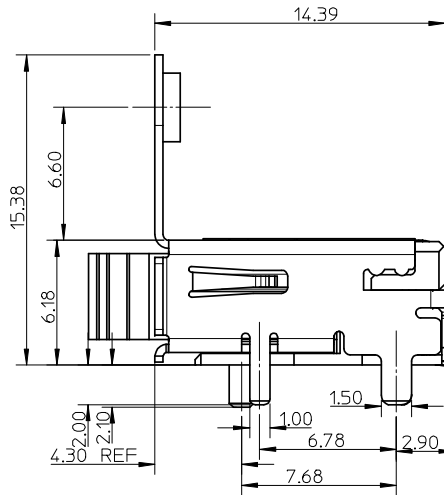
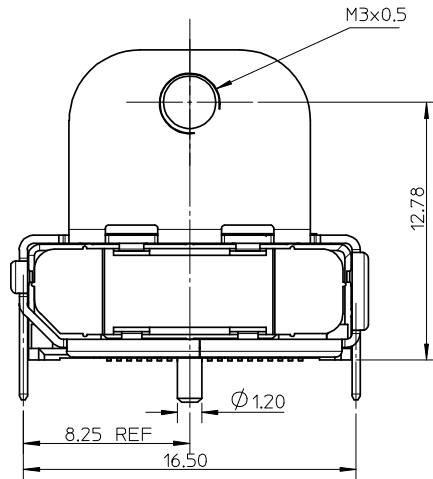
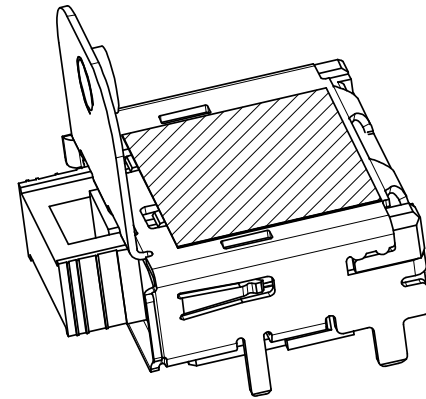
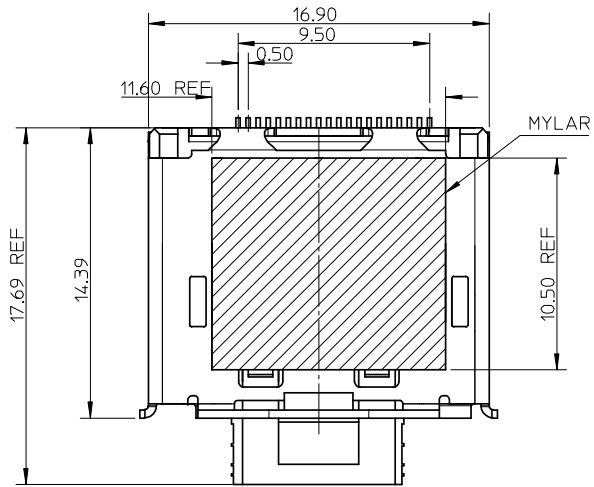


RECOMMENDED PCB LAYOUT (THICKNESS=1.6±0.15)

NOTES:  
UNSPECIFIED DIMENSION ARE SAME AS SHEET1

<p><b>NEW RELEASE</b> EC NO: SH2009-0038 DRW:HHH 2008/08/05 CHKD:RZHANG 2008/08/06 APPR:HWANG 2008/08/21</p>	QUALITY SYMBOLS	GENERAL TOLERANCES (UNLESS SPECIFIED)		DIMENSION STYLE	SCALE	DESIGN UNITS	THIRD ANGLE PROJECTION
	<p>▽=0 ◻=0</p>	mm	INCH	MM ONLY	1:1	METRIC	
	DESCRIPTION	4 PLACES	± ---	± ---	DRAWN BY	DATE	TITLE
	REV	3 PLACES	± ---	± ---	RZHANG	2005/07/01	1.0MM PITCH DISPLAY PORT RECEPTACLE ASSEMBLY
	2 PLACES	± 0.25	± ---	CHECKED BY	DATE	MOLEX INCORPORATED	
	1 PLACE	± 0.25	± ---	IWANG	2005/07/01		SD-47272-001
		ANGULAR ± 3 °		APPROVED BY	DATE	SHEET NO.	
		DRAFT WHERE APPLICABLE MUST REMAIN WITHIN DIMENSIONS		JNCHEN	2005/07/01	6 OF 7	
				MATERIAL NO.		THIS DRAWING CONTAINS INFORMATION THAT IS PROPRIETARY TO MOLEX INCORPORATED AND SHOULD NOT BE USED WITHOUT WRITTEN PERMISSION	
				SIZE	SEE SHEETS 5		
				A3			





NOTES:

1. UNSPECIFIC DIMENSION ARE SAME AS SHEET1
2. THE RECOMMENDER PCB ARE SAME AS SHEET1

<p><b>NEW RELEASE</b>          EC NO: SH2009-0038          DRWN: HHE          CHKD: RZHANG          APPR: HWANG</p>	<p>2008/08/05          2008/08/06          2008/08/21</p>	<p>DESCRIPTION          REV</p>	QUALITY SYMBOLS	GENERAL TOLERANCES (UNLESS SPECIFIED)	DIMENSION STYLE	SCALE	DESIGN UNITS	THIRD ANGLE PROJECTION																									
			<p>▽=0          □=0</p>	<table border="1"> <thead> <tr> <th></th> <th>mm</th> <th>INCH</th> </tr> </thead> <tbody> <tr> <td>4 PLACES</td> <td>± ---</td> <td>± ---</td> </tr> <tr> <td>3 PLACES</td> <td>± ---</td> <td>± ---</td> </tr> <tr> <td>2 PLACES</td> <td>± 0.25</td> <td>± ---</td> </tr> <tr> <td>1 PLACE</td> <td>± 0.25</td> <td>± ---</td> </tr> </tbody> </table>		mm	INCH	4 PLACES	± ---	± ---	3 PLACES	± ---	± ---	2 PLACES	± 0.25	± ---	1 PLACE	± 0.25	± ---	MM ONLY	1:1	METRIC											
				mm	INCH																												
			4 PLACES	± ---	± ---																												
3 PLACES	± ---	± ---																															
2 PLACES	± 0.25	± ---																															
1 PLACE	± 0.25	± ---																															
	<table border="1"> <thead> <tr> <th></th> <th>mm</th> <th>INCH</th> </tr> </thead> <tbody> <tr> <td>4 PLACES</td> <td>± ---</td> <td>± ---</td> </tr> <tr> <td>3 PLACES</td> <td>± ---</td> <td>± ---</td> </tr> <tr> <td>2 PLACES</td> <td>± 0.25</td> <td>± ---</td> </tr> <tr> <td>1 PLACE</td> <td>± 0.25</td> <td>± ---</td> </tr> </tbody> </table>		mm	INCH	4 PLACES	± ---	± ---	3 PLACES	± ---	± ---	2 PLACES	± 0.25	± ---	1 PLACE	± 0.25	± ---	<table border="1"> <thead> <tr> <th>DRAWN BY</th> <th>DATE</th> <th>TITLE</th> </tr> </thead> <tbody> <tr> <td>RZHANG</td> <td>2005/07/01</td> <td rowspan="2">1.0MM PITCH DISPLAY PORT RECEPTACLE ASSEMBLY</td> </tr> <tr> <td>IWANG</td> <td>2005/07/01</td> </tr> <tr> <td colspan="2">APPROVED BY</td> <td></td> </tr> <tr> <td>JNCHEN</td> <td>2005/07/01</td> <td></td> </tr> </tbody> </table>	DRAWN BY	DATE	TITLE	RZHANG	2005/07/01	1.0MM PITCH DISPLAY PORT RECEPTACLE ASSEMBLY	IWANG	2005/07/01	APPROVED BY			JNCHEN	2005/07/01			MOLEX INCORPORATED
	mm	INCH																															
4 PLACES	± ---	± ---																															
3 PLACES	± ---	± ---																															
2 PLACES	± 0.25	± ---																															
1 PLACE	± 0.25	± ---																															
DRAWN BY	DATE	TITLE																															
RZHANG	2005/07/01	1.0MM PITCH DISPLAY PORT RECEPTACLE ASSEMBLY																															
IWANG	2005/07/01																																
APPROVED BY																																	
JNCHEN	2005/07/01																																
A4.4				<p>DRAFT WHERE APPLICABLE MUST REMAIN WITHIN DIMENSIONS</p>	<p>SEE SHEET 5</p>	<p>SD-47272-001</p>	<p>7 OF 7</p>																										