

ARM610

Data Sheet

Zarlink Part Number: P610ARM-B/KG/FPNR
P610ARM-B/KW/FPNR

Notes

- 1) The original P610ARM/KG/FPNR is obsolete
- 2) This datasheet includes the performance data previously supplied in supplement MS4397 - Jan 1996



DS3554

ISSUE 3.2

October 2001



Manufactured under licence from Advanced RISC Machines Ltd
ARM and the ARM logo are trademarks of Advanced RISC Machines Ltd
© Advanced RISC Machines Ltd 1999

Preface

The ARM610 is a general purpose 32-bit microprocessor with 4kByte cache, write buffer and Memory Management Unit (MMU) combined in a single chip. The ARM610 offers high level RISC performance yet its fully static design ensures minimal power consumption, making it ideal for portable, low-cost systems.

The innovative MMU supports a conventional two-level page-table structure and a number of extensions which make it ideal for embedded control, UNIX and Object Oriented systems. This results in a high instruction throughput and impressive real-time interrupt response from a small and cost-effective chip.

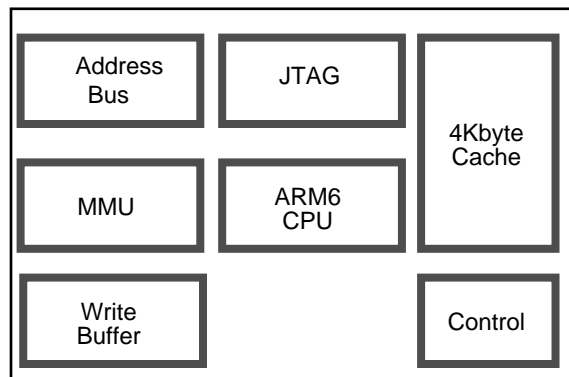
Applications

The ARM610 is ideally suited to those applications requiring RISC performance from a compact, power efficient processor. These include:

- *Personal computer devices eg.PDAs*
- *High-performance real-time control systems*
- *Portable telecommunications*
- *Data communications equipment*
- *Consumer products*
- *Automotive*

Feature Summary

- *High performance RISC*
25 MIPS sustained @ 33 MHz
(33 MIPS peak)
- *Fast sub microsecond interrupt response*
for real-time applications
- *Memory Management Unit (MMU)*
support for virtual memory systems
- *Excellent high-level language support*
- *4kByte of instruction & data cache*
- *Big and Little Endian operating modes*
- *Write Buffer*
enhancing performance
- *IEEE 1149.1 Boundary Scan*
- *Fully static operation, low power consumption*
ideal for power sensitive applications
- *144 Thin Quad Flat Pack (TQFP) package*





TOC

Contents

1	Introduction	1-1
1.1	Introduction	1-2
1.2	Block Diagram	1-4
1.3	Functional Diagram	1-5
2	Signal Description	2-1
2.1	Signal Description	2-2
3	Programmer's Model	3-1
3.1	Introduction	3-2
3.2	Register Configuration	3-2
3.3	Operating Mode Selection	3-3
3.4	Registers	3-3
3.5	Exceptions	3-6
3.6	Reset	3-10
4	Instruction Set	4-1
4.1	Instruction Set Summary	4-2
4.2	The Condition Field	4-5
4.3	Branch and Branch with Link (B, BL)	4-7
4.4	Data Processing	4-9
4.5	PSR Transfer (MRS, MSR)	4-17
4.6	Multiply and Multiply-Accumulate (MUL, MLA)	4-22
4.7	Single Data Transfer (LDR, STR)	4-24
4.8	Halfword and Signed Data Transfer	4-30
4.9	Block Data Transfer (LDM, STM)	4-36
4.10	Single Data Swap (SWP)	4-43
4.11	Software Interrupt (SWI)	4-45
4.12	Coprocessor Data Operations (CDP)	4-47

Contents

4.13	Coprocessor Data Transfers (LDC, STC)	4-49
4.14	Coprocessor Register Transfers (MRC, MCR)	4-53
4.15	Undefined Instruction	4-55
4.16	Instruction Set Examples	4-56
5	Configuration	5-1
5.1	Configuration	5-2
5.2	Internal Coprocessor Instructions	5-2
5.3	Registers	5-2
6	Instruction and Data Cache (IDC)	6-1
6.1	Introduction	6-2
6.2	Cacheable Bit - C	6-2
6.3	Updateable Bit - U	6-2
6.4	IDC Operation	6-2
6.5	IDC Validity	6-3
6.6	Read-Lock-Write	6-3
6.7	IDC Enable/Disable and Reset	6-4
7	Write Buffer (WB)	7-1
7.1	Introduction	7-2
7.2	Bufferable Bit	7-2
7.3	Write Buffer Operation	7-2
8	Coprocessors	8-1
8.1	Overview	8-2
9	Memory Management Unit	9-1
9.1	Memory Management Unit (MMU)	9-2
9.2	MMU Program Accessible Registers	9-2
9.3	Address Translation	9-3
9.4	Translation Process	9-4
9.5	Level One Descriptor	9-5
9.6	Page Table Descriptor	9-5
9.7	Section Descriptor	9-6
9.8	Translating Section References	9-7
9.9	Level Two Descriptor	9-8
9.10	Translating Small Page References	9-9
9.11	Translating Large Page References	9-10
9.12	MMU Faults and CPU Aborts	9-11
9.13	Fault Address and Fault Status Registers (FAR and FSR)	9-11
9.14	Domain Access Control	9-13
9.15	Fault Checking Sequence	9-14
9.16	External Aborts	9-16
9.17	Interaction of the MMU, IDC and Write Buffer	9-17
9.18	Effect of Reset	9-18
10	Bus interface	10-1
10.1	Introduction	10-2
10.2	ARM610 Cycle Speed	10-2

10.3	Cycle Types	10-2
10.4	Memory Access	10-2
10.5	Read/Write	10-3
10.6	Byte/Word	10-3
10.7	Maximum Sequential Length	10-3
10.8	Memory Access Types	10-5
10.9	ARM610 Cycle Type Summary	10-9
11	Boundary-Scan Test Interface	11-1
11.1	Introduction	11-2
11.2	Overview	11-2
11.3	Reset	11-3
11.4	Pullup Resistors	11-3
11.5	Instruction Register	11-3
11.6	Public Instructions	11-3
11.7	Test Data Registers	11-7
11.8	Boundary-Scan Interface Signals	11-10
12	DC Parameters	12-1
12.1	Absolute Maximum Ratings	12-2
12.2	DC Operating Conditions	12-2
12.3	DC Characteristics	12-3
13	AC Parameters	13-1
13.1	Test Conditions	13-2
13.2	Relationship between FCLK and MCLK	13-2
13.3	Main Bus Signals	13-4
14	Physical details	14-1
14.1	Physical Details	14-2
15	Pinout	15-1
15.1	Pinout	15-2
	Backward Compatibility	A-1
	Backward Compatibility	A-2

Contents





1

Introduction

This chapter introduces the ARM610 datasheet.

1.1	Introduction	1-2
1.2	Block Diagram	1-4
1.3	Functional Diagram	1-5

Introduction

1.1 Introduction

ARM610, is a general purpose 32-bit microprocessor with 4kByte cache, write buffer and Memory Management Unit (MMU) combined in a single chip. The CPU within ARM610 is the ARM6. The ARM610 is software compatible with the ARM processor family and can be used with ARM support chips, eg. I/O, memory and video.

The ARM610 architecture is based on 'Reduced Instruction Set Computer' (RISC) principles, and the instruction set and related decode mechanism are greatly simplified compared with microprogrammed 'Complex Instruction Set Computers' (CISC).

The on-chip mixed data and instruction cache together with the write buffer substantially raise the average execution speed and reduce the average amount of memory bandwidth required by the processor. This allows the external memory to support additional processors or Direct Memory Access (DMA) channels with minimal performance loss.

The MMU supports a conventional two-level page-table structure and a number of extensions which make it ideal for embedded control, UNIX and Object Oriented systems.

The instruction set comprises ten basic instruction types:

- Two of these make use of the on-chip arithmetic logic unit, barrel shifter and multiplier to perform high-speed operations on the data in a bank of 31 registers, each 32 bits wide.
- Three classes of instruction control data transfer between memory and the registers, one optimised for flexibility of addressing, another for rapid context switching and the third for swapping data.
- Two instructions control the flow and privilege level of execution.
- Three types are dedicated to the control of external coprocessors which allow the functionality of the instruction set to be extended off-chip in an open and uniform way.

The ARM instruction set is a good target for compilers of many different high-level languages. Where required for critical code segments, assembly code programming is also straightforward, unlike some RISC processors which depend on sophisticated compiler technology to manage complicated instruction interdependencies.

The memory interface has been designed to allow the performance potential to be realised without incurring high costs in the memory system. Speed-critical control signals are pipelined to allow system control functions to be implemented in standard low-power logic, and these control signals permit the exploitation of paged mode access offered by industry standard DRAMs.

ARM610 is a fully static part and has been designed to minimise its power requirements. This makes it ideal for portable applications where both these features are essential.

Datasheet notation

- 0x marks a Hexadecimal quantity
- BOLD** external signals are shown in bold capital letters
- binary where it is not clear that a quantity is binary it is followed by the word binary

Introduction

1.2 Block Diagram

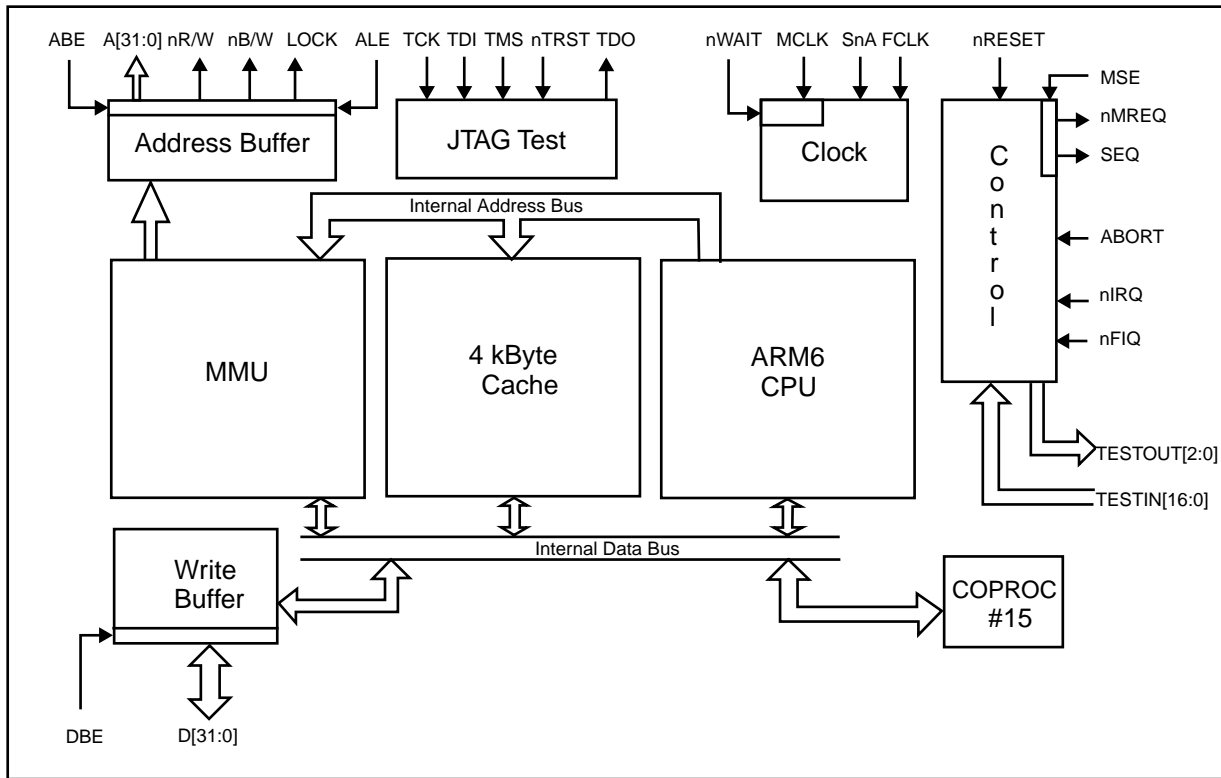


Figure 1-1: ARM610 block diagram

1.3 Functional Diagram

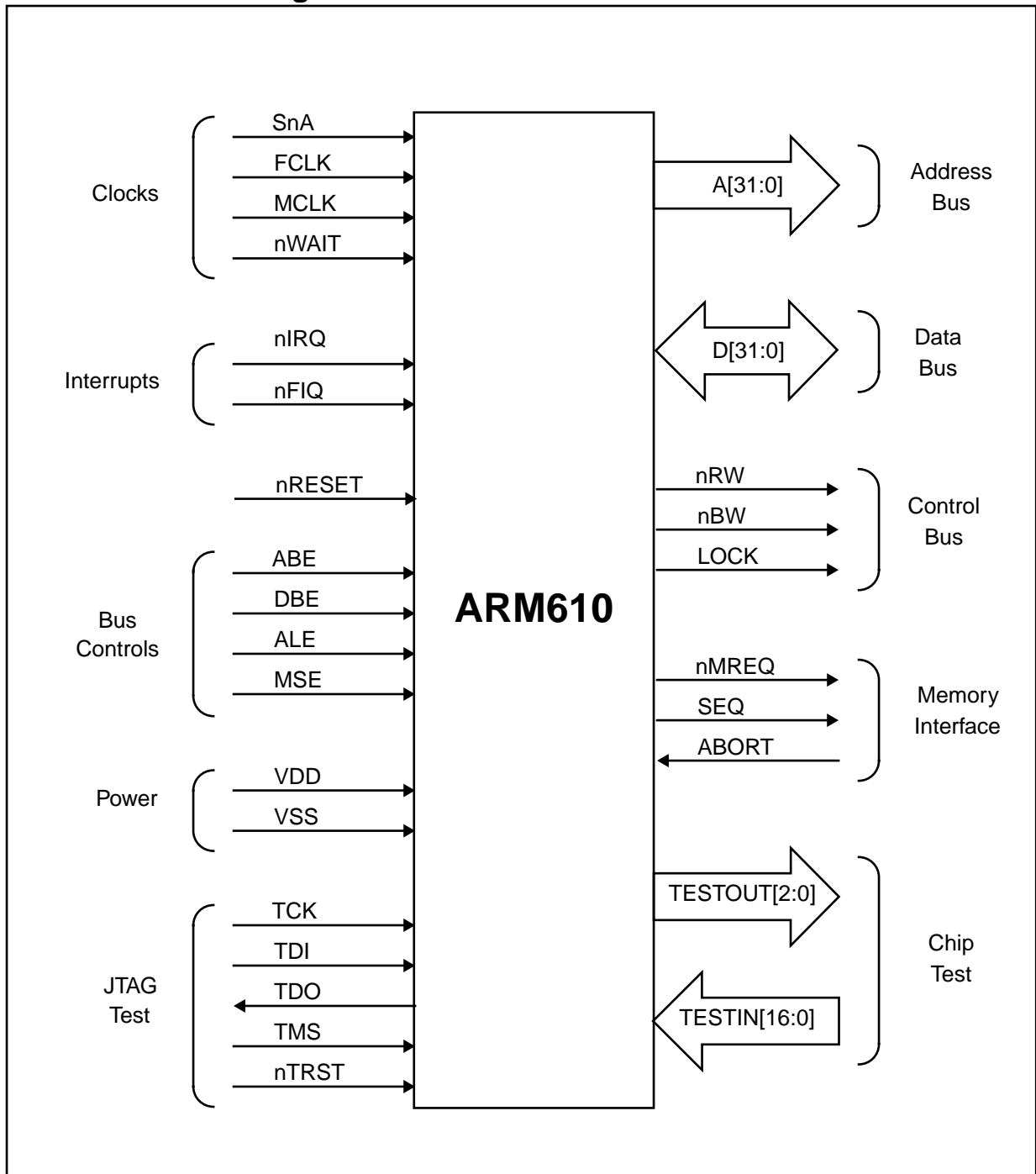


Figure 1-2: Functional diagram

Introduction





2

Signal Description

This chapter gives information on the ARM610 signals.

2.1 Signal Description

2-2

Signal Description

2.1 Signal Description

Key to Signal Types

IT	Input, TTL threshold
OCZ	Output, CMOS levels, tristateable
ITOTZ	Input/output tristateable, TTL thresholds
ICK	Input, clock levels

Name	Type	Description
A[31:0]	OCZ	Address Bus. This bus signals the address requested for memory accesses. Normally it changes during MCLK HIGH.
ABE	IT	Address bus enable. When this input is LOW, the address bus A[31:0] , nRW , nBW and LOCK are put into a high impedance state (Note 1).
ABORT	IT	External abort. Allows the memory system to tell the processor that a requested access has failed. Only monitored when ARM610 is accessing external memory.
ALE	IT	Address latch enable. This input is used to control transparent latches on the address bus A[31:0] , nBWT , nRW and LOCK . Normally these signals change during MCLK HIGH, but they may be held by driving ALE LOW. See 13.2.2 Tald measurement on page 13-3 .
D[31:0]	ITOTZ	Data bus. These are bidirectional signal paths used for data transfers between the processor and external memory. For read operations (when nRW is LOW), the input data must be valid before the falling edge of MCLK . For write operations (when nRW is HIGH), the output data will become valid while MCLK is LOW. At high clock frequencies the data may not become valid until just after the MCLK rising edge (see 13.3 Main Bus Signals on page 13-3).
DBE	IT	Data bus enable. When this input is LOW, the data bus, D[31:0] is put into a high impedance state (Note 1). The drivers will always be high impedance except during write operations, and DBE must be driven HIGH in systems which do not require the data bus for DMA or similar activities.
FCLK	ICK	Fast clock input. When the ARM610 CPU is accessing the cache or performing an internal cycle, it is clocked with the Fast Clock, FCLK .
LOCK	OCZ	Locked operation. LOCK is driven HIGH, to signal a <i>locked</i> memory access sequence, and the memory manager should wait until LOCK goes LOW before allowing another device to access the memory. LOCK changes while MCLK is HIGH and remains HIGH during the locked memory sequence. LOCK is latched by ALE .
MCLK	ICK	Memory clock input. This clock times all ARM610 memory accesses. The LOW or HIGH period of MCLK may be stretched for slow peripherals; alternatively, the nWAIT input may be used with a free-running MCLK to achieve similar effects.

Table 2-1: Signal descriptions

Name	Type	Description
MSE	IT	Memory request/sequential enable. When this input is LOW, the nMREQ and SEQ outputs are put into a high impedance state (Note 1).
nBW	OCZ	Not byte / word. An output signal used by the processor to indicate to the external memory system when a data transfer of a byte length is required. nBW is HIGH for word transfers and LOW for byte transfers, and is valid for both read and write operations. The signal changes while MCLK is HIGH. nBW is latched by ALE .
nFIQ	IT	Not fast interrupt request. If FIQs are enabled, the processor will respond to a LOW level on this input by taking the FIQ interrupt exception. This is an asynchronous, level-sensitive input, and must be held LOW until a suitable response is received from the processor.
nIRQ	IT	Not interrupt request. As nFIQ , but with lower priority. May be taken LOW asynchronously to interrupt the processor when the IRQ enable is active.
nMREQ	OCZ	Not memory request. A pipelined signal that changes while MCLK is LOW to indicate whether or not in the following cycle, the processor will be accessing external memory. When nMREQ is LOW, the processor will be accessing external memory.
nRESET	IT	Not reset. This is a level sensitive input which is used to start the processor from a known address. A LOW level will cause the current instruction to terminate abnormally, and the on-chip cache, MMU, and write buffer to be disabled. When nRESET is driven HIGH, the processor will re-start from address 0. nRESET must remain LOW for at least two full FCLK cycles or five full MCLK cycles whichever is greater. While nRESET is LOW the processor will perform idle cycles with incrementing addresses and nWAIT must be HIGH.
nRW	OCZ	Not read/write. When HIGH this signal indicates a processor write operation; when LOW, a read. The signal changes while MCLK is HIGH. nRW is latched by ALE .
nTRST	IT	Test interface reset. Note this pin does NOT have an internal pullup resistor. This pin must be pulsed or driven LOW to achieve normal device operation, in addition to the normal device reset (nRESET).
nWAIT	IT	Not wait. When LOW this allows extra MCLK cycles to be inserted in memory accesses. It must change during the LOW phase of the MCLK cycle to be extended.
SEQ	OCZ	Sequential address. This signal is the inverse of nMREQ , and is provided for compatibility with existing ARM memory systems.
SnA	IT	This pin should be hard wired HIGH.
TEST IN[16:0]	IT	Test bus input. This bus is used for off-board testing of the device. When the device is fitted to a circuit all these pins must be tied LOW.

Table 2-1: Signal descriptions (continued)

Signal Description

Name	Type	Description
TEST OUT[2:0]	OCZ	Test bus output. This bus is used for off-board testing of the device. When the device is fitted to a circuit and all the TESTIN[16:0] pins are driven LOW, these three outputs will be driven LOW. Note that these pins may not be tristated, except via the JTAG test port.
TCK	IT	Test interface reference Clock. This times all the transfers on the JTAG test interface.
TDI	IT	Test interface data input. Note this pin does NOT have an internal pullup resistor.
TDO	OCZ	Test interface data output. Note this pin does NOT have an internal pullup resistor.
TMS	IT	Test interface mode select. Note this pin does NOT have an internal pullup resistor.
VDD		Positive supply. 16 pins are allocated to VDD in the 160 PQFP package.
VSS		Ground supply. 16 pins are allocated to VSS in the 160 PQFP package.

Table 2-1: Signal descriptions (continued)

Notes

- 1 When output pads are placed in the high impedance state for long periods, take care that they do not float to an undefined logic level, as this can dissipate power, especially in the pads.
- 2 Although the input pads have TTL thresholds, and will correctly interpret a TTL level input, note that unless all inputs are driven to the voltage rails, the input circuits will consume power.



3

Programmer's Model

This chapter describes the programmer's model for the ARM610.

3.1	Introduction	3-2
3.2	Register Configuration	3-2
3.3	Operating Mode Selection	3-3
3.4	Registers	3-3
3.5	Exceptions	3-6
3.6	Reset	3-10

Programmer's Model

3.1 Introduction

ARM610 supports a variety of operating configurations. Some are controlled by register bits and are known as the *register configurations*. Others may be controlled by software and these are known as *operating modes*.

3.2 Register Configuration

The ARM610 processor provides 4 register configurations which may be changed while the processor is running and which are detailed in [Chapter 4, Instruction Set](#).

The bigend bit, in the Control Register, sets whether the ARM610 treats words in memory as being stored in big-endian or little-endian format, see [Chapter 5, Configuration](#). Memory is viewed as a linear collection of bytes numbered upwards from zero. Bytes 0 to 3 hold the first stored word, bytes 4 to 7 the second and so on.

In the little-endian scheme the lowest numbered byte in a word is considered to be the least significant byte of the word and the highest numbered byte is the most significant. Byte 0 of the memory system should be connected to data lines 7 through 0 (**D[7:0]**) in this scheme.

In the big-endian scheme the most significant byte of a word is stored at the lowest numbered byte and the least significant byte is stored at the highest numbered byte. Byte 0 of the memory system should therefore be connected to data lines 31 through 24 (**D[31:24]**).

The lateabt bit in the Control Register, see [Chapter 5, Configuration](#), sets the processor's behaviour when a data abort exception occurs. It only affects the behaviour of load/store register instructions and is discussed more fully in [Chapter 3, Programmer's Model](#) and [Chapter 4, Instruction Set](#).

The other two configuration bits, prog32 and data32 are used for backward compatibility with earlier ARM processors (see appendix A-1) but should normally be set to 1. This configuration extends the address space to 32 bits, introduces major changes in the programmer's model as described below and provides support for running existing 26-bit programs in the 32-bit environment. This mode is recommended for compatibility with future ARM processors and all new code should be written to use only the 32-bit operating modes.

Because the original ARM instruction set has been modified to accommodate 32-bit operation, there are certain additional restrictions which programmers must be aware of. These are indicated in the text by the words shall and shall not. Reference should also be made to the *ARM Application Notes "Rules for ARM Code Writers"* and *"Notes for ARM Code Writers"* available from your supplier.

3.3 Operating Mode Selection

ARM610 has a 32-bit data bus and a 32-bit address bus. The data types the processor supports are Bytes (8 bits) and Words (32 bits), where words must be aligned to four byte boundaries. Instructions are exactly one word, and data operations (e.g. ADD) are only performed on word quantities. Load and store operations can transfer either bytes or words.

ARM610 supports six modes of operation:

- 1 User mode (usr): the normal program execution state
- 2 FIQ mode (fiq): designed to support a data transfer or channel process
- 3 IRQ mode (irq): used for general purpose interrupt handling
- 4 Supervisor mode (svc): a protected mode for the operating system
- 5 Abort mode (abt): entered after a data or instruction prefetch abort
- 6 Undefined mode (und): entered when an undefined instruction is executed

Mode changes may be made under software control or may be brought about by external interrupts or exception processing. Most application programs will execute in User mode. The other modes, known as *privileged modes*, will be entered to service interrupts or exceptions or to access protected resources.

3.4 Registers

The processor has a total of 37 registers made up of 31 general 32-bit registers and 6 status registers. At any one time 16 general registers (R0 to R15) and one or two status registers are visible to the programmer. The visible registers depend on the processor mode and the other registers (the *banked registers*) are switched in to support IRQ, FIQ, Supervisor, Abort and Undefined mode processing. The register bank organisation is shown in [Figure 3-1: Register organisation](#) on page 3-4. The banked registers are shaded in the diagram.

In all modes 16 registers, R0 to R15, are directly accessible. All registers except R15 are general purpose and may be used to hold data or address values. Register R15 holds the Program Counter (PC). When R15 is read, bits [1:0] are zero and bits [31:2] contain the PC. A seventeenth register (the CPSR - Current Program Status Register) is also accessible. It contains condition code flags and the current mode bits and may be thought of as an extension to the PC.

R14 is used as the subroutine link register and receives a copy of R15 when a Branch and Link instruction is executed. It may be treated as a general purpose register at all other times. R14_svc, R14_irq, R14_fiq, R14_abt and R14_und are used similarly to hold the return values of R15 when interrupts and exceptions arise, or when Branch and Link instructions are executed within interrupt or exception routines.

Programmer's Model

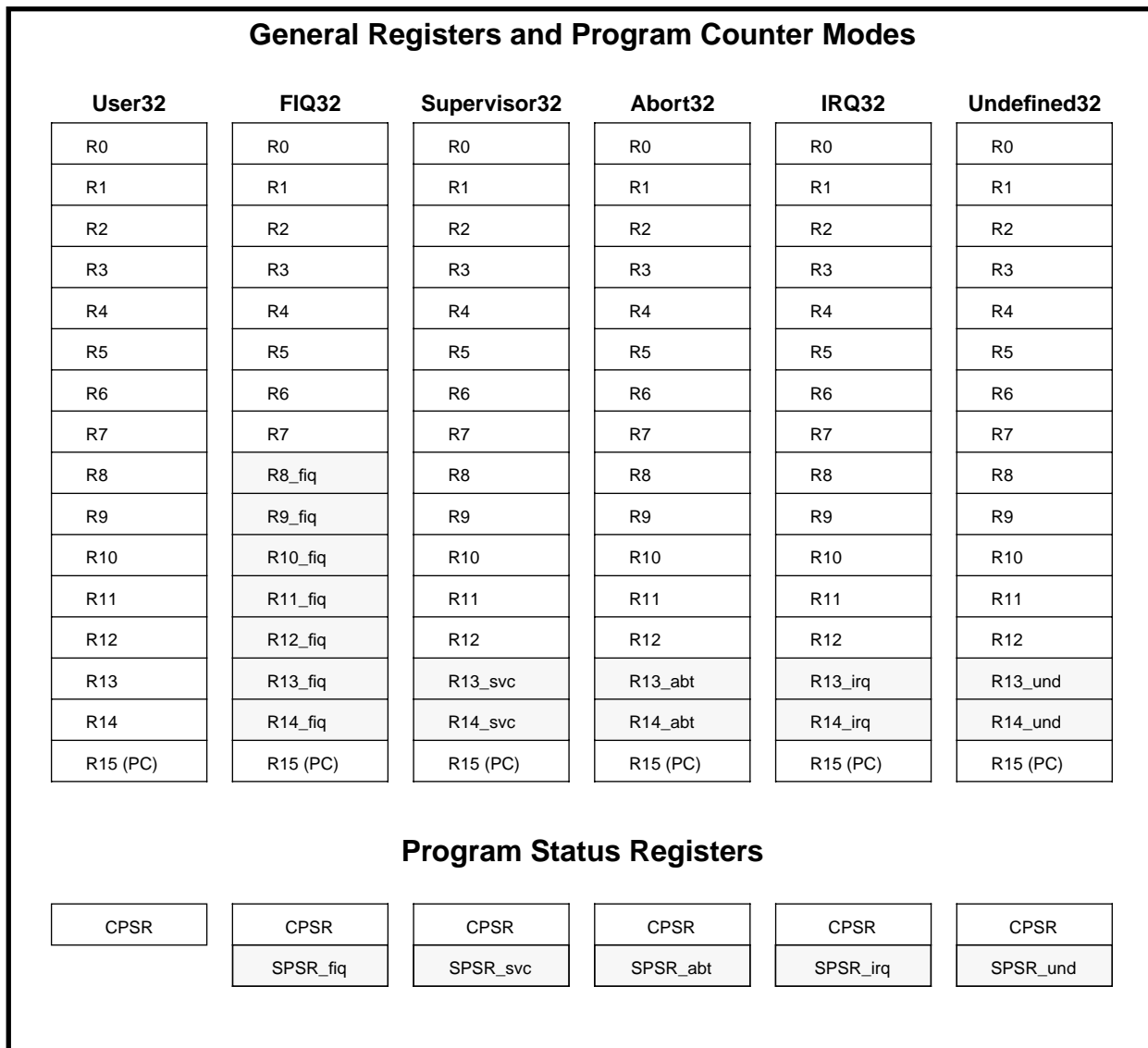


Figure 3-1: Register organisation

FIQ mode has seven banked registers mapped to R8-14 (R8_fiq-R14_fiq). Many FIQ programs will not need to save any registers. User mode, IRQ mode, Supervisor mode, Abort mode and Undefined mode each have two banked registers mapped to R13 and R14. The two banked registers allow these modes to each have a private stack pointer and link register. Supervisor, IRQ, Abort and Undefined mode programs which require more than these two banked registers are expected to save some or all of the caller's registers (R0 to R12) on their respective stacks. They are then free to use these registers which they will restore before returning to the caller. In addition there are also five SPSRs (Saved Program Status Registers) which are loaded with the CPSR when an exception occurs. There is one SPSR for each privileged mode.

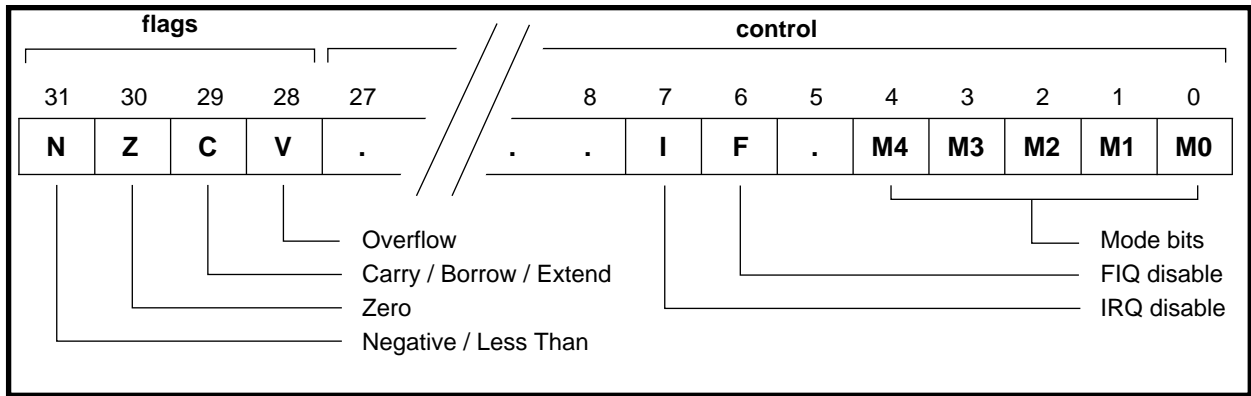


Figure 3-2: Format of the program status registers (PSRs)

The format of the Program Status Registers is shown in [Figure 3-2: Format of the program status registers \(PSRs\)](#). The N, Z, C and V bits are the *condition code flags*. The condition code flags in the CPSR may be changed as a result of arithmetic and logical operations in the processor and may be tested by all instructions to determine if the instruction is to be executed.

The I and F bits are the *interrupt disable bits*. The I bit disables IRQ interrupts when it is set and the F bit disables FIQ interrupts when it is set. The M0, M1, M2, M3 and M4 bits (M[4:0]) are the *mode bits*, and these determine the mode in which the processor operates. The interpretation of the mode bits is shown. Not all combinations of the mode bits define a valid processor mode. Only those explicitly described shall be used.

The bottom 28 bits of a PSR (incorporating I, F and M[4:0]) are known collectively as the *control bits*. The control bits will change when an exception arises and in addition can be manipulated by software when the processor is in a privileged mode. Unused bits in the PSRs are reserved and their state shall be preserved when changing the flag or control bits. Programs shall not rely on specific values from the reserved bits when checking the PSR status, since they may read as one or zero in future processors.

M[4:0]	Mode	Accessible register set	
10000	usr	PC, R14..R0	CPSR
10001	fiq	PC, R14_fiq..R8_fiq, R7..R0	CPSR, SPSR_fiq
10010	irq	PC, R14_irq..R13_irq, R12..R0	CPSR, SPSR_irq
10011	svc	PC, R14_svc..R13_svc, R12..R0	CPSR, SPSR_svc
10111	abt	PC, R14_abt..R13_abt, R12..R0	CPSR, SPSR_abt
11011	und	PC, R14_und..R13_und, R12..R0	CPSR, SPSR_und

Table 3-1: The mode bits

Programmer's Model

3.5 Exceptions

Exceptions arise whenever there is a need for the normal flow of program execution to be broken, so that (for example) the processor can be diverted to handle an interrupt from a peripheral. The processor state just prior to handling the exception must be preserved so that the original program can be resumed when the exception routine has completed. Many exceptions may arise at the same time.

ARM610 handles exceptions by making use of the banked registers to save state. The old PC and CPSR contents are copied into the appropriate R14 and SPSR and the PC and mode bits in the CPSR bits are forced to a value which depends on the exception. Interrupt disable flags are set where required to prevent otherwise unmanageable nestings of exceptions. In the case of a re-entrant interrupt handler, R14 and the SPSR should be saved onto a stack in main memory before re-enabling the interrupt; when transferring the SPSR register to and from a stack, it is important to transfer the whole 32-bit value, and not just the flag or control fields. When multiple exceptions arise simultaneously, a fixed priority determines the order in which they are handled. The priorities are listed later in this chapter.

3.5.1 FIQ

The FIQ (Fast Interrupt reQuest) exception is externally generated by taking the **nFIQ** input LOW. This input can accept asynchronous transitions, and is delayed by one clock cycle for synchronisation before it can affect the processor execution flow. It is designed to support a data transfer or channel process, and has sufficient private registers to remove the need for register saving in such applications (thus minimising the overhead of context switching). The FIQ exception may be disabled by setting the F flag in the CPSR (but note that this is not possible from User mode). If the F flag is clear, ARM610 checks for a LOW level on the output of the FIQ synchroniser at the end of each instruction.

When a FIQ is detected, ARM610 performs the following:

- 1 Saves the address of the next instruction to be executed plus 4 in R14_fiq; saves CPSR in SPSR_fiq
- 2 Forces M[4:0]=10001 (FIQ mode) and sets the F and I bits in the CPSR
- 3 Forces the PC to fetch the next instruction from address 0x1C

To return normally from FIQ, use SUBS PC, R14_fiq,#4 which will restore both the PC (from R14) and the CPSR (from SPSR_fiq) and resume execution of the interrupted code.

3.5.2 IRQ

The IRQ (Interrupt ReQuest) exception is a normal interrupt caused by a LOW level on the **nIRQ** input. It has a lower priority than FIQ, and is masked out when a FIQ sequence is entered. Its effect may be masked out at any time by setting the I bit in the CPSR (but note that this is not possible from User mode). If the I flag is clear, ARM610 checks for a LOW level on the output of the IRQ synchroniser at the end of each instruction.

When an IRQ is detected, ARM610 performs the following:

- 1 Saves the address of the next instruction to be executed plus 4 in R14_irq; saves CPSR in SPSR_irq
- 2 Forces M[4:0]=10010 (IRQ mode) and sets the I bit in the CPSR
- 3 Forces the PC to fetch the next instruction from address 0x18

To return normally from IRQ, use SUBS PC,R14_irq,#4 which will restore both the PC and the CPSR and resume execution of the interrupted code.

3.5.3 Abort

An ABORT can be signalled by either the internal Memory Management Unit or from the external **ABORT** input. ABORT indicates that the current memory access cannot be completed. For instance, in a virtual memory system the data corresponding to the current address may have been moved out of memory onto a disc, and considerable processor activity may be required to recover the data before the access can be performed successfully. ARM610 checks for ABORT during memory access cycles. When successfully aborted ARM610 will respond in one of two ways:

- 1 If the abort occurred during an instruction prefetch (a *Prefetch Abort*), the prefetched instruction is marked as invalid but the abort exception does not occur immediately. If the instruction is not executed, for example as a result of a branch being taken while it is in the pipeline, no abort will occur. An abort will take place if the instruction reaches the head of the pipeline and is about to be executed.
- 2 If the abort occurred during a data access (a *Data Abort*), the action depends on the instruction type.
 - a) Single data transfer instructions (LDR, STR) are aborted as though the instruction had not executed if the processor is configured for Early Abort. When configured for Late Abort, these instructions are able to write back modified base registers and the Abort handler must be aware of this.
 - b) The swap instruction (SWP) is aborted as though it had not executed, though externally the read access may take place.
 - c) Block data transfer instructions (LDM, STM) complete, and if write-back is set, the base is updated. If the instruction would normally have overwritten the base with data (i.e. LDM with the base in the transfer list), this overwriting is prevented. All register overwriting is prevented after the Abort is indicated, which means in particular that R15 (which is always last to be transferred) is preserved in an aborted LDM instruction.

Note that on Data Aborts the ARM610 fault address and fault status registers are updated.

Programmer's Model

When either a prefetch or data abort occurs, ARM610 performs the following:

- 1 Saves the address of the aborted instruction plus 4 (for prefetch aborts) or 8 (for data aborts) in R14_abt; saves CPSR in SPSR_abt.
- 2 Forces M[4:0]=10111 (Abort mode) and sets the I bit in the CPSR.
- 3 Forces the PC to fetch the next instruction from either address 0x0C (prefetch abort) or address 0x10 (data abort).

To return after fixing the reason for the abort, use SUBS PC,R14_abt,#4 (for a prefetch abort) or SUBS PC,R14_abt,#8 (for a data abort). This will restore both the PC and the CPSR and retry the aborted instruction.

The abort mechanism allows a *demand paged virtual memory system* to be implemented when suitable memory management software is available. The processor is allowed to generate arbitrary addresses, and when the data at an address is unavailable the MMU signals an abort. The processor traps into system software which must work out the cause of the abort, make the requested data available, and retry the aborted instruction. The application program needs no knowledge of the amount of memory available to it, nor is its state in any way affected by the abort.

Note that there are restrictions on the use of the external abort pin. See [Chapter 9, Memory Management Unit](#).

3.5.4 Software interrupt

The software interrupt instruction (SWI) is used for getting into Supervisor mode, usually to request a particular supervisor function. When a SWI is executed, ARM610 performs the following:

- 1 Saves the address of the SWI instruction plus 4 in R14_svc; saves CPSR in SPSR_svc
- 2 Forces M[4:0]=10011 (Supervisor mode) and sets the I bit in the CPSR
- 3 Forces the PC to fetch the next instruction from address 0x08

To return from a SWI, use MOVS PC,R14_svc. This will restore the PC and CPSR and return to the instruction following the SWI.

3.5.5 Undefined instruction trap

When the ARM610 comes across an instruction which it cannot handle (see [Chapter 4, Instruction Set](#)), it offers it to any coprocessors which may be present. If a coprocessor can perform this instruction but is busy at that time, ARM610 will wait until the coprocessor is ready or until an interrupt occurs. If no coprocessor can handle the instruction then ARM610 will take the undefined instruction trap.

The trap may be used for software emulation of a coprocessor in a system which does not have the coprocessor hardware, or for general purpose instruction set extension by software emulation.

When ARM610 takes the undefined instruction trap it performs the following:

- 1 Saves the address of the Undefined or coprocessor instruction plus 4 in R14_und; saves CPSR in SPSR_und
- 2 Forces M[4:0]=11011 (Undefined mode) and sets the I bit in the CPSR
- 3 Forces the PC to fetch the next instruction from address 0x04

To return from this trap after emulating the failed instruction, use `MOVS PC,R14_und`. This will restore the CPSR and return to the instruction following the undefined instruction.

3.5.6 Vector summary

Address	Exception	Mode on entry
0x00000000	Reset	Supervisor
0x00000004	Undefined instruction	Undefined
0x00000008	Software interrupt	Supervisor
0x0000000C	Abort (prefetch)	Abort
0x00000010	Abort (data)	Abort
0x00000014	-- reserved --	--
0x00000018	IRQ	IRQ
0x0000001C	FIQ	FIQ

Table 3-2: Vector summary

These are byte addresses, and will normally contain a branch instruction pointing to the relevant routine.

The FIQ routine might reside at 0x1C onwards, and thereby avoid the need for (and execution time of) a branch instruction.

The reserved entry is for an Address Exception vector which is only operative when the processor is configured for a 26-bit program space. See [Chapter A, Backward Compatibility](#).

Programmer's Model

3.5.7 Exception priorities

When multiple exceptions arise at the same time, a fixed priority system determines the order in which they will be handled:

- 1 Reset (highest priority)
- 2 Data abort
- 3 FIQ
- 4 IRQ
- 5 Prefetch abort
- 6 Undefined Instruction, Software interrupt (lowest priority)

Note that not all exceptions can occur at once. Undefined instruction and software interrupt are mutually exclusive since they each correspond to particular (non-overlapping) decodings of the current instruction.

If a data abort occurs at the same time as a FIQ, and FIQs are enabled (i.e. the F flag in the CPSR is clear), ARM610 will enter the data abort handler and then immediately proceed to the FIQ vector. A normal return from FIQ will cause the data abort handler to resume execution. Placing data abort at a higher priority than FIQ is necessary to ensure that the transfer error does not escape detection; the time for this exception entry should be added to worst case FIQ latency calculations.

3.5.8 Interrupt latencies

Calculating the worst case interrupt latency for the ARM610 is quite complex due to the cache, MMU and write buffer and is dependant on the configuration of the whole system. Please see *Application Note - Calculating the ARM610 Interrupt Latency*.

3.6 Reset

When the **nRESET** signal goes LOW, ARM610 abandons the executing instruction and then performs idle cycles from incrementing word addresses. At the end of the reset sequence ARM610 performs either 1 or 2 memory accesses from the address reached before **nRESET** goes HIGH.

When **nRESET** goes HIGH again, ARM610 performs the following:

- 1 Overwrites R14_svc and SPSR_svc by copying the current values of the PC and CPSR into them. The value of the saved PC and CPSR is not defined.
- 2 Forces M[4:0]=10011 (Supervisor mode) and sets the I and F bits in the CPSR.
- 3 Performs either one or two memory accesses from the address output at the end of the reset.
- 4 Forces the PC to fetch the next instruction from address 0x00

At the end of the reset sequence, the MMU is disabled and the TLB is flushed, so forces “flat” translation (i.e. the physical address is the virtual address, and there is no permission checking); alignment faults are also disabled; the cache is disabled and flushed; the write buffer is disabled and flushed; the ARM6 CPU core is put into 26-bit data and address mode, with early abort timing and little-endian mode.

Programmer's Model



4

Instruction Set

This chapter describes the ARM instruction set.

4.1	Instruction Set Summary	4-2
4.2	The Condition Field	4-5
4.3	Branch and Branch with Link (B, BL)	4-7
4.4	Data Processing	4-9
4.5	PSR Transfer (MRS, MSR)	4-17
4.6	Multiply and Multiply-Accumulate (MUL, MLA)	4-22
4.7	Single Data Transfer (LDR, STR)	4-24
4.8	Halfword and Signed Data Transfer	4-30
4.9	Block Data Transfer (LDM, STM)	4-36
4.10	Single Data Swap (SWP)	4-43
4.11	Software Interrupt (SWI)	4-45
4.12	Coprocessor Data Operations (CDP)	4-47
4.13	Coprocessor Data Transfers (LDC, STC)	4-49
4.14	Coprocessor Register Transfers (MRC, MCR)	4-53
4.15	Undefined Instruction	4-55
4.16	Instruction Set Examples	4-56

Instruction Set - Summary

4.1 Instruction Set Summary

4.1.1 Format summary

The ARM instruction set formats are shown below.

31 30 29 28 27 26 25 24 23 22 21 20 19 18 17 16 15 14 13 12 11 10 9 8 7 6 5 4 3 2 1 0																															
Cond	0	0	1	Opcode				S	Rn	Rd	Operand 2											Data Processing / PSR Transfer									
Cond	0	0	0	0	0	0	0	A	S	Rd	Rn	Rs	1	0	0	1	Rm	Multiply													
Cond	0	0	0	1	0	B	0	0	Rn	Rd	0	0	0	0	1	0	0	1	Rm	Single Data Swap											
Cond	0	1	1	P	U	B	W	L	Rn	Rd	Offset											Single Data Transfer									
Cond	0	1	1												1											Undefined					
Cond	1	0	0	P	U	S	W	L	Rn	Register List											Block Data Transfer										
Cond	1	0	1	L	Offset																					Branch					
Cond	1	1	0	P	U	N	W	L	Rn	CRd	CP#	Offset										Coprocessor Data Transfer									
Cond	1	1	1	0	CP Opc				CRn	CRd	CP#	CP	0	CRm							Coprocessor Data Operation										
Cond	1	1	1	0	CP Opc				L	CRn	Rd	CP#	CP	1	CRm							Coprocessor Register Transfer									
Cond	1	1	1	1	Ignored by processor																					Software Interrupt					
31 30 29 28 27 26 25 24 23 22 21 20 19 18 17 16 15 14 13 12 11 10 9 8 7 6 5 4 3 2 1 0																															

Figure 4-1: ARM instruction set formats

Note Some instruction codes are not defined but do not cause the Undefined instruction trap to be taken, for instance a Multiply instruction with bit 6 changed to a 1. These instructions should not be used, as their action may change in future ARM implementations.

4.1.2 Instruction summary

Mnemonic	Instruction	Action	See Section:
ADC	Add with carry	$Rd := Rn + Op2 + Carry$	4.4
ADD	Add	$Rd := Rn + Op2$	4.4
AND	AND	$Rd := Rn \text{ AND } Op2$	4.4
B	Branch	$R15 := \text{address}$	4.3
BIC	Bit Clear	$Rd := Rn \text{ AND NOT } Op2$	4.4
BL	Branch with Link	$R14 := R15, R15 := \text{address}$	4.3
CDP	Coprocessor Data Processing	(Coprocessor-specific)	4.12
CMN	Compare Negative	$CPSR \text{ flags} := Rn + Op2$	4.4
CMP	Compare	$CPSR \text{ flags} := Rn - Op2$	4.4
EOR	Exclusive OR	$Rd := (Rn \text{ AND NOT } Op2) \text{ OR } (Op2 \text{ AND NOT } Rn)$	4.4
LDC	Load coprocessor from memory	Coprocessor load	4.13
LDM	Load multiple registers	Stack manipulation (Pop)	4.9
LDR	Load register from memory	$Rd := (\text{address})$	4.7, 4.8
MCR	Move CPU register to coprocessor register	$cRn := rRn \{<op>cRm\}$	4.14
MLA	Multiply Accumulate	$Rd := (Rm * Rs) + Rn$	4.6
MOV	Move register or constant	$Rd := Op2$	4.4
MRC	Move from coprocessor register to CPU register	$Rn := cRn \{<op>cRm\}$	4.14
MRS	Move PSR status/flags to register	$Rn := PSR$	4.5
MSR	Move register to PSR status/flags	$PSR := Rm$	4.5
MUL	Multiply	$Rd := Rm * Rs$	4.6
MVN	Move negative register	$Rd := 0xFFFFFFFF \text{ EOR } Op2$	4.4
ORR	OR	$Rd := Rn \text{ OR } Op2$	4.4
RSB	Reverse Subtract	$Rd := Op2 - Rn$	4.4

Table 4-1: The ARM Instruction set

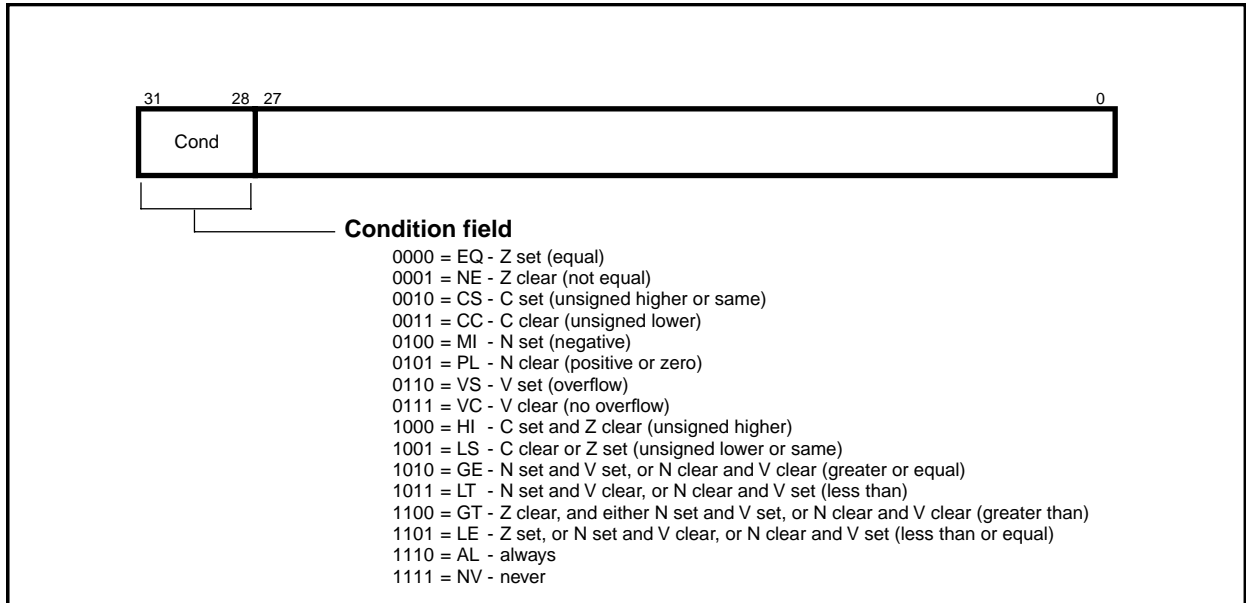
Instruction Set - Summary

Mnemonic	Instruction	Action	See Section:
RSC	Reverse Subtract with Carry	$Rd := Op2 - Rn - 1 + Carry$	4.4
SBC	Subtract with Carry	$Rd := Rn - Op2 - 1 + Carry$	4.4
STC	Store coprocessor register to memory	address := CRn	4.13
STM	Store Multiple	Stack manipulation (Push)	4.9
STR	Store register to memory	<address> := Rd	4.7, 4.8
SUB	Subtract	$Rd := Rn - Op2$	4.4
SWI	Software Interrupt	OS call	4.11
SWP	Swap register with memory	$Rd := [Rn], [Rn] := Rm$	4.10
TEQ	Test bitwise equality	CPSR flags := Rn EOR Op2	4.4
TST	Test bits	CPSR flags := Rn AND Op2	4.4

Table 4-1: The ARM Instruction set (Continued)

4.2 The Condition Field

In ARM state, all instructions are conditionally executed according to the state of the CPSR condition codes and the instruction's condition field. This field (bits 31:28) determines the circumstances under which an instruction is to be executed.



If the state of the C, N, Z and V flags fulfils the conditions encoded by the field, the instruction is executed, otherwise it is ignored.

There are 16 possible conditions, each represented by a two-character suffix that can be appended to the instruction's mnemonic. For example, a Branch (B in assembly language) becomes BEQ for "Branch if Equal", which means the Branch will only be taken if the Z flag is set.

In practice, 15 different conditions may be used: these are listed in [Table 4-2: Condition code summary](#). The sixteenth (1111) is reserved, and must not be used.

In the absence of a suffix, the condition field of most instructions is set to "Always" (suffix AL). This means the instruction will always be executed regardless of the CPSR condition codes.

Instruction Set - Condition Field

Code	Suffix	Flags	Meaning
0000	EQ	Z set	equal
0001	NE	Z clear	not equal
0010	CS	C set	unsigned higher or same
0011	CC	C clear	unsigned lower
0100	MI	N set	negative
0101	PL	N clear	positive or zero
0110	VS	V set	overflow
0111	VC	V clear	no overflow
1000	HI	C set and Z clear	unsigned higher
1001	LS	C clear or Z set	unsigned lower or same
1010	GE	N equals V	greater or equal
1011	LT	N not equal to V	less than
1100	GT	Z clear AND (N equals V)	greater than
1101	LE	Z set OR (N not equal to V)	less than or equal
1110	AL	(ignored)	always

Table 4-2: Condition code summary

4.3 Branch and Branch with Link (B, BL)

The instruction is only executed if the condition is true. The various conditions are defined in Table 4-2: *Condition code summary* on page 4-6. The instruction encoding is shown in Figure 4-2: *Branch instructions*, below.

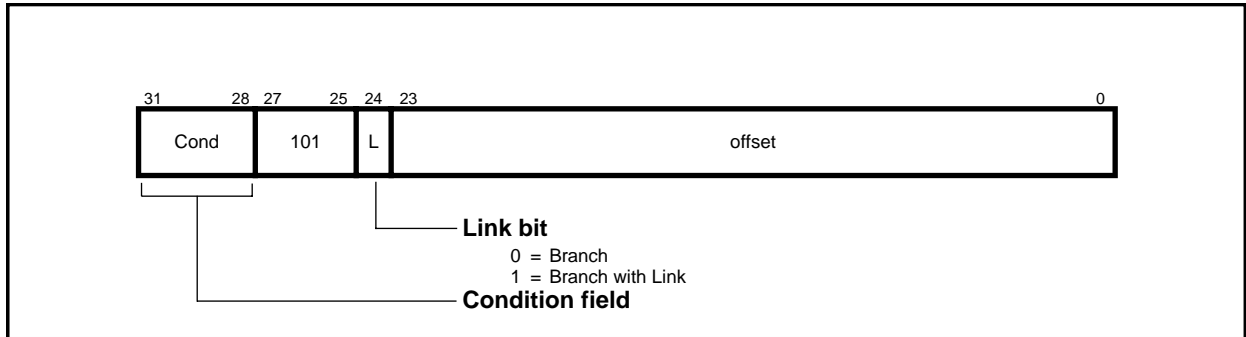


Figure 4-2: Branch instructions

Branch instructions contain a signed two's complement 24-bit offset. This is shifted left two bits, sign extended to 32 bits, and added to the PC. The instruction can therefore specify a branch of +/- 32Mbytes. The branch offset must take account of the prefetch operation, which causes the PC to be 2 words (8 bytes) ahead of the current instruction.

Branches beyond +/- 32Mbytes must use an offset or absolute destination which has been previously loaded into a register. In this case the PC should be manually saved in R14 if a Branch with Link type operation is required.

4.3.1 The link bit

Branch with Link (BL) writes the old PC into the link register (R14) of the current bank. The PC value written into R14 is adjusted to allow for the prefetch, and contains the address of the instruction following the branch and link instruction. Note that the CPSR is not saved with the PC and R14[1:0] are always cleared.

To return from a routine called by Branch with Link use MOV PC,R14 if the link register is still valid or LDM Rn!,{..PC} if the link register has been saved onto a stack pointed to by Rn.

Instruction Set - B, BL

4.3.2 Assembler syntax

Items in {} are optional. Items in <> must be present.

B{L}{cond} <expression>

{L} is used to request the Branch with Link form of the instruction. If absent, R14 will not be affected by the instruction.

{cond} is a two-character mnemonic as shown in [Table 4-2: Condition code summary](#) on page 4-6. If absent then AL (ALways) will be used.

<expression> is the destination. The assembler calculates the offset.

4.3.3 Examples

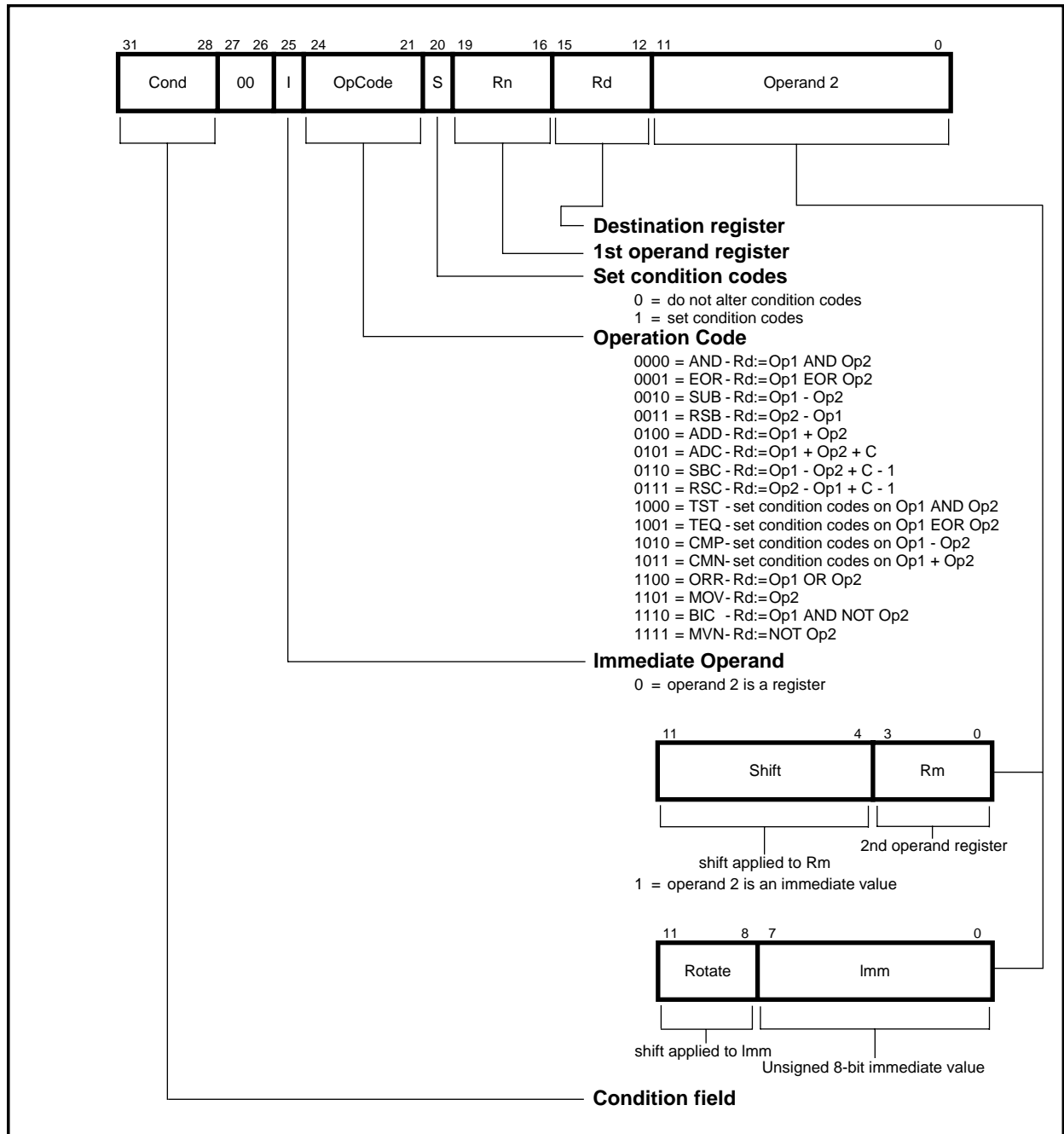
```
here BAL here ; assembles to 0xEAFFFFFEE (note effect of
; PC offset).
B there ; Always condition used as default.
CMP R1,#0 ; Compare R1 with zero and branch to fred
; if R1 was zero, otherwise continue
BEQ fred ; continue to next instruction.

BL sub+ROM ; Call subroutine at computed address.
ADDS R1,#1 ; Add 1 to register 1, setting CPSR flags
; on the result then call subroutine if
BLCC sub ; the C flag is clear, which will be the
; case unless R1 held 0xFFFFFFFF.
```

4.4 Data Processing

The data processing instruction is only executed if the condition is true. The conditions are defined in **Table 4-2: Condition code summary** on page 4-6.

The instruction encoding is shown in **Figure 4-3: Data processing instructions** below.



Instruction Set - Data processing

Figure 4-3: Data processing instructions

The instruction produces a result by performing a specified arithmetic or logical operation on one or two operands. The first operand is always a register (Rn).

The second operand may be a shifted register (Rm) or a rotated 8-bit immediate value (Imm) according to the value of the I bit in the instruction. The condition codes in the CPSR may be preserved or updated as a result of this instruction, according to the value of the S bit in the instruction.

Certain operations (TST, TEQ, CMP, CMN) do not write the result to Rd. They are used only to perform tests and to set the condition codes on the result and always have the S bit set. The instructions and their effects are listed in [Table 4-3: ARM Data processing instructions](#) on page 4-10.

4.4.1 CPSR flags

The data processing operations may be classified as *logical* or *arithmetic*.

Logical operations

The logical operations (AND, EOR, TST, TEQ, ORR, MOV, BIC, MVN) perform the logical action on all corresponding bits of the operand or operands to produce the result. If the S bit is set (and Rd is not R15, see below) the V flag in the CPSR will be unaffected, the C flag will be set to the carry out from the barrel shifter (or preserved when the shift operation is LSL #0), the Z flag will be set if and only if the result is all zeros, and the N flag will be set to the logical value of bit 31 of the result.

Assembler Mnemonic	OpCode	Action
AND	0000	operand1 AND operand2
EOR	0001	operand1 EOR operand2
SUB	0010	operand1 - operand2
RSB	0011	operand2 - operand1
ADD	0100	operand1 + operand2
ADC	0101	operand1 + operand2 + carry
SBC	0110	operand1 - operand2 + carry - 1
RSC	0111	operand2 - operand1 + carry - 1
TST	1000	as AND, but result is not written
TEQ	1001	as EOR, but result is not written
CMP	1010	as SUB, but result is not written
CMN	1011	as ADD, but result is not written
ORR	1100	operand1 OR operand2

Table 4-3: ARM Data processing instructions

Assembler Mnemonic	OpCode	Action
MOV	1101	operand2 (operand1 is ignored)
BIC	1110	operand1 AND NOT operand2 (Bit clear)
MVN	1111	NOT operand2 (operand1 is ignored)

Table 4-3: ARM Data processing instructions

Arithmetic operations

The arithmetic operations (SUB, RSB, ADD, ADC, SBC, RSC, CMP, CMN) treat each operand as a 32-bit integer (either unsigned or two's complement signed, the two are equivalent). If the S bit is set (and Rd is not R15) the V flag in the CPSR will be set if an overflow occurs into bit 31 of the result; this may be ignored if the operands were considered unsigned, but warns of a possible error if the operands were two's complement signed. The C flag will be set to the carry out of bit 31 of the ALU, the Z flag will be set if and only if the result was zero, and the N flag will be set to the value of bit 31 of the result (indicating a negative result if the operands are considered to be two's complement signed).

4.4.2 Shifts

When the second operand is specified to be a shifted register, the operation of the barrel shifter is controlled by the Shift field in the instruction. This field indicates the type of shift to be performed (logical left or right, arithmetic right or rotate right). The amount by which the register should be shifted may be contained in an immediate field in the instruction, or in the bottom byte of another register (other than R15). The encoding for the different shift types is shown in **Figure 4-4: ARM shift operations**.

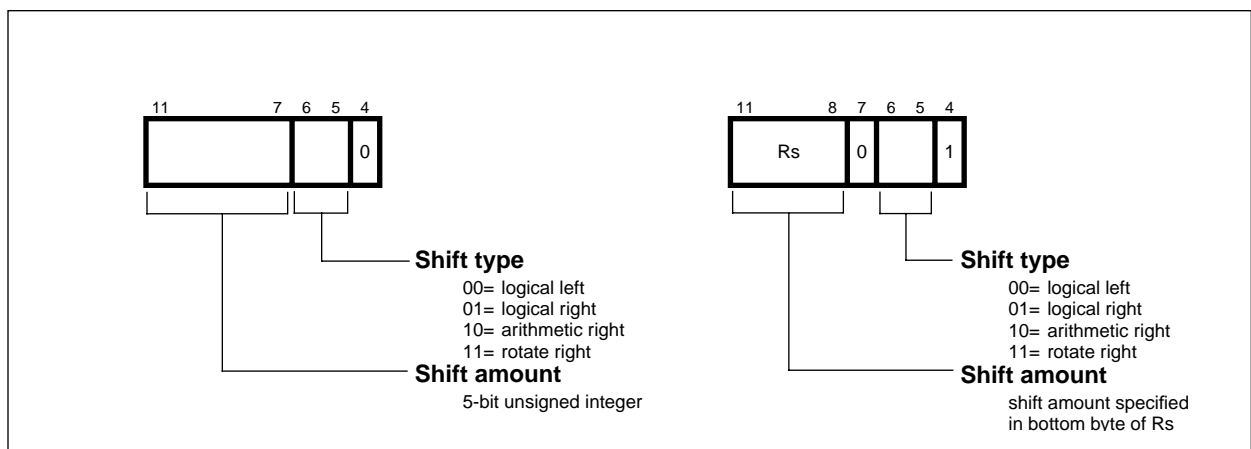


Figure 4-4: ARM shift operations

Instruction Set - Shifts

Instruction specified shift amount

When the shift amount is specified in the instruction, it is contained in a 5-bit field which may take any value from 0 to 31. A logical shift left (LSL) takes the contents of R_m and moves each bit by the specified amount to a more significant position. The least significant bits of the result are filled with zeros, and the high bits of R_m which do not map into the result are discarded, except that the least significant discarded bit becomes the shifter carry output which may be latched into the C bit of the CPSR when the ALU operation is in the logical class (see above). For example, the effect of LSL #5 is shown in **Figure 4-5: Logical shift left**.

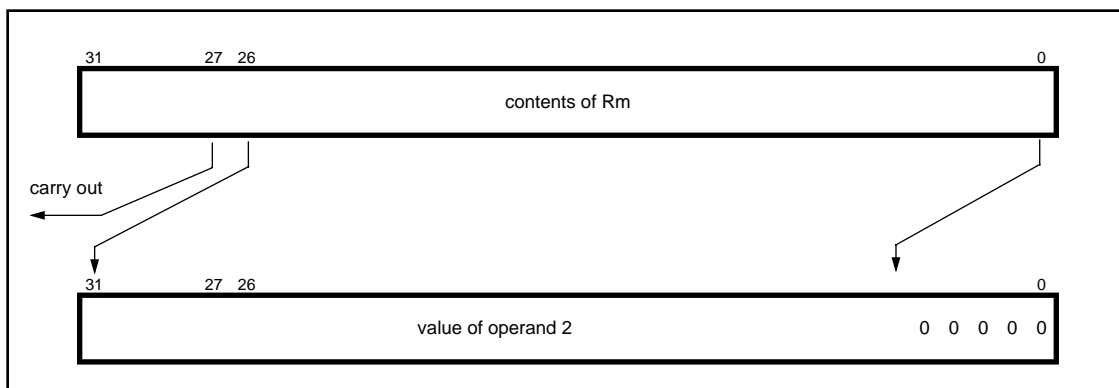


Figure 4-5: Logical shift left

Note LSL #0 is a special case, where the shifter carry out is the old value of the CPSR C flag. The contents of R_m are used directly as the second operand.

A logical shift right (LSR) is similar, but the contents of R_m are moved to less significant positions in the result. LSR #5 has the effect shown in **Figure 4-6: Logical shift right**.

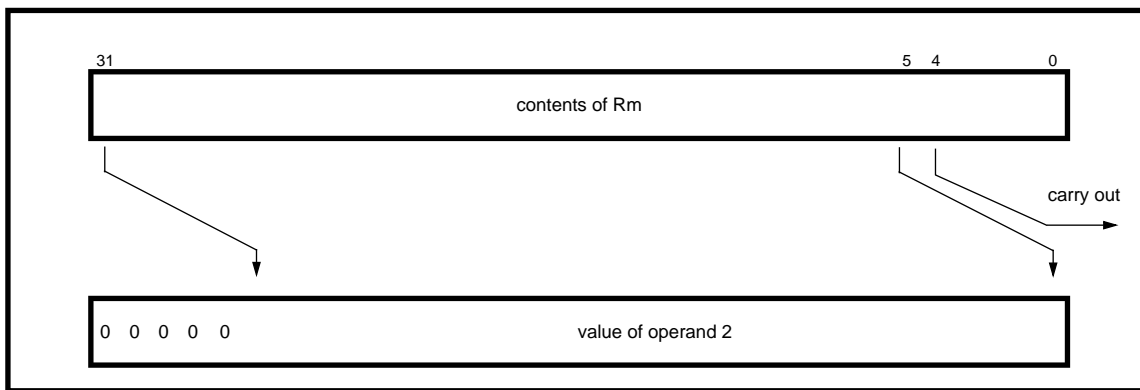


Figure 4-6: Logical shift right

The form of the shift field which might be expected to correspond to LSR #0 is used to encode LSR #32, which has a zero result with bit 31 of Rm as the carry output. Logical shift right zero is redundant as it is the same as logical shift left zero, so the assembler will convert LSR #0 (and ASR #0 and ROR #0) into LSL #0, and allow LSR #32 to be specified.

An arithmetic shift right (ASR) is similar to logical shift right, except that the high bits are filled with bit 31 of Rm instead of zeros. This preserves the sign in two's complement notation. For example, ASR #5 is shown in [Figure 4-7: Arithmetic shift right](#).

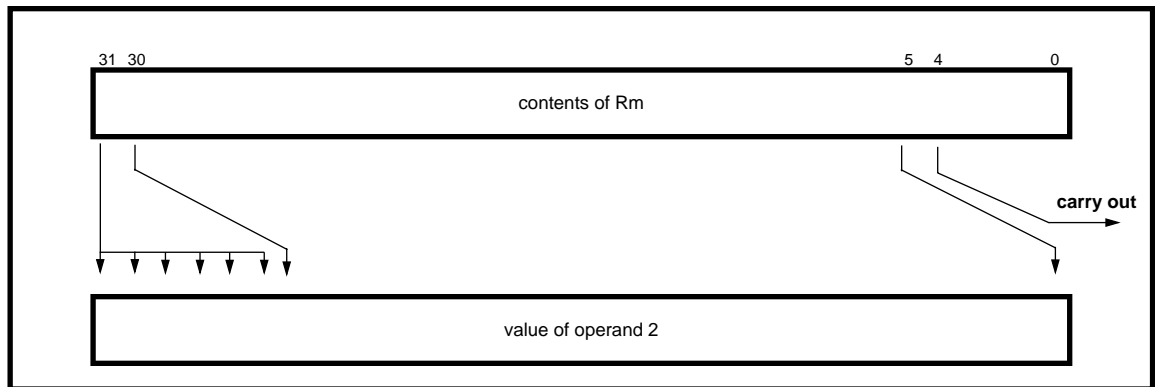


Figure 4-7: Arithmetic shift right

The form of the shift field which might be expected to give ASR #0 is used to encode ASR #32. Bit 31 of Rm is again used as the carry output, and each bit of operand 2 is also equal to bit 31 of Rm. The result is therefore all ones or all zeros, according to the value of bit 31 of Rm.

Rotate right (ROR) operations reuse the bits which “overshoot” in a logical shift right operation by reintroducing them at the high end of the result, in place of the zeros used to fill the high end in logical right operations. For example, ROR #5 is shown in [Figure 4-8: Rotate right](#) on page 4-13.

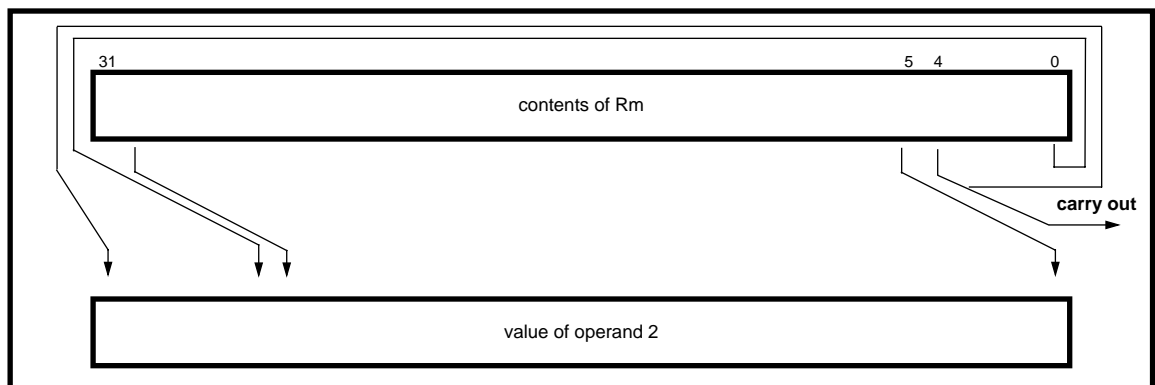


Figure 4-8: Rotate right

Instruction Set - Shifts

The form of the shift field which might be expected to give ROR #0 is used to encode a special function of the barrel shifter, rotate right extended (RRX). This is a rotate right by one bit position of the 33-bit quantity formed by appending the CPSR C flag to the most significant end of the contents of Rm as shown in [Figure 4-9: Rotate right extended](#).

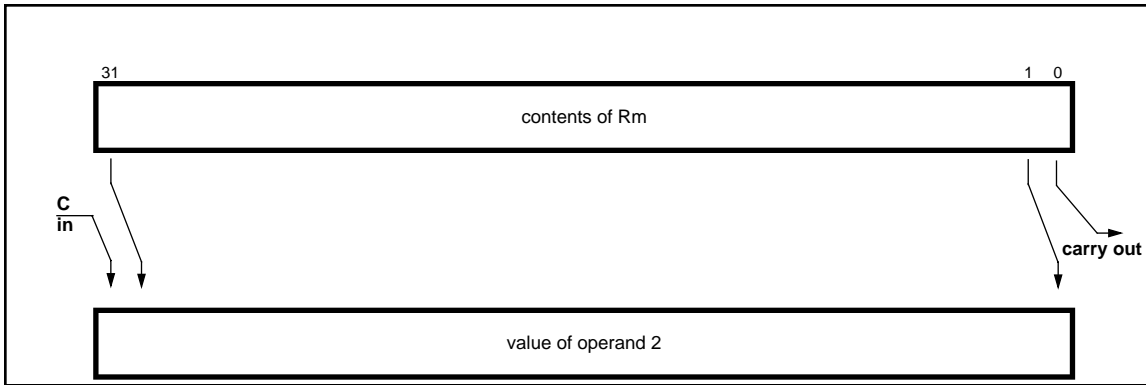


Figure 4-9: Rotate right extended

Register specified shift amount

Only the least significant byte of the contents of Rs is used to determine the shift amount. Rs can be any general register other than R15.

If this byte is zero, the unchanged contents of Rm will be used as the second operand, and the old value of the CPSR C flag will be passed on as the shifter carry output.

If the byte has a value between 1 and 31, the shifted result will exactly match that of an instruction specified shift with the same value and shift operation.

If the value in the byte is 32 or more, the result will be a logical extension of the shift described above:

- 1 LSL by 32 has result zero, carry out equal to bit 0 of Rm.
- 2 LSL by more than 32 has result zero, carry out zero.
- 3 LSR by 32 has result zero, carry out equal to bit 31 of Rm.
- 4 LSR by more than 32 has result zero, carry out zero.
- 5 ASR by 32 or more has result filled with and carry out equal to bit 31 of Rm.
- 6 ROR by 32 has result equal to Rm, carry out equal to bit 31 of Rm.
- 7 ROR by n where n is greater than 32 will give the same result and carry out as ROR by n-32; therefore repeatedly subtract 32 from n until the amount is in the range 1 to 32 and see above.

Note *The zero in bit 7 of an instruction with a register controlled shift is compulsory; a one in this bit will cause the instruction to be a multiply or undefined instruction.*

4.4.3 Immediate operand rotates

The immediate operand rotate field is a 4-bit unsigned integer which specifies a shift operation on the 8-bit immediate value. This value is zero extended to 32 bits, and then subject to a rotate right by twice the value in the rotate field. This enables many common constants to be generated, for example all powers of 2.

4.4.4 Writing to R15

When Rd is a register other than R15, the condition code flags in the CPSR may be updated from the ALU flags as described above.

When Rd is R15 and the S flag in the instruction is not set the result of the operation is placed in R15 and the CPSR is unaffected.

When Rd is R15 and the S flag is set the result of the operation is placed in R15 and the SPSR corresponding to the current mode is moved to the CPSR. This allows state changes which atomically restore both PC and CPSR. This form of instruction should not be used in User mode.

4.4.5 Using R15 as an operand

If R15 (the PC) is used as an operand in a data processing instruction the register is used directly.

The PC value will be the address of the instruction, plus 8 or 12 bytes due to instruction prefetching. If the shift amount is specified in the instruction, the PC will be 8 bytes ahead. If a register is used to specify the shift amount the PC will be 12 bytes ahead.

4.4.6 TEQ, TST, CMP and CMN opcodes

Note *TEQ, TST, CMP and CMN do not write the result of their operation but do set flags in the CPSR. An assembler should always set the S flag for these instructions even if this is not specified in the mnemonic.*

The TEQP form of the TEQ instruction used in earlier ARM processors must not be used: the PSR transfer operations should be used instead.

The action of TEQP in the ARM610 is to move SPSR_<mode> to the CPSR if the processor is in a privileged mode and to do nothing if in User mode.

4.4.7 Assembler syntax

- 1 MOV,MVN (single operand instructions.)
`<opcode> {cond} {S} Rd, <Op2>`
- 2 CMP,CMN,TEQ,TST (instructions which do not produce a result.)
`<opcode> {cond} Rn, <Op2>`
- 3 AND,EOR,SUB,RSB,ADD,ADC,SBC,RSC,ORR,BIC
`<opcode> {cond} {S} Rd, Rn, <Op2>`

Instruction Set - TEQ, TST, CMP, CMN

where:

<Op2>	is Rm{,<shift>} or,<#expression>
{cond}	is a two-character condition mnemonic. See Table 4-2: Condition code summary on page 4-6.
{S}	set condition codes if S present (implied for CMP, CMN, TEQ, TST).
Rd, Rn and Rm	are expressions evaluating to a register number.
<#expression>	if this is used, the assembler will attempt to generate a shifted immediate 8-bit field to match the expression. If this is impossible, it will give an error.
<shift>	is <shiftname> <register> or <shiftname> #expression, or RRX (rotate right one bit with extend).
<shiftname>s	are: ASL, LSL, LSR, ASR, ROR. (ASL is a synonym for LSL, they assemble to the same code.)

4.4.8 Examples

```
ADDEQ R2,R4,R5      ; If the Z flag is set make R2:=R4+R5
TEQS  R4,#3         ; test R4 for equality with 3.
                   ; (The S is in fact redundant as the
                   ; assembler inserts it automatically.)
SUB   R4,R5,R7,LSR R2; Logical right shift R7 by the number in
                   ; the bottom byte of R2, subtract result
                   ; from R5, and put the answer into R4.
MOV   PC,R14       ; Return from subroutine.
MOVS  PC,R14       ; Return from exception and restore CPSR
                   ; from SPSR_mode.
```

4.5 PSR Transfer (MRS, MSR)

The instruction is only executed if the condition is true. The various conditions are defined in [Table 4-2: Condition code summary](#) on page 4-6.

The MRS and MSR instructions are formed from a subset of the Data Processing operations and are implemented using the TEQ, TST, CMN and CMP instructions without the S flag set. The encoding is shown in [Figure 4-10: PSR transfer](#) on page 4-18.

These instructions allow access to the CPSR and SPSR registers. The MRS instruction allows the contents of the CPSR or SPSR_<mode> to be moved to a general register. The MSR instruction allows the contents of a general register to be moved to the CPSR or SPSR_<mode> register.

The MSR instruction also allows an immediate value or register contents to be transferred to the condition code flags (N,Z,C and V) of CPSR or SPSR_<mode> without affecting the control bits. In this case, the top four bits of the specified register contents or 32-bit immediate value are written to the top four bits of the relevant PSR.

4.5.1 Operand restrictions

- In User mode, the control bits of the CPSR are protected from change, so only the condition code flags of the CPSR can be changed. In other (privileged) modes the entire CPSR can be changed.
Note that the software must never change the state of the T bit in the CPSR. If this happens, the processor will enter an unpredictable state.
- The SPSR register which is accessed depends on the mode at the time of execution. For example, only SPSR_fiq is accessible when the processor is in FIQ mode.
- You must not specify R15 as the source or destination register.
- Also, do not attempt to access an SPSR in User mode, since no such register exists.

Instruction Set - MRS, MSR

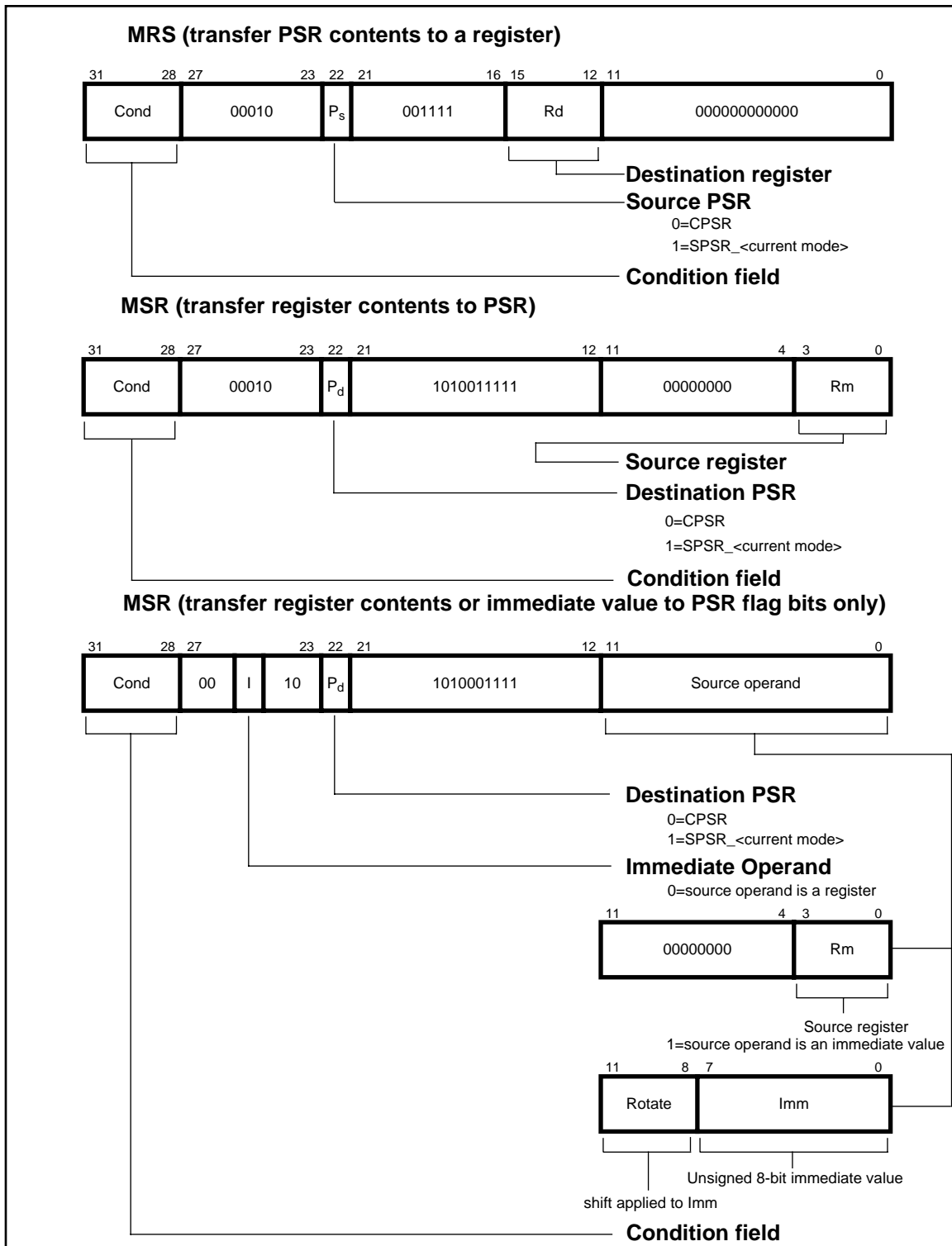


Figure 4-10: PSR transfer

4.5.2 Reserved bits

Only twelve bits of the PSR are defined in ARM610 (N,Z,C,V,I,F, T & M[4:0]); the remaining bits are reserved for use in future versions of the processor. Refer to [Figure 3-6: Program status register format](#) on page 3-8 for a full description of the PSR bits.

To ensure the maximum compatibility between ARM610 programs and future processors, the following rules should be observed:

- The reserved bits should be preserved when changing the value in a PSR.
- Programs should not rely on specific values from the reserved bits when checking the PSR status, since they may read as one or zero in future processors.

A read-modify-write strategy should therefore be used when altering the control bits of any PSR register; this involves transferring the appropriate PSR register to a general register using the MRS instruction, changing only the relevant bits and then transferring the modified value back to the PSR register using the MSR instruction.

Example

The following sequence performs a mode change:

```
MRS    R0,CPSR                ; Take a copy of the CPSR.
BIC    R0,R0,#0x1F            ; Clear the mode bits.
ORR    R0,R0,#new_mode        ; Select new mode
MSR    CPSR,R0                ; Write back the modified
                                ; CPSR.
```

When the aim is simply to change the condition code flags in a PSR, a value can be written directly to the flag bits without disturbing the control bits. The following instruction sets the N,Z,C and V flags:

```
MSR    CPSR_flg,#0xF0000000    ; Set all the flags
                                ; regardless of their
                                ; previous state (does not
                                ; affect any control bits).
```

No attempt should be made to write an 8-bit immediate value into the whole PSR since such an operation cannot preserve the reserved bits.

Instruction Set - MRS, MSR

4.5.3 Assembler syntax

- 1 MRS - transfer PSR contents to a register

`MRS{cond} Rd, <psr>`

- 2 MSR - transfer register contents to PSR

`MSR{cond} <psr>, Rm`

- 3 MSR - transfer register contents to PSR flag bits only

`MSR{cond} <psrf>, Rm`

The most significant four bits of the register contents are written to the N,Z,C & V flags respectively.

- 4 MSR - transfer immediate value to PSR flag bits only

`MSR{cond} <psrf>, <#expression>`

The expression should symbolise a 32-bit value of which the most significant four bits are written to the N,Z,C and V flags respectively.

Key

<code>{cond}</code>	two-character condition mnemonic. See Table 4-2: Condition code summary on page 4-6.
<code>Rd</code> and <code>Rm</code>	are expressions evaluating to a register number other than R15
<code><psr></code>	is CPSR, CPSR_all, SPSR or SPSR_all. (CPSR and CPSR_all are synonyms as are SPSR and SPSR_all)
<code><psrf></code>	is CPSR_flg or SPSR_flg
<code><#expression></code>	where this is used, the assembler will attempt to generate a shifted immediate 8-bit field to match the expression. If this is impossible, it will give an error.

4.5.4 Examples

In User mode the instructions behave as follows:

```
MSR  CPSR_all,Rm           ; CPSR[31:28] <- Rm[31:28]
MSR  CPSR_flg,Rm          ; CPSR[31:28] <- Rm[31:28]
MSR  CPSR_flg,#0xA0000000 ; CPSR[31:28] <- 0xA
                                     ;(set N,C; clear Z,V)
MRS  Rd,CPSR              ; Rd[31:0] <- CPSR[31:0]
```

In privileged modes the instructions behave as follows:

```
MSR  CPSR_all,Rm           ; CPSR[31:0] <- Rm[31:0]
MSR  CPSR_flg,Rm          ; CPSR[31:28] <- Rm[31:28]
MSR  CPSR_flg,#0x50000000 ; CPSR[31:28] <- 0x5
                                     ;(set Z,V; clear N,C)
MRS  Rd,CPSR              ; Rd[31:0] <- CPSR[31:0]
MSR  SPSR_all,Rm          ; SPSR_<mode>[31:0] <- Rm[31:0]
MSR  SPSR_flg,Rm         ; SPSR_<mode>[31:28] <- Rm[31:28]
MSR  SPSR_flg,#0xC0000000 ; SPSR_<mode>[31:28] <- 0xC
                                     ;(set N,Z; clear C,V)
MRS  Rd,SPSR             ; Rd[31:0] <- SPSR_<mode>[31:0]
```

4.6 Multiply and Multiply-Accumulate (MUL, MLA)

The instruction is only executed if the condition is true. The various conditions are defined in [Table 4-2: Condition code summary](#) on page 4-6. The instruction encoding is shown in [Figure 4-11: Multiply instructions](#).

The multiply and multiply-accumulate instructions use an 8-bit Booth's algorithm to perform integer multiplication.

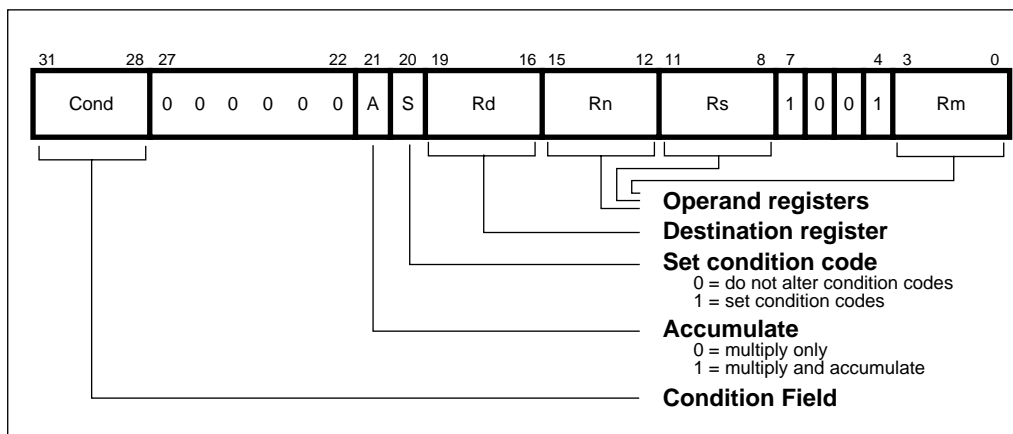


Figure 4-11: Multiply instructions

The multiply form of the instruction gives $Rd:=Rm*Rs$. Rn is ignored, and should be set to zero for compatibility with possible future upgrades to the instruction set.

The multiply-accumulate form gives $Rd:=Rm*Rs+Rn$, which can save an explicit ADD instruction in some circumstances.

Both forms of the instruction work on operands which may be considered as signed (two's complement) or unsigned integers.

The results of a signed multiply and of an unsigned multiply of 32-bit operands differ only in the upper 32 bits - the low 32 bits of the signed and unsigned results are identical. As these instructions only produce the low 32 bits of a multiply, they can be used for both signed and unsigned multiplies.

For example consider the multiplication of the operands:

Operand A	Operand B	Result
0xFFFFFFFF6	0x0000001	0xFFFFFFFF38

If the operands are interpreted as signed

Operand A has the value -10, operand B has the value 20, and the result is -200 which is correctly represented as 0xFFFFFFFF38

If the operands are interpreted as unsigned

Operand A has the value 4294967286, operand B has the value 20 and the result is 85899345720, which is represented as 0x13FFFFFF38, so the least significant 32 bits are 0xFFFFFFFF38.

4.6.1 Operand restrictions

The destination register Rd must not be the same as the operand register Rm. R15 must not be used as an operand or as the destination register.

All other register combinations will give correct results, and Rd, Rn and Rs may use the same register when required.

4.6.2 CPSR flags

Setting the CPSR flags is optional, and is controlled by the S bit in the instruction. The N (Negative) and Z (Zero) flags are set correctly on the result (N is made equal to bit 31 of the result, and Z is set if and only if the result is zero). The C (Carry) flag is set to a meaningless value and the V (oVerflow) flag is unaffected.

4.6.3 Assembler syntax

`MUL{cond}{S} Rd, Rm, Rs`

`MLA{cond}{S} Rd, Rm, Rs, Rn`

`{cond}` two-character condition mnemonic. See [Table 4-2: Condition code summary](#) on page 4-6.

`{S}` set condition codes if S present

`Rd, Rm, Rs and Rn` are expressions evaluating to a register number other than R15.

4.6.4 Examples

```
MUL      R1, R2, R3      ; R1:=R2*R3
MLAEQS   R1, R2, R3, R4 ; Conditionally R1:=R2*R3+R4,
                        ; setting condition codes.
```

Instruction Set - LDR, STR

4.7 Single Data Transfer (LDR, STR)

The instruction is only executed if the condition is true. The various conditions are defined in [Table 4-2: Condition code summary](#) on page 4-6. The instruction encoding is shown in [Figure 4-12: Single data transfer instructions](#) on page 4-24.

The single data transfer instructions are used to load or store single bytes or words of data. The memory address used in the transfer is calculated by adding an offset to or subtracting an offset from a base register.

The result of this calculation may be written back into the base register if auto-indexing is required.

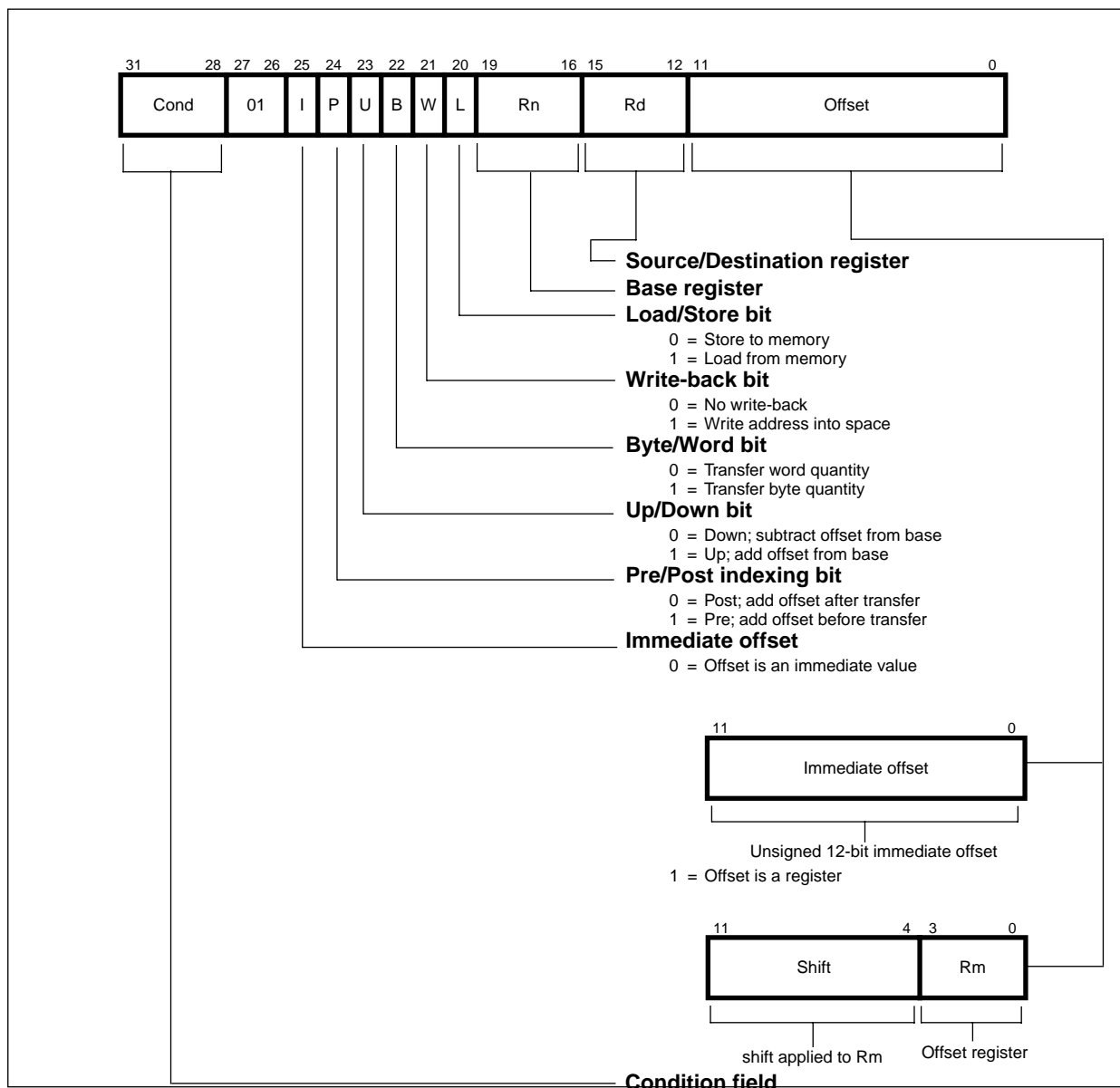


Figure 4-12: Single data transfer instructions

4.7.1 Offsets and auto-indexing

The offset from the base may be either a 12-bit unsigned binary immediate value in the instruction, or a second register (possibly shifted in some way). The offset may be added to (U=1) or subtracted from (U=0) the base register Rn. The offset modification may be performed either before (pre-indexed, P=1) or after (post-indexed, P=0) the base is used as the transfer address.

The W bit gives optional auto increment and decrement addressing modes. The modified base value may be written back into the base (W=1), or the old base value may be kept (W=0). In the case of post-indexed addressing, the write back bit is redundant and is always set to zero, since the old base value can be retained by setting the offset to zero. Therefore post-indexed data transfers always write back the modified base. The only use of the W bit in a post-indexed data transfer is in privileged mode code, where setting the W bit forces non-privileged mode for the transfer, allowing the operating system to generate a user address in a system where the memory management hardware makes suitable use of this hardware.

4.7.2 Shifted register offset

The 8 shift control bits are described in the data processing instructions section. However, the register specified shift amounts are not available in this instruction class. See [4.4.2 Shifts](#) on page 4-11.

4.7.3 Bytes and words

This instruction class may be used to transfer a byte (B=1) or a word (B=0) between an ARM610 register and memory.

The action of LDR(B) and STR(B) instructions is influenced by the **BIGEND** control signal. The two possible configurations are described below.

Little-endian configuration

A byte load (LDRB) expects the data on data bus inputs 7 through 0 if the supplied address is on a word boundary, on data bus inputs 15 through 8 if it is a word address plus one byte, and so on. The selected byte is placed in the bottom 8 bits of the destination register, and the remaining bits of the register are filled with zeros. Please see [Figure 3-2: Little endian addresses of bytes within words](#) on page 3-3.

A byte store (STRB) repeats the bottom 8 bits of the source register four times across data bus outputs 31 through 0. The external memory system should activate the appropriate byte subsystem to store the data.

A word load (LDR) will normally use a word aligned address. However, an address offset from a word boundary will cause the data to be rotated into the register so that the addressed byte occupies bits 0 to 7. This means that halfwords accessed at offsets 0 and 2 from the word boundary will be correctly loaded into bits 0 through 15 of the register. Two shift operations are then required to clear or to sign extend the upper 16 bits. This is illustrated in [Figure 4-13: Little-endian offset addressing](#) on page 4-26.

Instruction Set - LDR, STR

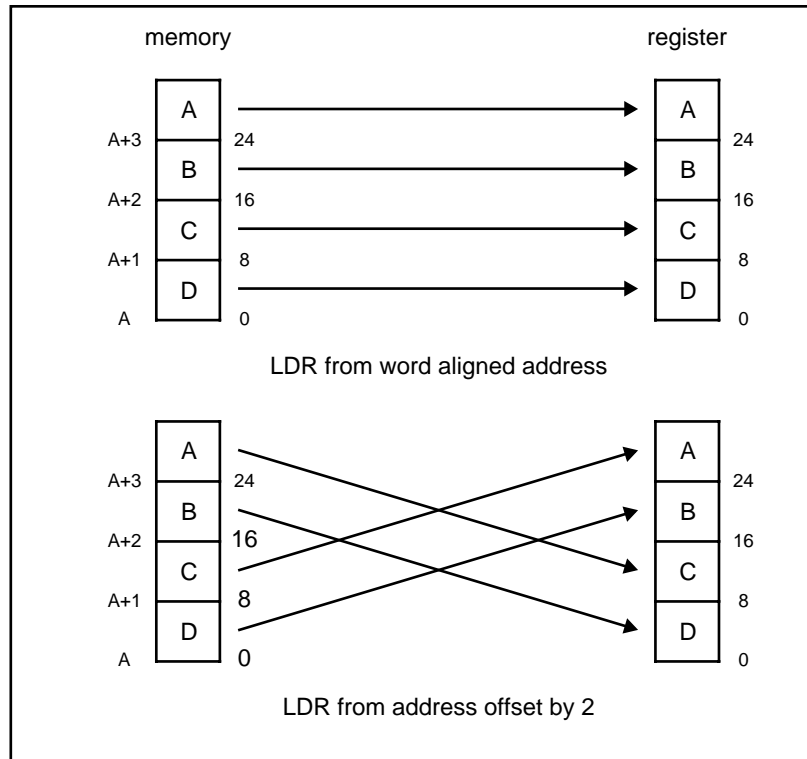


Figure 4-13: Little-endian offset addressing

A word store (STR) should generate a word aligned address. The word presented to the data bus is not affected if the address is not word aligned. That is, bit 31 of the register being stored always appears on data bus output 31.

Big-endian configuration

A byte load (LDRB) expects the data on data bus inputs 31 through 24 if the supplied address is on a word boundary, on data bus inputs 23 through 16 if it is a word address plus one byte, and so on. The selected byte is placed in the bottom 8 bits of the destination register and the remaining bits of the register are filled with zeros. Please see [Figure 3-1: Big endian addresses of bytes within words](#) on page 3-3.

A byte store (STRB) repeats the bottom 8 bits of the source register four times across data bus outputs 31 through 0. The external memory system should activate the appropriate byte subsystem to store the data.

A word load (LDR) should generate a word aligned address. An address offset of 0 or 2 from a word boundary will cause the data to be rotated into the register so that the addressed byte occupies bits 31 through 24. This means that halfwords accessed at these offsets will be correctly loaded into bits 16 through 31 of the register. A shift operation is then required to move (and optionally sign extend) the data into the bottom 16 bits. An address offset of 1 or 3 from a word boundary will cause the data to be rotated into the register so that the addressed byte occupies bits 15 through 8.

A word store (STR) should generate a word aligned address. The word presented to the data bus is not affected if the address is not word aligned. That is, bit 31 of the register being stored always appears on data bus output 31.

4.7.4 Use of R15

Write-back must not be specified if R15 is specified as the base register (Rn). When using R15 as the base register you must remember it contains an address 8 bytes on from the address of the current instruction.

R15 must not be specified as the register offset (Rm).

When R15 is the source register (Rd) of a register store (STR) instruction, the stored value will be address of the instruction plus 12.

4.7.5 Restriction on the use of base register

When configured for late aborts, the following example code is difficult to unwind as the base register, Rn, gets updated before the abort handler starts. Sometimes it may be impossible to calculate the initial value.

After an abort, the following example code is difficult to unwind as the base register, Rn, gets updated before the abort handler starts. Sometimes it may be impossible to calculate the initial value.

Example:

```
LDR    R0, [R1], R1
```

Therefore a post-indexed LDR or STR where Rm is the same register as Rn should not be used.

4.7.6 Data aborts

A transfer to or from a legal address may cause problems for a memory management system. For instance, in a system which uses virtual memory the required data may be absent from main memory. The memory manager can signal a problem by taking the processor **ABORT** input HIGH whereupon the Data Abort trap will be taken. It is up to the system software to resolve the cause of the problem, then the instruction can be restarted and the original program continued.

4.7.7 Instruction cycle times

Normal LDR instructions take $1S + 1N + 1I$ and LDR PC take $2S + 2N + 1I$ incremental cycles, where S, N and I are as defined in [6.2 Cycle Types](#) on page 6-2.

STR instructions take $2N$ incremental cycles to execute.

Instruction Set - LDR, STR

4.7.8 Assembler syntax

`<LDR|STR>{cond}{B}{T} Rd, <Address>`

where:

LDR load from memory into a register

STR store from a register into memory

{cond} two-character condition mnemonic. See [Table 4-2: Condition code summary](#) on page 4-6.

{B} if B is present then byte transfer, otherwise word transfer

{T} if T is present the W bit will be set in a post-indexed instruction, forcing non-privileged mode for the transfer cycle. T is not allowed when a pre-indexed addressing mode is specified or implied.

Rd is an expression evaluating to a valid register number.

Rn and Rm are expressions evaluating to a register number. If Rn is R15 then the assembler will subtract 8 from the offset value to allow for ARM610 pipelining. In this case base write-back should not be specified.

<Address> can be:

- 1 An expression which generates an address:

`<expression>`

The assembler will attempt to generate an instruction using the PC as a base and a corrected immediate offset to address the location given by evaluating the expression. This will be a PC relative, pre-indexed address. If the address is out of range, an error will be generated.

- 2 A pre-indexed addressing specification:

[Rn] offset of zero

[Rn, <#expression>] {!} offset of <expression> bytes

[Rn, {+/-}Rm{, <shift>}] {!} offset of +/- contents of index register, shifted by <shift>

- 3 A post-indexed addressing specification:

[Rn], <#expression> offset of <expression> bytes

[Rn], {+/-}Rm{, <shift>} offset of +/- contents of index register, shifted as by <shift>

<shift> general shift operation (see data processing instructions) but you cannot specify the shift amount by a register.
{!} writes back the base register (set the W bit) if ! is present.

4.7.9 Examples

```
STR    R1,[R2,R4]!    ; Store R1 at R2+R4 (both of which are
                       ; registers) and write back address to
                       ; R2.
STR    R1,[R2],R4     ; Store R1 at R2 and write back
                       ; R2+R4 to R2.
LDR    R1,[R2,#16]    ; Load R1 from contents of R2+16, but
                       ; don't write back.
LDR    R1,[R2,R3,LSL#2] ; Load R1 from contents of R2+R3*4.
LDREQBR1,[R6,#5]     ; Conditionally load byte at R6+5 into
                       ; R1 bits 0 to 7, filling bits 8 to 31
                       ; with zeros.
STR    R1,PLACE       ; Generate PC relative offset to
                       ; address PLACE.
      .
PLACE
```

4.8 Halfword and Signed Data Transfer (LDRH/STRH/LDRSB/LDRSH)

The instruction is only executed if the condition is true. The various conditions are defined in [Table 4-2: Condition code summary](#) on page 4-6. The instruction encoding is shown in [Figure 4-14: Halfword and signed data transfer with register offset](#), below, and [Figure 4-15: Halfword and signed data transfer with immediate offset](#) on page 4-31.

These instructions are used to load or store halfwords of data and also load sign-extended bytes or halfwords of data. The memory address used in the transfer is calculated by adding an offset to or subtracting an offset from a base register. The result of this calculation may be written back into the base register if auto-indexing is required.

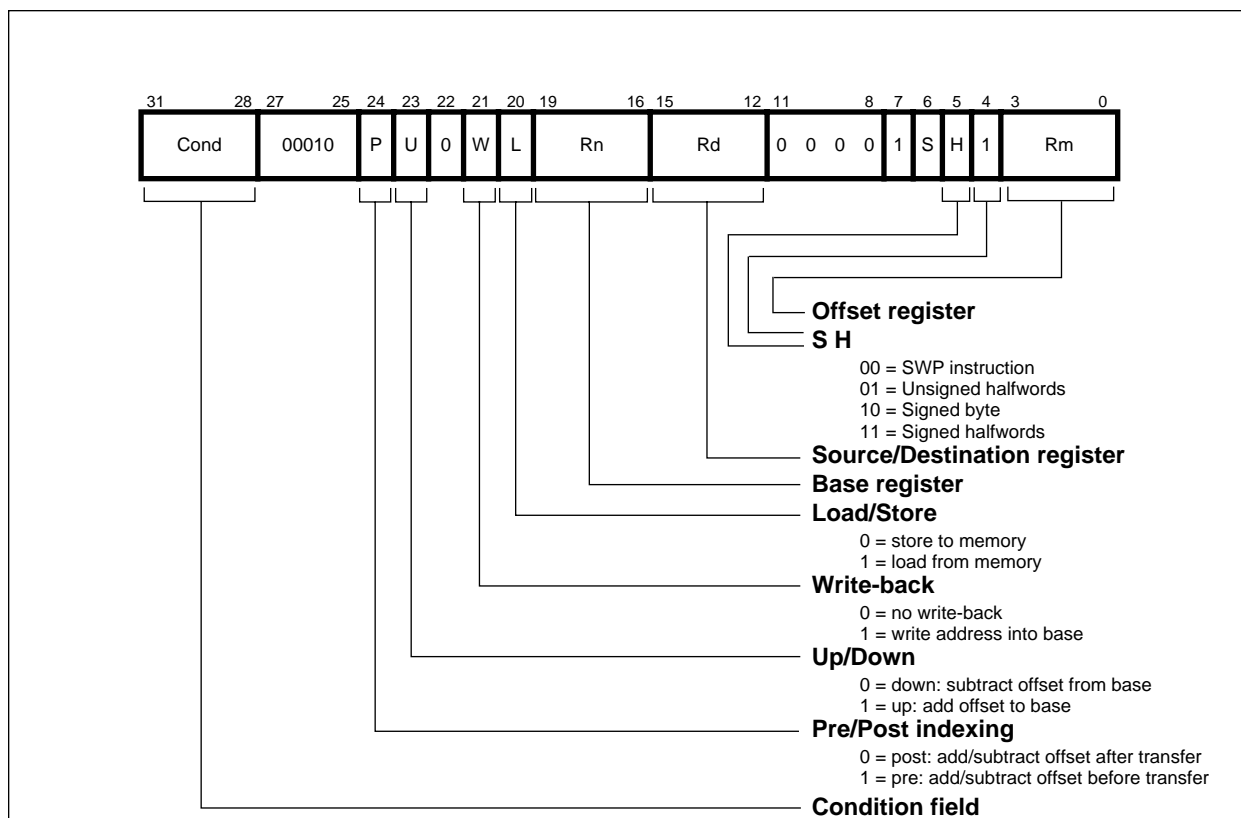


Figure 4-14: Halfword and signed data transfer with register offset

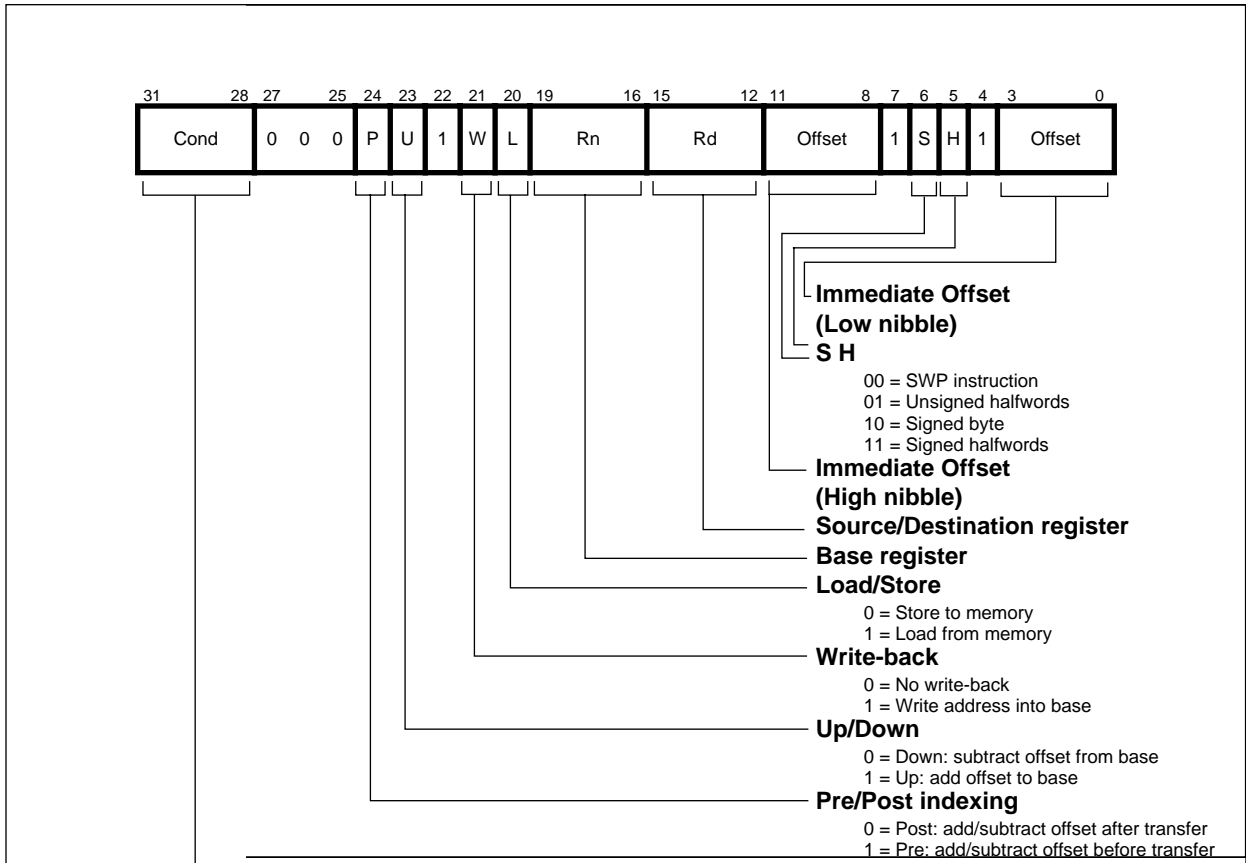


Figure 4-15: Halfword and signed data transfer with immediate offset

4.8.1 Offsets and auto-indexing

The offset from the base may be either a 8-bit unsigned binary immediate value in the instruction, or a second register. The 8-bit offset is formed by concatenating bits 11 to 8 and bits 3 to 0 of the instruction word, such that bit 11 becomes the MSB and bit 0 becomes the LSB. The offset may be added to (U=1) or subtracted from (U=0) the base register Rn. The offset modification may be performed either before (pre-indexed, P=1) or after (post-indexed, P=0) the base register is used as the transfer address.

The W bit gives optional auto-increment and decrement addressing modes. The modified base value may be written back into the base (W=1), or the old base may be kept (W=0). In the case of post-indexed addressing, the write back bit is redundant and is always set to zero, since the old base value can be retained if necessary by setting the offset to zero. Therefore post-indexed data transfers always write back the modified base.

The Write-back bit should not be set high (W=1) when post-indexed addressing is selected.

Instruction Set - LDR, STR

4.8.2 Halfword load and stores

Setting S=0 and H=1 may be used to transfer unsigned halfwords between an ARM610 register and memory.

The action of LDRH and STRH instructions is influenced by the BIGEND control signal. The two possible configurations are described in the section below.

4.8.3 Signed byte and halfword loads

The S bit controls the loading of sign-extended data. When S=1 the H bit selects between Bytes (H=0) and halfwords (H=1). The L bit should not be set low (Store) when Signed (S=1) operations have been selected.

The LDRSB instruction loads the selected Byte into bits 7 to 0 of the destination register and bits 31 to 8 of the destination register are set to the value of bit 7, the sign bit.

The LDRSH instruction loads the selected halfword into bits 15 to 0 of the destination register and bits 31 to 16 of the destination register are set to the value of bit 15, the sign bit.

The action of the LDRSB and LDRSH instructions is influenced by the BIGEND control signal. The two possible configurations are described in the following section.

4.8.4 Endianness and byte/halfword selection

Little-endian configuration

A signed byte load (LDRSB) expects data on data bus inputs 7 through to 0 if the supplied address is on a word boundary, on data bus inputs 15 through to 8 if it is a word address plus one byte, and so on. The selected byte is placed in the bottom 8 bits of the destination register, and the remaining bits of the register are filled with the sign bit, bit 7 of the byte. Please see [Figure 3-2: Little endian addresses of bytes within words](#) on page 3-3

A halfword load (LDRSH or LDRH) expects data on data bus inputs 15 through to 0 if the supplied address is on a word boundary and on data bus inputs 31 through to 16 if it is a halfword boundary, (A[1]=1). The supplied address should always be on a halfword boundary. If bit 0 of the supplied address is HIGH, the ARM610 will load an unpredictable value. The selected halfword is placed in the bottom 16 bits of the destination register. For unsigned halfwords (LDRH), the top 16 bits of the register are filled with zeros and for signed halfwords (LDRSH) the top 16 bits are filled with the sign bit, bit 15 of the halfword.

A halfword store (STRH) repeats the bottom 16 bits of the source register twice across the data bus outputs 31 through to 0. The external memory system should activate the appropriate halfword subsystem to store the data. Note that the address must be halfword aligned, if bit 0 of the address is HIGH this will cause unpredictable behaviour.

Big-endian configuration

A signed byte load (LDRSB) expects data on data bus inputs 31 through to 24 if the supplied address is on a word boundary, on data bus inputs 23 through to 16 if it is a word address plus one byte, and so on. The selected byte is placed in the bottom 8 bits of the destination register, and the remaining bits of the register are filled with the sign bit, bit 7 of the byte. Please see [Figure 3-1: Big endian addresses of bytes within words](#) on page 3-3

A halfword load (LDRSH or LDRH) expects data on data bus inputs 31 through to 16 if the supplied address is on a word boundary and on data bus inputs 15 through to 0 if it is a halfword boundary, ($A[1]=1$). The supplied address should always be on a halfword boundary. If bit 0 of the supplied address is HIGH then the ARM610 will load an unpredictable value. The selected halfword is placed in the bottom 16 bits of the destination register. For unsigned halfwords (LDRH), the top 16 bits of the register are filled with zeros and for signed halfwords (LDRSH) the top 16 bits are filled with the sign bit, bit 15 of the halfword.

A halfword store (STRH) repeats the bottom 16 bits of the source register twice across the data bus outputs 31 through to 0. The external memory system should activate the appropriate halfword subsystem to store the data. Note that the address must be halfword aligned, if bit 0 of the address is HIGH this will cause unpredictable behaviour.

4.8.5 Use of R15

Writeback should not be specified if R15 is specified as the base register (Rn). When using R15 as the base register you must remember it contains an address 8 bytes on from the address of the current instruction.

R15 should not be specified as the register offset (Rm).

When R15 is the source register (Rd) of a halfword store (STRH) instruction, the stored address will be address of the instruction plus 12.

4.8.6 Data aborts

A transfer to or from a legal address may cause problems for a memory management system. For instance, in a system which uses virtual memory the required data may be absent from the main memory. The memory manager can signal a problem by taking the processor ABORT input HIGH whereupon the Data Abort trap will be taken. It is up to the system software to resolve the cause of the problem, then the instruction can be restarted and the original program continued.

4.8.7 Instruction cycle times

Normal LDR(H,SH,SB) instructions take $1S + 1N + 1I$

LDR(H,SH,SB) PC take $2S + 2N + 1I$ incremental cycles.

S, N and I are defined in [6.2 Cycle Types](#) on page 6-2.

STRH instructions take 2N incremental cycles to execute.

Instruction Set - LDR, STR

4.8.8 Assembler syntax

`<LDR | STR> {cond} <H | SH | SB> Rd, <address>`

LDR load from memory into a register

STR Store from a register into memory

{cond} two-character condition mnemonic. See [Table 4-2: Condition code summary](#) on page 4-6.

H Transfer halfword quantity

SB Load sign extended byte (Only valid for LDR)

SH Load sign extended halfword (Only valid for LDR)

Rd is an expression evaluating to a valid register number.

<address> can be:

- 1 An expression which generates an address:

`<expression>`

The assembler will attempt to generate an instruction using the PC as a base and a corrected immediate offset to address the location given by evaluating the expression. This will be a PC relative, pre-indexed address. If the address is out of range, an error will be generated.

- 2 A pre-indexed addressing specification:

`[Rn]` offset of zero

`[Rn,<#expression>]{!}` offset of <expression> bytes

`[Rn,{+/-}Rm]{!}` offset of +/- contents of index register

- 3 A post-indexed addressing specification:

`[Rn],<#expression>` offset of <expression> bytes

`[Rn},{+/-}Rm` offset of +/- contents of index register.

Rn and Rm are expressions evaluating to a register number. If Rn is R15 then the assembler will subtract 8 from the offset value to allow for ARM610 pipelining. In this case base write-back should not be specified.

{!} writes back the base register (set the W bit) if ! is present.

4.8.9 Examples

```
LDRH    R1,[R2,-R3]!    ; Load R1 from the contents of the
                        ; halfword address contained in
                        ; R2-R3 (both of which are registers)
                        ; and write back address to R2
STRH    R3,[R4,#14]    ; Store the halfword in R3 at R14+14
                        ; but don't write back.
LDRSB   R8,[R2],#-223  ; Load R8 with the sign extended
                        ; contents of the byte address
                        ; contained in R2 and write back
                        ; R2-223 to R2.
LDRNESH R11,[R0]       ; conditionally load R11 with the sign
                        ; extended contents of the halfword
                        ; address contained in R0.
HERE                                         ; Generate PC relative offset to
                                         ; address FRED.
                                         ; Store the halfword in R5 at address
                                         ; FRED.
STRH    R5, [PC, #(FRED-HERE-8)]
.
FRED
```

4.9 Block Data Transfer (LDM, STM)

The instruction is only executed if the condition is true. The various conditions are defined in [Table 4-2: Condition code summary](#) on page 4-6. The instruction encoding is shown in [Figure 4-16: Block data transfer instructions](#).

Block data transfer instructions are used to load (LDM) or store (STM) any subset of the currently visible registers. They support all possible stacking modes, maintaining full or empty stacks which can grow up or down memory, and are very efficient instructions for saving or restoring context, or for moving large blocks of data around main memory.

4.9.1 The register list

The instruction can cause the transfer of any registers in the current bank (and non-user mode programs can also transfer to and from the user bank, see below). The register list is a 16-bit field in the instruction, with each bit corresponding to a register. A 1 in bit 0 of the register field will cause R0 to be transferred, a 0 will cause it not to be transferred; similarly bit 1 controls the transfer of R1, and so on.

Any subset of the registers, or all the registers, may be specified. The only restriction is that the register list should not be empty.

Whenever R15 is stored to memory the stored value is the address of the STM instruction plus 12.

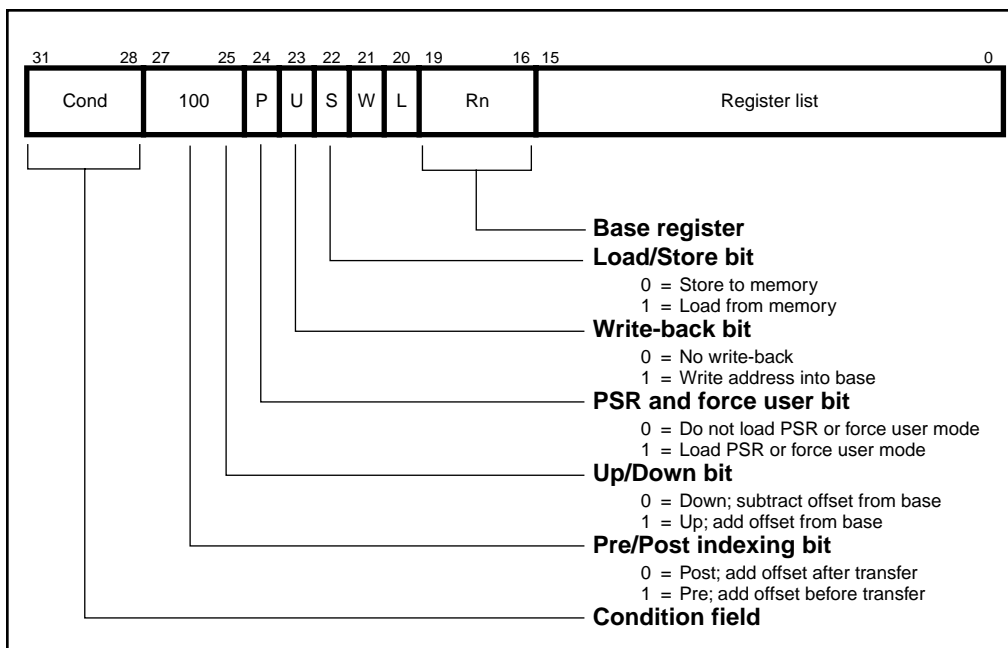


Figure 4-16: Block data transfer instructions

4.9.2 Addressing modes

The transfer addresses are determined by the contents of the base register (Rn), the pre/post bit (P) and the up/down bit (U). The registers are transferred in the order lowest to highest, so R15 (if in the list) will always be transferred last. The lowest register also gets transferred to/from the lowest memory address. By way of illustration, consider the transfer of R1, R5 and R7 in the case where Rn=0x1000 and write back of the modified base is required (W=1). ◀Figure 4-17: Post-increment addressing, ◀Figure 4-18: Pre-increment addressing, ◀Figure 4-19: Post-decrement addressing and ◀Figure 4-20: Pre-decrement addressing show the sequence of register transfers, the addresses used, and the value of Rn after the instruction has completed.

In all cases, had write back of the modified base not been required (W=0), Rn would have retained its initial value of 0x1000 unless it was also in the transfer list of a load multiple register instruction, when it would have been overwritten with the loaded value.

4.9.3 Address alignment

The address should normally be a word aligned quantity and non-word aligned addresses do not affect the instruction. However, the bottom 2 bits of the address will appear on **A[1:0]** and might be interpreted by the memory system.

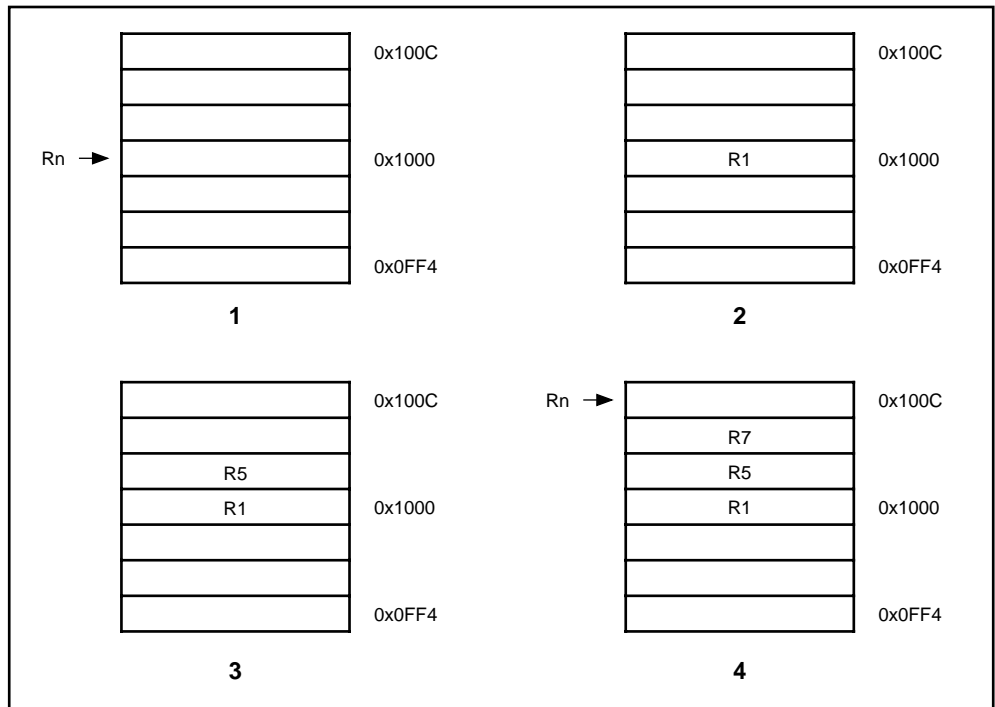


Figure 4-17: Post-increment addressing

Instruction Set - LDM, STM

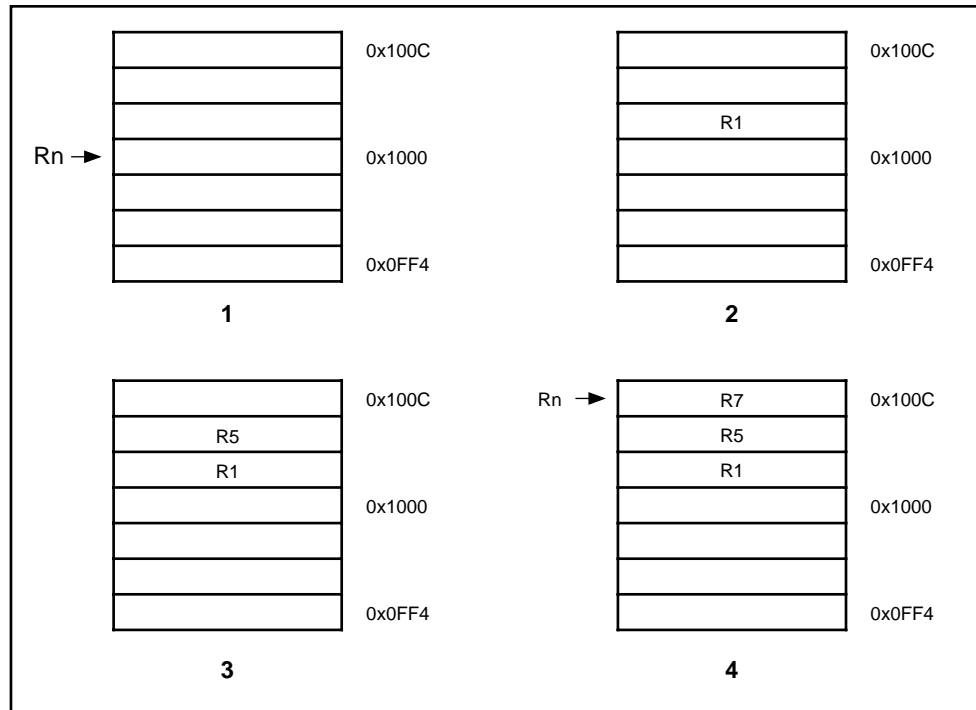


Figure 4-18: Pre-increment addressing

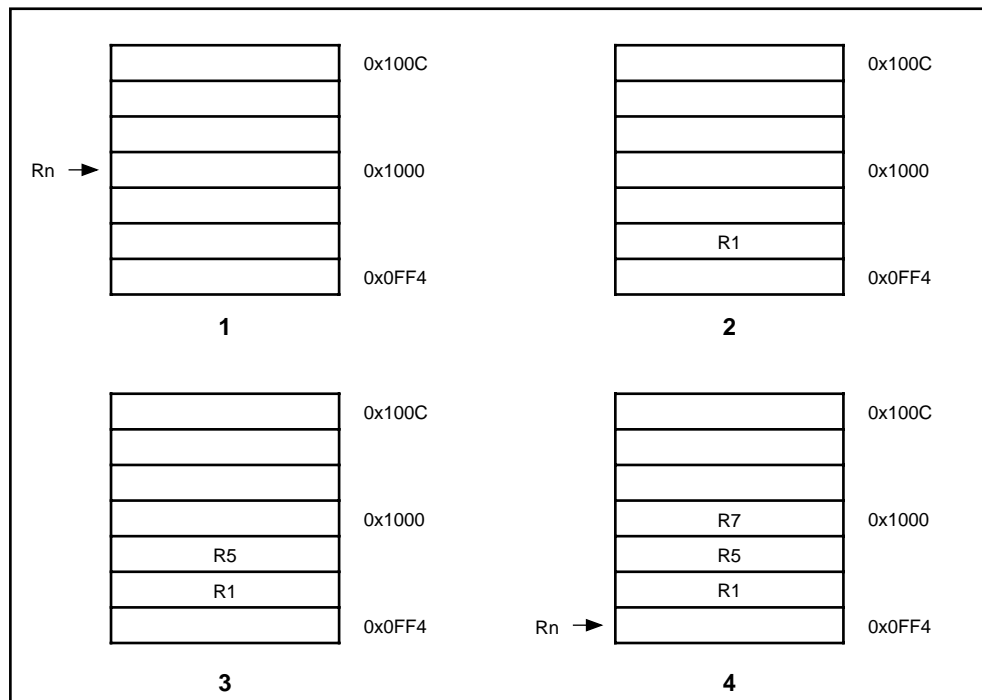


Figure 4-19: Post-decrement addressing

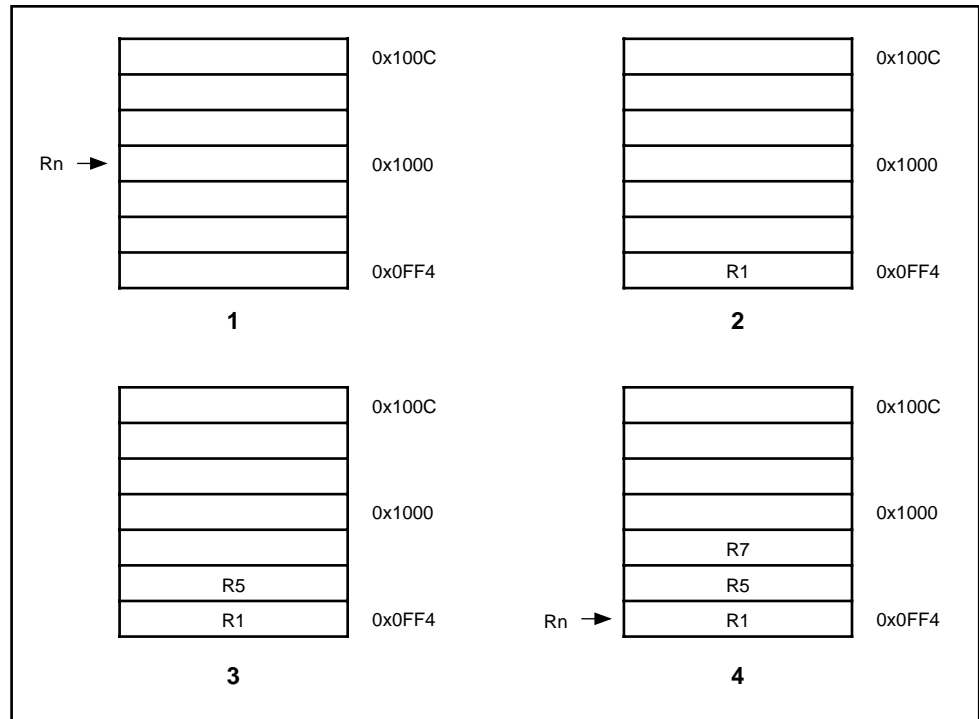


Figure 4-20: Pre-decrement addressing

4.9.4 Use of the S bit

When the S bit is set in a LDM/STM instruction its meaning depends on whether or not R15 is in the transfer list and on the type of instruction. The S bit should only be set if the instruction is to execute in a privileged mode.

LDM with R15 in transfer list and S bit set (Mode changes)

If the instruction is a LDM then SPSR_<mode> is transferred to CPSR at the same time as R15 is loaded.

STM with R15 in transfer list and S bit set (User bank transfer)

The registers transferred are taken from the User bank rather than the bank corresponding to the current mode. This is useful for saving the user state on process switches. Base write-back should not be used when this mechanism is employed.

R15 not in list and S bit set (User bank transfer)

For both LDM and STM instructions, the User bank registers are transferred rather than the register bank corresponding to the current mode. This is useful for saving the user state on process switches. Base write-back should not be used when this mechanism is employed.

When the instruction is LDM, care must be taken not to read from a banked register during the following cycle (inserting a dummy instruction such as MOV R0, R0 after the LDM will ensure safety).

Instruction Set - LDM, STM

4.9.5 Use of R15 as the base

R15 should not be used as the base register in any LDM or STM instruction.

4.9.6 Inclusion of the base in the register list

When write-back is specified, the base is written back at the end of the second cycle of the instruction. During a STM, the first register is written out at the start of the second cycle. A STM which includes storing the base, with the base as the first register to be stored, will therefore store the unchanged value, whereas with the base second or later in the transfer order, will store the modified value. A LDM will always overwrite the updated base if the base is in the list.

4.9.7 Data aborts

Some legal addresses may be unacceptable to a memory management system, and the memory manager can indicate a problem with an address by taking the **ABORT** signal HIGH. This can happen on any transfer during a multiple register load or store, and must be recoverable if ARM610 is to be used in a virtual memory system.

Aborts during STM instructions

If the abort occurs during a store multiple instruction, ARM610 takes little action until the instruction completes, whereupon it enters the data abort trap. The memory manager is responsible for preventing erroneous writes to the memory. The only change to the internal state of the processor will be the modification of the base register if write-back was specified, and this must be reversed by software (and the cause of the abort resolved) before the instruction may be retried.

Aborts during LDM instructions

When ARM610 detects a data abort during a load multiple instruction, it modifies the operation of the instruction to ensure that recovery is possible.

- 1 Overwriting of registers stops when the abort happens. The aborting load will not take place but earlier ones may have overwritten registers. The PC is always the last register to be written and so will always be preserved.
- 2 The base register is restored, to its modified value if write-back was requested. This ensures recoverability in the case where the base register is also in the transfer list, and may have been overwritten before the abort occurred.

The data abort trap is taken when the load multiple has completed, and the system software must undo any base modification (and resolve the cause of the abort) before restarting the instruction.

4.9.8 Assembler syntax

`<LDM|STM> {cond} <FD|ED|FA|EA|IA|IB|DA|DB> Rn{!}, <Rlist>{^}`

where:

- {cond} two character condition mnemonic. See [Table 4-2: Condition code summary](#) on page 4-6.
- Rn is an expression evaluating to a valid register number
- <Rlist> is a list of registers and register ranges enclosed in {} (e.g. {R0,R2-R7,R10}).
- {!} if present requests write-back (W=1), otherwise W=0
- {^} if present set S bit to load the CPSR along with the PC, or force transfer of user bank when in privileged mode

Addressing mode names

There are different assembler mnemonics for each of the addressing modes, depending on whether the instruction is being used to support stacks or for other purposes. The equivalence between the names and the values of the bits in the instruction are shown in the following table:

Name	Stack	Other	L bit	P bit	U bit
pre-increment load	LDMED	LDMIB	1	1	1
post-increment load	LDMFD	LDMIA	1	0	1
pre-decrement load	LDMEA	LDMDB	1	1	0
post-decrement load	LDMFA	LDMDA	1	0	0
pre-increment store	STMFA	STMIB	0	1	1
post-increment store	STMEA	STMIA	0	0	1
pre-decrement store	STMFD	STMDB	0	1	0
post-decrement store	STMED	STMDA	0	0	0

Table 4-4: Addressing mode names

FD, ED, FA, EA define pre/post indexing and the up/down bit by reference to the form of stack required. The F and E refer to a “full” or “empty” stack, i.e. whether a pre-index has to be done (full) before storing to the stack. The A and D refer to whether the stack is ascending or descending. If ascending, a STM will go up and LDM down, if descending, vice-versa.

IA, IB, DA, DB allow control when LDM/STM are not being used for stacks and simply mean Increment After, Increment Before, Decrement After, Decrement Before.

Instruction Set - LDM, STM

4.9.9 Examples

```
LDMFD SP!, {R0,R1,R2}    ; Unstack 3 registers.
STMIA R0, {R0-R15}       ; Save all registers.
LDMFD SP!, {R15}         ; R15 <- (SP), CPSR unchanged.
LDMFD SP!, {R15}^        ; R15 <- (SP), CPSR <- SPSR_mode
                           ; (allowed only in privileged modes).
STMFD R13, {R0-R14}^     ; Save user mode regs on stack
                           ; (allowed only in privileged modes).
```

These instructions may be used to save state on subroutine entry, and restore it efficiently on return to the calling routine:

```
STMED SP!, {R0-R3,R14}   ; Save R0 to R3 to use as workspace
                           ; and R14 for returning.
BL      somewhere        ; This nested call will overwrite R14
LDMED SP!, {R0-R3,R15}   ; restore workspace and return.
```

4.10 Single Data Swap (SWP)

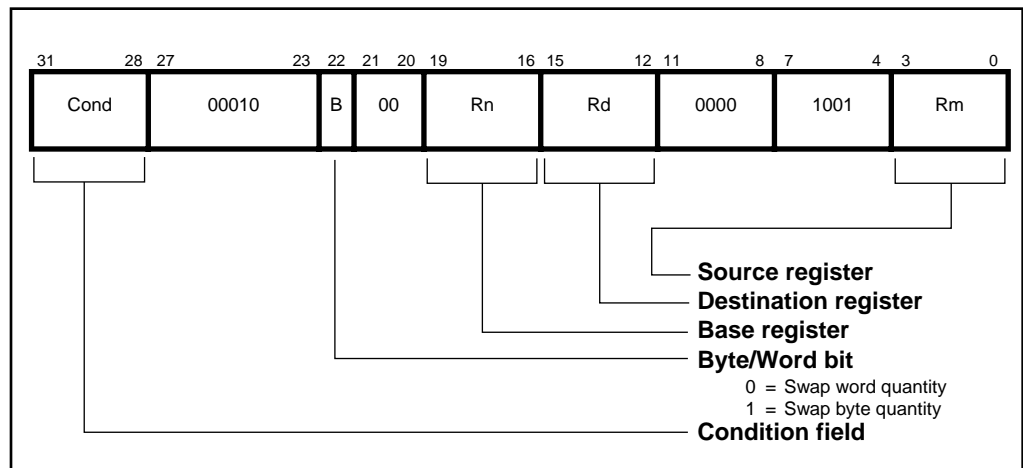


Figure 4-21: Swap instruction

The instruction is only executed if the condition is true. The various conditions are defined in [Table 4-2: Condition code summary](#) on page 4-6. The instruction encoding is shown in [Figure 4-21: Swap instruction](#).

The data swap instruction is used to swap a byte or word quantity between a register and external memory. This instruction is implemented as a memory read followed by a memory write which are “locked” together (the processor cannot be interrupted until both operations have completed, and the memory manager is warned to treat them as inseparable). This class of instruction is particularly useful for implementing software semaphores.

The swap address is determined by the contents of the base register (Rn). The processor first reads the contents of the swap address. Then it writes the contents of the source register (Rm) to the swap address, and stores the old memory contents in the destination register (Rd). The same register may be specified as both the source and destination.

The **LOCK** output goes HIGH for the duration of the read and write operations to signal to the external memory manager that they are locked together, and should be allowed to complete without interruption. This is important in multi-processor systems where the swap instruction is the only indivisible instruction which may be used to implement semaphores; control of the memory must not be removed from a processor while it is performing a locked operation.

4.10.1 Bytes and words

This instruction class may be used to swap a byte (B=1) or a word (B=0) between an ARM610 register and memory. The SWP instruction is implemented as a LDR followed by a STR and the action of these is as described in the section on single data transfers. In particular, the description of big and little-endian configuration applies to the SWP instruction.

Instruction Set - SWP

4.10.2 Use of R15

Do not use R15 as an operand (Rd, Rn or Rs) in a SWP instruction.

4.10.3 Data aborts

If the address used for the swap is unacceptable to a memory management system, the memory manager can flag the problem by driving ABORT HIGH. This can happen on either the read or the write cycle (or both), and in either case, the Data Abort trap will be taken. It is up to the system software to resolve the cause of the problem, then the instruction can be restarted and the original program continued.

4.10.4 Instruction cycle times

SWP instructions take $1S + 2N + 1I$ incremental cycles to execute, where S, N and I are as defined in [6.2 Cycle Types](#) on page 6-2.

4.10.5 Assembler syntax

`<SWP> {cond} {B} Rd, Rm, [Rn]`

`{cond}` two-character condition mnemonic. See [Table 4-2: Condition code summary](#) on page 4-6.

`{B}` if B is present then byte transfer, otherwise word transfer

`Rd, Rm, Rn` are expressions evaluating to valid register numbers

4.10.6 Examples

```
SWP    R0,R1,[R2]    ; Load R0 with the word addressed by R2, and
                    ; store R1 at R2.
SWPBB R2,R3,[R4]    ; Load R2 with the byte addressed by R4, and
                    ; store bits 0 to 7 of R3 at R4.
SWPEQ R0,R0,[R1]    ; Conditionally swap the contents of the
                    ; word addressed by R1 with R0.
```


4.11 Software Interrupt (SWI)

The instruction is only executed if the condition is true. The various conditions are defined in [Table 4-2: Condition code summary](#) on page 4-6. The instruction encoding is shown in [Figure 4-22: Software interrupt instruction](#), below.

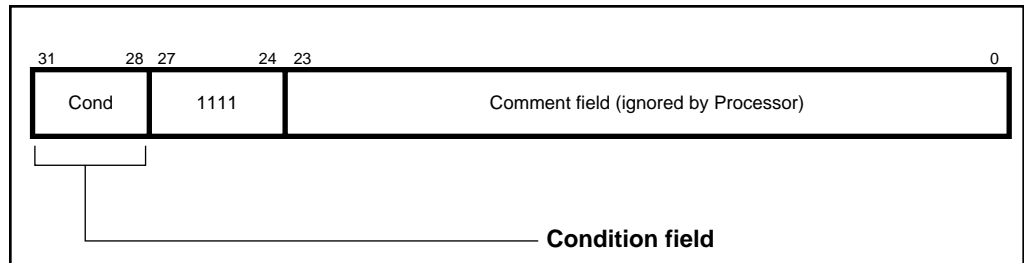


Figure 4-22: Software interrupt instruction

The software interrupt instruction is used to enter Supervisor mode in a controlled manner. The instruction causes the software interrupt trap to be taken, which effects the mode change. The PC is then forced to a fixed value (0x08) and the CPSR is saved in SPSR_svc. If the SWI vector address is suitably protected (by external memory management hardware) from modification by the user, a fully protected operating system may be constructed.

4.11.1 Return from the supervisor

The PC is saved in R14_svc upon entering the software interrupt trap, with the PC adjusted to point to the word after the SWI instruction. MOVs PC,R14_svc will return to the calling program and restore the CPSR.

Note that the link mechanism is not re-entrant, so if the supervisor code wishes to use software interrupts within itself it must first save a copy of the return address and SPSR.

4.11.2 Comment field

The bottom 24 bits of the instruction are ignored by the processor, and may be used to communicate information to the supervisor code. For instance, the supervisor may look at this field and use it to index into an array of entry points for routines which perform the various supervisor functions.

4.11.3 Instruction cycle times

Software interrupt instructions take $2S + 1N$ incremental cycles to execute, where S and N are as defined in [6.2 Cycle Types](#) on page 6-2.

Instruction Set - SWI

4.11.4 Assembler syntax

SWI{cond} <expression>	
{cond}	two character condition mnemonic, Table 4-2: Condition code summary on page 4-6.
<expression>	is evaluated and placed in the comment field (which is ignored by ARM610).

4.11.5 Examples

```
SWI   ReadC           ; Get next character from read stream.
SWI   WriteI+"k"      ; Output a "k" to the write stream.
SWINE 0               ; Conditionally call supervisor
                        ; with 0 in comment field.
```

Supervisor code

The previous examples assume that suitable supervisor code exists, for instance:

```
0x08 B Supervisor    ; SWI entry point
EntryTable           ; addresses of supervisor routines
    DCD ZeroRtn
    DCD ReadCRtn
    DCD WriteIRtn
    . . .
Zero EQU 0
ReadC EQU 256
WriteI EQU 512

Supervisor

; SWI has routine required in bits 8-23 and data (if any) in
; bits 0-7.
; Assumes R13_svc points to a suitable stack

STMFD R13,{R0-R2,R14} ; Save work registers and return
                        ; address.
LDR   R0,[R14,#-4]    ; Get SWI instruction.
BIC   R0,R0,#0xFF000000 ; Clear top 8 bits.
MOV   R1,R0,LSR#8     ; Get routine offset.
ADR   R2,EntryTable   ; Get start address of entry table.
LDR   R15,[R2,R1,LSL#2] ; Branch to appropriate routine.

    WriteIRtn         ; Enter with character in R0 bits 0-7.
    . . . . .
LDMFD R13,{R0-R2,R15}^ ; Restore workspace and return,
                        ; restoring processor mode and flags.
```

4.12 Coprocessor Data Operations (CDP)

The instruction is only executed if the condition is true. The various conditions are defined in [Table 4-2: Condition code summary](#) on page 4-6. The instruction encoding is shown in [Figure 4-23: Coprocessor data operation instruction](#).

This class of instruction is used to tell a coprocessor to perform some internal operation. No result is communicated back to ARM610, and it will not wait for the operation to complete. The coprocessor could contain a queue of such instructions awaiting execution, and their execution can overlap other activity, allowing the coprocessor and ARM610 to perform independent tasks in parallel.

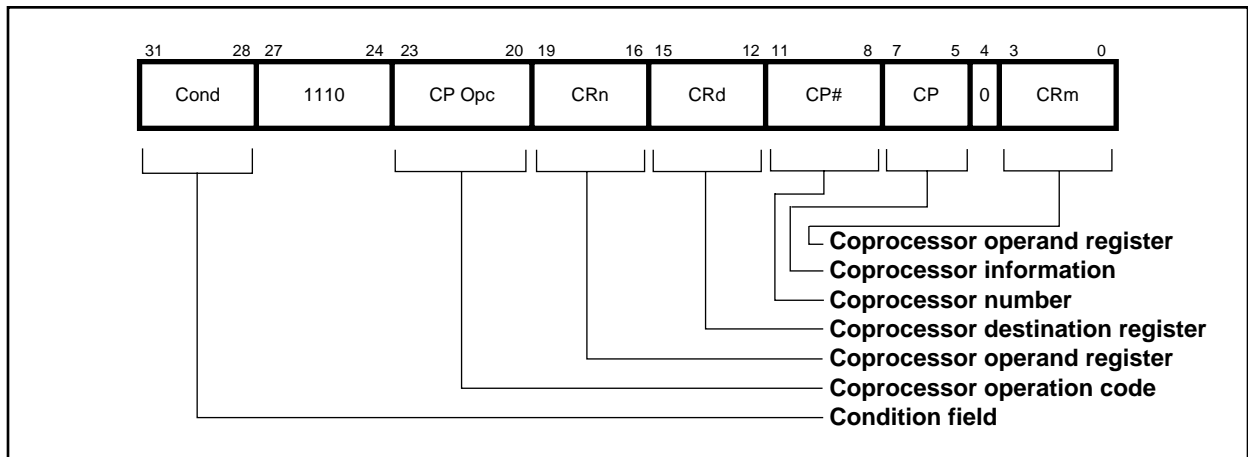


Figure 4-23: Coprocessor data operation instruction

4.12.1 The coprocessor fields

Only bit 4 and bits 24 to 31 are significant to ARM610. The remaining bits are used by coprocessors. The above field names are used by convention, and particular coprocessors may redefine the use of all fields except CP# as appropriate. The CP# field is used to contain an identifying number (in the range 0 to 15) for each coprocessor, and a coprocessor will ignore any instruction which does not contain its number in the CP# field.

The conventional interpretation of the instruction is that the coprocessor should perform an operation specified in the CP Opc field (and possibly in the CP field) on the contents of CRn and CRm, and place the result in CRd.

4.12.2 Instruction cycle times

Coprocessor data operations take $1S + bI$ incremental cycles to execute, where b is the number of cycles spent in the coprocessor busy-wait loop.

S and I are as defined in [6.2 Cycle Types](#) on page 6-2.

Instruction Set - CDP

4.12.3 Assembler syntax

<code>CDP{cond} p#, <expression1>, cd, cn, cm{, <expression2>}</code>	
<code>{cond}</code>	two character condition mnemonic. See Table 4-2: Condition code summary on page 4-6.
<code>p#</code>	the unique number of the required coprocessor
<code><expression1></code>	evaluated to a constant and placed in the CP Opc field
<code>cd, cn and cm</code>	evaluate to the valid coprocessor register numbers CRd, CRn and CRm respectively
<code><expression2></code>	where present is evaluated to a constant and placed in the CP field

4.12.4 Examples

```
CDP    p1,10,c1,c2,c3    ; Request coproc 1 to do operation 10
                          ; on CR2 and CR3, and put the result
                          ; in CR1.
CDPEQ  p2,5,c1,c2,c3,2  ; If Z flag is set request coproc 2
                          ; to do operation 5 (type 2) on CR2
                          ; and CR3, and put the result in CR1.
```

4.13 Coprocessor Data Transfers (LDC, STC)

The instruction is only executed if the condition is true. The various conditions are defined in [Table 4-2: Condition code summary](#) on page 4-6. The instruction encoding is shown in [Figure 4-24: Coprocessor data transfer instructions](#).

This class of instruction is used to load (LDC) or store (STC) a subset of a coprocessor's registers directly to memory. ARM610 is responsible for supplying the memory address, and the coprocessor supplies or accepts the data and controls the number of words transferred.

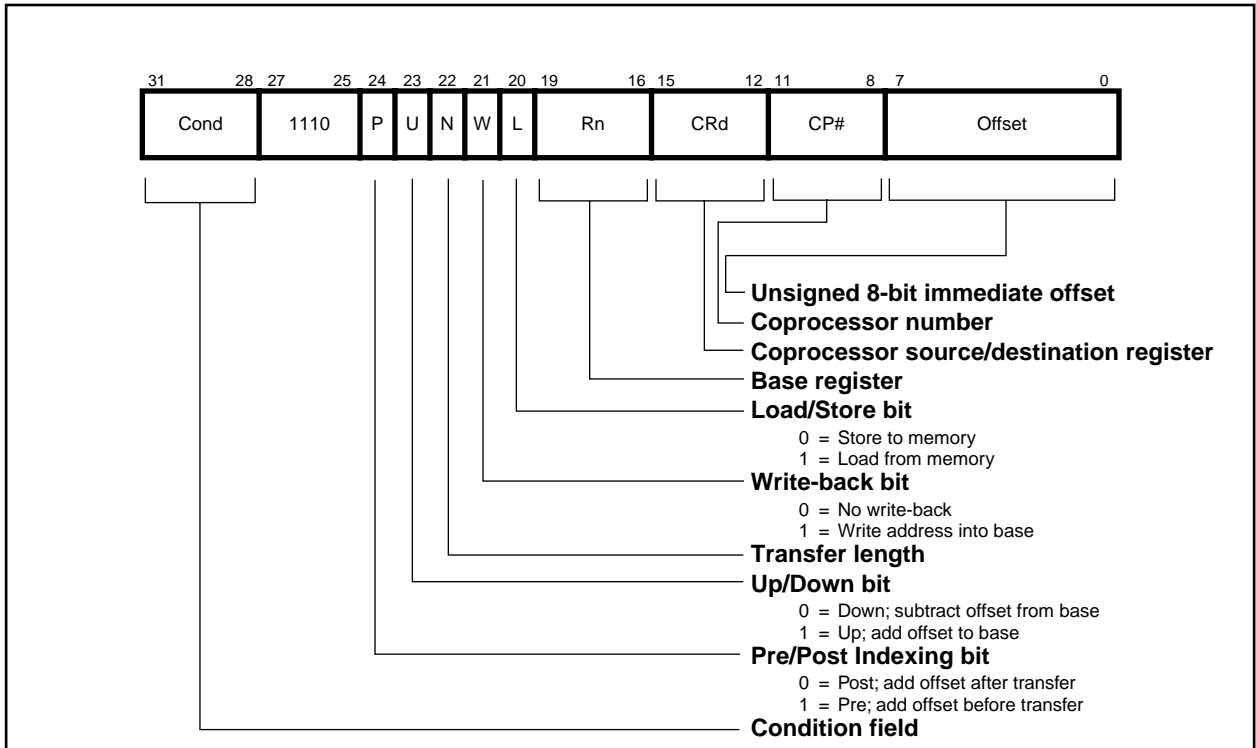


Figure 4-24: Coprocessor data transfer instructions

4.13.1 The coprocessor fields

The CP# field is used to identify the coprocessor which is required to supply or accept the data, and a coprocessor will only respond if its number matches the contents of this field.

The CRd field and the N bit contain information for the coprocessor which may be interpreted in different ways by different coprocessors, but by convention CRd is the register to be transferred (or the first register where more than one is to be transferred), and the N bit is used to choose one of two transfer length options. For instance N=0 could select the transfer of a single register, and N=1 could select the transfer of all the registers for context switching.

4.13.2 Addressing modes

ARM610 is responsible for providing the address used by the memory system for the transfer, and the addressing modes available are a subset of those used in single data transfer instructions. Note, however, that the immediate offsets are 8 bits wide and specify word offsets for coprocessor data transfers, whereas they are 12 bits wide and specify byte offsets for single data transfers.

The 8-bit unsigned immediate offset is shifted left 2 bits and either added to ($U=1$) or subtracted from ($U=0$) the base register (R_n); this calculation may be performed either before ($P=1$) or after ($P=0$) the base is used as the transfer address. The modified base value may be overwritten back into the base register (if $W=1$), or the old value of the base may be preserved ($W=0$). Note that post-indexed addressing modes require explicit setting of the W bit, unlike LDR and STR which always write-back when post-indexed.

The value of the base register, modified by the offset in a pre-indexed instruction, is used as the address for the transfer of the first word. The second word (if more than one is transferred) will go to or come from an address one word (4 bytes) higher than the first transfer, and the address will be incremented by one word for each subsequent transfer.

4.13.3 Address alignment

The base address should normally be a word-aligned quantity. The bottom 2 bits of the address will appear on **A[1:0]** and might be interpreted by the memory system.

4.13.4 Use of R15

If R_n is R15, the value used will be the address of the instruction plus 8 bytes. Base write-back to R15 must not be specified.

4.13.5 Data aborts

If the address is legal but the memory manager generates an abort, the data trap will be taken. The writeback of the modified base will take place, but all other processor state will be preserved. The coprocessor is partly responsible for ensuring that the data transfer can be restarted after the cause of the abort has been resolved, and must ensure that any subsequent actions it undertakes can be repeated when the instruction is retried.

4.13.6 Instruction cycle times

Coprocessor data transfer instructions take $(n-1)S + 2N + bI$ incremental cycles to execute, where:

n is the number of words transferred.

b is the number of cycles spent in the coprocessor busy-wait loop.

S , N and I are as defined in **6.2 Cycle Types** on page 6-2.

4.13.7 Assembler syntax

<LDC|STC>{cond}{L} p#,cd,<Address>

LDC load from memory to coprocessor

STC store from coprocessor to memory

{L} when present perform long transfer (N=1), otherwise perform short transfer (N=0)

{cond} two character condition mnemonic. See [Table 4-2: Condition code summary](#) on page 4-6.

p# the unique number of the required coprocessor

cd is an expression evaluating to a valid coprocessor register number that is placed in the CRd field

<Address> can be:

- 1 An expression which generates an address:

<expression>

The assembler will attempt to generate an instruction using the PC as a base and a corrected immediate offset to address the location given by evaluating the expression. This will be a PC relative, pre-indexed address. If the address is out of range, an error will be generated.

- 2 A pre-indexed addressing specification:

[Rn] offset of zero

[Rn,<#expression>]{!} offset of <expression> bytes

- 3 A post-indexed addressing specification:

[Rn],<#expression> offset of <expression> bytes

{!} write back the base register (set the W bit) if ! is present

Rn is an expression evaluating to a valid ARM610 register number.

Note *If Rn is R15, the assembler will subtract 8 from the offset value to allow for ARM610 pipelining.*

Instruction Set - LDC, STC

4.13.8 Examples

```
LDC    p1,c2,table    ; Load c2 of coproc 1 from address
                        ; table, using a PC relative address.
STCEQL p2,c3,[R5,#24]!; Conditionally store c3 of coproc 2
                        ; into an address 24 bytes up from R5,
                        ; write this address back to R5, and use
                        ; long transfer option (probably to
                        ; store multiple words).
```

Note *Although the address offset is expressed in bytes, the instruction offset field is in words. The assembler will adjust the offset appropriately.*

4.14 Coprocessor Register Transfers (MRC, MCR)

The instruction is only executed if the condition is true. The various conditions are defined in [Table 4-2: Condition code summary](#) on page 4-6. The instruction encoding is shown in [Figure 4-25: Coprocessor register transfer instructions](#).

This class of instruction is used to communicate information directly between ARM610 and a coprocessor. An example of a coprocessor to ARM610 register transfer (MRC) instruction would be a FIX of a floating point value held in a coprocessor, where the floating point number is converted into a 32-bit integer within the coprocessor, and the result is then transferred to ARM610 register. A FLOAT of a 32-bit value in ARM610 register into a floating point value within the coprocessor illustrates the use of ARM610 register to coprocessor transfer (MCR).

An important use of this instruction is to communicate control information directly from the coprocessor into the ARM610 CPSR flags. As an example, the result of a comparison of two floating point values within a coprocessor can be moved to the CPSR to control the subsequent flow of execution.

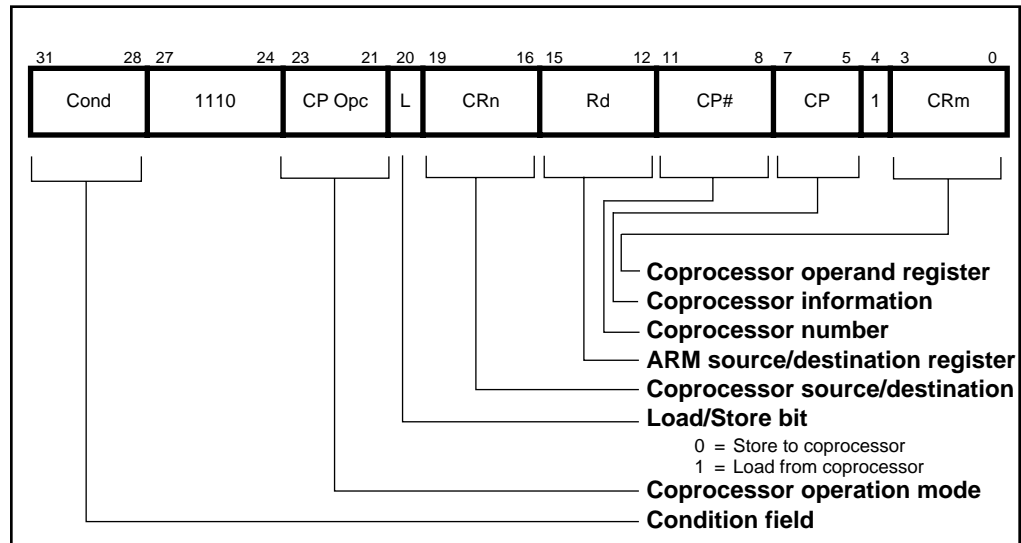


Figure 4-25: Coprocessor register transfer instructions

4.14.1 The coprocessor fields

The CP# field is used, as for all coprocessor instructions, to specify which coprocessor is being called upon.

The CP Opc, CRn, CP and CRm fields are used only by the coprocessor, and the interpretation presented here is derived from convention only. Other interpretations are allowed where the coprocessor functionality is incompatible with this one. The conventional interpretation is that the CP Opc and CP fields specify the operation the coprocessor is required to perform, CRn is the coprocessor register which is the source or destination of the transferred information, and CRm is a second coprocessor register which may be involved in some way which depends on the particular operation specified.

Instruction Set - MRC, MCR

4.14.2 Transfers to R15

When a coprocessor register transfer to ARM610 has R15 as the destination, bits 31, 30, 29 and 28 of the transferred word are copied into the N, Z, C and V flags respectively. The other bits of the transferred word are ignored, and the PC and other CPSR bits are unaffected by the transfer.

4.14.3 Transfers from R15

A coprocessor register transfer from ARM610 with R15 as the source register will store the PC+12.

4.14.4 Instruction cycle times

MRC instructions take $1S + (b+1)I + 1C$ incremental cycles to execute, where S, I and C are as defined in [6.2 Cycle Types](#) on page 6-2.

MCR instructions take $1S + bI + 1C$ incremental cycles to execute, where *b* is the number of cycles spent in the coprocessor busy-wait loop.

4.14.5 Assembler syntax

`<MRC|MRC>{cond} p#, <expression1>, Rd, cn, cm{, <expression2>}`

MRC	move from coprocessor to ARM610 register (L=1)
MCR	move from ARM610 register to coprocessor (L=0)
{cond}	two character condition mnemonic. See Table 4-2: Condition code summary on page 4-6.
p#	the unique number of the required coprocessor
<expression1>	evaluated to a constant and placed in the CP Opc field
Rd	is an expression evaluating to a valid ARM610 register number
cn and cm	are expressions evaluating to the valid coprocessor register numbers CRn and CRm respectively
<expression2>	where present is evaluated to a constant and placed in the CP field

4.14.6 Examples

```
MRC    p2,5,R3,c5,c6    ; Request coproc 2 to perform operation 5
                        ; on c5 and c6, and transfer the (single
                        ; 32-bit word) result back to R3.

MCR    p6,0,R4,c5,c6    ; Request coproc 6 to perform operation 0
                        ; on R4 and place the result in c6.

MRCEQ  p3,9,R3,c5,c6,2  ; Conditionally request coproc 3 to
                        ; perform operation 9 (type 2) on c5 and
                        ; c6, and transfer the result back to R3.
```

4.15 Undefined Instruction

The instruction is only executed if the condition is true. The various conditions are defined in [Table 4-2: Condition code summary](#) on page 4-6. The instruction format is shown in [Figure 4-26: Undefined instruction](#).

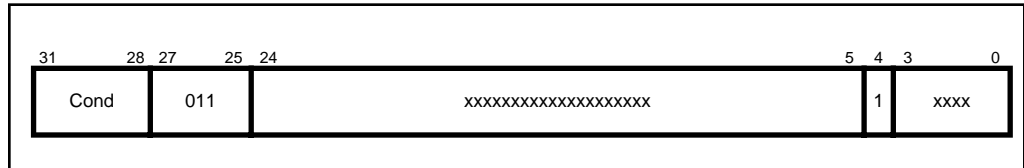


Figure 4-26: Undefined instruction

If the condition is true, the undefined instruction trap will be taken.

Note that the undefined instruction mechanism involves offering this instruction to any coprocessors which may be present, and all coprocessors must refuse to accept it by driving **CPA** and **CPB** HIGH.

4.15.1 Assembler syntax

The assembler has no mnemonics for generating this instruction. If it is adopted in the future for some specified use, suitable mnemonics will be added to the assembler. Until such time, this instruction must not be used.

Instruction Set - Examples

4.16 Instruction Set Examples

The following examples show ways in which the basic ARM610 instructions can combine to give efficient code. None of these methods saves a great deal of execution time (although they may save some), mostly they just save code.

4.16.1 Using the conditional instructions

Using conditionals for logical OR

```
CMP   Rn,#p           ; If Rn=p OR Rm=q THEN GOTO Label.
BEQ   Label
CMP   Rm,#q
BEQ   Label
```

This can be replaced by

```
CMP   Rn,#p
CMPNE Rm,#q           ; If condition not satisfied try
                          ; other test.
BEQ   Label
```

Absolute value

```
TEQ   Rn,#0           ; Test sign
RSBMI Rn,Rn,#0       ; and 2's complement if necessary.
```

Multiplication by 4, 5 or 6 (run time)

```
MOV   Rc,Ra,LSL#2    ; Multiply by 4,
CMP   Rb,#5          ; test value,
ADDCS Rc,Rc,Ra       ; complete multiply by 5,
ADDHI Rc,Rc,Ra       ; complete multiply by 6.
```

Combining discrete and range tests

```
TEQ   Rc,#127        ; Discrete test,
CMPNE Rc,#" "-1      ; range test
MOVLS Rc,#"."        ; IF Rc<=" " OR Rc=ASCII(127)
                          ; THEN Rc:="."
```

Division and remainder

A number of divide routines for specific applications are provided in source form as part of the ANSI C library provided with the ARM Cross Development Toolkit, available from your supplier. A short general purpose divide routine follows.

```
                          ; Enter with numbers in Ra and Rb.
                          ;
Div1  MOV   Rcnt,#1     ; Bit to control the division.
      CMP   Rb,#0x80000000 ; Move Rb until greater than Ra.
      CMPCC Rb,Ra
      MOVCC Rb,Rb,ASL#1
      MOVCC Rcnt,Rcnt,ASL#1
      BCC   Div1
      MOV   Rc,#0
```

```

Div2  CMP    Ra,Rb           ; Test for possible subtraction.
      SUBCS  Ra,Ra,Rb       ; Subtract if ok,
      ADDCS  Rc,Rc,Rcnt     ; put relevant bit into result
      MOVS  Rcnt,Rcnt,LSR#1 ; shift control bit
      MOVNE Rb,Rb,LSR#1    ; halve unless finished.
      BNE   Div2
                                           ;
                                           ; Divide result in Rc,
                                           ; remainder in Ra.
    
```

Overflow detection in the ARM610

1 Overflow in unsigned multiply with a 32-bit result

```

UMULL  Rd,Rt,Rm,Rn      ;3 to 6 cycles
TEQ    Rt,#0            ;+1 cycle and a register
BNE    overflow
    
```

2 Overflow in signed multiply with a 32-bit result

```

SMULL  Rd,Rt,Rm,Rn      ;3 to 6 cycles
TEQ    Rt,Rd,ASR#31     ;+1 cycle and a register
BNE    overflow
    
```

3 Overflow in unsigned multiply accumulate with a 32-bit result

```

UMLAL  Rd,Rt,Rm,Rn      ;4 to 7 cycles
TEQ    Rt,#0            ;+1 cycle and a register
BNE    overflow
    
```

4 Overflow in signed multiply accumulate with a 32-bit result

```

SMLAL  Rd,Rt,Rm,Rn      ;4 to 7 cycles
TEQ    Rt,Rd,ASR#31     ;+1 cycle and a register
BNE    overflow
    
```

5 Overflow in unsigned multiply accumulate with a 64-bit result

```

UMULL  Rl,Rh,Rm,Rn      ;3 to 6 cycles
ADDS   Rl,Rl,Ra1         ;lower accumulate
ADC    Rh,Rh,Ra2         ;upper accumulate
BCS    overflow         ;1 cycle and 2 registers
    
```

6 Overflow in signed multiply accumulate with a 64-bit result

```

SMULL  Rl,Rh,Rm,Rn      ;3 to 6 cycles
ADDS   Rl,Rl,Ra1         ;lower accumulate
ADC    Rh,Rh,Ra2         ;upper accumulate
BVS    overflow         ;1 cycle and 2 registers
    
```

Note *Overflow checking is not applicable to unsigned and signed multiplies with a 64-bit result, since overflow does not occur in such calculations.*

Instruction Set - Examples

4.16.2 Pseudo-random binary sequence generator

It is often necessary to generate (pseudo-) random numbers and the most efficient algorithms are based on shift generators with exclusive-OR feedback rather like a cyclic redundancy check generator. Unfortunately the sequence of a 32-bit generator needs more than one feedback tap to be maximal length (i.e. $2^{32}-1$ cycles before repetition), so this example uses a 33-bit register with taps at bits 33 and 20. The basic algorithm is newbit:=bit 33 eor bit 20, shift left the 33-bit number and put in newbit at the bottom; this operation is performed for all the newbits needed (i.e. 32 bits). The entire operation can be done in 5 S cycles:

```
                                ; Enter with seed in Ra (32 bits),
                                Rb (1 bit in Rb lsb), uses Rc.
                                ;
TST   Rb,Rb,LSR#1                ; Top bit into carry
MOVS  Rc,Ra,RRX                  ; 33-bit rotate right
ADC   Rb,Rb,Rb                    ; carry into lsb of Rb
EOR   Rc,Rc,Ra,LSL#12            ; (involved!)
EOR   Ra,Rc,Rc,LSR#20            ; (similarly involved!)
                                ; new seed in Ra, Rb as before
```

4.16.3 Multiplication by constant using the barrel shifter

Multiplication by 2^n (1,2,4,8,16,32..)

```
MOV   Ra, Rb, LSL #n
```

Multiplication by 2^{n+1} (3,5,9,17..)

```
ADDRa, Ra, Ra, LSL #n
```

Multiplication by 2^{n-1} (3,7,15..)

```
RSB   Ra, Ra, Ra, LSL #n
```

Multiplication by 6

```
ADD   Ra, Ra, Ra, LSL #1; multiply by 3
```

```
MOV   Ra, Ra, LSL #1; and then by 2
```

Multiply by 10 and add in extra number

```
ADD   Ra, Ra, Ra, LSL #2; multiply by 5
```

```
ADD   Ra, Rc, Ra, LSL #1; multiply by 2 and add in next digit
```

General recursive method for $Rb := Ra * C$, C a constant:

1 If C even, say $C = 2^n * D$, D odd:

```
D=1:   MOV   Rb, Ra, LSL #n
```

```
D<>1: {Rb := Ra * D}
```

```
MOV   Rb, Rb, LSL #n
```

2 If $C \bmod 4 = 1$, say $C = 2^n * D + 1$, D odd, $n > 1$:

```
D=1:      ADD    Rb,Ra,Ra,LSL #n
D<>1:    {Rb := Ra*D}
          ADD    Rb,Ra,Rb,LSL #n
```

3 If $C \bmod 4 = 3$, say $C = 2^n * D - 1$, D odd, $n > 1$:

```
D=1:      RSB    Rb,Ra,Ra,LSL #n
D<>1:    {Rb := Ra*D}
          RSB    Rb,Ra,Rb,LSL #n
```

This is not quite optimal, but close. An example of its non-optimality is multiply by 45 which is done by:

```
RSB      Rb,Ra,Ra,LSL#2 ; multiply by 3
RSB      Rb,Ra,Rb,LSL#2 ; multiply by 4*3-1 = 11
ADD      Rb,Ra,Rb,LSL# 2; multiply by 4*11+1 = 45
```

rather than by:

```
ADD      Rb,Ra,Ra,LSL#3 ; multiply by 9
ADD      Rb,Rb,Rb,LSL#2 ; multiply by 5*9 = 45
```

4.16.4 Loading a word from an unknown alignment

```
          ; enter with address in Ra (32 bits)
          ; uses Rb, Rc; result in Rd.
          ; Note d must be less than c e.g. 0,1
          ;
BIC      Rb,Ra,#3      ; get word aligned address
LDMIA   Rb,{Rd,Rc}    ; get 64 bits containing answer
AND     Rb,Ra,#3      ; correction factor in bytes
MOVS    Rb,Rb,LSL#3   ; ...now in bits and test if aligned
MOVNE   Rd,Rd,LSR Rb ; produce bottom of result word
          ; (if not aligned)
RSBNE   Rb,Rb,#32     ; get other shift amount
ORRNE   Rd,Rd,Rc,LSL Rb; combine two halves to get result
```




5

Configuration

This chapter explains how to configure the ARM610.

5.1	Configuration	5-2
5.2	Internal Coprocessor Instructions	5-2
5.3	Registers	5-2

Configuration

5.1 Configuration

The operation and configuration of ARM610 is controlled both directly via coprocessor instructions and indirectly via the Memory Management Page tables. The coprocessor instructions manipulate a number of on-chip registers which control the configuration of the Cache, write buffer, MMU and a number of other configuration options.

To ensure backwards compatibility of future CPUs, all reserved or unused bits in registers and coprocessor instructions should be programmed to '0'. Invalid registers must not be read or written. The following bits should be programmed to '0'.

Register 1 bits[31:9]
Register 2 bits[13:0]
Register 5 bits[31:0]
Register 6 bits[11:0]
Register 7 bits[31:0]

Note: *The grey areas in the register and translation diagrams are reserved and should be programmed 0 for future compatibility.*

5.2 Internal Coprocessor Instructions

The on-chip registers may be read using MRC instructions and written using MCR instructions. These operations are only allowed in non-user modes and the undefined instruction trap will be taken if accesses are attempted in user mode.

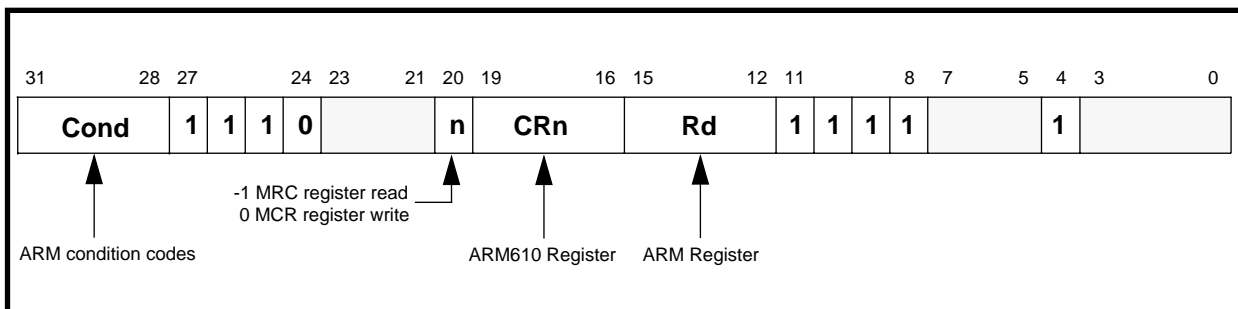


Figure 5-1: Format of internal coprocessor instructions MRC and MCR

5.3 Registers

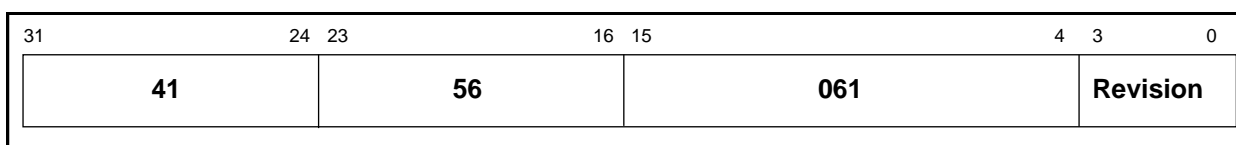
ARM610 contains registers which control the cache and MMU operation. These registers are accessed using CPRT instructions to Coprocessor #15 with the processor in a privileged mode. Only some of registers 0-7 are valid: an access to an invalid register will cause neither the access nor an undefined instruction trap, and therefore should never be carried out; an access to any of the registers 8-15 will cause the undefined instruction trap to be taken.

Register	Register reads	Register writes
0	ID Register	Reserved
1	Reserved	Control
2	Reserved	Translation Table Base
3	Reserved	Domain Access Control
4	Reserved	Reserved
5	Fault Status	Flush TLB
6	Fault Address	Purge TLB
7	Reserved	Flush IDC
8-15	Reserved	Reserved

Table 5-1: Cache and MMU control registers

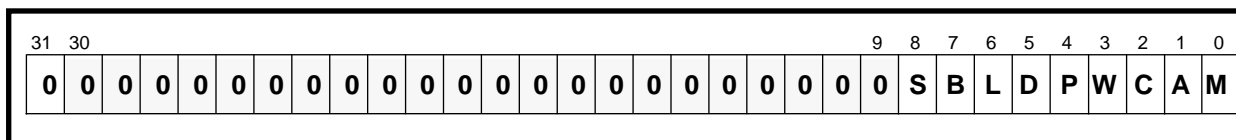
5.3.1 Register 0 ID

Register 0 is a read-only identity register that returns the ARM Ltd code for this chip: 0x4156061x.



5.3.2 Register 1 Control

Register 1 is write only and contains control bits. All bits in this register are forced LOW by reset.



M Bit 0 Enable/disable
 0 - on-chip Memory Management Unit turned off
 1 - on-chip Memory Management Unit turned on.

A Bit 1 Address Fault Enable/Disable
 0 - alignment fault disabled
 1 - alignment fault enabled

Configuration

- C Bit 2** **Cache Enable/Disable**
0 - Instruction / data cache turned off
1 - Instruction / data cache turned on

- W Bit 3** **Write buffer Enable/Disable**
0 - Write buffer turned off
1 - Write buffer turned on

- P Bit 4** **ARM 32/26-bit Program Space**
0 - 26-bit Program Space selected
1 - 32-bit Program Space selected

- D Bit 5** **ARM 32/26-bit Data Space**
0 - 26-bit Data Space selected
1 - 32-bit Data Space selected

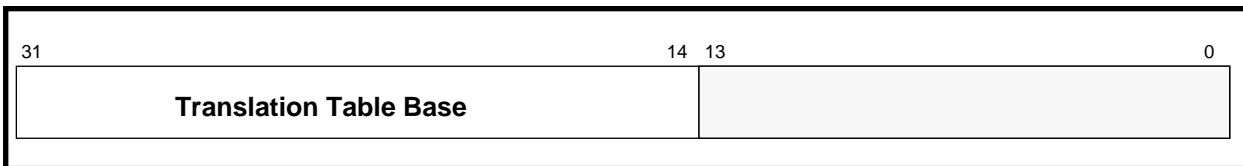
- L Bit 6** **Late Abort Timing**
0 - Early abort mode selected
1 - Late abort mode selected

- B Bit 7** **Big/Little Endian**
0 - Little-endian operation
1 - Big-endian operation

- S Bit 8** **System**
This bit controls the ARM610 permission system.

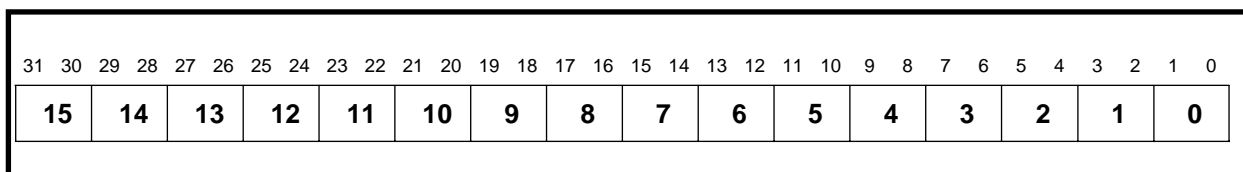
5.3.3 Register 2 Translation Table Base

Register 2 is a write-only register which holds the base of the currently active Level One page table.



5.3.4 Register 3 Domain Access Control

Register 3 is a write-only register which holds the current access control for domains 0 to 15. See [9.14 Domain Access Control](#) on page 9-14 for the access permission definitions and other details.



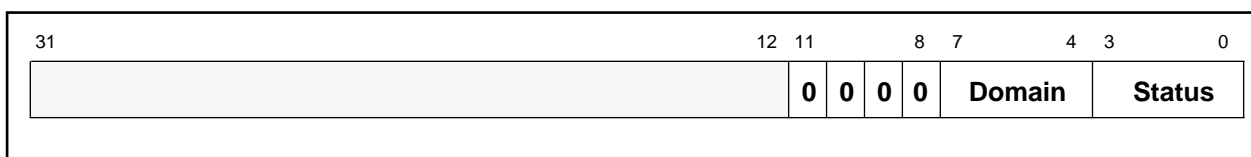
5.3.5 Register 4 Reserved

Register 4 is Reserved. Accessing this register has no effect, but should never be attempted.

5.3.6 Register 5

Read: Fault Status

Reading register 5 returns the status of the last data fault. It is not updated for a prefetch fault. See [Chapter 9, Memory Management Unit](#) for more details. Note that only the bottom 12 bits are returned. The upper 20 bits will be the last value on the internal data bus, and therefore will have no meaning. Bits 11:8 are always returned as zero.



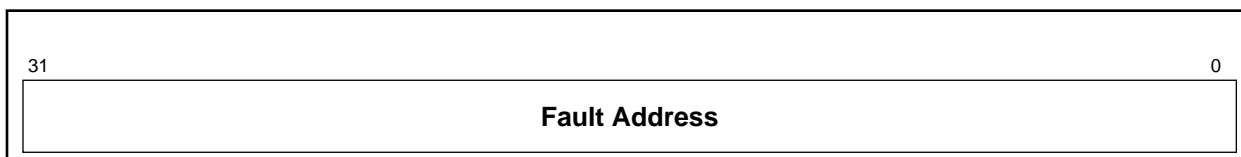
Write: Translation Lookaside Buffer Flush

Writing Register 5 flushes the TLB. (The data written is discarded).

5.3.7 Register 6

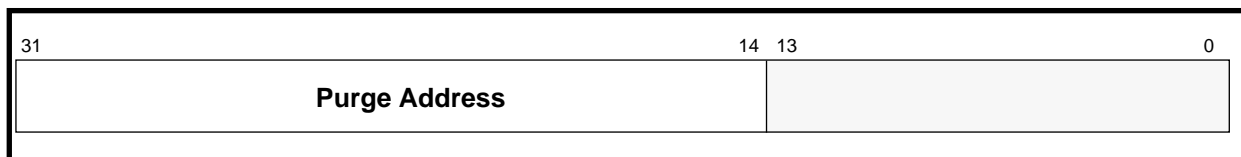
Read: Fault Address

Reading register 6 returns the virtual address of the last data fault.



Write: TLB Purge

Writing Register 6 purges the TLB; the data is treated as an address and the TLB is searched for a corresponding page table descriptor. If a match is found, the corresponding entry is marked as invalid. This allows the page table descriptors in main memory to be updated and invalid entries in the on-chip TLB to be purged without requiring the entire TLB to be flushed.



Configuration

5.3.8 Register 7 IDC Flush

Register 7 is a write-only register. The data written to this register is discarded and the IDC is flushed.

5.3.9 Registers 8 -15 Reserved

Accessing any of these registers will cause the undefined instruction trap to be taken.



6

Instruction and Data Cache (IDC)

This chapter describes the instruction and data cache of the ARM610.

6.1	Introduction	6-2
6.2	Cacheable Bit - C	6-2
6.3	Updateable Bit - U	6-2
6.4	IDC Operation	6-2
6.5	IDC Validity	6-3
6.6	Read-Lock-Write	6-3
6.7	IDC Enable/Disable and Reset	6-4

Instruction and Data Cache (IDC)

6.1 Introduction

ARM610 contains a 4kByte mixed instruction and data cache. The IDC has 256 lines of 16 bytes (four words), organised as a 64-way set-associative cache, and uses the virtual addresses generated by the processor core. The IDC is always reloaded a line at a time (four words). It may be enabled or disabled via the ARM610 Control Register and is disabled on **nRESET**. The operation of the cache is further controlled by two bits: *Cacheable* and *Updateable*, which are stored in the Memory Management Page Tables (see [Chapter 9, Memory Management Unit](#)). For this reason, in order to use the IDC, the MMU must be enabled. The two functions may however be enabled simultaneously, with a single write to the Control Register.

6.2 Cacheable Bit - C

The **Cacheable** bit determines whether data being read may be placed in the IDC and used for subsequent read operations. Typically main memory will be marked as Cacheable to improve system performance, and I/O space as Non-cacheable to stop the data being stored in ARM610's cache. For example if the processor is polling a hardware flag in I/O space, it is important that the processor is forced to read data from the external peripheral, and not a copy of initial data held in the cache. The *Cacheable* bit can be configured for both pages and sections.

6.3 Updateable Bit - U

The *Updateable* bit determines whether the data in the cache should be updated during a write operation to maintain consistency with the external memory. In certain cases automatic updating of cached data is not required: for instance, when using the MEMC1a memory manager, a read operation in the address space between 3400000H -3FFFFFFH would access the ROMs, but a write operation in the same address space would change a MEMC register, and should not affect the cached ROM data. The *Updateable* bit can only be configured by the Level One descriptor: that is an entire section or all the pages for a single Level One descriptor share the same configuration.

6.4 IDC Operation

When the processor performs a read or write operation, the translation entry for that address is inspected and the state of the cacheable and updateable bits determines the subsequent action.

6.4.1 Cacheable reads **C = 1**

The cache is searched for the relevant data; if found in the cache, the data is fed to the processor using a fast clock cycle (from **FCLK**). If the data is not found in the cache, an external memory access is initiated to read the appropriate line of data (four words) from external memory and it is stored in a pseudo-randomly chosen entry in the cache (a linefetch operation).

6.4.2 Uncacheable reads **C = 0**

The cache is not searched for the relevant data; instead an external memory access is initiated. No linefetch operation is performed, and the cache is not updated.

6.4.3 Updateable writes **U = 1**

An external memory access is initiated, and the cache is searched; if the cache holds a copy of the data from the address being written to, then the cache data is simultaneously updated.

6.4.4 Non-updateable writes **U = 0**

An external memory access is initiated, but the cache is not searched and the contents of the cache are not affected.

6.5 IDC Validity

The IDC operates with virtual addresses, so care must be taken to ensure that its contents remain consistent with the virtual to physical mappings performed by the Memory Management Unit. If the Memory Mappings are changed, the IDC validity must be ensured.

6.5.1 Software IDC flush

The entire IDC may be marked as invalid by writing to the ARM610 IDC Flush Register (Register 7). The cache will be flushed immediately the register is written, but note that the following two instruction fetches may come from the cache before the register is written.

6.5.2 Doubly mapped space

Since the cache works with virtual addresses, it is assumed that every virtual address maps to a different physical address. If the same physical location is accessed by more than one virtual address, the cache cannot maintain consistency, since each virtual address will have a separate entry in the cache, and only one entry will be updated on a processor write operation. To avoid any cache inconsistencies, both doubly-mapped virtual addresses should be marked as uncacheable.

6.6 Read-Lock-Write

The IDC treats the Read-Locked-Write instruction as a special case. The read phase always forces a read of external memory, regardless of whether the data is contained in the cache. The write phase is treated as a normal write operation (and if marked as updateable, and the data is already in the cache, the cache will be updated). Externally the two phases are flagged as indivisible by asserting the **LOCK** signal.

Instruction and Data Cache (IDC)

6.7 IDC Enable/Disable and Reset

The IDC is automatically disabled and flushed on **nRESET**. Once enabled, cacheable read accesses will cause lines to be placed in the cache. If subsequently disabled, no new lines will be placed in the cache, and the cache is not searched, but, updateable write operations will continue to operate, thus maintaining consistency with the external memory. If the cache is subsequently re-enabled, it must be flushed if data already in the cache no longer matches that in external memory.

6.7.1 To enable the IDC

To enable the IDC, make sure that the MMU is enabled first by setting bit 0 in Control Register, then enable the IDC by setting bit 2 in Control Register. The MMU and IDC may be enabled simultaneously with a single control register write.

6.7.2 To disable the IDC

To disable the IDC clear bit 2 in Control Register.

Note *Updateable writes continue but no linefetches are performed. To fully inhibit the cache's operation it should be disabled and then flushed to ensure it contains no valid entries.*



7

Write Buffer (WB)

This chapter describes the write buffer of the ARM610.

7.1	Introduction	7-2
7.2	Bufferable Bit	7-2
7.3	Write Buffer Operation	7-2

Write Buffer (WB)

7.1 Introduction

The ARM610 write buffer is provided to improve system performance. It can buffer up to eight words of data, and two independent addresses. It may be enabled or disabled via the W bit (bit 3) in the ARM610 Control Register and the buffer is disabled and flushed on reset. The operation of the write buffer is further controlled by one bit, B, or Bufferable, which is stored in the Memory Management Page Tables. For this reason, in order to use the write buffer, the MMU must be enabled. The two functions may however be enabled simultaneously, with a single write to the Control Register. For a write to use the write buffer, both the W bit in the Control Register, and the B bit in the corresponding page table must be set.

7.2 Bufferable Bit

This bit controls whether a write operation may or may not use the write buffer. Typically main memory will be bufferable and I/O space unbufferable. The Bufferable bit can be configured for both pages and sections.

7.3 Write Buffer Operation

When the CPU performs a write operation, the translation entry for that address is inspected and the state of the B bit determines the subsequent action. If the write buffer is disabled via the ARM610 Control Register, bufferable writes are treated in the same way as unbuffered writes.

7.3.1 Bufferable write

If the write buffer is enabled and the processor performs a write to a bufferable area, the data is placed in the write buffer at **FCLK** speeds and the CPU continues execution. The write buffer then performs the external write in parallel. If however the write buffer is full (either because there are already eight words of data in the buffer, or because there is no slot for the new address) then the processor is stalled until there is sufficient space in the buffer.

7.3.2 Unbufferable writes

If the write buffer is disabled or the CPU performs a write to an unbufferable area, the processor is stalled until the write buffer empties and the write completes externally, which may require synchronisation and several external clock cycles.

7.3.3 Read-lock-write

The write phase of a read-lock-write sequence is treated as an Unbuffered write, even if it is marked as buffered.

Note *A single write requires one address slot and one data slot in the write buffer; a sequential write of n words requires one address slot and n data slots. The total of 8 data slots in the buffer may be used as required. So for instance there could be one non-sequential write and one sequential write of seven words in the buffer, and the processor could continue as normal: a third write or an eighth word in the second write would stall the processor until the first write had completed.*

7.3.4 To enable the write buffer

To enable the write buffer, ensure the MMU is enabled by setting bit 0 in Control Register, then enable the write buffer by setting bit 3 in Control Register. The MMU and write buffer may be enabled simultaneously with a single write to the Control Register.

7.3.5 To disable the write buffer

To disable the write buffer, clear bit 3 in Control Register.

Note *Any writes already in the write buffer will complete normally.*

Write Buffer (WB)



8

Coprocessors

This chapter introduces the use of coprocessors with the ARM610.

8.1 Overview

8-2

Coprocessors

8.1 Overview

ARM610 has no external coprocessor bus, so it is not possible to add external coprocessors to this device.

ARM610 does have an internal coprocessor designated #15 for internal control of the device. If a coprocessor other than #15 is accessed, the CPU will take the undefined instruction trap.



9

Memory Management Unit

This chapter describes the ARM610 Memory Management Unit (MMU).

9.1	Memory Management Unit (MMU)	9-2
9.2	MMU Program Accessible Registers	9-2
9.3	Address Translation	9-3
9.4	Translation Process	9-4
9.5	Level One Descriptor	9-5
9.6	Page Table Descriptor	9-6
9.7	Section Descriptor	9-7
9.8	Translating Section References	9-8
9.9	Level Two Descriptor	9-9
9.10	Translating Small Page References	9-10
9.11	Translating Large Page References	9-11
9.12	MMU Faults and CPU Aborts	9-12
9.13	Fault Address and Fault Status Registers (FAR and FSR)	9-12
9.14	Domain Access Control	9-14
9.15	Fault Checking Sequence	9-15
9.16	External Aborts	9-17
9.17	Interaction of the MMU, IDC and Write Buffer	9-18
9.18	Effect of Reset	9-19

Memory Management Unit

9.1 Memory Management Unit (MMU)

The MMU performs two primary functions: it translates virtual addresses into physical addresses, and it controls memory access permissions. The MMU hardware required to perform these functions consists of a Translation Look-aside Buffer (TLB), access control logic, and translation table walking logic.

The MMU supports memory accesses based on Sections or Pages. Sections are comprised of 1MB blocks of memory. Two different page sizes are supported: Small Pages consist of 4Kb blocks of memory and Large Pages consist of 64Kb blocks of memory. (Large Pages are supported to allow mapping of a large region of memory while using only a single entry in the TLB). Additional access control mechanisms are extended within Small Pages to 1Kb Sub-Pages and within Large Pages to 16Kb Sub-Pages.

The MMU also supports the concept of domains—areas of memory that can be defined to possess individual access rights. The Domain Access Control Register is used to specify access rights for up to 16 separate domains.

The TLB caches 32 translated entries. During most memory accesses, the TLB provides the translation information to the access control logic.

If the TLB contains a translated entry for the virtual address, the access control logic determines whether access is permitted. If access is permitted, the MMU outputs the appropriate physical address corresponding to the virtual address. If access is not permitted, the MMU signals the CPU to abort.

If the TLB misses (ie. does not contain a translated entry for the virtual address), the translation table walk hardware is invoked to retrieve the translation information from a translation table in physical memory. Once retrieved, the translation information is placed into the TLB, possibly overwriting an existing value. The entry to be overwritten is chosen by cycling sequentially through the TLB locations.

When the MMU is turned off (as happens on reset), the virtual address is output directly onto the physical address bus.

9.2 MMU Program Accessible Registers

The ARM610 Processor provides several 32-bit registers which determine the operation of the MMU. The format for these registers is shown in [Figure 0-1: MMU register summary](#) on page -3. A brief description of the registers is provided below. Each register will be discussed in more detail within the section that describes its use.

Data is written to and read from the MMU's registers using the ARM CPU's MRC and MCR coprocessor instructions.

Register	31	30	29	28	27	26	25	24	23	22	21	20	19	18	17	16	15	14	13	12	11	10	9	8	7	6	5	4	3	2	1	0
1 write	0	Control																S	B	L	D	P	W	C	A	M						
2 write	Translation Table Base																															
3 write	15	14	13	12	11	10	9	8	7	6	5	4	3	2	1	0	Domain Access Control															
5 read	Fault Status												0	0	0	0	Domain	Status														
5 write	Flush TLB																															
6 read	Fault Address																															
6 write	Purge Address																															

Figure 9-1: MMU register summary

Translation Table Base Register

This holds the physical address of the base of the translation table maintained in main memory. Note that this base must reside on a 16Kb boundary.

Domain Access Control Register

This consists of sixteen 2-bit fields, each of which defines the access permissions for one of the sixteen Domains (D15-D0).

Note *The registers not shown are reserved and should not be used.*

Fault Status Register

This indicates the domain and type of access being attempted when an abort occurred. Bits 7:4 specify which of the sixteen domains (D15-D0) was being accessed when a fault occurred. Bits 3:1 indicate the type of access being attempted. The encoding of these bits is different for internal and external faults (as indicated by bit 0 in the register) and is shown in [Table 9-4: Priority encoding of fault status](#) on page 9-12. A write to this register flushes the TLB.

Fault Address Register

This holds the virtual address of the access which was attempted when a fault occurred. A write to this register causes the data written to be treated as an address and, if it is found in the TLB, the entry is marked as invalid. (This operation is known as a TLB purge). The Fault Status Register and Fault Address Register are only updated for data faults, not for prefetch faults.

9.3 Address Translation

The MMU translates virtual addresses generated by the CPU into physical addresses to access external memory, and also derives and checks the access permission. Translation information, which consists of both the address translation data and the

Memory Management Unit

access permission data, resides in a translation table located in physical memory. The MMU provides the logic needed to traverse this translation table, obtain the translated address, and check the access permission.

There are three routes by which the address translation (and hence the permission check) takes place. The route taken depends on whether the address in question has been marked as a section-mapped access or a page-mapped access; and there are two sizes of page-mapped access (large pages and small pages). However, the translation process always starts out in the same way, as described below, with a Level One fetch. A section-mapped access only requires a Level One fetch, but a page-mapped access also requires a Level Two fetch.

9.4 Translation Process

9.4.1 Translation Table Base

The translation process is initiated when the on-chip TLB does not contain an entry for the requested virtual address. The Translation Table Base (TTB) Register points to the base of a table in physical memory which contains Section and/or Page descriptors. The 14 low-order bits of the TTB Register are set to zero as illustrated in [Figure 9-2: Translation table base register](#); the table must reside on a 16Kb boundary.

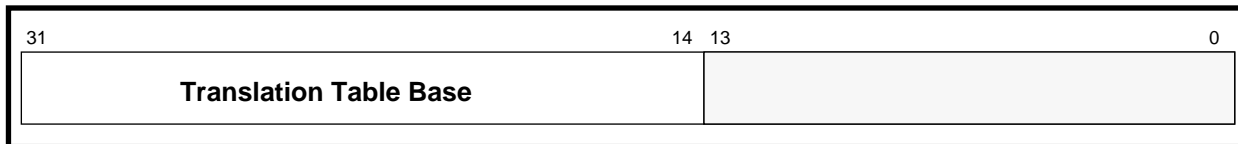


Figure 9-2: Translation table base register

9.4.2 Level One Fetch

Bits 31:14 of the Translation Table Base register are concatenated with bits 31:20 of the virtual address to produce a 30-bit address as illustrated in [Figure 9-3: Accessing the translation table first level descriptors](#). This address selects a four-byte translation table entry which is a First Level Descriptor for either a Section or a Page (bit 1 of the descriptor returned specifies whether it is for a Section or Page).

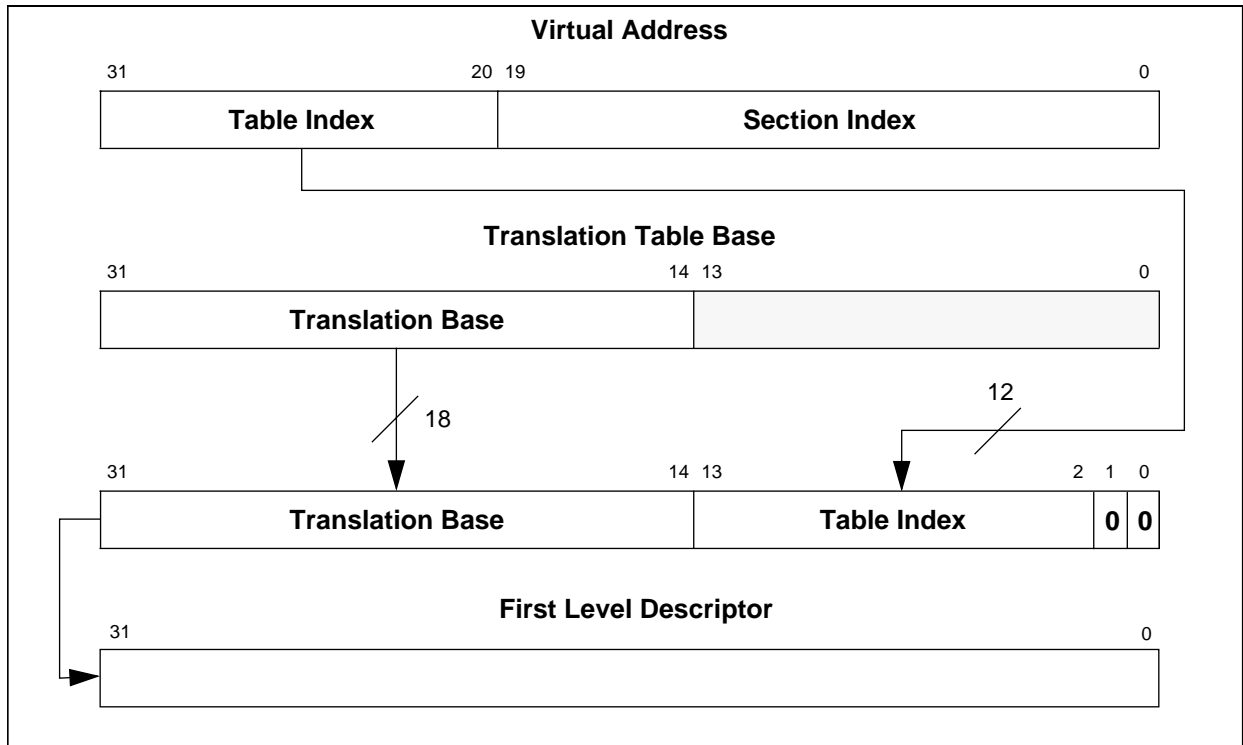


Figure 9-3: Accessing the translation table first level descriptors

9.5 Level One Descriptor

The Level One Descriptor returned is either a Page Table Descriptor or a Section Descriptor, and its format varies accordingly. The following figure illustrates the format of Level One Descriptors.

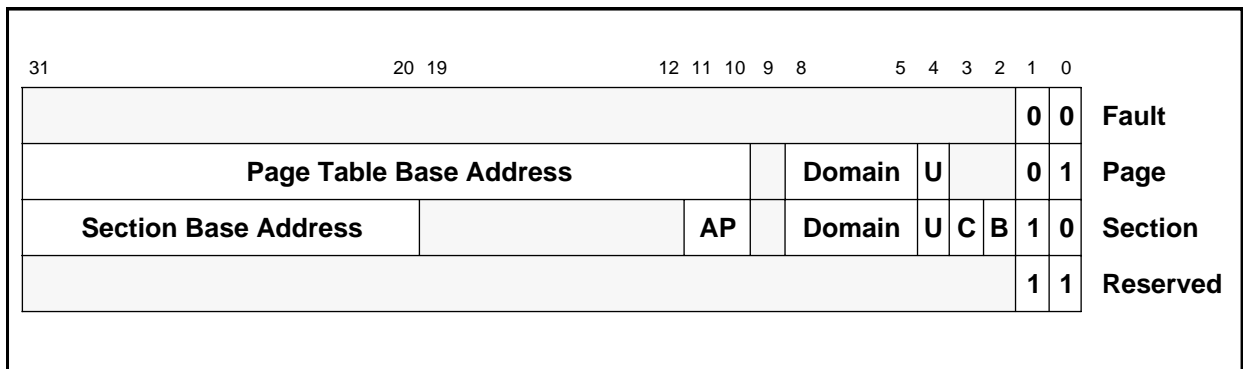


Figure 9-4: Level One Descriptors

Memory Management Unit

The two least significant bits indicate the descriptor type and validity, and are interpreted as shown below.

Value	Meaning	Notes
0 0	Invalid	Generates a Section Translation Fault
0 1	Page	Indicates that this is a Page Descriptor
1 0	Section	Indicates that this is a Section Descriptor
1 1	Reserved	Reserved for future use

Table 9-1: Interpreting Level One Descriptor Bits [1:0]

9.6 Page Table Descriptor

Bits 3:2 are always written as 0.

Bit 4 Updateable: indicates that the data in the cache should be updated during a write operation to maintain consistency with external memory (if the cache is enabled).

Bits 8:5 specify one of the sixteen possible domains (held in the Domain Access Control Register) that contain the primary access controls.

Bits 31:10 form the base for referencing the Page Table Entry. (The page table index for the entry is derived from the virtual address as illustrated in [Figure 9-7: Small page translation](#) on page 9-10).

If a Page Table Descriptor is returned from the Level One fetch, a Level Two fetch is initiated as described below.

9.7 Section Descriptor

Bits 4:2 (U,C, & B) control the cache- and write-buffer-related functions as follows:

U - Updateable: indicates that the data in the cache should be updated during a write operation to maintain consistency with external memory (if the cache is enabled).

C - Cacheable: indicates that data at this address will be placed in the cache (if the cache is enabled).

B - Bufferable: indicates that data at this address will be written through the write buffer (if the write buffer is enabled).

Bits 8:5 specify one of the sixteen possible domains (held in the Domain Access Control Register) that contain the primary access controls.

Bits 11:10 (AP) specify the access permissions for this section and are interpreted as shown in [Table 9-2: Interpreting access permission \(AP\) Bits](#). Their interpretation is dependent upon the setting of the S bit (Control Register bit 8). Note that the Domain Access Control specifies the primary access control; the AP bits only have an effect in client mode. Refer to section on access permissions.

AP	S	Supervisor permissions	User permissions	Notes
00	0	No Access	No Access	Any access generates a permission fault
00	1	Read Only	No Access	Supervisor read only permitted
01	x	Read/Write	No Access	Access allowed only in Supervisor mode
10	x	Read/Write	Read Only	Writes in User mode cause permission fault
11	x	Read/Write	Read/Write	All access types permitted in both modes.

Table 9-2: Interpreting access permission (AP) Bits

Bits 19:12 are always written as 0.

Bits 31:20 form the corresponding bits of the physical address for the 1Mb section.

Memory Management Unit

9.8 Translating Section References

Figure 9-5: Section translation illustrates the complete Section translation sequence. Note that the access permissions contained in the Level One Descriptor must be checked before the physical address is generated. The sequence for checking access permissions is described below.

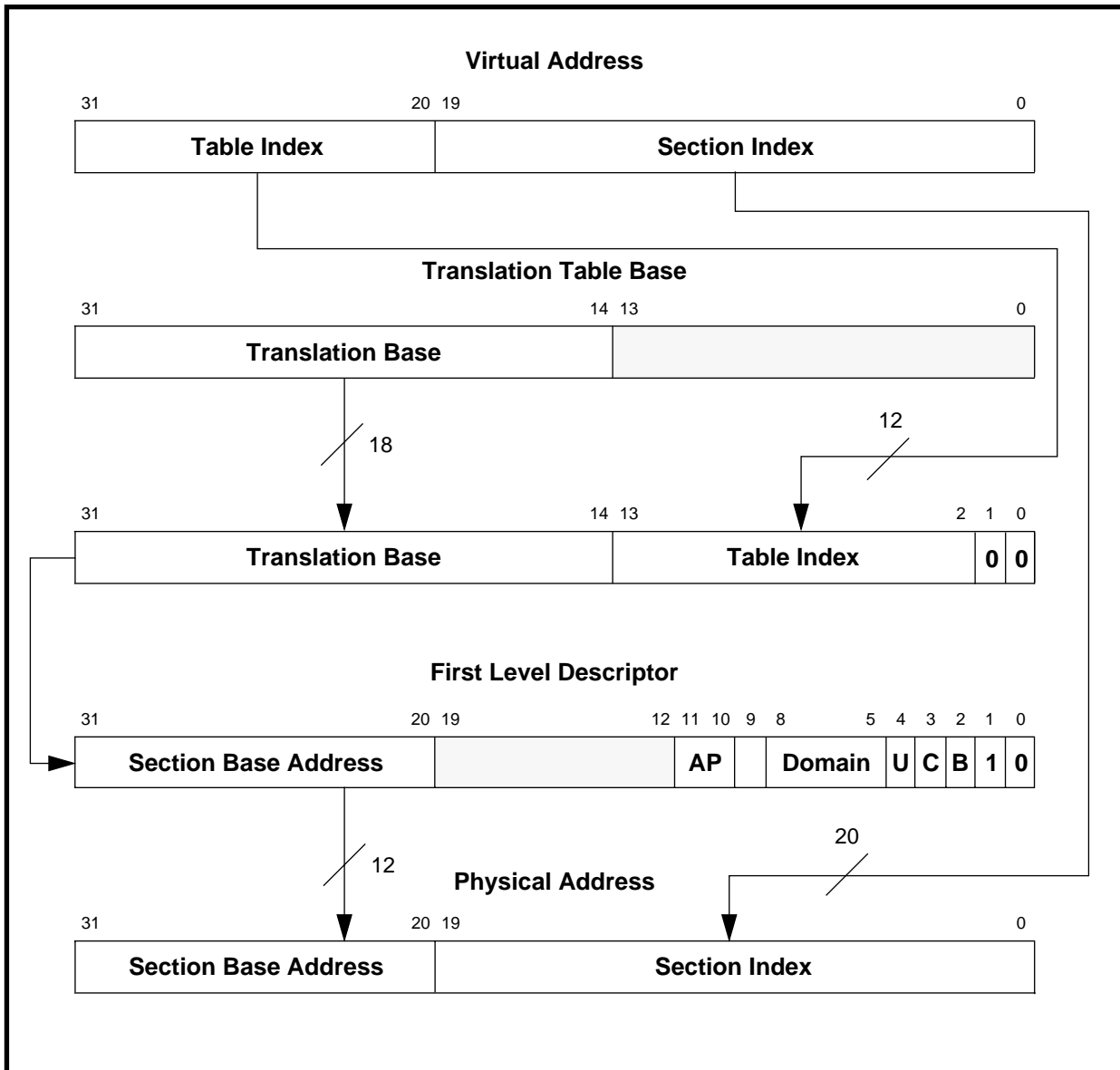


Figure 9-5: Section translation

9.9 Level Two Descriptor

If the Level One fetch returns a Page Table Descriptor, this provides the base address of the page table to be used. The page table is then accessed as described in [Figure 9-7: Small page translation](#) on page 9-10, and a Page Table Entry, or Level Two Descriptor, is returned. This in turn may define either a Small Page or a Large Page access. The figure below shows the format of Level Two Descriptors.

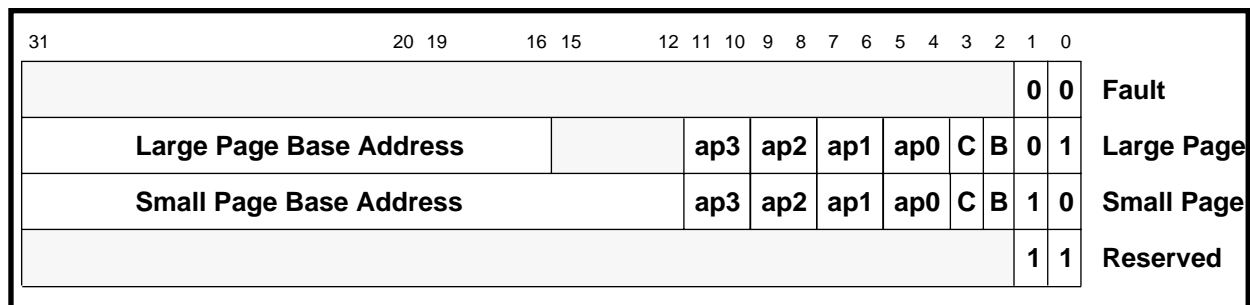


Figure 9-6: Page Table Entry (Level Two descriptor)

The two least significant bits indicate the page size and validity, and are interpreted as follows.

Value	Meaning	Notes
0 0	Invalid	Generates a Page Translation Fault
0 1	Large Page	Indicates that this is a 64Kb Page
1 0	Small Page	Indicates that this is a 4 Kb Page
1 1	Reserved	Reserved for future use

Table 9-3: Interpreting page table entry bits 1:0

Bit 2 B - Bufferable: indicates that data at this address will be written through the write buffer (if the write buffer is enabled).

Bit 3 C - Cacheable: indicates that data at this address will be placed in the IDC (if the cache is enabled).

Bits 11:4 specify the access permissions (ap3 - ap0) for the four sub-pages and interpretation of these bits is described earlier in [Table 9-1: Interpreting Level One Descriptor Bits \[1:0\]](#) on page 9-6.

For large pages, **bits 15:12** are programmed as 0

Bits 31:12 (small pages) or **bits 31:16** (large pages) are used to form the corresponding bits of the physical address - the physical page number. (The page index is derived from the virtual address as illustrated in [Figure 9-7: Small page translation](#) on page 9-10 and [Figure 9-8: Large page translation](#) on page 9-11).

Memory Management Unit

9.10 Translating Small Page References

Figure 9-7: *Small page translation* illustrates the complete translation sequence for a 4Kb Small Page. Page translation involves one additional step beyond that of a section translation: the Level One descriptor is the Page Table descriptor, and this is used to point to the Level Two descriptor, or Page Table Entry. (Note that the access permissions are now contained in the Level Two descriptor and must be checked before the physical address is generated. The sequence for checking access permissions is described later.)

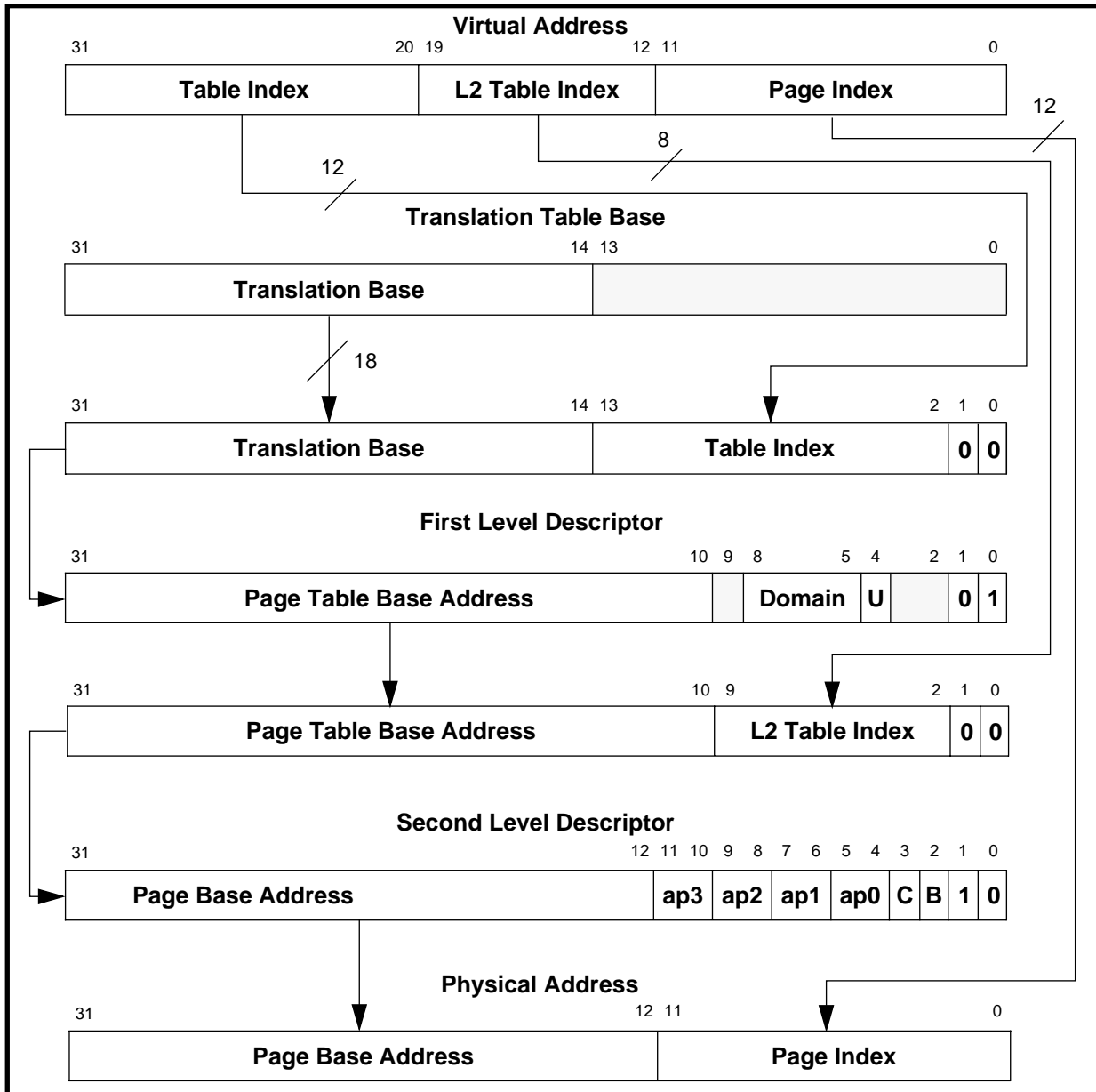


Figure 9-7: *Small page translation*

9.11 Translating Large Page References

Figure 9-8: Large page translation illustrates the complete translation sequence for a 64Kb Large Page. Note that since the upper four bits of the Page Index and low-order four bits of the Page Table index overlap, each Page Table Entry for a Large Page must be duplicated 16 times (in consecutive memory locations) in the Page Table.

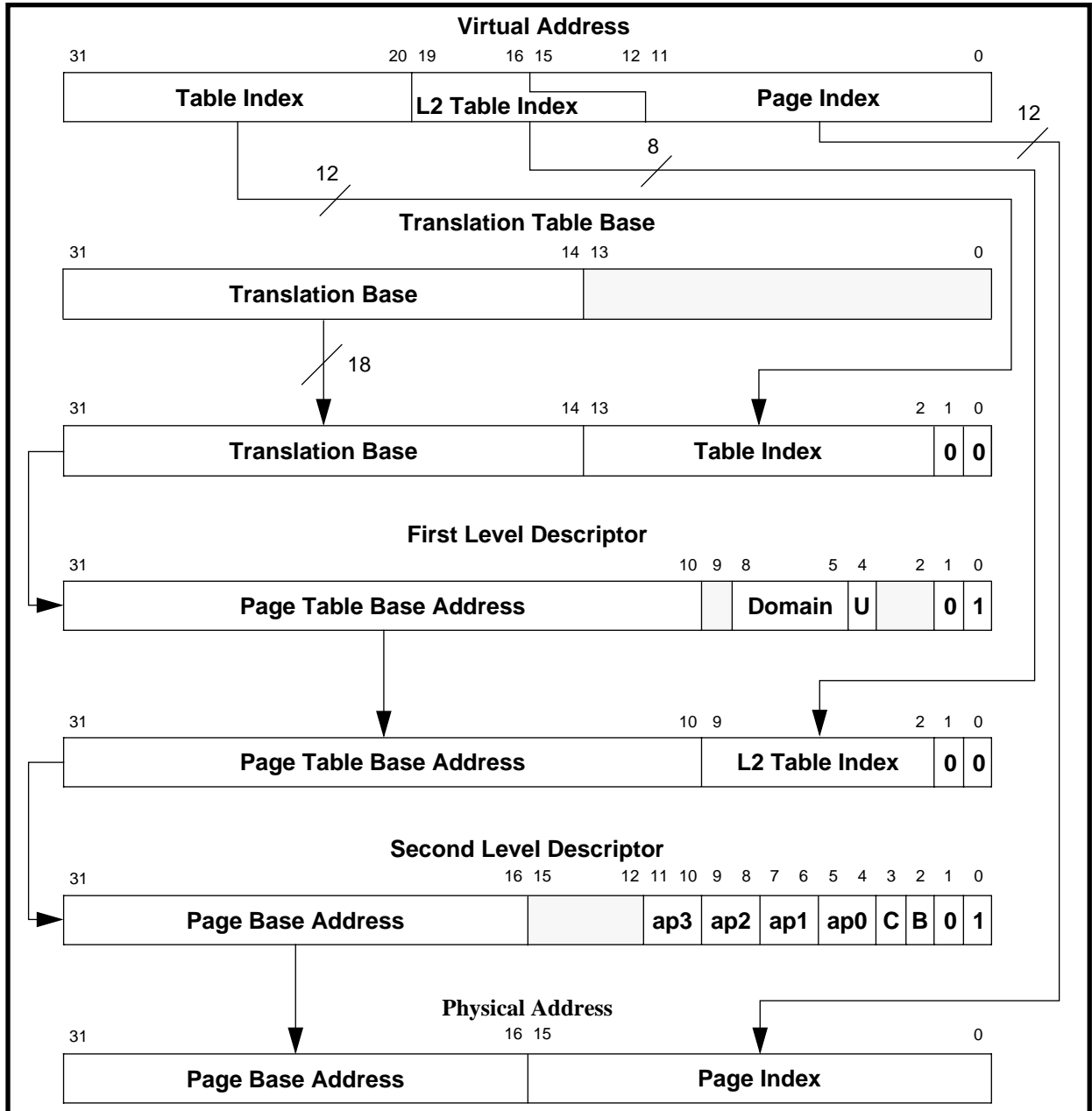


Figure 9-8: Large page translation

Memory Management Unit

9.12 MMU Faults and CPU Aborts

The MMU generates four types of faults:

- Alignment
- Translation
- Domain
- Permission

In addition, an external abort may be raised on external data access.

The access control mechanisms of the MMU detect the conditions that produce these faults. If a fault is detected as the result of a memory access, the MMU will abort the access and signal the fault condition to the CPU. The MMU is also capable of retaining status and address information about the abort. The CPU recognises two types of abort: data aborts and prefetch aborts, and these are treated differently by the MMU.

If the MMU detects an access violation, it will do so before the external memory access takes place, and it will therefore inhibit the access. External aborts will not necessarily inhibit the external access, as described in the section on external aborts.

9.13 Fault Address and Fault Status Registers (FAR and FSR)

Aborts resulting from data accesses (data aborts) are acted upon by the CPU immediately, and the MMU places an encoded 4-bit value FS[3:0], along with the 4-bit encoded Domain number, in the Fault Status Register (FSR). In addition, the virtual processor address which caused the data abort is latched into the Fault Address Register (FAR). If an access violation simultaneously generates more than one source of abort, they are encoded in the priority given in [Table 9-4: Priority encoding of fault status](#).

CPU instructions on the other hand are prefetched, so a prefetch abort simply flags the instruction as it enters the instruction pipeline. Only when (and if) the instruction is executed does it cause an abort; an abort is not acted upon if the instruction is not used (ie. it is branched around). Because instruction prefetch aborts may or may not be acted upon, the MMU status information is not preserved for the resulting CPU abort; for a prefetch abort, the MMU does not update the FSR or FAR.

The sections that follow describe the various access permissions and controls supported by the MMU and detail how these are interpreted to generate faults.

Source	FS[3210]	Domain[3:0]	FAR
Highest Write Buffer	00x0	x	Note 3
Bus Error (linefetch) Section	0100	valid	Note 4
Page	0110	valid	valid
Bus Error (other) Section	1000	valid	valid

Table 9-4: Priority encoding of fault status

Memory Management Unit

Source		FS[32:10]	Domain[3:0]	FAR
	Page	1010	valid	valid
Alignment		00x1	x	valid
Bus Error (translation)	Level1	1100	x	valid
	Level2	1110	valid	valid
Translation	Section	0101	Note 2	valid
	Page	0111	valid	valid
Domain	Section	1001	valid	valid
	Page	1011	valid	valid
Permission	Section	1101	valid	valid
	Page	1111	valid	valid

Lowest

Table 9-4: Priority encoding of fault status (Continued)

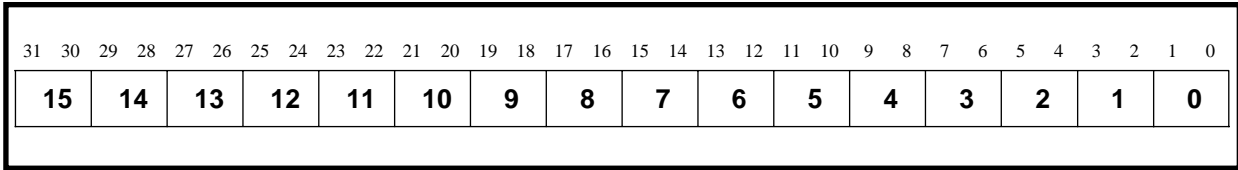
x is undefined: may read as 0 or 1

Notes:

- 1 Any abort masked by the priority encoding may be regenerated by fixing the primary abort and restarting the instruction.
- 2 In fact this register will contain bits[8:5] of the Level 1 entry which are undefined, but would encode the domain in a valid entry.
- 3 The Write Buffer Bus Error is asynchronous and not restartable. The Fault Address Register reflects the first data operation that could be aborted. The areas of memory which generate external aborts should not be marked as bufferable.
- 4 The entry will be valid if the error was flagged on word 0 of the linefetch. Otherwise the domain and FAR may be invalid and the cache line may contain invalid data.

Memory Management Unit

9.14 Domain Access Control

MMU accesses are primarily controlled via domains. There are 16 domains, and each has a 2-bit field to define it. Two basic kinds of users are supported: Clients and Managers. Clients use a domain; Managers control the behaviour of the domain. The domains are defined in the Domain Access Control Register.  *Figure 9-9: Domain access control register format* illustrates how the 32 bits of the register are allocated to define the sixteen 2-bit domains.

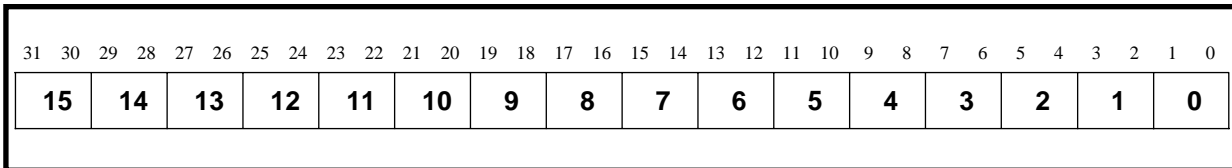
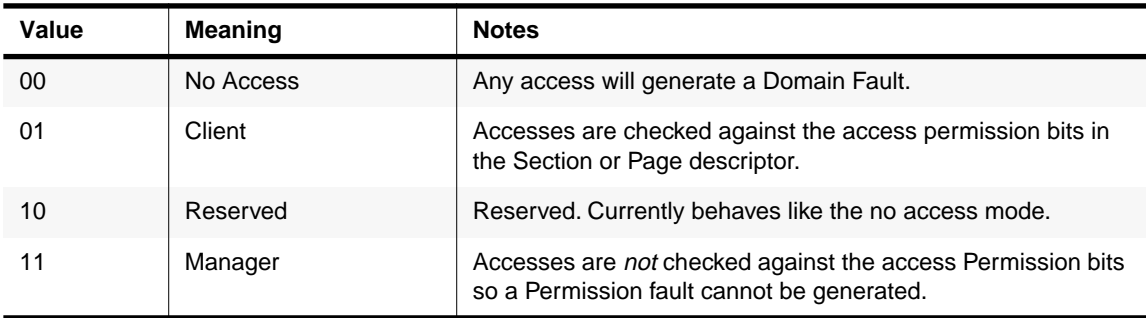


Figure 9-9: Domain access control register format

 *Table 9-5: Interpreting access bits in domain access control register* defines how the bits within each domain are interpreted to specify the access permissions.

Value	Meaning	Notes
00	No Access	Any access will generate a Domain Fault.
01	Client	Accesses are checked against the access permission bits in the Section or Page descriptor.
10	Reserved	Reserved. Currently behaves like the no access mode.
11	Manager	Accesses are <i>not</i> checked against the access Permission bits so a Permission fault cannot be generated.

Table 9-5: Interpreting access bits in domain access control register

9.15 Fault Checking Sequence

The sequence by which the MMU checks for access faults is slightly different for Sections and Pages. The figure below illustrates the sequence for both types of accesses. The sections and figures that follow describe the conditions that generate each of the faults.

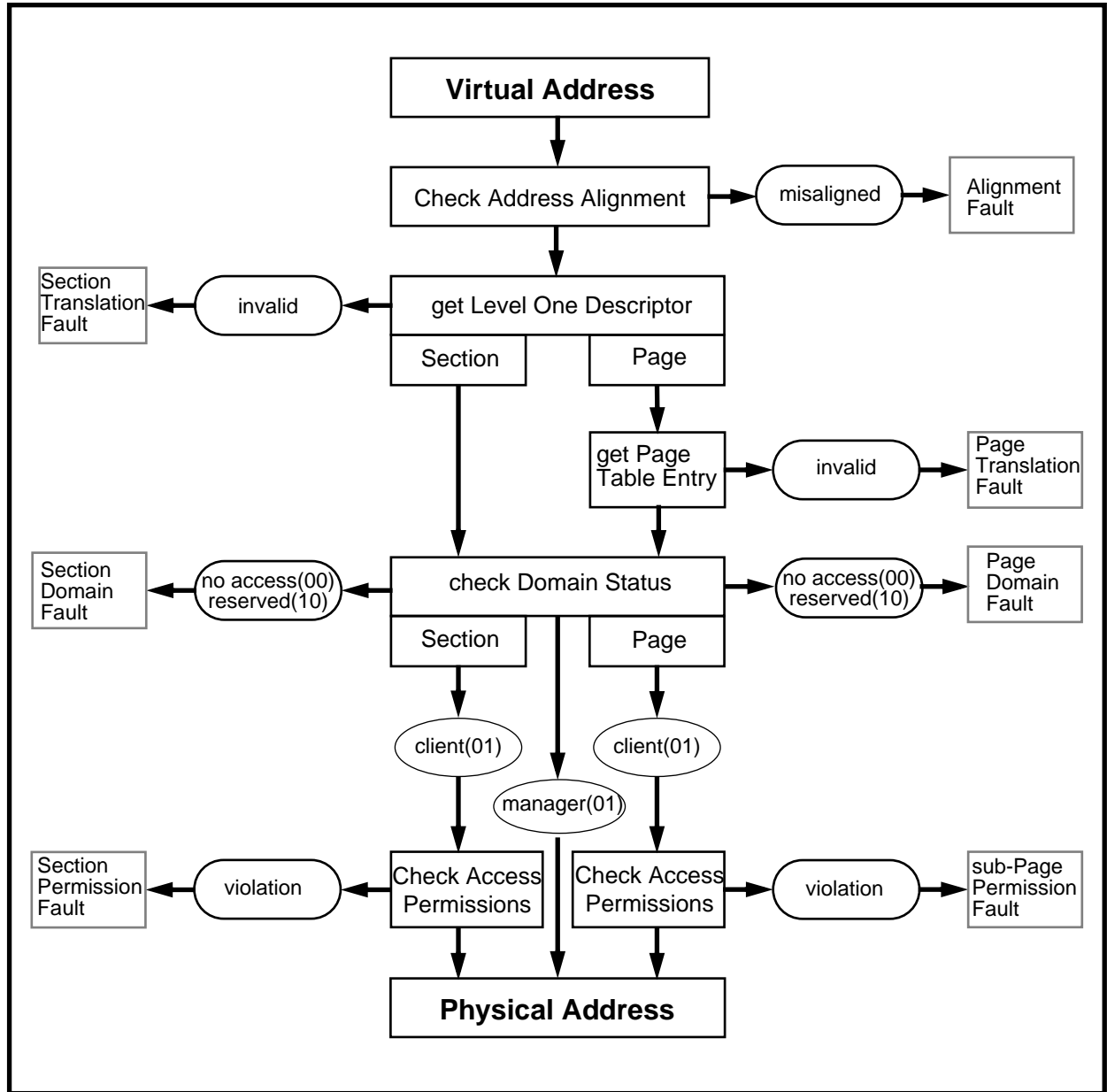


Figure 9-10: Sequence for checking faults

Memory Management Unit

9.15.1 Alignment fault

If Alignment Fault is enabled (bit 1 in Control Register set), the MMU will generate an alignment fault on any data word access the address of which is not word-aligned irrespective of whether the MMU is enabled or not; in other words, if either of virtual address bits [1:0] are not 0. Alignment fault will not be generated on any instruction fetch, nor on any byte access. If the access generates an alignment fault, the access sequence will abort without reference to further permission checks.

9.15.2 Translation fault

There are two types of translation fault: section and page.

- 1 A Section Translation Fault is generated if the Level One descriptor is marked as invalid. This happens if bits [1:0] of the descriptor are both 0 or both 1.
- 2 A Page Translation Fault is generated if the Page Table Entry is marked as invalid. This happens if bits [1:0] of the entry are both 0 or both 1.

9.15.3 Domain fault

There are two types of domain fault: section and page. In both cases the Level One descriptor holds the 4-bit Domain field which selects one of the sixteen 2-bit domains in the Domain Access Control Register. The two bits of the specified domain are then checked for access permissions as detailed in [Table 9-2: Interpreting access permission \(AP\) Bits](#) on page 9-7. In the case of a section, the domain is checked once the Level One descriptor is returned, and in the case of a page, the domain is checked once the Page Table Entry is returned.

If the specified access is either No Access (00) or Reserved (10) then either a Section Domain Fault or Page Domain Fault occurs.

9.15.4 Permission fault

There are two types of permission fault: section and sub-page. Permission fault is checked at the same time as Domain fault. If the 2-bit domain field returns client (01), then the permission access check is invoked as follows:

section

If the Level One descriptor defines a section-mapped access, then the AP bits of the descriptor define whether or not the access is allowed according to [Table 9-2: Interpreting access permission \(AP\) Bits](#) on page 9-7. Their interpretation is dependent upon the setting of the S bit (Control Register bit 8). If the access is not allowed, then a Section Permission fault is generated.

sub-page

If the Level One descriptor defines a page-mapped access, then the Level Two descriptor specifies four access permission fields (ap3..ap0) each corresponding to one quarter of the page. Hence for small pages, ap3 is selected by the top 1Kb of the page, and ap0 is selected by the bottom 1Kb of the page; for large pages, ap3 is selected by the top 16Kb of the page, and ap0 is selected by the bottom 16Kb of the page. The selected AP bits are then

interpreted in exactly the same way as for a section (see [Table 9-2: Interpreting access permission \(AP\) Bits](#) on page 9-7), the only difference being that the fault generated is a sub-page permission fault.

9.16 External Aborts

In addition to the MMU-generated aborts, ARM610 has an external abort pin which may be used to flag an error on an external memory access. However, some accesses aborted in this way are not restartable, so this pin must be used with great care. The following section describes the restrictions.

The following accesses may be aborted and restarted safely. If any of the following are aborted the external access will cease on the next cycle. In the case of a read-lock-write sequence in which the read aborts, the write will not happen.

- Uncacheable reads
- Unbuffered writes
- Level One descriptor fetch
- Level Two descriptor fetch
- read-lock-write sequence

Cacheable reads (linefetches)

A linefetch may be aborted safely provided the abort is flagged on word 0. In this case, the IDC will not be updated or corrupted and the access will be restartable. It is not advisable to flag an abort on any word other than word 0 of a linefetch, as the IDC will contain a corrupt line, and the instruction may not be restartable. On the external bus, an externally aborted linefetch will continue to the end as though it had not aborted.

Buffered writes

Buffered writes cannot be safely externally aborted. Because the processor will have moved on before the external abort is received, this class of abort is not restartable. If the system does flag this type of abort, then the Fault Status Register will record the fact, but this is a non-recoverable error, and the machine must be reset. Therefore, the system should be configured such that it does not do buffered writes to areas of memory which are capable of flagging an external abort. If a buffered write burst is externally aborted, then the external write will continue to the end.

Memory Management Unit

9.17 Interaction of the MMU, IDC and Write Buffer

The MMU, IDC and WB may be enabled/disabled independently. However there are only five valid combinations. There are no hardware interlocks on these restrictions, so invalid combinations will cause undefined results.

MMU	IDC	WB
off	off	off
on	off	off
on	on	off
on	off	on
on	on	on

Figure 9-11: Valid MMU, IDC and write buffer combinations

The following procedures must be observed.

To enable the MMU

- 1 Program the Translation Table Base and Domain Access Control Registers
- 2 Program Level 1 and Level 2 page tables as required
- 3 Enable the MMU by setting bit 0 in the Control Register

Note Care must be taken if the translated address differs from the untranslated address, as the two instructions following the enabling of the MMU will have been fetched using “flat translation” and enabling the MMU may be considered as a branch with delayed execution. A similar situation occurs when the MMU is disabled. Consider the following code sequence:

```
MOV R1, #0x1
MCR 15,0,R1,0,0      ; Enable MMU
Fetch Flat
Fetch Flat
Fetch Translated
```

To disable the MMU

- 1 Disable the WB by clearing bit 3 in the Control Register.
- 2 Disable the IDC by clearing bit 2 in the Control Register.
- 3 Disable the MMU by clearing bit 0 in the Control Register.

Note *If the MMU is enabled, then disabled and subsequently re-enabled, the contents of the TLB will have been preserved. If these are now invalid, the TLB should be flushed before re-enabling the MMU.*

All three functions may be disabled simultaneously.

9.18 Effect of Reset

See [3.6 Reset](#) on page 3-10.

Memory Management Unit



10

Bus interface

This chapter describes the ARM610 bus interface.

10.1	Introduction	10-2
10.2	ARM610 Cycle Speed	10-2
10.3	Cycle Types	10-2
10.4	Memory Access	10-2
10.5	Read/Write	10-3
10.6	Byte/Word	10-3
10.7	Maximum Sequential Length	10-3
10.8	Memory Access Types	10-5
10.9	ARM610 Cycle Type Summary	10-9

Bus interface

10.1 Introduction

The ARM610 has two input clocks: **FCLK** and **MCLK**. The bus interface is always controlled by **MCLK**. The core CPU switches between these two clocks according to the operation being carried out. For example, if the core CPU is reading data from the cache it will be clocked by **FCLK**, whereas if it is reading data from uncached external memory it will be clocked by **MCLK**. The ARM610 control logic ensures that the correct clock is used internally and automatically switches between the two clocks.

The ARM610 bus interface is designed to operate in synchronous mode. In this mode, there is a tightly defined relationship between **FCLK** and **MCLK**. **MCLK** may only make transitions on the falling edge of **FCLK**. An amount of jitter between the two clocks is permitted, and the device will function correctly, but **MCLK** must not be later than **FCLK**. Refer to [13.2 Relationship between FCLK and MCLK](#) on page 13-2.

10.2 ARM610 Cycle Speed

The bus interface is controlled by **MCLK**, and all timing parameters are referenced with respect to this clock. The speed of the memory may be controlled in one of two ways.

- 1 The LOW and HIGH phases of the clock may be stretched.
- 2 **nWAIT** can be used to insert entire **MCLK** cycles into the access. When LOW, this signal maintains the LOW phase of the cycle by gating out **MCLK**. **nWAIT** may only change when **MCLK** is LOW.

10.3 Cycle Types

There are two basic cycle types performed by an ARM610. These are *idle* cycles and *memory* cycles. Idle cycles and memory cycles are combined to perform memory accesses. The two cycle types are differentiated by the signal **nMREQ**. (**SEQ** is the inverse of **nMREQ**, and is provided for backwards compatibility with earlier memory controllers). **nMREQ** HIGH indicates an idle cycle, and **nMREQ** LOW indicates a memory access. However, **nMREQ** is pipelined, so that its value determines the type of the following cycle. **nMREQ** becomes valid during the LOW phase of the cycle before the one to which it refers.

The address from ARM610 becomes valid during the HIGH phase of **MCLK**. It is also pipelined, and its value refers to the following memory access.

10.4 Memory Access

There are two types of memory access. These are *nonsequential* and *sequential*. The nonsequential cycles occur when a new memory access takes place. A sequential cycle occurs when:

- the cycle is of the same type as the previous cycle
- the address is one word (four bytes) greater than the previous access

So for example, a single word access consists of a nonsequential access, and a two-word access consists of a nonsequential access followed by a sequential access.

Nonsequential accesses consist of an idle cycle followed by a memory cycle, and sequential accesses consist simply of a memory cycle. In the case of a nonsequential access, the address is valid throughout the idle cycle, allowing extra time for memory decoding.

10.5 Read/Write

Memory accesses may be read or write, differentiated by the signal **nRW**. This signal has the same timing as the address, so is likewise pipelined, and refers to the following cycle. In the case of a write, the ARM610 outputs data on the data bus during the memory cycle. It becomes valid during **MCLK LOW**, and is held until the end of the cycle. In the case of a read, data is sampled at the end of the memory cycle. **nRW** may not change during a sequential access, so if a read from address A is followed immediately by a write to address (A+4), the write to address (A+4) will be a nonsequential access.

10.6 Byte/Word

Likewise, any memory access may be of a word or a byte quantity. These are differentiated by the signal **nBW**, which also has the same timing as the address, ie. it becomes valid in the HIGH phase of **MCLK** in the cycle before the one to which it refers. **nBW LOW** indicates a byte access. Again, **nBW** may not change during sequential accesses.

10.7 Maximum Sequential Length

As explained above, the ARM610 will perform sequential memory accesses whenever the cycle is of the same type (ie byte/word, read/write) as the previous cycle, and the addresses are consecutive. However, sequential accesses are interrupted on a 256 word boundary. This is to allow the MMU to check the translation protection as the address crosses a sub-page boundary. If a sequential access is performed over a 256 word boundary, the access to word 256 is simply turned into a nonsequential access, and then further accesses continue sequentially as before.

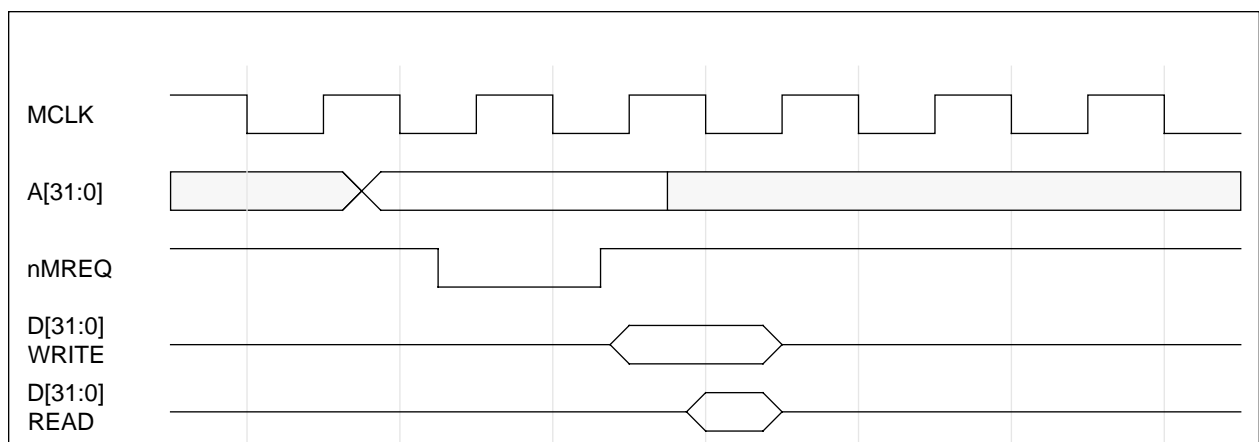


Figure 10-1: One word read or write

Bus interface

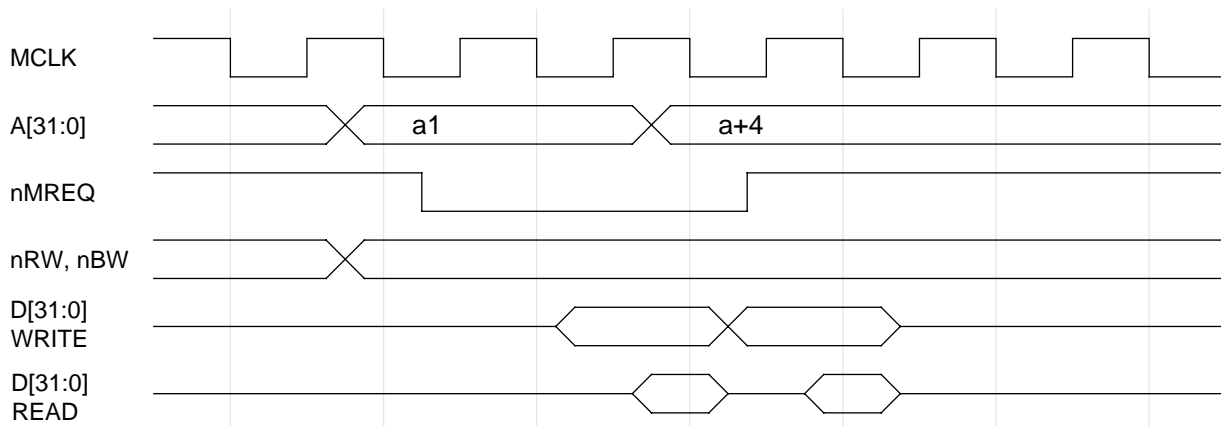


Figure 10-2: Two word sequential read or write

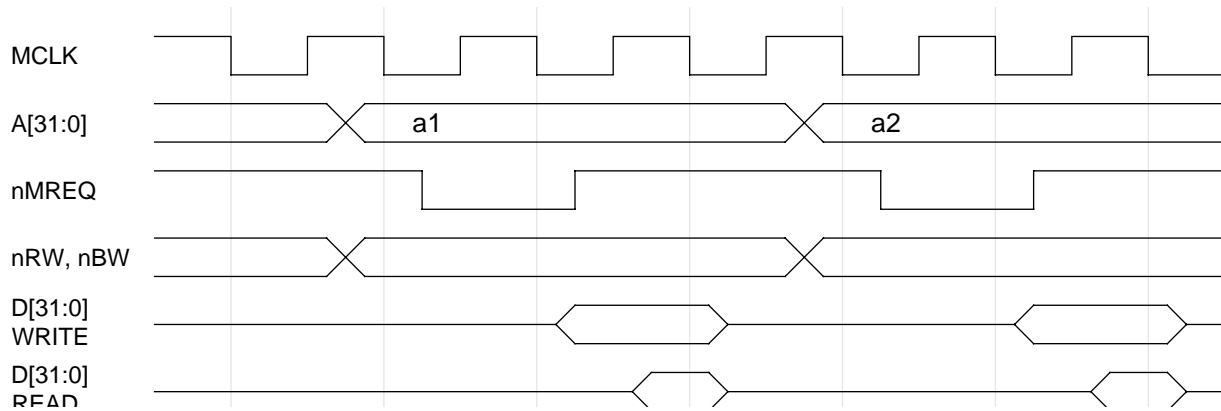


Figure 10-3: Two word nonsequential unbuffered accesses

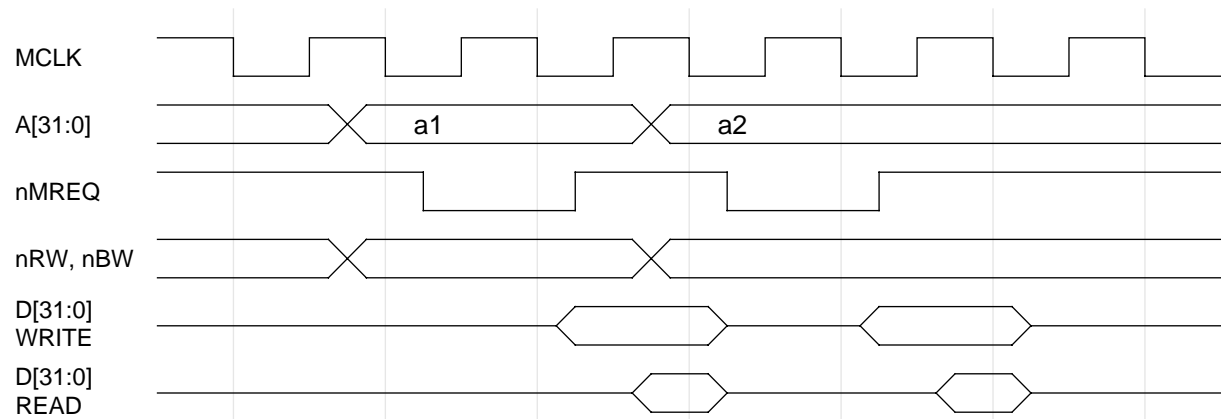


Figure 10-4: Two word nonsequential buffered writes

10.8 Memory Access Types

ARM610 performs many different bus accesses, and all are constructed out of combinations of nonsequential and sequential accesses. There may be any number of idle cycles between two other memory accesses. If a memory access is followed by an idle period on the bus (as opposed to another nonsequential access), the address, and the signal **nRW** and **nBW**, will remain at their previous value in order to avoid unnecessary bus transitions.

The accesses performed by an ARM610 are:

Unbuffered Write	See 10.8.1 Unbuffered Writes / Uncacheable Reads
Buffered Write	See 10.8.2 Buffered Write
Linefetch	See 10.8.3 Linefetch
Level 1 translation fetch	See 10.8.4 Translation Fetches
Level 2 translation fetch	See 10.8.4 Translation Fetches
Read-Lock-Write sequence	See 10.8.5 Read - Lock - Write

10.8.1 Unbuffered Writes / Uncacheable Reads

These are the most basic access types. Apart from the difference between read and write, they are the same. Each may consist of a single (LDR/STR) or multiple (LDM/STM) access. A multiple access consists of a nonsequential access followed by a sequential access. These cycles always reflect the type of the instruction requesting the cycle (ie. read/write, byte/word).

10.8.2 Buffered Write

The external bus cycle of a buffered write is identical to and indistinguishable from the bus cycle of an unbuffered write. These cycles always reflect the type (byte/word) of the instruction requesting the cycle. If several write accesses are stored concurrently within the write buffer, each access on the bus will start with a nonsequential access.

10.8.3 Linefetch

This appears on the bus as a nonsequential access followed by three sequential accesses. Linefetch accesses always start on a quad-word boundary, and are always word accesses. So if the instruction which caused the linefetch was a byte load instruction (ie. LDRB), the linefetch access will be a word access on the bus.

Bus interface

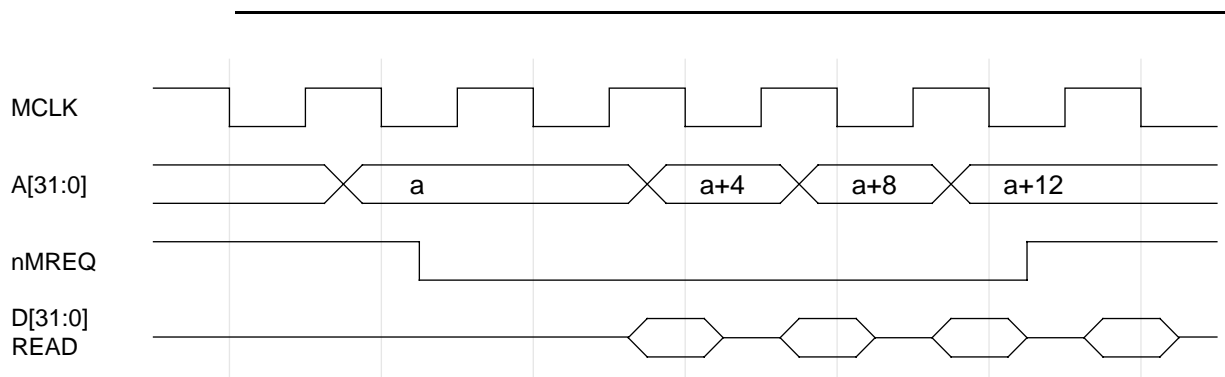


Figure 10-5: Linefetch

10.8.4 Translation Fetches

These accesses are required to obtain the translation data for an access. There are two types:

- Level 1 A Level 1 access is required for a section-mapped memory location.
- Level 2 A Level 2 access is required for a page mapped memory location. A Level 2 access is always preceded by a Level 1 access.

Translation fetches are often immediately followed by a data access. In fact the translation fetch held up the data access because the translation was not contained in the Translation Lookaside Buffer (TLB). Translation fetches are always read word accesses. So if a byte or write (or both) access is not possible because the address is not contained in the TLB, the access would be preceded by the translation fetch(es), which will always be word read accesses.

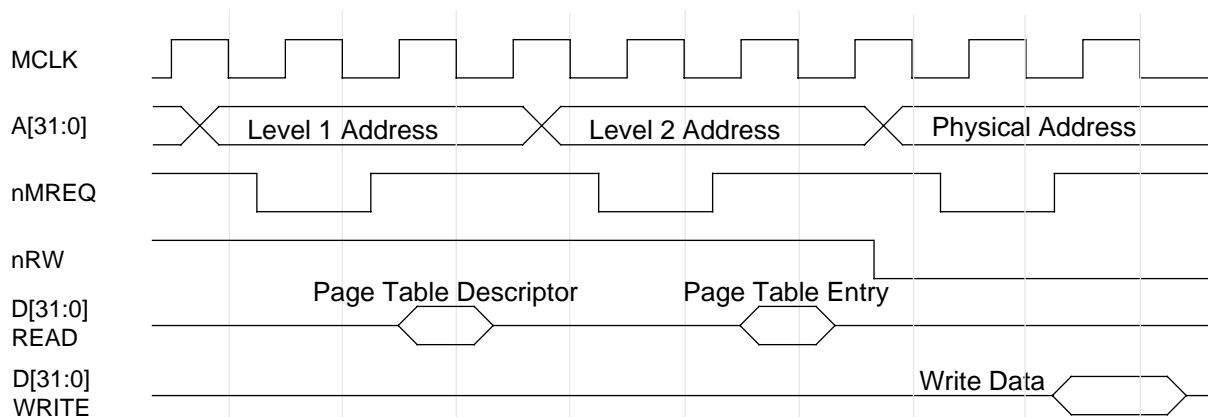


Figure 10-6: Translation table-walking sequence (write) for page

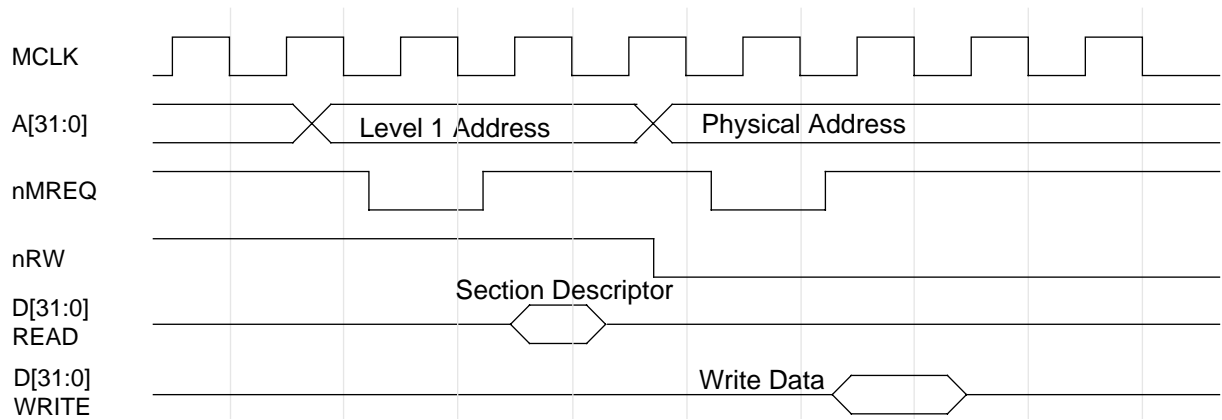


Figure 10-7: Translation table-walking sequence (write) for section

10.8.5 Read - Lock - Write

The read-lock-write sequence is generated by a SWP instruction. On the bus it consists of a read access followed by a write access to the same address, and both are treated as nonsequential accesses. The cycle is differentiated by the **LOCK** signal. **LOCK** has the timing of address, ie. it goes HIGH in the HIGH phase of **MCLK** at the start of the read access. However, it always goes LOW at the end of the write access, even if the following cycle is an idle cycle (unless of course the following access was a read-lock-write sequence).

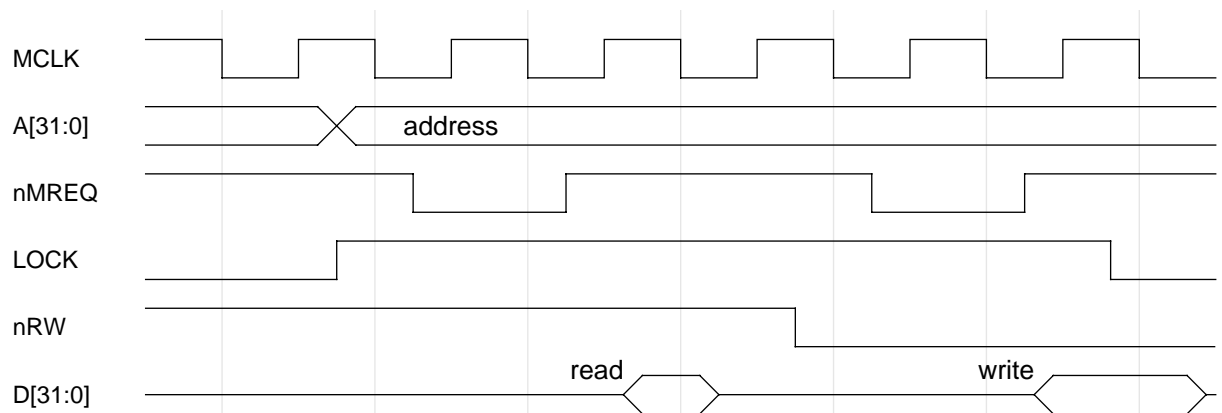


Figure 10-8: Read - locked - write

Bus interface

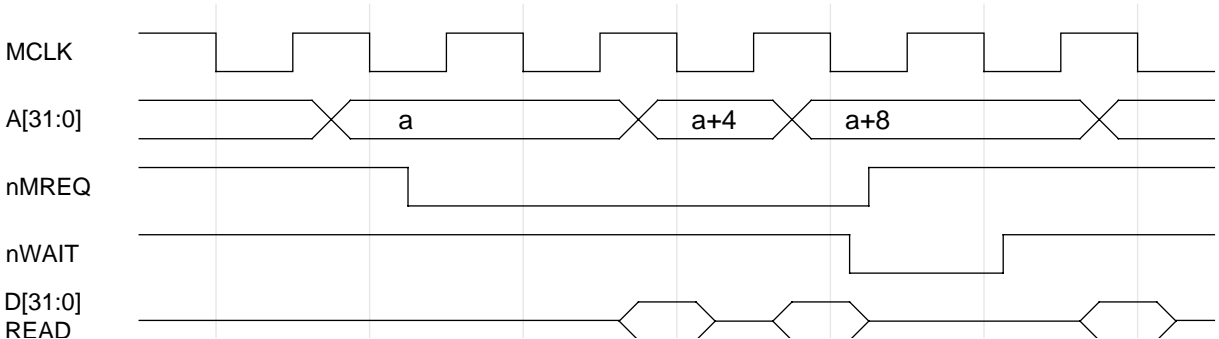


Figure 10-9: Use of nWAIT pin to stop ARM610 for 1 MCLK cycle



10.9 ARM610 Cycle Type Summary

Operation	nRW	A[31:0]	nMREQ	D[31:0]	
Idle	old	old	i		
Linefetch	r	a	i		
	r	a	m		
	r	a+4	m	d	
	r	a+8	m	d	
	r	a+12	m	d	
	r	a+16	m	d	
	r	a+20	m	d	
	r	a+24	m	d	
	r	a+28	m	d	
	r	a+12	i	d	
Uncacheable Read / Unbuffered Write	r/w	a	i		
	r/w	a	m	d	
	Repeat	a+n	m	d	
End	r/w	old	i		
Buffered Write	w	a	i		
	w	a	m	d	
Read-Lock-Write	More	a+n	m	d	
	Read phase	r	aL	i	
		r	aL	m	
		r	aL	i	d
	Write phase - Unbuffered	w	aL	i	
		w	aL	m	
		w	aL	i	d
Write phase - Buffered	w	aL	i		
	w	aL	m	d	
Write phase - Aborted	w	aL	i		
	w	aL	i		

Table 10-1: Cycle type summary

Bus interface

Key to Cycle Type Summary

r	Read (nRW LOW)
r/w	applies equally to Read and Write
w	Write (nRW HIGH)
old	signal remains at previous value
a	first Address
a+n	next sequential address
aL	Read-Lock-Write Address
i	Idle cycle (nMREQ HIGH)
m	Memory cycle (nMREQ LOW)
d	valid data on data bus

Each line *Table 10-1: Cycle type summary* shows the state of the bus interface during a single **MCLK** cycle. It illustrates the pipelining of **nMREQ** and the address. Each Operation Type section shows the sequence of cycles which make up that type of access, with each line down the diagram showing successive clock cycles.

The Uncached Read / Unbuffered Write is shown in three sections. The start and end are always present, with the Repeat section repeated as many times as required when a multiple access is being performed.

Buffered Writes are also of variable length and consist of the Start section plus as many consecutive Repeat sections as are necessary.

A swap instruction consists of the Read phase, followed by one of the three possible Write phases.

Activity on the memory interface is the succession of these access sequences.



11

Boundary-Scan Test Interface

This chapter describes the ARM610 boundary-scan test interface.

11.1	Introduction	11-2
11.2	Overview	11-2
11.3	Reset	11-3
11.4	Pullup Resistors	11-3
11.5	Instruction Register	11-3
11.6	Public Instructions	11-3
11.7	Test Data Registers	11-7
11.8	Boundary-Scan Interface Signals	11-10

Boundary-Scan Test Interface

11.1 Introduction

The boundary-scan interface conforms to IEEE Std. 1149.1- 1990, *Standard Test Access Port and Boundary-Scan Architecture*. Please refer to this for an explanation of the terms used in this section and for a description of the TAP controller states.

11.2 Overview

The boundary-scan interface provides a means of testing the core of the device when it is fitted to a circuit board, and a means of driving and sampling all the external pins of the device irrespective of the core state. This latter function permits testing of both the device's electrical connections to the circuit board, and (in conjunction with other devices on the circuit board having a similar interface) testing the integrity of the circuit board connections between devices. The interface intercepts all external connections within the device, and each such "cell" is then connected together to form a serial register (the boundary-scan register). The whole interface is controlled via five dedicated pins: **TDI**, **TMS**, **TCK**, **nTRST** and **TDO**. *Figure 11-1: Test Access Port (TAP) controller state transitions* shows the state transitions that occur in the TAP controller.

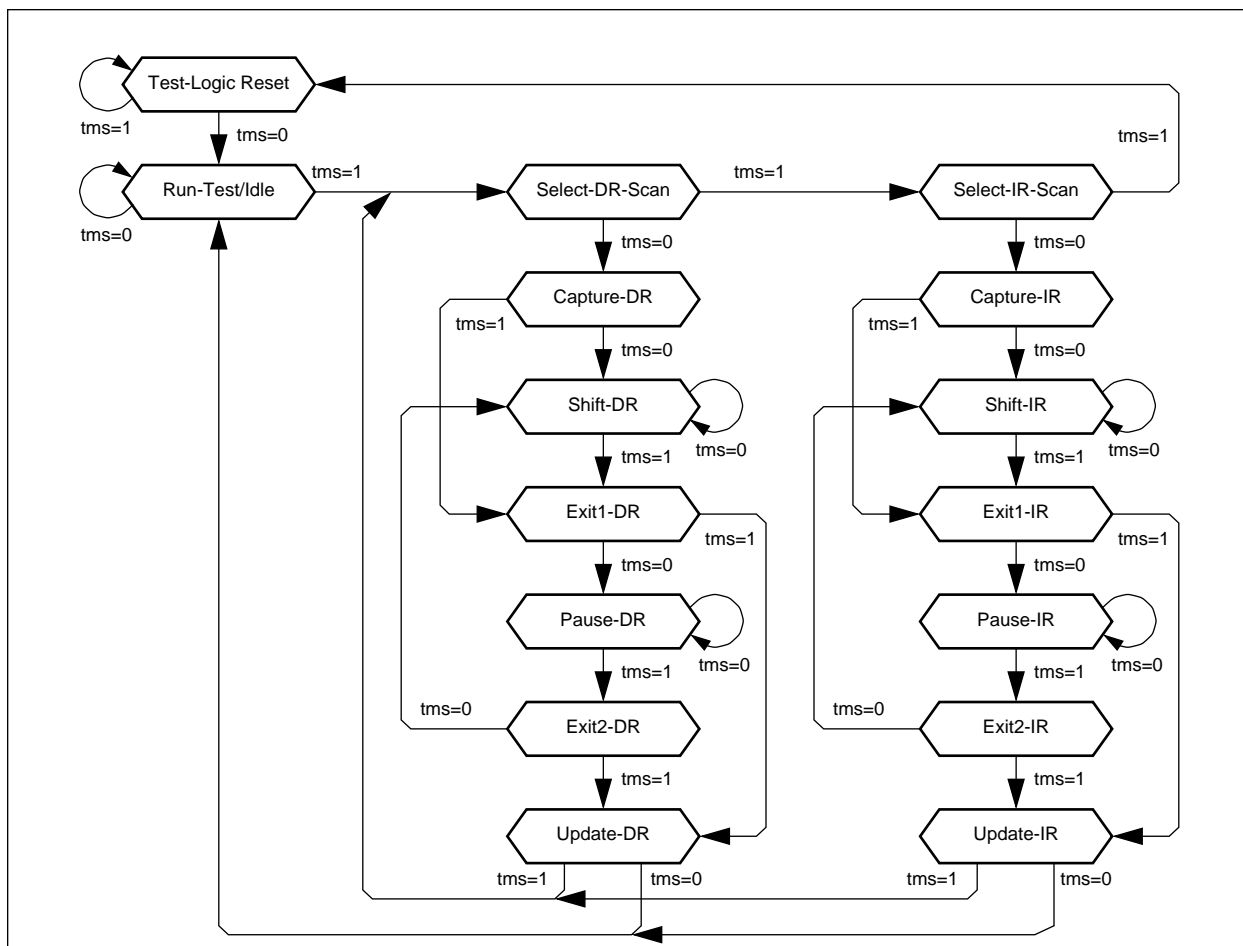


Figure 11-1: Test Access Port (TAP) controller state transitions

11.3 Reset

The boundary-scan interface includes a state-machine controller (the TAP controller). In order to force the TAP controller into the correct state after power-up of the device, a reset pulse must be applied to the **nTRST** pin. If the boundary-scan interface is to be used, **nTRST** must be driven LOW, and then HIGH again. If the boundary-scan interface is not to be used, the **nTRST** pin may be tied permanently LOW. A clock on **TCK** is not needed to reset the device.

The action of reset (either a pulse or a DC level) is as follows:

- System mode is selected (ie. the boundary-scan chain does *not* intercept any of the signals passing between the pads and the core).
- IDcode mode is selected. If **TCK** is pulsed, the contents of the ID register will be clocked out of **TDO**.

11.4 Pullup Resistors

The IEEE 1149.1 standard effectively requires that **TDI**, **TMS**, and **nTRST** should have internal pullup resistors. In order to allow ARM610 to consume zero static current, these resistors are *not* fitted to this device. Accordingly, the four inputs to the test interface (the above three signals plus **TCK**) must all be driven to good logic levels to achieve normal circuit operation.

11.5 Instruction Register

The instruction register is four bits in length.

There is no parity bit. The fixed value loaded into the instruction register during the CAPTURE-IR controller state is 0001.

11.6 Public Instructions

The following public instructions are supported:

Instruction	Binary Code
EXTEST	0000
SAMPLE/PRELOAD	0011
CLAMP	0101
HIGHZ	0111
CLAMPZ	1001
INTEST	1100
IDCODE	1110
BYPASS	1111

Table 11-1: Public instructions

Boundary-Scan Test Interface

In the descriptions that follow, **TDI** and **TMS** are sampled on the rising edge of **TCK** and all output transitions on **TDO** occur as a result of the falling edge of **TCK**.

11.6.1 EXTEST (0000)

The BS (boundary-scan) register is placed in test mode by the EXTEST instruction.

The EXTEST instruction connects the BS register between **TDI** and **TDO**.

When the instruction register is loaded with the EXTEST instruction, all the boundary-scan cells are placed in their test mode of operation.

In the CAPTURE-DR state, inputs from the system pins and outputs from the boundary-scan output cells to the system pins are captured by the boundary-scan cells. In the SHIFT-DR state, the previously captured test data is shifted out of the BS register via the **TDO** pin, while new test data is shifted in via the **TDI** pin to the BS register parallel input latch. In the UPDATE-DR state, the new test data is transferred into the BS register parallel output latch. This data is applied immediately to the system logic and system pins. The first EXTEST vector should be clocked into the boundary-scan register, using the SAMPLE/PRELOAD instruction, prior to selecting INTEST to ensure that known data is applied to the system logic.

11.6.2 SAMPLE/PRELOAD (0011)

The BS (boundary-scan) register is placed in normal (system) mode by the SAMPLE/PRELOAD instruction.

The SAMPLE/PRELOAD instruction connects the BS register between **TDI** and **TDO**.

When the instruction register is loaded with the SAMPLE/PRELOAD instruction, all the boundary-scan cells are placed in their normal system mode of operation.

In the CAPTURE-DR state, a snapshot of the signals at the boundary-scan cells is taken on the rising edge of **TCK**. Normal system operation is unaffected. In the SHIFT-DR state, the sampled test data is shifted out of the BS register via the **TDO** pin, while new data is shifted in via the **TDI** pin to preload the BS register parallel input latch. In the UPDATE-DR state, the preloaded data is transferred into the BS register parallel output latch. This data is not applied to the system logic or system pins while the SAMPLE/PRELOAD instruction is active. This instruction should be used to preload the boundary-scan register with known data prior to selecting the INTEST or EXTEST instructions (see the table below for appropriate guard values to be used for each boundary-scan cell).

11.6.3 CLAMP (0101)

The CLAMP instruction connects a 1-bit shift register (the BYPASS register) between **TDI** and **TDO**.

When the CLAMP instruction is loaded into the instruction register, the state of all output signals is defined by the values previously loaded into the boundary-scan register. A guarding pattern (specified for this device at the end of this section) should be pre-loaded into the boundary-scan register using the SAMPLE/PRELOAD instruction prior to selecting the CLAMP instruction.

In the CAPTURE-DR state, a logic 0 is captured by the bypass register. In the SHIFT-DR state, test data is shifted into the bypass register via **TDI** and out via **TDO** after a delay of one **TCK** cycle. The first bit shifted out will be a zero. The bypass register is not affected in the UPDATE-DR state.

11.6.4 HIGHZ (0111)

The HIGHZ instruction connects a 1-bit shift register (the BYPASS register) between **TDI** and **TDO**.

When the HIGHZ instruction is loaded into the instruction register, all outputs are placed in an inactive drive state.

In the CAPTURE-DR state, a logic 0 is captured by the bypass register. In the SHIFT-DR state, test data is shifted into the bypass register via **TDI** and out via **TDO** after a delay of one **TCK** cycle. The first bit shifted out will be a zero. The bypass register is not affected in the UPDATE-DR state.

11.6.5 CLAMPZ (1001)

The CLAMPZ instruction connects a 1-bit shift register (the BYPASS register) between **TDI** and **TDO**.

When the CLAMPZ instruction is loaded into the instruction register, all outputs are placed in an inactive drive state, but the data supplied to the disabled output drivers is derived from the boundary-scan cells. The purpose of this instruction is to ensure, during production testing, that each output driver can be disabled when its data input is either a 0 or a 1.

A guarding pattern (specified for this device at the end of this section) should be pre-loaded into the boundary-scan register using the SAMPLE/PRELOAD instruction prior to selecting the CLAMPZ instruction.

In the CAPTURE-DR state, a logic 0 is captured by the bypass register. In the SHIFT-DR state, test data is shifted into the bypass register via **TDI** and out via **TDO** after a delay of one **TCK** cycle. The first bit shifted out will be a zero. The bypass register is not affected in the UPDATE-DR state.

11.6.6 INTEST (1100)

The BS (boundary-scan) register is placed in test mode by the INTEST instruction.

The INTEST instruction connects the BS register between **TDI** and **TDO**.

When the instruction register is loaded with the INTEST instruction, all the boundary-scan cells are placed in their test mode of operation.

In the CAPTURE-DR state, the complement of the data supplied to the core logic from input boundary-scan cells is captured, while the true value of the data that is output from the core logic to output boundary-scan cells is captured. CAPTURE-DR captures the complemented value of the input cells for testability reasons.

Boundary-Scan Test Interface

In the SHIFT-DR state, the previously captured test data is shifted out of the BS register via the **TDO** pin, while new test data is shifted in via the **TDI** pin to the BS register parallel input latch. In the UPDATE-DR state, the new test data is transferred into the BS register parallel output latch. This data is applied immediately to the system logic and system pins. The first INTEST vector should be clocked into the boundary-scan register, using the SAMPLE/PRELOAD instruction, prior to selecting INTEST to ensure that known data is applied to the system logic.

Single-step operation is possible using the INTEST instruction.

11.6.7 IDCODE (1110)

The IDCODE instruction connects the device identification register (or ID register) between **TDI** and **TDO**. The ID register is a 32-bit register that allows the manufacturer, part number and version of a component to be determined through the TAP.

When the instruction register is loaded with the IDCODE instruction, all the boundary-scan cells are placed in their normal (system) mode of operation.

In the CAPTURE-DR state, the device identification code (specified at the end of this section) is captured by the ID register. In the SHIFT-DR state, the previously captured device identification code is shifted out of the ID register via the **TDO** pin, while data is shifted in via the **TDI** pin into the ID register. In the UPDATE-DR state, the ID register is unaffected.

11.6.8 BYPASS (1111)

The BYPASS instruction connects a 1-bit shift register (the BYPASS register) between **TDI** and **TDO**.

When the BYPASS instruction is loaded into the instruction register, all the boundary-scan cells are placed in their normal (system) mode of operation. This instruction has no effect on the system pins.

In the CAPTURE-DR state, a logic 0 is captured by the bypass register. In the SHIFT-DR state, test data is shifted into the bypass register via **TDI** and out via **TDO** after a delay of one **TCK** cycle. The first bit shifted out will be a zero. The bypass register is not affected in the UPDATE-DR state.

11.7 Test Data Registers

Figure 11-2: Boundary-scan block diagram illustrates the structure of the boundary-scan logic.

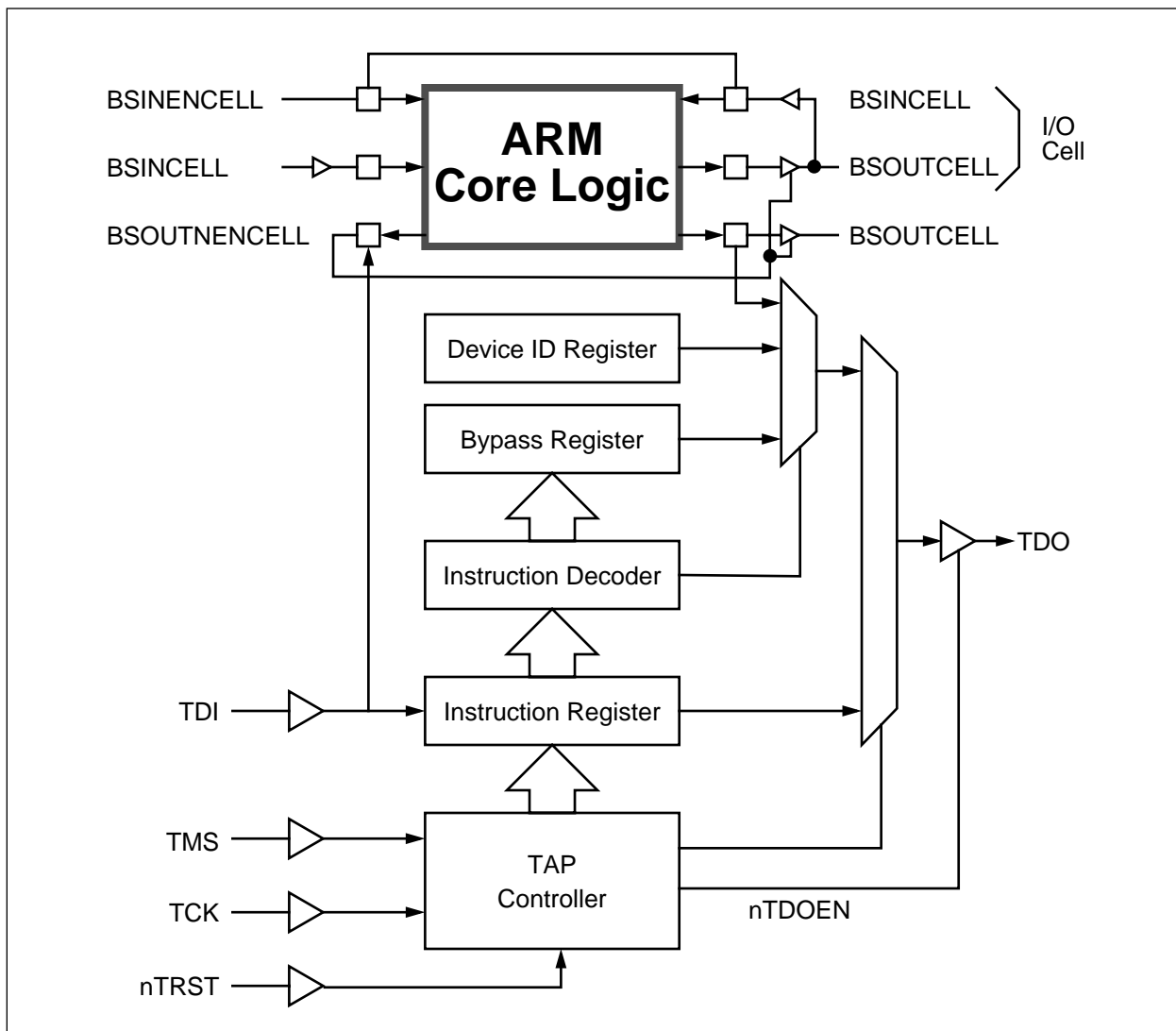


Figure 11-2: Boundary-scan block diagram

Boundary-Scan Test Interface

11.7.1 Bypass register

Purpose: This is a single bit register which can be selected as the path between **TDI** and **TDO** to allow the device to be bypassed during boundary-scan testing.

Length: 1 bit

Operating Mode: When the **BYPASS** instruction is the current instruction in the instruction register, serial data is transferred from **TDI** to **TDO** in the **SHIFT-DR** state with a delay of one **TCK** cycle.

There is no parallel output from the bypass register.

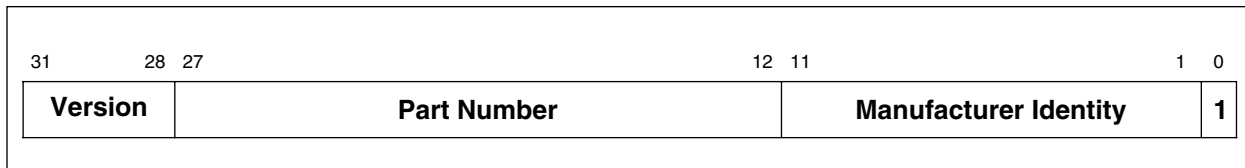
A logic 0 is loaded from the parallel input of the bypass register in the **CAPTURE-DR** state.

11.7.2 ARM610 Device Identification (ID) Code register

Purpose: This register is used to read the 32-bit device identification code. No programmable supplementary identification code is provided.

Length: 32 bits

The format of the ID register is as follows:



The Device Identification Code for the Zarlink P610ARM-B/KG/FPNR is 1 EA1D 06F.

Operating Mode: When the **IDCODE** instruction is current, the ID register is selected as the serial path between **TDI** and **TDO**.

There is no parallel output from the ID register.

The 32-bit device identification code is loaded into the ID register from its parallel inputs during the **CAPTURE-DR** state.

11.7.3 ARM610 Boundary-Scan (BS) register

Purpose: The BS register consists of a serially connected set of cells around the periphery of the device, at the interface between the core logic and the system input/output pads. This register can be used to isolate the core logic from the pins and then apply tests to the core logic, or conversely to isolate the pins from the core logic and then drive or monitor the system pins.

Operating modes: The BS register is selected as the register to be connected between **TDI** and **TDO** only during the **SAMPLE/PRELOAD**, **EXTEST** and **INTEST** instructions. Values in the BS register are used, but are not changed, during the **CLAMP** and **CLAMPZ** instructions.

In the normal (system) mode of operation, straight-through connections between the core logic and pins are maintained and normal system operation is unaffected.

In TEST mode (ie. when either EXTEST or INTEST is the currently selected instruction), values can be applied to the core logic or output pins independently of the actual values on the input pins and core logic outputs respectively. On the ARM610, all of the boundary-scan cells include an update register and thus all of the pins can be controlled in the above manner. Additional boundary-scan cells are interposed in the scan chain in order to control the enabling of tristateable buses.

The correspondence between boundary-scan cells and system pins, system direction controls and system output enables is as shown in [Table 11-3: Boundary-scan signals and pins](#) on page 11-12. The cells are listed in the order in which they are connected in the boundary-scan register, starting with the cell closest to **TDI**. All boundary-scan register cells at input pins can apply tests to the on-chip core logic.

The EXTEST guard values specified in [Table 11-3: Boundary-scan signals and pins](#) on page 11-12 should be clocked into the boundary-scan register (using the SAMPLE/PRELOAD instruction) before the EXTEST instruction is selected, to ensure that known data is applied to the core logic during the test. The INTEST guard values shown in the table below should be clocked into the boundary-scan register (using the SAMPLE/PRELOAD instruction) before the INTEST instruction is selected to ensure that all outputs are disabled. These guard values should also be used when new EXTEST or INTEST vectors are clocked into the boundary-scan register.

The values stored in the BS register after power-up are not defined. Similarly, the values previously clocked into the BS register are not guaranteed to be maintained across a Boundary-Scan reset (from forcing nTRST LOW or entering the Test Logic Reset state).

11.7.4 Output Enable Boundary-Scan cells

The boundary-scan register cells Nendout, Nabe, Ntbe, and Nmse control the output drivers of tristate outputs as shown in the table below. In the case of OUTEN0 enable cells (Nendout, Ntbe), loading a 1 into the cell will place the associated drivers into the tristate state, while in the case of type INEN1 enable cells (Nabe, Nmse), loading a 0 into the cell will tristate the associated drivers.

To put all ARM610 tristate outputs into their high impedance state, a logic 1 should be clocked into the output enable boundary-scan cells Nendout and Ntbe, and a logic 0 should be clocked into Nabe and Nmse. Alternatively, the HIGHZ instruction can be used.

If the on-chip core logic causes the drivers controlled by Nendout, for example, to be tristate, (ie. by driving the signal Nendout HIGH), then a 1 will be observed on this cell if the SAMPLE/PRELOAD or INTEST instructions are active.

11.7.5 Single-step operation

ARM610 is a static design and there is no minimum clock speed. It can therefore be single-stepped while the INTEST instruction is selected. This can be achieved by serialising a parallel stimulus and clocking the resulting serial vectors into the boundary-scan register. When the boundary-scan register is updated, new test stimuli are applied to the core logic inputs; the effect of these stimuli can then be observed on the core logic outputs by capturing them in the boundary-scan register.

Boundary-Scan Test Interface

11.8 Boundary-Scan Interface Signals

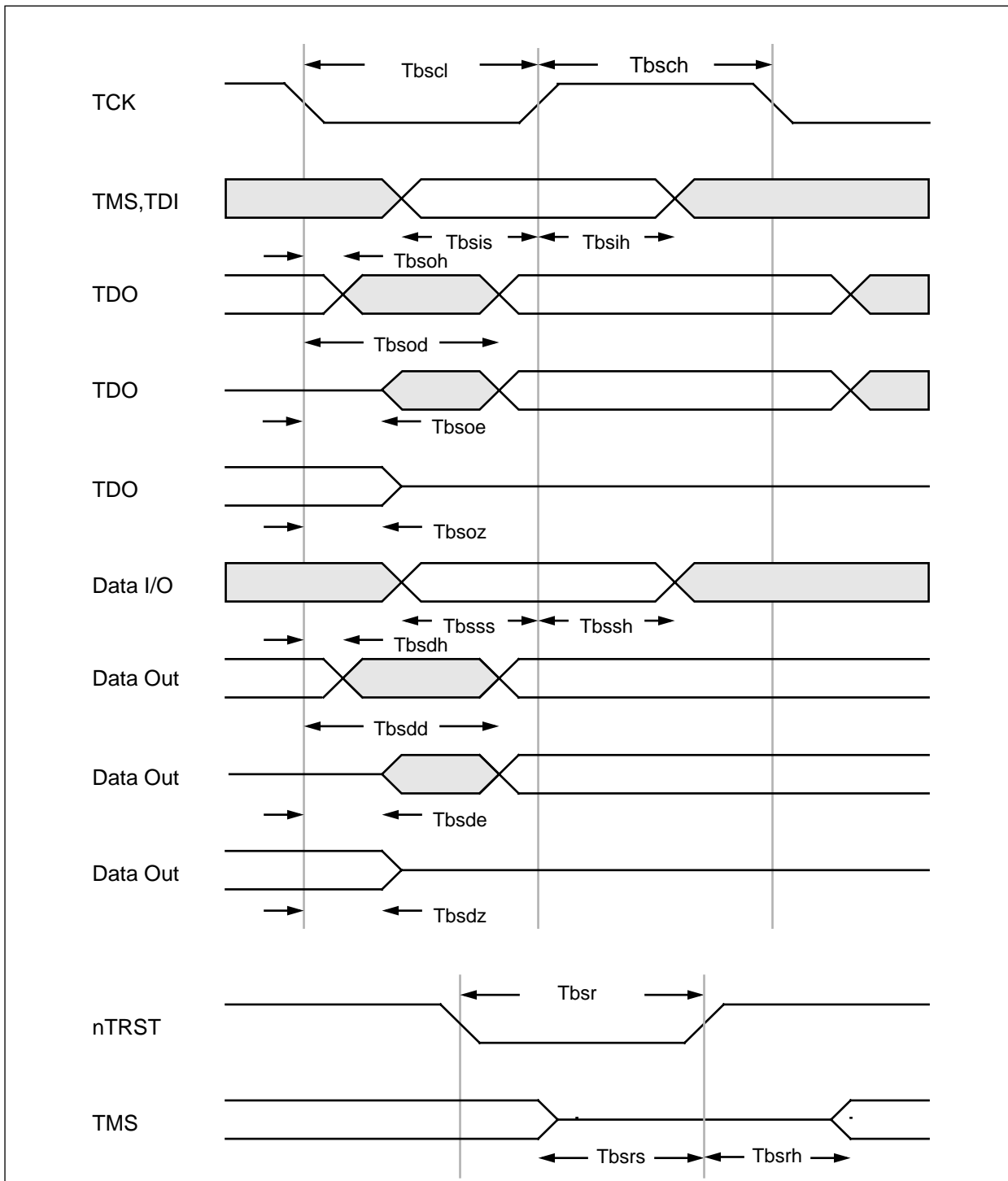


Figure 11-3: Boundary-scan timing

Boundary-Scan Test Interface

Symbol	Parameter	Min	Typ	Max	Units	Notes
Tbscl	tck low period	50			ns	1
Tbsch	tck high period	50			ns	1
Tbsis	tdi,tms setup to [TCr]	10			ns	
Tbsih	tdi,tms hold from [TCr]	10			ns	
Tbsod	TCf to tdo valid			30	ns	2
Tbsoh	tdo hold time	5			ns	2
Tbsoe	tdo enable time	5			ns	2,3
Tbsoz	tdo disable time			12.5	ns	2,4
Tbsss	I/O signal setup to [TCr]	5			ns	5
Tbssh	I/O signal hold from [TCr]	20			ns	5
Tbsdd	TCf to data output valid			30	ns	
Tbsdh	data output hold time	5			ns	6
Tbsde	data output enable time	5			ns	6,7
Tbsdz	data output disable time			16.5	ns	6,8
Tbsr	Reset period	30			ns	
Tbsrs	tms setup to [TRr]	10			ns	9
Tbsrh	tms hold from [TRr]	10			ns	9

Table 11-2: ARM610 boundary-scan interface timing

Notes

- 1 **TCK** may be stopped indefinitely in either the low or high phase.
- 2 Assumes a 25pF load on tdo. Output timing derates at 0.072ns/pF of extra load applied.
- 3 **TDO** enable time applies when the TAP controller enters the Shift-DR or Shift-IR states.
- 4 **TDO** disable time applies when the TAP controller leaves the Shift-DR or Shift-IR states.
- 5 For correct data latching, the I/O signals (from the core and the pads) must be setup and held with respect to the rising edge of **TCK** in the CAPTURE-DR state of the SAMPLE/PRELOAD, INTEST and EXTEST instructions.
- 6 Assumes that the data outputs are loaded with the AC test loads (see AC parameter specification).

Boundary-Scan Test Interface

- 7 Data output enable time applies when the boundary-scan logic is used to enable the output drivers.
- 8 Data output disable time applies when the boundary-scan is used to disable the output drivers.
- 9 **TMS** must be held high as **nTRST** is taken high at the end of the boundary-scan reset sequence.

Key

IN	Input pad
OUT	Output pad
NEN1	Input enable active high
OUTENO	Output enable active low
*	for Intest Extest/Clamp

No.	Cell name	Pin	Type	Output enable BS cell	Guard value	
					IN	EX
1	din23	D[23]	IN	-		
2	dout23	D[23]	OUT	Nendout		
3	din22	D[22]	IN	-		
4	dout22	D[22]	OUT	Nendout		
5	din21	D[21]	IN	-		
6	dout21	D[21]	OUT	Nendout		
7	din20	D[20]	IN	-		
8	dout20	D[20]	OUT	Nendout		
9	din19	D[19]	IN	-		
10	dout19	D[19]	OUT	Nendout		
11	din18	D[18]	IN	-		
12	dout18	D[18]	OUT	Nendout		
13	din17	D[17]	IN	-		
14	dout17	D[17]	OUT	Nendout		
15	din16	D[16]	IN	-		
16	dout16	D[16]	OUT	Nendout		
17	din15	D[15]	IN	-		
18	dout15	D[15]	OUT	Nendout		
19	din14	D[14]	IN	-		

Table 11-3: Boundary-scan signals and pins

Boundary-Scan Test Interface

No.	Cell name	Pin	Type	Output enable BS cell	Guard value	
					IN	EX
20	dout14	D[14]	OUT	Nendout		
21	din13	D[13]	IN	-		
22	dout13	D[13]	OUT	Nendout		
23	din12	D[12]	IN	-		
24	dout12	D[12]	OUT	Nendout		
25	din11	D[11]	IN	-		
26	dout11	D[11]	OUT	Nendout		
27	din10	D[10]	IN	-		
28	dout10	D[10]	OUT	Nendout		
29	din9	D[9]	IN	-		
30	dout9	D[9]	OUT	Nendout		
31	Nendout	-	OUTEN0	-	1	
32	din8	D[8]	IN	-		
33	dout8	D[8]	OUT	Nendout		
34	din7	D[7]	IN	-		
34	din7	D[7]	IN	-		
35	dout7	D[7]	OUT	Nendout		
36	din6	D[6]	IN	-		
37	dout6	D[6]	OUT	Nendout		
38	din5	D[5]	IN	-		
39	dout5	D[5]	OUT	Nendout		
40	din4	D[4]	IN	-		
41	dout4	D[4]	OUT	Nendout		
42	din3	D[3]	IN	-		
43	dout3	D[3]	OUT	Nendout		
44	din2	D[2]	IN	-		
45	dout2	D[2]	OUT	Nendout		
46	din1	D[1]	IN	-		

Table 11-3: Boundary-scan signals and pins (Continued)

Boundary-Scan Test Interface

No.	Cell name	Pin	Type	Output enable BS cell	Guard value	
					IN	EX
47	dout1	D[1]	OUT	Nendout		
48	din0	D[0]	IN	-		
49	dout0	D[0]	OUT	Nendout		
50	dbe	DBE	IN	-		
51	seq	SEQ	OUT	Nmse		
52	Nmreq	nMREQ	OUT	Nmse		
53	Nmse	MSE	INEN1	-	0	
54	sNa	SnA	IN	-		
55	Nwait	nWAIT	IN	-		
56	mclk	MCLK	IN	-		0
57	fclk	FCLK	IN	-		0
58	abort	ABORT	IN	-		
59	Nreset	nRESET	IN	-		
60	testin[16]	TESTIN[16]	IN	-		0
61	testout[2]	TESTOUT[2]	OUT	Ntbe		
62	testout[1]	TESTOUT[1]	OUT	Ntbe		
63	testout[0]	TESTOUT[0]	OUT	Ntbe		
64	Nirq	nIRQ	IN	-		
65	Nfiq	nFIQ	IN	-		
66	testin[0]	TESTIN[0]	IN	-		0
67	testin[1]	TESTIN[1]	IN	-		0
68	testin[2]	TESTIN[2]	IN	-		0
69	testin[3]	TESTIN[3]	IN	-		0
70	testin[4]	TESTIN[4]	IN	-		0
71	testin[5]	TESTIN[5]	IN	-		0
72	testin[6]	TESTIN[6]	IN	-		0
73	testin[7]	TESTIN[7]	IN	-		0
74	Ntbe		-	OUTEN0	-	1

Table 11-3: Boundary-scan signals and pins (Continued)

Boundary-Scan Test Interface

No.	Cell name	Pin	Type	Output enable BS cell	Guard value	
					IN	EX
75	ale	ALE	IN	-		
76	a31	A[31]	OUT	Nabe		
77	a30	A[30]	OUT	Nabe		
78	a29	A[29]	OUT	Nabe		
79	a28	A[28]	OUT	Nabe		
80	a27	A[27]	OUT	Nabe		
81	a26	A[26]	OUT	Nabe		
82	a25	A[25]	OUT	Nabe		
83	a24	A[24]	OUT	Nabe		
84	a23	A[23]	OUT	Nabe		
85	a22	A[22]	OUT	Nabe		
86	a21	A[21]	OUT	Nabe		
87	a20	A[20]	OUT	Nabe		
88	a19	A[19]	OUT	Nabe		
89	a18	A[18]	OUT	Nabe		
90	a17	A[17]	OUT	Nabe		
91	a16	A[16]	OUT	Nabe		
92	a15	A[15]	OUT	Nabe		
93	a14	A[14]	OUT	Nabe		
94	a13	A[13]	OUT	Nabe		
95	a12	A[12]	OUT	Nabe		
96	a11	A[11]	OUT	Nabe		
97	a10	A[10]	OUT	Nabe		
98	a09	A[09]	OUT	Nabe		
99	a08	A[08]	OUT	Nabe		
100	a07	A[07]	OUT	Nabe		
101	a06	A[06]	OUT	Nabe		
102	a05	A[05]	OUT	Nabe		

Table 11-3: Boundary-scan signals and pins (Continued)

Boundary-Scan Test Interface

No.	Cell name	Pin	Type	Output enable BS cell	Guard value	
					IN	EX
103	a04	A[04]	OUT	Nabe		
104	a03	A[03]	OUT	Nabe		
105	a02	A[02]	OUT	Nabe		
106	a01	A[01]	OUT	Nabe		
107	a00	A[00]	OUT	Nabe		
108	Nabe	ABE	INEN1	-	0	
109	rlw	LOCK	OUT	Nabe		
110	Nbw	nBW	OUT	Nabe		
111	Nrw	nRW	OUT	Nabe		
112	testin[15]	TESTIN[15]	IN	-		0
113	testin[14]	TESTIN[14]	IN	-		0
114	testin[13]	TESTIN[13]	IN	-		0
115	testin[12]	TESTIN[12]	IN	-		0
116	testin[11]	TESTIN[11]	IN	-		0
117	testin[10]	TESTIN[10]	IN	-		0
118	testin[09]	TESTIN[09]	IN	-		0
119	testin[08]	TESTIN[08]	IN	-		0
120	din31	D[31]	IN	-		
121	dout31	D[31]	OUT	Nendout		
122	din30	D[30]	IN	-		
123	dout30	D[30]	OUT	Nendout		
124	din29	D[29]	IN	-		
125	dout29	D[29]	OUT	Nendout		
126	din28	D[28]	IN	-		
127	dout28	D[28]	OUT	Nendout		
128	din27	D[27]	IN	-		
129	dout27	D[27]	OUT	Nendout		
130	din26	D[26]	IN	-		

Table 11-3: Boundary-scan signals and pins (Continued)

Boundary-Scan Test Interface

No.	Cell name	Pin	Type	Output enable BS cell	Guard value	
					IN	EX
131	dout26	D[26]	OUT	Nendout		
132	din25	D[25]	IN	-		
133	dout25	D[25]	OUT	Nendout		
134	din24	D[24]	IN	-		
135	dout24	D[24]	OUT	Nendout		

Table 11-3: Boundary-scan signals and pins (Continued)

Boundary-Scan Test Interface





12

DC Parameters

This chapter describes the ARM610 DC parameters.

12.1	Absolute Maximum Ratings	12-2
12.2	DC Operating Conditions	12-2
12.3	DC Characteristics	12-3

DC Parameters

12.1 Absolute Maximum Ratings

Symbol	Parameter	Min	Max	Units	Notes
VDD	Supply voltage	VSS-0.3	VSS+7.0	V	1
Vip	Voltage applied to any pin	VSS-0.3	VDD+0.3	V	1
Ts	Storage temperature	-40	125	deg. C	1

Table 12-1: ARM610 DC maximum ratings

Note These are stress ratings only. Exceeding the absolute maximum ratings may permanently damage the device. Operating the device at absolute maximum ratings for extended periods may affect device reliability.

12.2 DC Operating Conditions

Symbol	Parameter	Min	Max	Units	Notes
VDD	Supply voltage	4.5	5.5	V	
Viht	IT input HIGH voltage	2.4	VDD	V	
Vilt	IT input LOW voltage	0.0	0.8	V	
Vohc	OCZ output HIGH voltage	3.5	VDD	V	
Volc	OCZ output LOW voltage	0.0	0.4	V	
Ta	Ambient operating temperature	-10	70	deg.C	

Table 12-2: ARM610 DC operating conditions

Notes

- 1 Voltages measured with respect to VSS.
- 2 IT - TTL-level inputs (includes IT and ITOTZ pin types)
- 3 OCZ - Output, CMOS levels, tri-stateable

12.3 DC Characteristics

Symbol	Parameter	Min	Max	Units
IDD	Static Supply current		30	μ A
Isc	Output short circuit current	100		mA
Ilu	DC latch-up current		100	mA
Iin	IT input leakage current		+/- 10	μ A
Cin	Input capacitance	5(typ)		pF
ESD	HMB model ESD	2		kV

Table 12-3: ARM610 DC characteristics

DC Parameters





13

AC Parameters

This chapter describes the ARM610 AC parameters.

13.1	Test Conditions	13-2
13.2	Relationship between FCLK and MCLK	13-2
13.3	Main Bus Signals	13-3

AC Parameters

13.1 Test Conditions

The AC timing diagrams presented in this section assume that the outputs of ARM610 have been loaded with the capacitive loads shown in the Test Load column of the table below; these loads have been chosen as typical of the system in which ARM610 might be employed. The output pads of ARM610 are CMOS drivers which exhibit a propagation delay that increases linearly with the increase in load capacitance. An Output derating figure is given for each output pad, showing the approximate rate of increase of output time with increasing load capacitance.

Output signal	Test load (pF)	Output derating (ns/pF)
A[25:0]	50	0.072
D[31:0]	50	0.072
nR/W	50	0.072
nB/W	50	0.072
LOCK	50	0.072
nMREQ	50	0.072
SEQ	50	0.072

Table 13-1: ARM610 AC test conditions

13.2 Relationship between FCLK and MCLK

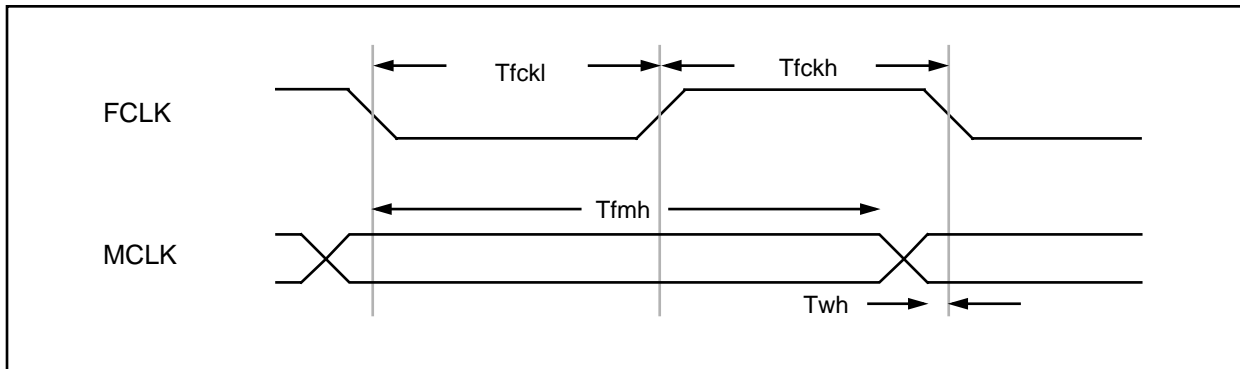


Figure 13-1: Clock timing relationship

Symbol	Parameter	Min	Max	Unit	Note
Tfckl	FCLK LOW time	15		ns	1
Tfckh	FCLK HIGH time	15		ns	1
Tfmh	FCLK - MCLK hold time	18		ns	
Tmfs	MCLK - FCLK setup	3		ns	

Table 13-2: ARM610 FCLK and MCLK relationship

Note FCLK timings measured at 50% of Vdd.

13.2.1 Disable times

Disable times in this data sheet are specified in the following manner:

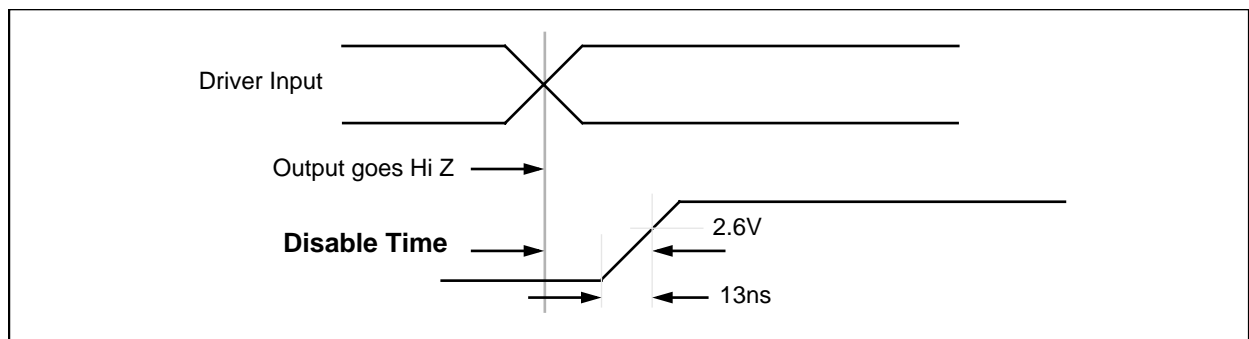


Figure 13-2: Disable times specification

13.2.2 Tald measurement

Tald is the maximum delay allowed in the ALE input transition to guarantee the address will not change:

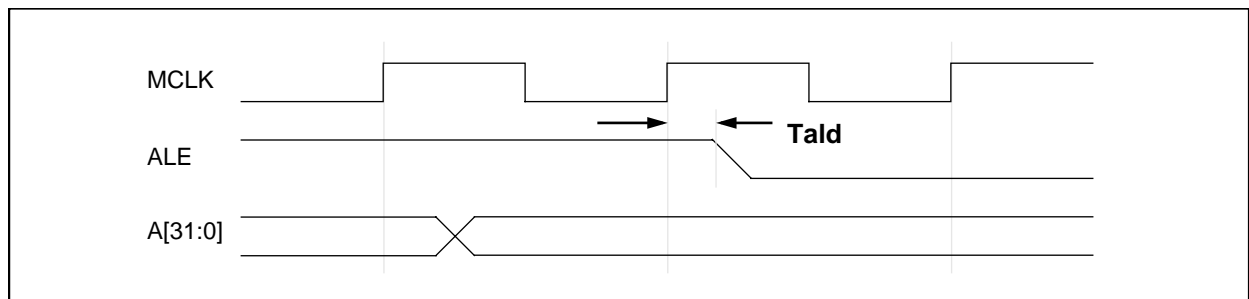


Figure 13-3: Tald measurement

13.3 Main Bus Signals

AC Parameters

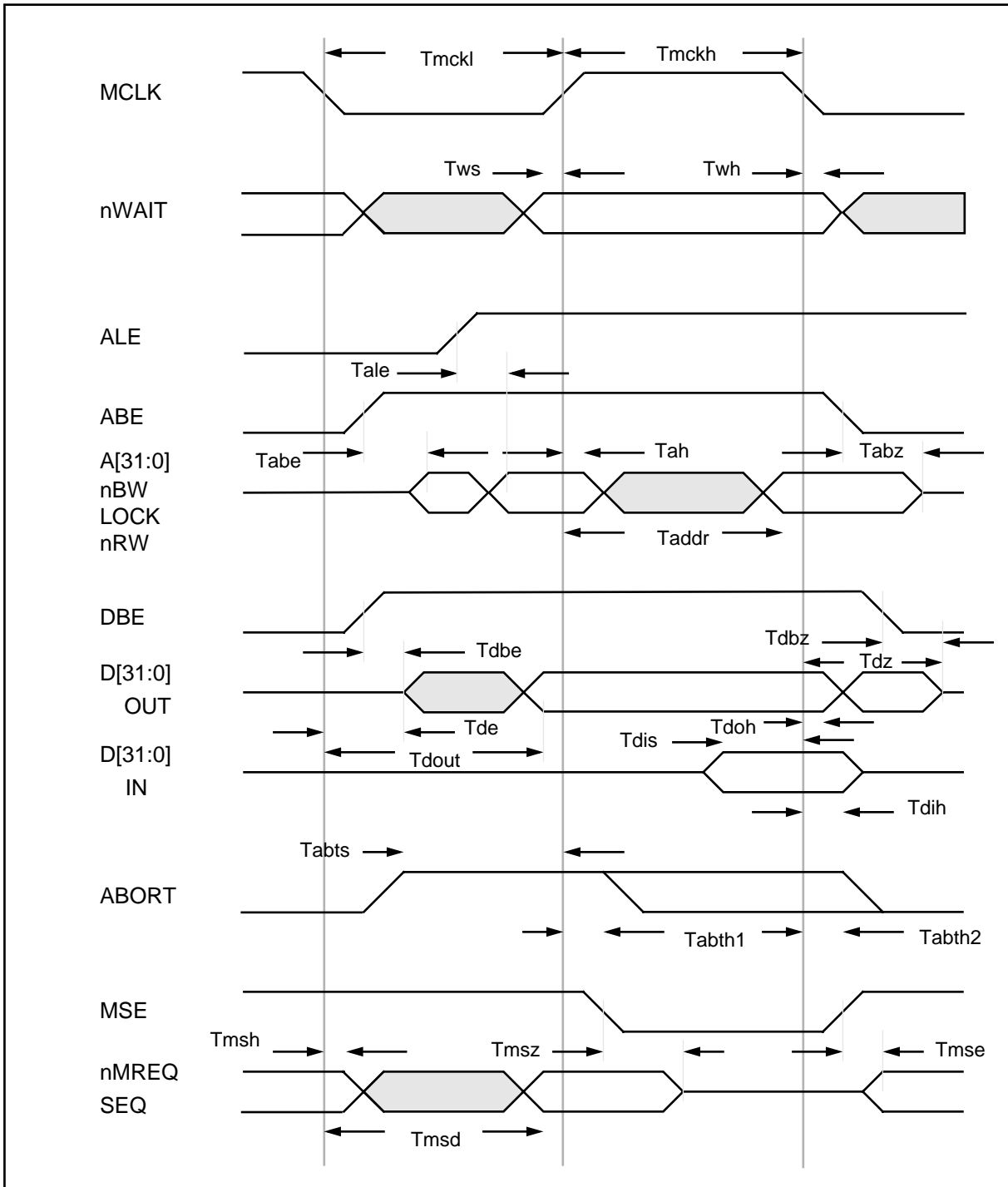


Figure 13-4: ARM610 main bus timing

AC Parameters

Symbol	Parameter	Min	Max	Unit	Note
Tmckl	MCLK LOW time	26		ns	1
Tmckh	MCLK HIGH time	26		ns	
Tws	nWAIT setup to MCLK	2		ns	
Twh	nWAIT hold from MCLK	2		ns	
Tale	address latch enable		12	ns	5
Tabc	address bus enable	2	9	ns	2
Tabz	address bus disable		20	ns	4
Taddr	MCLK to address delay		18	ns	2
Tah	address hold time	4		ns	2
Tdbe	DBE to data enable	4	12	ns	2
Tde	MCLK to data enable	7		ns	2
Tdbz	DBE to data disable	16	22	ns	4
Tdz	MCLK to data disable		25	ns	4
Tdout	data out delay		27	ns	2
Tdoh	data out hold	4		ns	2
Tdis	data in setup	1		ns	
Tdih	data in hold	7		ns	
Tabts	ABORT setup time	4		ns	
Tabth1	ABORT hold time	2		ns	3
Tabth2	ABORT hold time	2		ns	3
Tmse	nMREQ & SEQ enable		6	ns	
Tmsz	nMREQ & SEQ disable		21	ns	4
Tmsd	nMREQ & SEQ delay		30	ns	
Tmsh	nMREQ & SEQ hold	4		ns	

Table 13-3: ARM610 FCLK and MCLK relationship

AC Parameters

Note

- 1 MCLK timings measured between clock edges at 50% of Vdd.
- 2 The timings of these buses are measured to TTL levels.
- 3 Tabth1 is a requirement for ARM610. To ensure compatibility with future processors, designs should meet Tabth2. Tabth2 is not tested on ARM610.
- 4 See [Figure 13-2: Disable times specification](#) on page 13-3.
- 5 See [13.2.2 Tald measurement](#) on page 13-3.



14

Physical details

This chapter gives a detailed physical description of the ARM610.

14.1 Physical Details

14-2

Physical details

14.1 Physical Details

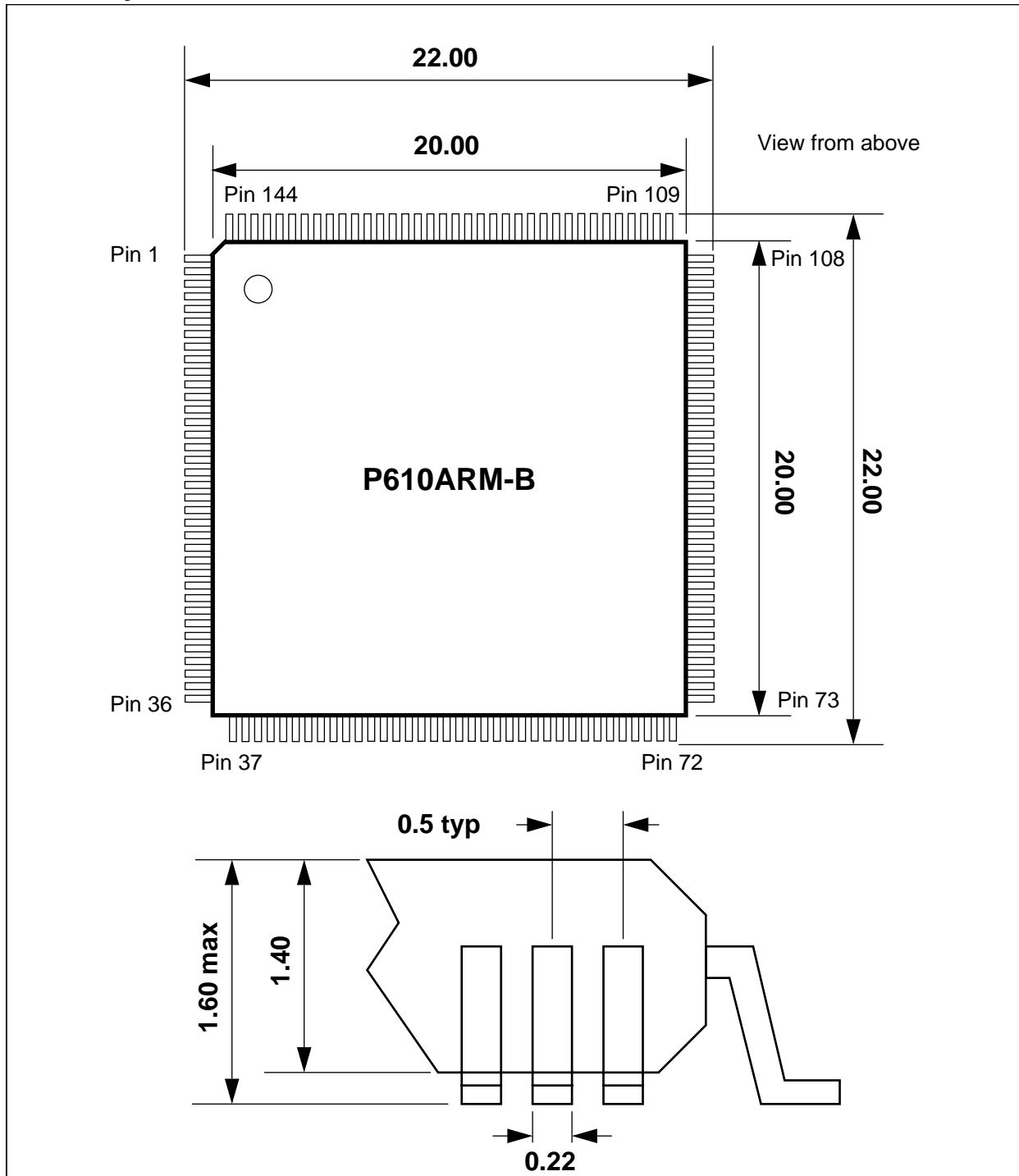


Figure 14-1: ARM610 144 Pin TQFP mechanical dimensions in mm



15

Pinout

This chapter gives the ARM610 pinout details.

15.1 Pinout

15-2

Pinout

15.1 Pinout

Pin	Signal	Type
1	MSE	i
2	nMREQ	o
3	SEQ	o
4	DBE	i
5	Vss2	-
6	Vdd2	-
7	D[0]	i/o
8	D[1]	i/o
9	D[2]	i/o
10	D[3]	i/o
11	D[4]	i/o
12	D[5]	i/o
13	D[6]	i/o
14	D[7]	i/o
15	D[8]	i/o
16	Vss2	-
17	Vdd2	-
18	Vss1	-
19	Vdd1	-
20	D[9]	i/o
21	D[10]	i/o
22	D[11]	i/o
23	D[12]	i/o
24	D[13]	i/o
25	D[14]	i/o
26	D[15]	i/o
27	D[16]	i/o
28	D[17]	i/o

Table 15-1: ARM610 in 144 pin thin quad flat pack

Pin	Signal	Type
29	D[18]	i/o
30	D[19]	i/o
31	Vdd2	-
32	Vss2	-
33	D[20]	i/o
34	D[21]	i/o
35	D[22]	i/o
36	D[23]	i/o
37	D[24]	i/o
38	D[25]	i/o
39	D[26]	i/o
40	Vss1	-
41	Vss2	-
42	Vdd2	-
43	D[27]	i/o
44	D[28]	i/o
45	D[29]	i/o
46	D[30]	i/o
47	D[31]	i/o
48	TDO	o
49	TDI	i
50	nTRST	i
51	Vdd1	-
52	TMS	i
53	TCK	i
54	n/c	-
55	n/c	-
56	n/c	-
57	n/c	-

Table 15-1: ARM610 in 144 pin thin quad flat pack (Continued)

Pinout

Pin	Signal	Type
58	n/c	-
59	TESTIN[8]	i
60	TESTIN[9]	i
61	Vdd1	-
62	Vss1	-
63	TESTIN[10]	i
64	TESTIN[11]	i
65	TESTIN[12]	i
66	TESTIN[13]	i
67	TESTIN[14]	i
68	TESTIN[15]	i
69	Vss2	-
70	Vdd2	-
71	nR/W	o
72	nB/W	o
73	LOCK	o
74	ABE	i
75	A[0]	o
76	A[1]	o
77	A[2]	o
78	Vss2	-
79	Vdd2	-
80	A[3]	o
81	A[4]	o
82	A[5]	o
83	A[6]	o
84	A[7]	o
85	A[8]	o
86	A[9]	o

Table 15-1: ARM610 in 144 pin thin quad flat pack (Continued)

Pin	Signal	Type
87	A[10]	o
88	A[11]	o
89	A[12]	o
90	Vdd2	-
91	Vss1	-
92	Vdd1	-
93	Vss2	-
94	A[13]	o
95	A[14]	o
96	A[15]	o
97	A[16]	o
98	A[17]	o
99	A[18]	o
100	A[19]	
101	A[20]	o
102	Vdd2	-
103	Vss2	-
104	A[21]	o
105	A[22]	o
106	A[23]	o
107	A[24]	o
108	A[25]	o
109	A[26]	o
110	A[27]	o
111	A[28]	o
112	Vdd2	-
133	Vss2	-
114	A[29]	o
115	A[30]	o

Table 15-1: ARM610 in 144 pin thin quad flat pack (Continued)

Pinout

Pin	Signal	Type
116	A[31]	o
117	ALE	i
118	n/c	
119	n/c	
120	n/c	
121	Vss1	-
122	Vdd1	-
123	TESTIN[7]	i
124	TESTIN[6]	i
125	TESTIN[5]	i
126	TESTIN[4]	i
127	TESTIN[3]	i
128	TESTIN[2]	i
129	TESTIN[1]	i
130	TESTIN[0]	i
131	nFIQ	
132	nIRQ	
133	TESTOUT[0]	o
134	TESTOUT[1]	o
135	TESTOUT[2]	o
136	TESTIN[16] i	
137	nRESET	i
138	ABORT	i
139	FCLK	i
140	MCLK	i
141	Vdd2	-
142	Vss2	-
143	nWAIT	i
144	SnA	i

Table 15-1: ARM610 in 144 pin thin quad flat pack (Continued)



A

Backward Compatibility

This chapter gives an overview of ARM6 backward compatibility.

A.1 Backward Compatibility

A-2

Backward Compatibility

A.1 Backward Compatibility

Two of the Control Register bits, prog32 and data32, allow one of three processor configurations to be selected as follows:

- 1 **26-bit program and data space**—(prog32 LOW, data32 LOW). This configuration forces ARM610 to operate like the earlier ARM processors with 26-bit address space. The programmer's model for these processors applies, but the new instructions to access the CPSR and SPSR registers operate as detailed elsewhere in this document. In this configuration it is impossible to select a 32-bit operating mode, and all exceptions (including address exceptions) enter the exception handler in the appropriate 26-bit mode.
- 2 **26-bit program space and 32-bit data space**—(prog32 LOW, data32 HIGH). This is the same as the 26-bit program and data space configuration, but with address exceptions disabled to allow data transfer operations to access the full 32-bit address space.
- 3 **32-bit program and data space**—(prog32 HIGH, data32 HIGH). This configuration extends the address space to 32 bits, introduces major changes in the programmer's model as described below and provides support for running existing 26-bit programs in the 32-bit environment.

The fourth processor configuration which is possible (26-bit data space and 32-bit program space) should not be selected.

When configured for 26-bit program space, ARM8 is limited to operating in one of four modes known as the 26-bit modes. These modes correspond to the modes of the earlier ARM processors and are known as:

User26
FIQ26
IRQ26 and
Supervisor26.

These are the normal operating modes in this configuration and the 26-bit modes are only provided for backwards compatibility to allow execution of programs originally written for earlier ARM processors.



**For more information about all Zarlink products
visit our Web Site at
www.zarlink.com**

Information relating to products and services furnished herein by Zarlink Semiconductor Inc. or its subsidiaries (collectively "Zarlink") is believed to be reliable. However, Zarlink assumes no liability for errors that may appear in this publication, or for liability otherwise arising from the application or use of any such information, product or service or for any infringement of patents or other intellectual property rights owned by third parties which may result from such application or use. Neither the supply of such information or purchase of product or service conveys any license, either express or implied, under patents or other intellectual property rights owned by Zarlink or licensed from third parties by Zarlink, whatsoever. Purchasers of products are also hereby notified that the use of product in certain ways or in combination with Zarlink, or non-Zarlink furnished goods or services may infringe patents or other intellectual property rights owned by Zarlink.

This publication is issued to provide information only and (unless agreed by Zarlink in writing) may not be used, applied or reproduced for any purpose nor form part of any order or contract nor to be regarded as a representation relating to the products or services concerned. The products, their specifications, services and other information appearing in this publication are subject to change by Zarlink without notice. No warranty or guarantee express or implied is made regarding the capability, performance or suitability of any product or service. Information concerning possible methods of use is provided as a guide only and does not constitute any guarantee that such methods of use will be satisfactory in a specific piece of equipment. It is the user's responsibility to fully determine the performance and suitability of any equipment using such information and to ensure that any publication or data used is up to date and has not been superseded. Manufacturing does not necessarily include testing of all functions or parameters. These products are not suitable for use in any medical products whose failure to perform may result in significant injury or death to the user. All products and materials are sold and services provided subject to Zarlink's conditions of sale which are available on request.

Purchase of Zarlink's I²C components conveys a licence under the Philips I²C Patent rights to use these components in and I²C System, provided that the system conforms to the I²C Standard Specification as defined by Philips.

Zarlink, ZL and the Zarlink Semiconductor logo are trademarks of Zarlink Semiconductor Inc.

Copyright Zarlink Semiconductor Inc. All Rights Reserved.

TECHNICAL DOCUMENTATION - NOT FOR RESALE
