

PLEASE CHECK WWW.MOLEX.COM FOR LATEST PART INFORMATION

Part Number: [0022283234](#)
Status: **Active**
Description: 2.54mm (.100") Pitch KK® Header, Breakaway, Vertical, with Polarizing Wall, 23 Circuits, 0.38µm (15µ") Gold (Au) Selective Plating, with Kinked PC Tails

Documents:

| | |
|---|--|
| 3D Model | Product Specification PS-10-07 (PDF) |
| Packaging Specification (PDF) | RoHS Certificate of Compliance (PDF) |
| Drawing (PDF) | |

Agency Certification

| | |
|-----|---------|
| CSA | LR19980 |
| UL | E29179 |

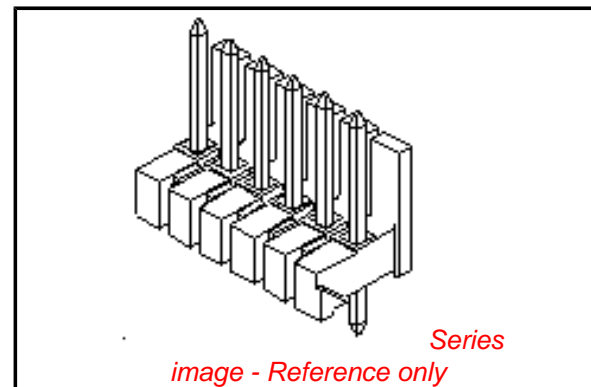
General

| | |
|----------------|-----------------------|
| Product Family | PCB Headers |
| Series | 42225 |
| Application | Wire-to-Board |
| Product Name | KK® |

Physical

| | |
|--------------------------------|--------------|
| Breakaway | Yes |
| Circuits (Loaded) | 23 |
| Circuits (maximum) | 23 |
| Color - Resin | Black |
| Durability (mating cycles max) | 100 |
| Flammability | 94V-0 |
| Glow-Wire Compliant | No |
| Lock to Mating Part | None |
| Material - Metal | Brass |
| Material - Plating Mating | Gold |
| Material - Plating Termination | Tin |
| Material - Resin | Nylon |
| Number of Rows | 1 |
| Orientation | Vertical |
| PC Tail Length (in) | 0.135 In |
| PC Tail Length (mm) | 3.43 mm |
| PCB Locator | No |
| PCB Retention | Yes |
| PCB Thickness Recommended (in) | 0.062 In |
| PCB Thickness Recommended (mm) | 1.60 mm |
| Packaging Type | Bag |
| Pitch - Mating Interface (in) | 0.100 In |
| Pitch - Mating Interface (mm) | 2.54 mm |
| Plating min: Mating (µin) | 15 |
| Plating min: Mating (µm) | 0.375 |
| Plating min: Termination (µin) | 100 |
| Plating min: Termination (µm) | 2.5 |
| Polarized to Mating Part | Yes |
| Polarized to PCB | No |
| Shrouded | Partial |
| Stackable | No |
| Temperature Range - Operating | 0°C to +75°C |
| Termination Interface: Style | Through Hole |

Electrical



EU RoHS

ELV and RoHS Compliant
REACH SVHC
 Not Reviewed
Halogen-Free Status
 Not Reviewed

China RoHS



Need more information on product environmental compliance?

Email productcompliance@molex.com
 For a multiple part number RoHS Certificate of Compliance, [click here](#)

Please visit the [Contact Us](#) section for any non-product compliance questions.

Search Parts in this Series

[42225Series](#)

Mates With

[2695](#) , [6471](#) , [7880](#) , [4455](#) , [7720](#)

| | |
|-------------------------------|------|
| Current - Maximum per Contact | 4A |
| Voltage - Maximum | 250V |

Solder Process Data

| | |
|--|------------------------|
| Duration at Max. Process Temperature (seconds) | 5 |
| Lead-free Process Capability | Wave Capable (TH only) |
| Max. Cycles at Max. Process Temperature | 1 |
| Process Temperature max. C | 235 |

Material Info

| | |
|-----------------|------------|
| Old Part Number | 42225-0163 |
|-----------------|------------|

Reference - Drawing Numbers

| | |
|-----------------------|--------------|
| Product Specification | PS-10-07 |
| Sales Drawing | SD-42225-001 |

This document was generated on 04/20/2010

PLEASE CHECK WWW.MOLEX.COM FOR LATEST PART INFORMATION

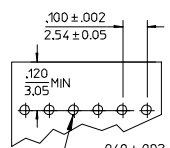
| NO. OF CKTS. | DM. A | DM. B |
|--------------|-------------|-------------|
| 2 | .100/2.54 | .200/5.08 |
| 3 | .200/5.08 | .300/7.62 |
| 4 | .300/7.62 | .400/10.16 |
| 5 | .400/10.16 | .500/12.70 |
| 6 | .500/10.16 | .600/15.24 |
| 7 | .600/15.24 | .700/17.78 |
| 8 | .700/17.78 | .800/20.32 |
| 9 | .800/20.32 | .900/22.86 |
| 10 | .900/22.86 | 1.000/25.40 |
| 11 | 1.000/25.40 | 1.100/27.94 |
| 12 | 1.100/27.94 | 1.200/30.48 |
| 13 | 1.200/30.48 | 1.300/33.02 |
| 14 | 1.300/33.02 | 1.400/35.56 |
| 15 | 1.400/35.56 | 1.500/38.10 |
| 16 | 1.500/38.10 | 1.600/40.64 |
| 17 | 1.600/40.64 | 1.700/43.18 |
| 18 | 1.700/43.18 | 1.800/45.72 |
| 19 | 1.800/45.72 | 1.900/48.26 |
| 20 | 1.900/48.26 | 2.000/50.80 |
| 21 | 2.000/50.80 | 2.100/53.34 |
| 22 | 2.100/53.34 | 2.200/55.88 |
| 23 | 2.200/55.88 | 2.300/58.42 |
| 24 | 2.300/58.42 | 2.400/60.96 |
| 25 | 2.400/60.96 | 2.500/63.50 |
| 26 | 2.500/63.50 | 2.600/66.04 |
| 27 | 2.600/66.04 | 2.700/68.58 |
| 28 | 2.700/68.58 | 2.800/71.12 |
| 29 | 2.800/71.12 | 2.900/73.66 |
| 30 | 2.900/73.66 | 3.000/76.20 |
| 31 | 3.000/76.20 | 3.100/78.74 |
| 32 | 3.100/78.74 | 3.200/81.28 |
| 33 | 3.200/81.28 | 3.300/83.82 |
| 34 | 3.300/83.82 | 3.400/86.36 |
| 35 | 3.400/86.36 | 3.500/88.90 |
| 36 | 3.500/88.90 | 3.600/91.44 |



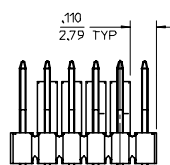
- NOTES:
- MATERIAL: GLASS FILLED NYLON, 94V-0, COLOR: BLACK
 - FINISH:
 - (154) *OVERALL TIN: .000100/0.00254 MIN. OVER .000050/0.00127 MIN NICKEL.
 - (208) SELECT GOLD: .000015/0.00038 MIN. *SELECT TIN: .000100/0.00254 MIN. OVERALL NICKEL UNDERPLATE: .000050/0.00127 MIN.
 - (228) SELECT GOLD: .000030/0.00076 MIN. *SELECT TIN: .000100/0.00254 MIN. OVERALL NICKEL UNDERPLATE: .000050/0.00127 MIN.
 - PRODUCT SPECIFICATION PS 10-07.
 - PACKAGING INFORMATION: SEE TABLES
 - KINK PIN SPECIFICATION: SEE SMES-42003
 - HEADERS ARE NOT STACKABLE ON .100/2.54 CENTERS.
 - SOLDERABILITY PER SMES-152.
 - PIN PUSH OUT FORCE: 3 LBS. MIN.



KINKED PIN DETAIL
SEE NOTE 5



RECOMMENDED PC BOARD LAYOUT



REMOVED POLARIZING WALL OPTION

| | |
|------------------------|-----------------|
| ADD DETAIL VIEWS | QUALITY SYMBOLS |
| EC NO: UCP2005-0488 | ▽=0 |
| DRWN: JLOME 2005/08/01 | ▽=0 |
| CHKD: ADERR 2005/08/04 | |
| APPR: FSWJH 2005/08/05 | |
| DESCRIPTION | |
| REV | |

| | | | | |
|--|---------------------|---|--------------|---------------------------------------|
| GENERAL TOLERANCES (UNLESS SPECIFIED) | DIMENSION STYLE | SCALE | DESIGN UNITS | THIRD ANGLE PROJECTION |
| | IN/MM | 1:1 | INCH | |
| 4 PLACES ± --- ± --- | DRAWN BY JSCHAFFER | DATE 2004/03/20 | TITLE | .100 POLARIZING BREAKAWAY HEADER ASSY |
| 3 PLACES ± --- ± .010 | CHECKED BY | DATE | | |
| 2 PLACES ± 0.25 ± .014 | APPROVED BY KSAMIEC | DATE 2004/03/20 | | |
| 1 PLACE ± 0.36 ± --- | MATERIAL NO. | DATE 2004/03/20 | | |
| ANGULAR ± 1/2° | SEE CHART | | | |
| DRAFT WHERE APPLICABLE MUST REMAIN WITHIN DIMENSIONS | SIZE B | THIS DRAWING CONTAINS INFORMATION THAT IS PROPRIETARY TO MOLEX INCORPORATED AND SHOULD NOT BE USED WITHOUT WRITTEN PERMISSION | | |

| | | |
|--------------|--------------|-----------|
| MATERIAL NO. | DOCUMENT NO. | SHEET NO. |
| SEE CHART | SD-4225-001 | 1 OF 6 |

| | | |
|--------------|--------------|-----------|
| MATERIAL NO. | DOCUMENT NO. | SHEET NO. |
| SEE CHART | SD-4225-001 | 1 OF 6 |

| | | |
|--------------|--------------|-----------|
| MATERIAL NO. | DOCUMENT NO. | SHEET NO. |
| SEE CHART | SD-4225-001 | 1 OF 6 |

| | | | | | |
|--|--|--|--|--|--|
| | | | | | |
|--|--|--|--|--|--|

| A-42225-0002/0036 | | | | | |
|--------------------|-----------------|-----------------|------|-----------------|--------------|
| HEADER NUMBER: | | 41410 | | | |
| PIN NUMBER: | | 42663-AXA154 | | | |
| PIN LENGTH: L | | .540/13.72 | | | |
| MATING LENGTH: M | | .295/7.49 | | | |
| GOLD POINT: G | | N/A | | | |
| PC TAIL LENGTH: P | | .120/3.05 | | | |
| TIN: T | | OVERALL | | | |
| CKTS: | | 2-36 | | | |
| KINKS: | | NO | | | |
| REMOVED BACKWALLS: | | NO | | | |
| VOIDED CKTS: | | NONE | | | |
| PACKAGING: | | BULK 40873-0056 | | | |
| CKTS | MATERIAL NUMBER | ENG NUMBER | CKTS | MATERIAL NUMBER | ENG NUMBER |
| 02 | 22-28-3020 | A-42225-0002 | 20 | 22-28-3200 | A-42225-0020 |
| 03 | 22-28-3030 | A-42225-0003 | 21 | 22-28-3210 | A-42225-0021 |
| 04 | 22-28-3040 | A-42225-0004 | 22 | 22-28-3220 | A-42225-0022 |
| 05 | 22-28-3050 | A-42225-0005 | 23 | 22-28-3230 | A-42225-0023 |
| 06 | 22-28-3060 | A-42225-0006 | 24 | 22-28-3240 | A-42225-0024 |
| 07 | 22-28-3070 | A-42225-0007 | 25 | 22-28-3250 | A-42225-0025 |
| 08 | 22-28-3080 | A-42225-0008 | 26 | 22-28-3260 | A-42225-0026 |
| 09 | 22-28-3090 | A-42225-0009 | 27 | 22-28-3270 | A-42225-0027 |
| 10 | 22-28-3100 | A-42225-0010 | 28 | 22-28-3280 | A-42225-0028 |
| 11 | 22-28-3110 | A-42225-0011 | 29 | 22-28-3290 | A-42225-0029 |
| 12 | 22-28-3120 | A-42225-0012 | 30 | 22-28-3300 | A-42225-0030 |
| 13 | 22-28-3130 | A-42225-0013 | 31 | 22-28-3310 | A-42225-0031 |
| 14 | 22-28-3140 | A-42225-0014 | 32 | 22-28-3320 | A-42225-0032 |
| 15 | 22-28-3150 | A-42225-0015 | 33 | 22-28-3330 | A-42225-0033 |
| 16 | 22-28-3160 | A-42225-0016 | 34 | 22-28-3340 | A-42225-0034 |
| 17 | 22-28-3170 | A-42225-0017 | 35 | 22-28-3350 | A-42225-0035 |
| 18 | 22-28-3180 | A-42225-0018 | 36 | 22-28-3360 | A-42225-0036 |
| 19 | 22-28-3190 | A-42225-0019 | | | |

| A-42225-0037/0071 | | | | | |
|--------------------|-----------------|-----------------|------|-----------------|--------------|
| HEADER NUMBER: | | 41410 | | | |
| PIN NUMBER: | | 42663-AXB208 | | | |
| PIN LENGTH: L | | .540/13.72 | | | |
| MATING LENGTH: M | | .295/7.49 | | | |
| GOLD POINT: G | | .140/3.56 | | | |
| PC TAIL LENGTH: P | | .120/3.05 | | | |
| TIN: T | | .100/2.54 | | | |
| CKTS: | | 2-36 | | | |
| KINKS: | | NO | | | |
| REMOVED BACKWALLS: | | NO | | | |
| VOIDED CKTS: | | NONE | | | |
| PACKAGING: | | BULK 40873-0056 | | | |
| CKTS | MATERIAL NUMBER | ENG NUMBER | CKTS | MATERIAL NUMBER | ENG NUMBER |
| 02 | 22-28-3021 | A-42225-0037 | 20 | 22-28-3201 | A-42225-0055 |
| 03 | 22-28-3031 | A-42225-0038 | 21 | 22-28-3211 | A-42225-0056 |
| 04 | 22-28-3041 | A-42225-0039 | 22 | 22-28-3221 | A-42225-0057 |
| 05 | 22-28-3051 | A-42225-0040 | 23 | 22-28-3231 | A-42225-0058 |
| 06 | 22-28-3061 | A-42225-0041 | 24 | 22-28-3241 | A-42225-0059 |
| 07 | 22-28-3071 | A-42225-0042 | 25 | 22-28-3251 | A-42225-0060 |
| 08 | 22-28-3081 | A-42225-0043 | 26 | 22-28-3261 | A-42225-0061 |
| 09 | 22-28-3091 | A-42225-0044 | 27 | 22-28-3271 | A-42225-0062 |
| 10 | 22-28-3101 | A-42225-0045 | 28 | 22-28-3281 | A-42225-0063 |
| 11 | 22-28-3111 | A-42225-0046 | 29 | 22-28-3291 | A-42225-0064 |
| 12 | 22-28-3121 | A-42225-0047 | 30 | 22-28-3301 | A-42225-0065 |
| 13 | 22-28-3131 | A-42225-0048 | 31 | 22-28-3311 | A-42225-0066 |
| 14 | 22-28-3141 | A-42225-0049 | 32 | 22-28-3321 | A-42225-0067 |
| 15 | 22-28-3151 | A-42225-0050 | 33 | 22-28-3331 | A-42225-0068 |
| 16 | 22-28-3161 | A-42225-0051 | 34 | 22-28-3341 | A-42225-0069 |
| 17 | 22-28-3171 | A-42225-0052 | 35 | 22-28-3351 | A-42225-0070 |
| 18 | 22-28-3181 | A-42225-0053 | 36 | 22-28-3361 | A-42225-0071 |
| 19 | 22-28-3191 | A-42225-0054 | | | |

| | | | | | |
|------|----------|--------|---|-----------|--------------|
| REV: | K | TITLE: | .100 POLARIZING BREAKAWAY HEADER ASSY. | SHEET No. | - 2 - |
|------|----------|--------|---|-----------|--------------|

| | | | |
|-----------------------|------------------------------|----------------------------|-------------------------------|
| DOCUMENT NUMBER: | CREATED / REVISED BY: | CHECKED BY: | APPROVED BY: |
| SD- 42225 -001 | S. LINEHAN 03/04/2004 | K.SAMIEC 03/04/2004 | Y. MARGULIS 03/04/2004 |

| | | | | | |
|--|--|--|--|--|--|
| | | | | | |
|--|--|--|--|--|--|

| A-42225-0072/0106 | | | | | |
|--------------------|-----------------|-----------------|------|-----------------|--------------|
| HEADER NUMBER: | | 41410 | | | |
| PIN NUMBER: | | 42663-AXB228 | | | |
| PIN LENGTH: L | | .540/13.72 | | | |
| MATING LENGTH: M | | .295/7.49 | | | |
| GOLD POINT: G | | .140/3.56 | | | |
| PC TAIL LENGTH: P | | .120/3.05 | | | |
| TIN: T | | .100/2.54 | | | |
| CKTS: | | 2-36 | | | |
| KINKS: | | NO | | | |
| REMOVED BACKWALLS: | | NO | | | |
| VOIDED CKTS: | | NONE | | | |
| PACKAGING: | | BULK 40873-0056 | | | |
| CKTS | MATERIAL NUMBER | ENG NUMBER | CKTS | MATERIAL NUMBER | ENG NUMBER |
| 02 | 22-28-3022 | A-42225-0072 | 20 | 22-28-3202 | A-42225-0090 |
| 03 | 22-28-3032 | A-42225-0073 | 21 | 22-28-3212 | A-42225-0091 |
| 04 | 22-28-3042 | A-42225-0074 | 22 | 22-28-3222 | A-42225-0092 |
| 05 | 22-28-3052 | A-42225-0075 | 23 | 22-28-3232 | A-42225-0093 |
| 06 | 22-28-3062 | A-42225-0076 | 24 | 22-28-3242 | A-42225-0094 |
| 07 | 22-28-3072 | A-42225-0077 | 25 | 22-28-3252 | A-42225-0095 |
| 08 | 22-28-3082 | A-42225-0078 | 26 | 22-28-3262 | A-42225-0096 |
| 09 | 22-28-3092 | A-42225-0079 | 27 | 22-28-3272 | A-42225-0097 |
| 10 | 22-28-3102 | A-42225-0080 | 28 | 22-28-3282 | A-42225-0098 |
| 11 | 22-28-3112 | A-42225-0081 | 29 | 22-28-3292 | A-42225-0099 |
| 12 | 22-28-3122 | A-42225-0082 | 30 | 22-28-3302 | A-42225-0100 |
| 13 | 22-28-3132 | A-42225-0083 | 31 | 22-28-3312 | A-42225-0101 |
| 14 | 22-28-3142 | A-42225-0084 | 32 | 22-28-3322 | A-42225-0102 |
| 15 | 22-28-3152 | A-42225-0085 | 33 | 22-28-3332 | A-42225-0103 |
| 16 | 22-28-3162 | A-42225-0086 | 34 | 22-28-3342 | A-42225-0104 |
| 17 | 22-28-3172 | A-42225-0087 | 35 | 22-28-3352 | A-42225-0105 |
| 18 | 22-28-3182 | A-42225-0088 | 36 | 22-28-3362 | A-42225-0106 |
| 19 | 22-28-3192 | A-42225-0089 | | | |

| A-42225-0107/0141 | | | | | |
|--------------------|-----------------|-----------------|------|-----------------|--------------|
| HEADER NUMBER: | | 41410 | | | |
| PIN NUMBER: | | 42663-BAA154 | | | |
| PIN LENGTH: L | | .555/14.10 | | | |
| MATING LENGTH: M | | .295/7.49 | | | |
| GOLD POINT: G | | N/A | | | |
| PC TAIL LENGTH: P | | .135/3.43 | | | |
| TIN: T | | OVERALL | | | |
| CKTS: | | 2-36 | | | |
| KINKS: | | YES | | | |
| REMOVED BACKWALLS: | | NO | | | |
| VOIDED CKTS: | | NONE | | | |
| PACKAGING: | | BULK 40873-0056 | | | |
| CKTS | MATERIAL NUMBER | ENG NUMBER | CKTS | MATERIAL NUMBER | ENG NUMBER |
| 02 | 22-28-3023 | A-42225-0107 | 20 | 22-28-3203 | A-42225-0125 |
| 03 | 22-28-3033 | A-42225-0108 | 21 | 22-28-3213 | A-42225-0126 |
| 04 | 22-28-3043 | A-42225-0109 | 22 | 22-28-3223 | A-42225-0127 |
| 05 | 22-28-3053 | A-42225-0110 | 23 | 22-28-3233 | A-42225-0128 |
| 06 | 22-28-3063 | A-42225-0111 | 24 | 22-28-3243 | A-42225-0129 |
| 07 | 22-28-3073 | A-42225-0112 | 25 | 22-28-3253 | A-42225-0130 |
| 08 | 22-28-3083 | A-42225-0113 | 26 | 22-28-3263 | A-42225-0131 |
| 09 | 22-28-3093 | A-42225-0114 | 27 | 22-28-3273 | A-42225-0132 |
| 10 | 22-28-3103 | A-42225-0115 | 28 | 22-28-3283 | A-42225-0133 |
| 11 | 22-28-3113 | A-42225-0116 | 29 | 22-28-3293 | A-42225-0134 |
| 12 | 22-28-3123 | A-42225-0117 | 30 | 22-28-3303 | A-42225-0135 |
| 13 | 22-28-3133 | A-42225-0118 | 31 | 22-28-3313 | A-42225-0136 |
| 14 | 22-28-3143 | A-42225-0119 | 32 | 22-28-3323 | A-42225-0137 |
| 15 | 22-28-3153 | A-42225-0120 | 33 | 22-28-3333 | A-42225-0138 |
| 16 | 22-28-3163 | A-42225-0121 | 34 | 22-28-3343 | A-42225-0139 |
| 17 | 22-28-3173 | A-42225-0122 | 35 | 22-28-3353 | A-42225-0140 |
| 18 | 22-28-3183 | A-42225-0123 | 36 | 22-28-3363 | A-42225-0141 |
| 19 | 22-28-3193 | A-42225-0124 | | | |

| | | | | | |
|------|--|--------|---|-----------|-------|
| REV: | | TITLE: | .100 POLARIZING BREAKAWAY HEADER ASSY. | SHEET No. | - 3 - |
|------|--|--------|---|-----------|-------|

| | | | |
|---|---|---|---|
| DOCUMENT NUMBER: SD- 42225 -001 | CREATED / REVISED BY: S. LINEHAN 03/04/2004 | CHECKED BY: K.SAMIEC 03/04/2004 | APPROVED BY: Y. MARGULIS 03/04/2004 |
|---|---|---|---|

| | | | | | |
|--|--|--|--|--|--|
| | | | | | |
|--|--|--|--|--|--|

| A-42225-0142/0176 | | | | | |
|--------------------|-----------------|-----------------|------|-----------------|--------------|
| HEADER NUMBER: | | 41410 | | | |
| PIN NUMBER: | | 42663-BAB208 | | | |
| PIN LENGTH: L | | .555/14.10 | | | |
| MATING LENGTH: M | | .295/7.49 | | | |
| GOLD POINT: G | | .140/3.56 | | | |
| PC TAIL LENGTH: P | | .135/3.43 | | | |
| TIN: T | | .100/2.54 | | | |
| CKTS: | | 2-36 | | | |
| KINKS: | | YES | | | |
| REMOVED BACKWALLS: | | NO | | | |
| VOIDED CKTS: | | NONE | | | |
| PACKAGING: | | BULK 40873-0056 | | | |
| CKTS | MATERIAL NUMBER | ENG NUMBER | CKTS | MATERIAL NUMBER | ENG NUMBER |
| 02 | 22-28-3024 | A-42225-0142 | 20 | 22-28-3204 | A-42225-0160 |
| 03 | 22-28-3034 | A-42225-0143 | 21 | 22-28-3214 | A-42225-0161 |
| 04 | 22-28-3044 | A-42225-0144 | 22 | 22-28-3224 | A-42225-0162 |
| 05 | 22-28-3054 | A-42225-0145 | 23 | 22-28-3234 | A-42225-0163 |
| 06 | 22-28-3064 | A-42225-0146 | 24 | 22-28-3244 | A-42225-0164 |
| 07 | 22-28-3074 | A-42225-0147 | 25 | 22-28-3254 | A-42225-0165 |
| 08 | 22-28-3084 | A-42225-0148 | 26 | 22-28-3264 | A-42225-0166 |
| 09 | 22-28-3094 | A-42225-0149 | 27 | 22-28-3274 | A-42225-0167 |
| 10 | 22-28-3104 | A-42225-0150 | 28 | 22-28-3284 | A-42225-0168 |
| 11 | 22-28-3114 | A-42225-0151 | 29 | 22-28-3294 | A-42225-0169 |
| 12 | 22-28-3124 | A-42225-0152 | 30 | 22-28-3304 | A-42225-0170 |
| 13 | 22-28-3134 | A-42225-0153 | 31 | 22-28-3314 | A-42225-0171 |
| 14 | 22-28-3144 | A-42225-0154 | 32 | 22-28-3324 | A-42225-0172 |
| 15 | 22-28-3154 | A-42225-0155 | 33 | 22-28-3334 | A-42225-0173 |
| 16 | 22-28-3164 | A-42225-0156 | 34 | 22-28-3344 | A-42225-0174 |
| 17 | 22-28-3174 | A-42225-0157 | 35 | 22-28-3354 | A-42225-0175 |
| 18 | 22-28-3184 | A-42225-0158 | 36 | 22-28-3364 | A-42225-0176 |
| 19 | 22-28-3194 | A-42225-0159 | | | |

| A-42225-0177/0211 | | | | | |
|--------------------|-----------------|-----------------|------|-----------------|--------------|
| HEADER NUMBER: | | 41410 | | | |
| PIN NUMBER: | | 42663-BAB228 | | | |
| PIN LENGTH: L | | .555/14.10 | | | |
| MATING LENGTH: M | | .295/7.49 | | | |
| GOLD POINT: G | | .140/3.56 | | | |
| PC TAIL LENGTH: P | | .135/3.43 | | | |
| TIN: T | | .100/2.54 | | | |
| CKTS: | | 2-36 | | | |
| KINKS: | | YES | | | |
| REMOVED BACKWALLS: | | NO | | | |
| VOIDED CKTS: | | NONE | | | |
| PACKAGING: | | BULK 40873-0056 | | | |
| CKTS | MATERIAL NUMBER | ENG NUMBER | CKTS | MATERIAL NUMBER | ENG NUMBER |
| 02 | 22-28-3025 | A-42225-0177 | 20 | 22-28-3205 | A-42225-0195 |
| 03 | 22-28-3035 | A-42225-0178 | 21 | 22-28-3215 | A-42225-0196 |
| 04 | 22-28-3045 | A-42225-0179 | 22 | 22-28-3225 | A-42225-0197 |
| 05 | 22-28-3055 | A-42225-0180 | 23 | 22-28-3235 | A-42225-0198 |
| 06 | 22-28-3065 | A-42225-0181 | 24 | 22-28-3245 | A-42225-0199 |
| 07 | 22-28-3075 | A-42225-0182 | 25 | 22-28-3255 | A-42225-0200 |
| 08 | 22-28-3085 | A-42225-0183 | 26 | 22-28-3265 | A-42225-0201 |
| 09 | 22-28-3095 | A-42225-0184 | 27 | 22-28-3275 | A-42225-0202 |
| 10 | 22-28-3105 | A-42225-0185 | 28 | 22-28-3285 | A-42225-0203 |
| 11 | 22-28-3115 | A-42225-0186 | 29 | 22-28-3295 | A-42225-0204 |
| 12 | 22-28-3125 | A-42225-0187 | 30 | 22-28-3305 | A-42225-0205 |
| 13 | 22-28-3135 | A-42225-0188 | 31 | 22-28-3315 | A-42225-0206 |
| 14 | 22-28-3145 | A-42225-0189 | 32 | 22-28-3325 | A-42225-0207 |
| 15 | 22-28-3155 | A-42225-0190 | 33 | 22-28-3335 | A-42225-0208 |
| 16 | 22-28-3165 | A-42225-0191 | 34 | 22-28-3345 | A-42225-0209 |
| 17 | 22-28-3175 | A-42225-0192 | 35 | 22-28-3355 | A-42225-0210 |
| 18 | 22-28-3185 | A-42225-0193 | 36 | 22-28-3365 | A-42225-0211 |
| 19 | 22-28-3195 | A-42225-0194 | | | |

| | | | | | |
|----------|--|--------|---|--|--------------|
| REV: | | TITLE: | .100 POLARIZING BREAKAWAY HEADER ASSY. | | SHEET No. |
| K | | | | | - 4 - |

| | | | |
|-----------------------|------------------------------|----------------------------|-------------------------------|
| DOCUMENT NUMBER: | CREATED / REVISED BY: | CHECKED BY: | APPROVED BY: |
| SD- 42225 -001 | S. LINEHAN 03/04/2004 | K.SAMIEC 03/04/2004 | Y. MARGULIS 03/04/2004 |

| A-42225-0213/0246 | | | | | |
|--------------------|-----------------|-----------------|------|-----------------|--------------|
| HEADER NUMBER: | | 41410 | | | |
| PIN NUMBER: | | 42663-AXA154 | | | |
| PIN LENGTH: L | | .540/13.72 | | | |
| MATING LENGTH: M | | .295/7.49 | | | |
| GOLD POINT: G | | N/A | | | |
| PC TAIL LENGTH: P | | .120/3.05 | | | |
| TIN: T | | OVERALL | | | |
| CKTS: | | 3-36 | | | |
| KINKS: | | NO | | | |
| REMOVED BACKWALLS: | | YES | | | |
| VOIDED CKTS: | | NONE | | | |
| PACKAGING: | | BULK 40873-0056 | | | |
| CKTS | MATERIAL NUMBER | ENG NUMBER | CKTS | MATERIAL NUMBER | ENG NUMBER |
| 02 | | | 20 | 22-28-3206 | A-42225-0230 |
| 03 | 22-28-3036 | A-42225-0213 | 21 | 22-28-3216 | A-42225-0231 |
| 04 | 22-28-3046 | A-42225-0214 | 22 | 22-28-3226 | A-42225-0232 |
| 05 | 22-28-3056 | A-42225-0215 | 23 | 22-28-3236 | A-42225-0233 |
| 06 | 22-28-3066 | A-42225-0216 | 24 | 22-28-3246 | A-42225-0234 |
| 07 | 22-28-3076 | A-42225-0217 | 25 | 22-28-3256 | A-42225-0235 |
| 08 | 22-28-3086 | A-42225-0218 | 26 | 22-28-3266 | A-42225-0236 |
| 09 | 22-28-3096 | A-42225-0219 | 27 | 22-28-3276 | A-42225-0237 |
| 10 | 22-28-3106 | A-42225-0220 | 28 | 22-28-3286 | A-42225-0238 |
| 11 | 22-28-3116 | A-42225-0221 | 29 | 22-28-3296 | A-42225-0239 |
| 12 | 22-28-3126 | A-42225-0222 | 30 | 22-28-3306 | A-42225-0240 |
| 13 | 22-28-3136 | A-42225-0223 | 31 | 22-28-3316 | A-42225-0241 |
| 14 | 22-28-3146 | A-42225-0224 | 32 | 22-28-3326 | A-42225-0242 |
| 15 | 22-28-3156 | A-42225-0225 | 33 | 22-28-3336 | A-42225-0243 |
| 16 | 22-28-3166 | A-42225-0226 | 34 | 22-28-3346 | A-42225-0244 |
| 17 | 22-28-3176 | A-42225-0227 | 35 | 22-28-3356 | A-42225-0245 |
| 18 | 22-28-3186 | A-42225-0228 | 36 | 22-28-3366 | A-42225-0246 |
| 19 | 22-28-3196 | A-42225-0229 | | | |

| A-42225-0248/0281 | | | | | |
|--------------------|-----------------|-----------------|------|-----------------|--------------|
| HEADER NUMBER: | | 41410 | | | |
| PIN NUMBER: | | 42663-AXB208 | | | |
| PIN LENGTH: L | | .540/13.72 | | | |
| MATING LENGTH: M | | .295/7.49 | | | |
| GOLD POINT: G | | .140/3.56 | | | |
| PC TAIL LENGTH: P | | .120/3.05 | | | |
| TIN: T | | .135/3.43 | | | |
| CKTS: | | 3-36 | | | |
| KINKS: | | NO | | | |
| REMOVED BACKWALLS: | | YES | | | |
| VOIDED CKTS: | | NONE | | | |
| PACKAGING: | | BULK 40873-0056 | | | |
| CKTS | MATERIAL NUMBER | ENG NUMBER | CKTS | MATERIAL NUMBER | ENG NUMBER |
| 02 | | | 20 | 22-28-3207 | A-42225-0265 |
| 03 | 22-28-3037 | A-42225-0248 | 21 | 22-28-3217 | A-42225-0266 |
| 04 | 22-28-3047 | A-42225-0249 | 22 | 22-28-3227 | A-42225-0267 |
| 05 | 22-28-3057 | A-42225-0250 | 23 | 22-28-3237 | A-42225-0268 |
| 06 | 22-28-3067 | A-42225-0251 | 24 | 22-28-3247 | A-42225-0269 |
| 07 | 22-28-3077 | A-42225-0252 | 25 | 22-28-3257 | A-42225-0270 |
| 08 | 22-28-3087 | A-42225-0253 | 26 | 22-28-3267 | A-42225-0271 |
| 09 | 22-28-3097 | A-42225-0254 | 27 | 22-28-3277 | A-42225-0272 |
| 10 | 22-28-3107 | A-42225-0255 | 28 | 22-28-3287 | A-42225-0273 |
| 11 | 22-28-3117 | A-42225-0256 | 29 | 22-28-3297 | A-42225-0274 |
| 12 | 22-28-3127 | A-42225-0257 | 30 | 22-28-3307 | A-42225-0275 |
| 13 | 22-28-3137 | A-42225-0258 | 31 | 22-28-3317 | A-42225-0276 |
| 14 | 22-28-3147 | A-42225-0259 | 32 | 22-28-3327 | A-42225-0277 |
| 15 | 22-28-3157 | A-42225-0260 | 33 | 22-28-3337 | A-42225-0278 |
| 16 | 22-28-3167 | A-42225-0261 | 34 | 22-28-3347 | A-42225-0279 |
| 17 | 22-28-3177 | A-42225-0262 | 35 | 22-28-3357 | A-42225-0280 |
| 18 | 22-28-3187 | A-42225-0263 | 36 | 22-28-3367 | A-42225-0281 |
| 19 | 22-28-3197 | A-42225-0264 | | | |

| | | | | | |
|-----------------------|--|------------------------------|---|-------------------------------|--------------|
| REV: | | TITLE: | .100 POLARIZING BREAKAWAY HEADER ASSY. | | SHEET No. |
| K | | | | | - 5 - |
| DOCUMENT NUMBER: | | CREATED / REVISED BY: | CHECKED BY: | APPROVED BY: | |
| SD- 42225 -001 | | S. LINEHAN 03/04/2004 | K.SAMIEC 03/04/2004 | Y. MARGULIS 03/04/2004 | |

| | | | | | |
|--|--|--|--|--|--|
| | | | | | |
|--|--|--|--|--|--|

| A-42225-0282/0316 | | | | | |
|--------------------|-----------------|-----------------|------|-----------------|--------------|
| HEADER NUMBER: | | 41410 | | | |
| PIN NUMBER: | | 42663-AXB228 | | | |
| PIN LENGTH: L | | .540/13.72 | | | |
| MATING LENGTH: M | | .295/7.49 | | | |
| GOLD POINT: G | | .140/3.56 | | | |
| PC TAIL LENGTH: P | | .120/3.05 | | | |
| TIN: T | | .135/3.43 | | | |
| CKTS: | | 3-36 | | | |
| KINKS: | | NO | | | |
| REMOVED BACKWALLS: | | YES | | | |
| VOIDED CKTS: | | NONE | | | |
| PACKAGING: | | BULK 40873-0056 | | | |
| CKTS | MATERIAL NUMBER | ENG NUMBER | CKTS | MATERIAL NUMBER | ENG NUMBER |
| 02 | | | 20 | 22-28-3208 | A-42225-0300 |
| 03 | 22-28-3038 | A-42225-0283 | 21 | 22-28-3218 | A-42225-0301 |
| 04 | 22-28-3048 | A-42225-0284 | 22 | 22-28-3228 | A-42225-0302 |
| 05 | 22-28-3058 | A-42225-0285 | 23 | 22-28-3238 | A-42225-0303 |
| 06 | 22-28-3068 | A-42225-0286 | 24 | 22-28-3248 | A-42225-0304 |
| 07 | 22-28-3078 | A-42225-0287 | 25 | 22-28-3258 | A-42225-0305 |
| 08 | 22-28-3088 | A-42225-0288 | 26 | 22-28-3268 | A-42225-0306 |
| 09 | 22-28-3098 | A-42225-0289 | 27 | 22-28-3278 | A-42225-0307 |
| 10 | 22-28-3108 | A-42225-0290 | 28 | 22-28-3288 | A-42225-0308 |
| 11 | 22-28-3118 | A-42225-0291 | 29 | 22-28-3298 | A-42225-0309 |
| 12 | 22-28-3128 | A-42225-0292 | 30 | 22-28-3308 | A-42225-0310 |
| 13 | 22-28-3138 | A-42225-0293 | 31 | 22-28-3318 | A-42225-0311 |
| 14 | 22-28-3148 | A-42225-0294 | 32 | 22-28-3328 | A-42225-0312 |
| 15 | 22-28-3158 | A-42225-0295 | 33 | 22-28-3338 | A-42225-0313 |
| 16 | 22-28-3168 | A-42225-0296 | 34 | 22-28-3348 | A-42225-0314 |
| 17 | 22-28-3178 | A-42225-0297 | 35 | 22-28-3358 | A-42225-0315 |
| 18 | 22-28-3188 | A-42225-0298 | 36 | 22-28-3368 | A-42225-0316 |
| 19 | 22-28-3198 | A-42225-0299 | | | |

| A-42225-0488/0518 | | | | | |
|--------------------|-----------------|-----------------|------|-----------------|--------------|
| HEADER NUMBER: | | 41410 | | | |
| PIN NUMBER: | | 42663-AXA154 | | | |
| PIN LENGTH: L | | .540/13.72 | | | |
| MATING LENGTH: M | | .295/7.49 | | | |
| GOLD POINT: G | | N/A | | | |
| PC TAIL LENGTH: P | | .120/3.05 | | | |
| TIN: T | | OVERALL | | | |
| CKTS: | | 6-36 | | | |
| KINKS: | | NO | | | |
| REMOVED BACKWALLS: | | NO | | | |
| VOIDED CKTS: | | 6 | | | |
| PACKAGING: | | BULK 40873-0056 | | | |
| CKTS | MATERIAL NUMBER | ENG NUMBER | CKTS | MATERIAL NUMBER | ENG NUMBER |
| 02 | | | 20 | 42225-0502 | A-42225-0502 |
| 03 | | | 21 | 42225-0503 | A-42225-0503 |
| 04 | | | 22 | 42225-0504 | A-42225-0504 |
| 05 | | | 23 | 42225-0505 | A-42225-0505 |
| 06 | 42225-0488 | A-42225-0488 | 24 | 42225-0506 | A-42225-0506 |
| 07 | 42225-0489 | A-42225-0489 | 25 | 42225-0507 | A-42225-0507 |
| 08 | 42225-0490 | A-42225-0490 | 26 | 42225-0508 | A-42225-0508 |
| 09 | 42225-0491 | A-42225-0491 | 27 | 42225-0509 | A-42225-0509 |
| 10 | 42225-0492 | A-42225-0492 | 28 | 42225-0510 | A-42225-0510 |
| 11 | 42225-0493 | A-42225-0493 | 29 | 42225-0511 | A-42225-0511 |
| 12 | 42225-0494 | A-42225-0494 | 30 | 42225-0512 | A-42225-0512 |
| 13 | 42225-0495 | A-42225-0495 | 31 | 42225-0513 | A-42225-0513 |
| 14 | 42225-0496 | A-42225-0496 | 32 | 42225-0514 | A-42225-0514 |
| 15 | 42225-0497 | A-42225-0497 | 33 | 42225-0515 | A-42225-0515 |
| 16 | 42225-0498 | A-42225-0498 | 34 | 42225-0516 | A-42225-0516 |
| 17 | 42225-0499 | A-42225-0499 | 35 | 42225-0517 | A-42225-0517 |
| 18 | 42225-0500 | A-42225-0500 | 36 | 42225-0518 | A-42225-0518 |
| 19 | 42225-0501 | A-42225-0501 | | | |

| | | | | | |
|----------|--|--------|---|--|--------------|
| REV: | | TITLE: | .100 POLARIZING BREAKAWAY HEADER ASSY. | | SHEET No. |
| K | | | | | - 6 - |

| | | | |
|-----------------------|------------------------------|----------------------------|-------------------------------|
| DOCUMENT NUMBER: | CREATED / REVISED BY: | CHECKED BY: | APPROVED BY: |
| SD- 42225 -001 | S. LINEHAN 03/04/2004 | K.SAMIEC 03/04/2004 | Y. MARGULIS 03/04/2004 |