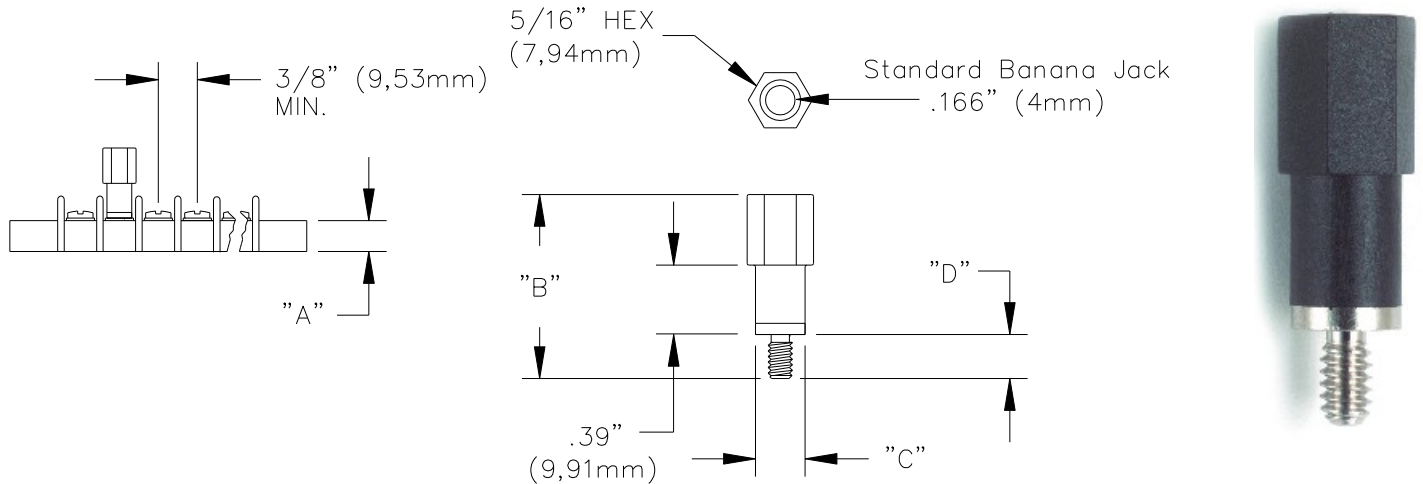


FEATURES:

- ✓ This adapter provides a banana jack connection by replacing the screw in a terminal strip.
- ✓ Secure connections can be made with standard banana plug patch cords without breaking the connection to the terminal strip.
- ✓ Standard banana jack .166" and 4mm.



| Model | Dim "A" | Dim "B" | Dim "C" | Dim "D" | Thread | Torque In/Lb | Vrms Max |
|-------|--------------------|-----------------|---------------|---------------|--------|--------------|----------|
| 5699 | .35" min (8,89mm) | 1.04" (26,42mm) | .28" (7,11mm) | .25" (6,35mm) | 6-32 | 7 | 1100 |
| 5700 | .44" min (11,18mm) | 1.13" (28,70mm) | .38 (9,65mm) | .32" (8,13mm) | 8-32 | 16 | 1600 |
| 5701 | .50" min (12,70mm) | 1.13" (28,70mm) | .38 (9,65mm) | .32" (8,13mm) | 10-32 | 25 | 1700 |

RATINGS:

Operating Voltage see table:

Hands free usage in controlled voltage environments. *For CE compliance:* not intended for hand-held use at voltages above 33 Vrms/70 Vdc.

Current: 25Amps Max

Power: 7500 Watts Max

Operating Temperature: +216°F (+102°C) Max.

MATERIALS:

Banana Jack and Threaded Stud: Nickel Plated Brass, Alloy 360, ½ Hard per MIL-C-26074, Class 1 200/300 microinches:
 Insulation : Nylon 6, 20% glass filled

ORDERING INFORMATION:

Model: 5699-**Color** (6-32 thread)

Model: 5700-**Color** (8-32 thread)

Model: 5701-**Color** (10-32 thread)

Color = 0 (Black), 2 (Red), 3 (Orange), 4 (Yellow), 5 (Green), 6 (Blue), 9 (White)

All dimensions are in inches. Tolerances (except noted): .xx = ±.02" (.51 mm), .xxx = ±.005" (.127 mm).

All specifications are to the latest revisions. Specifications are subject to change without notice.

Registered trademarks are the property of their respective companies.

Sales: 800-490-2361 Fax: 888-403-3360 Technical Support: 800-241-2060 (technicalsupport@pomonatest.com)
 For "Where to Buy" information, visit the Pomona web site at www.pomonaelectronics.com