

FEATURES AND SPECIFICATIONS

Features and Benefits

- Sizes 2 to 18 circuits
- Snap-in peg locks header to PCB for optimum retention
- Optional voided circuits available
- Various pin lengths available (contact Inside Sales)
- End-to-end stackable

Reference Information

Product Specification: PS-08-50

Packaging: Bag

UL File No.: E29179

CSA File No.: LR19980

TUV File No.: R75108

Mates With: 2139, 2145, 3069, 6442, 7660, 7664, 7674,
7675, 41695 and 41815

Designed In: Inches

Electrical

Voltage: 250V

Current: 7.0A

Contact Resistance: 6mΩ max.

Dielectric Withstanding Voltage: 1500V

Insulation Resistance: 50K MΩ min.

Mechanical

Durability:

Tin—25 cycles max.

Gold—100 cycles max.

Physical

Housing: Polyester, UL 94V-0

Contact: Brass, 1.14mm (.045") square

Plating: See Table

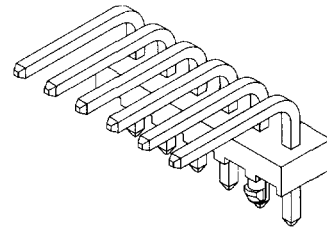
Temperature: 0 to +75°C

molex® 3.96mm (.156") Pitch
KK®

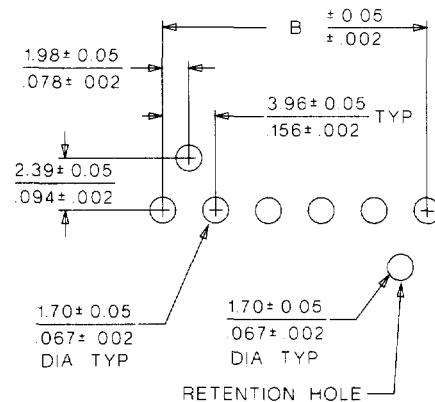
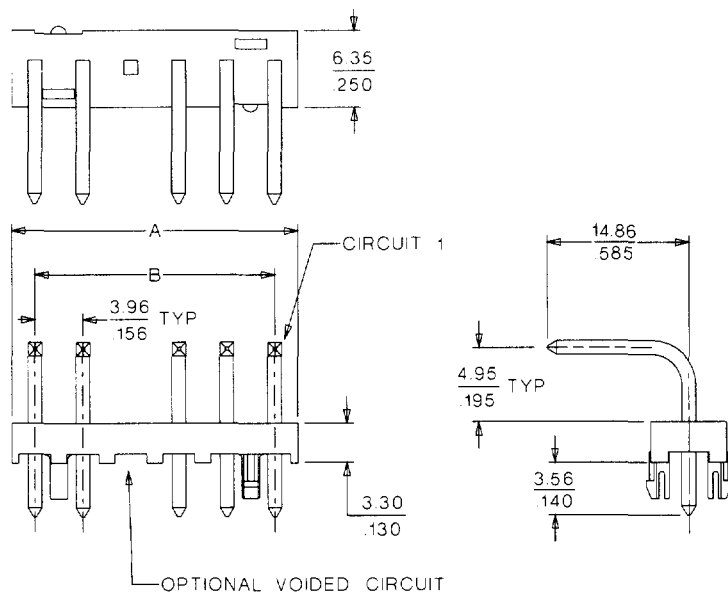
Solid Header

42872

**Right Angle
With Snap-In Pegs**



PCB and Wire Connectors



PCB LAYOUT COMPONENT SIDE
RECOMMENDED PCB THICKNESS $\frac{1.57 \pm 0.18}{.062 \pm .007}$

ORDERING INFORMATION AND DIMENSIONS

Circuits	Order No.				Dimension		No. of Pegs
	Tin	15μ" Select Gold	30μ" Select Gold	Overall Gold	A	B	
2	26-60-9023	42872-0120	42872-0137	26-60-9024	7.77 (.306)	3.96 (.156)	1
3	26-60-9033	42872-0121	42872-0138	26-60-9034	11.73 (.462)	7.92 (.312)	2
4	26-60-9043	42872-0122	42872-0139	26-60-9044	15.70 (.618)	11.89 (.468)	2
5	26-60-9053	42872-0123	42872-0140	26-60-9054	19.66 (.774)	15.85 (.624)	2
6	26-60-9063	42872-0124	42872-0141	26-60-9064	23.62 (.930)	19.81 (.780)	2
7	26-60-9073	42872-0125	42872-0142	26-60-9074	27.58 (1.086)	23.77 (.936)	2
8	26-60-9083	42872-0126	42872-0143	26-60-9084	31.55 (1.242)	27.74 (1.092)	2
9	26-60-9093	42872-0127	42872-0144	26-60-9094	35.51 (1.398)	31.70 (1.248)	2
10	26-60-9103	42872-0128	42872-0145	26-60-9104	39.47 (1.554)	35.66 (1.404)	2
11	26-60-9113	42872-0129	42872-0146	26-60-9114	43.43 (1.710)	39.62 (1.560)	2
12	26-60-9123	42872-0130	42872-0147	26-60-9124	47.40 (1.866)	43.59 (1.716)	2
13	26-60-9133	42872-0131	42872-0148	26-60-9134	51.36 (2.022)	47.55 (1.872)	2
14	26-60-9143	42872-0132	42872-0149	26-60-9144	55.32 (2.178)	51.51 (2.028)	2
15	26-60-9153	42872-0133	42872-0150	26-60-9154	59.28 (2.334)	55.47 (2.184)	2
16	26-60-9163	42872-0134	42872-0151	26-60-9164	63.25 (2.490)	59.44 (2.340)	2
17	26-60-9173	42872-0135	42872-0152	26-60-9174	67.21 (2.646)	63.40 (2.496)	2
18	26-60-9183	42872-0136	42872-0153	26-60-9184	71.17 (2.802)	67.36 (2.652)	2

Circuit number designation is for ordering purposes only, check corresponding circuit designation on mating connector