

**PLEASE CHECK WWW.MOLEX.COM FOR LATEST PART INFORMATION**

**Part Number:** [0442450020](#)  
**Status:** **Active**  
**Description:** 1.27mm (.050") Pitch SliderZ™ Board-to-Board Connector, Hermaphroditic

**Documents:**

[3D Model](#) [Product Specification PS-44245-999 \(PDF\)](#)  
[Drawing \(PDF\)](#) [RoHS Certificate of Compliance \(PDF\)](#)  
[Packaging Specification \(PDF\)](#)

**General**

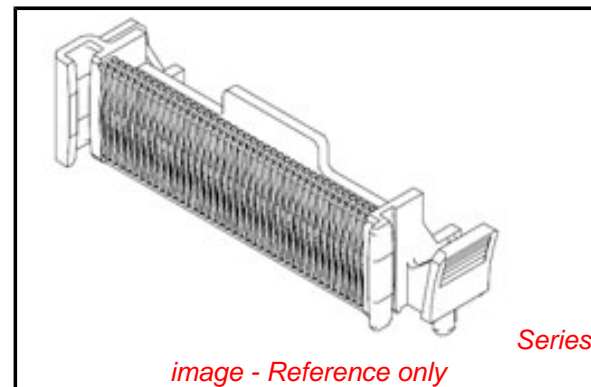
Product Family	PCB Headers
Series	<a href="#">44245</a>
Application	Board-to-Board
Product Name	SliderZ™

**Physical**

Breakaway	No
Circuits (Loaded)	20
Circuits (maximum)	20
Durability (mating cycles max)	1,000
First Mate / Last Break	No
Glow-Wire Compliant	No
Guide to Mating Part	No
Keying to Mating Part	None
Lock to Mating Part	No
Material - Metal	High Performance Alloy (HPA)
Material - Plating Mating	Gold
Material - Plating Termination	Tin
Number of Rows	2
Orientation	Vertical
PC Tail Length (in)	0.120 In
PC Tail Length (mm)	3.05 mm
PCB Locator	Yes
PCB Retention	Yes
PCB Thickness Recommended (in)	0.056 In
PCB Thickness Recommended (mm)	1.42 mm
Packaging Type	Tray
Pitch - Mating Interface (in)	0.050 In
Pitch - Mating Interface (mm)	1.27 mm
Pitch - Term. Interface (in)	0.050 In
Pitch - Term. Interface (mm)	1.27 mm
Plating min: Mating (µin)	30
Plating min: Mating (µm)	0.75
Plating min: Termination (µin)	120
Plating min: Termination (µm)	3
Polarized to Mating Part	Yes
Polarized to PCB	No
Shrouded	Fully
Stackable	No
Surface Mount Compatible (SMC)	No
Temperature Range - Operating	-40°C to +85°C
Termination Interface: Style	Through Hole

**Electrical**

Current - Maximum per Contact	1.25A
Voltage - Maximum	30V AC (RMS)



**EU RoHS**

**ELV and RoHS  
Compliant**  
**REACH SVHC**  
 Not Reviewed  
**Halogen-Free  
Status**  
 Not Reviewed

**China RoHS**



**Need more information on product  
environmental compliance?**

Email [productcompliance@molex.com](mailto:productcompliance@molex.com)  
 For a multiple part number RoHS Certificate of  
 Compliance, [click here](#)

Please visit the [Contact Us](#) section for any  
 non-product compliance questions.

**Search Parts in this Series**

[44245Series](#)

**Solder Process Data**

Lead-free Process Capability

Wave Capable (TH only)

**Material Info****Reference - Drawing Numbers**

Packaging Specification

PK-44245-001, PK-44783-001

Product Specification

PS-44245-999

Sales Drawing

SD-44245-002, SD-44783-001

Test Summary

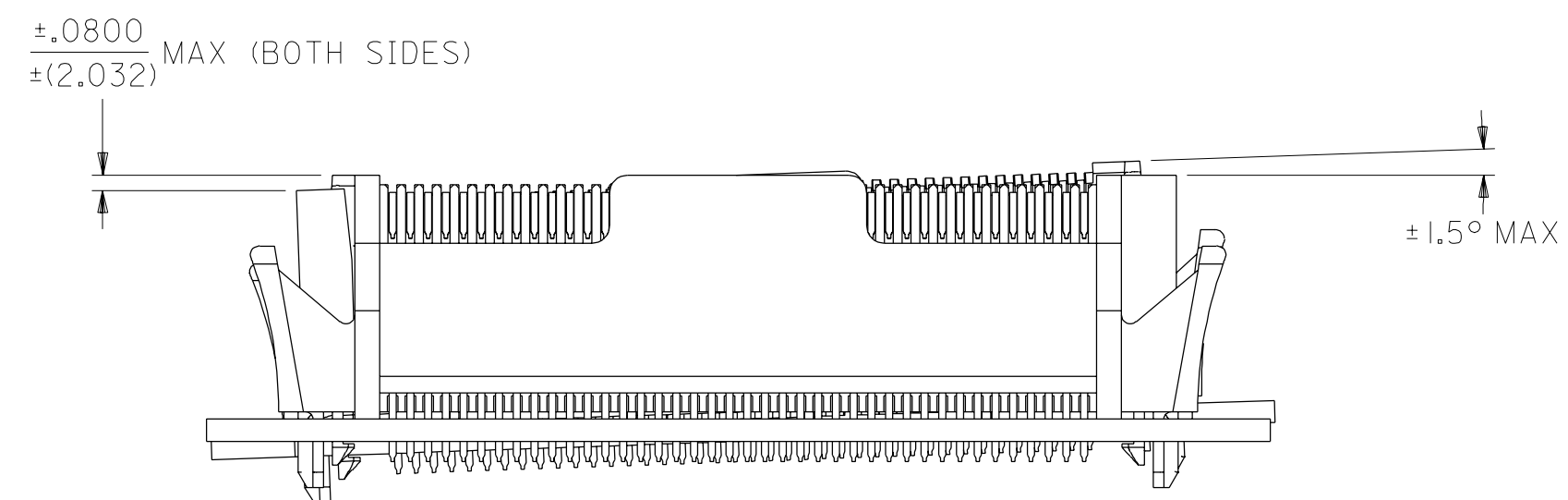
TS-44245-999

This document was generated on 06/07/2010

**PLEASE CHECK [WWW.MOLEX.COM](http://WWW.MOLEX.COM) FOR LATEST PART INFORMATION**

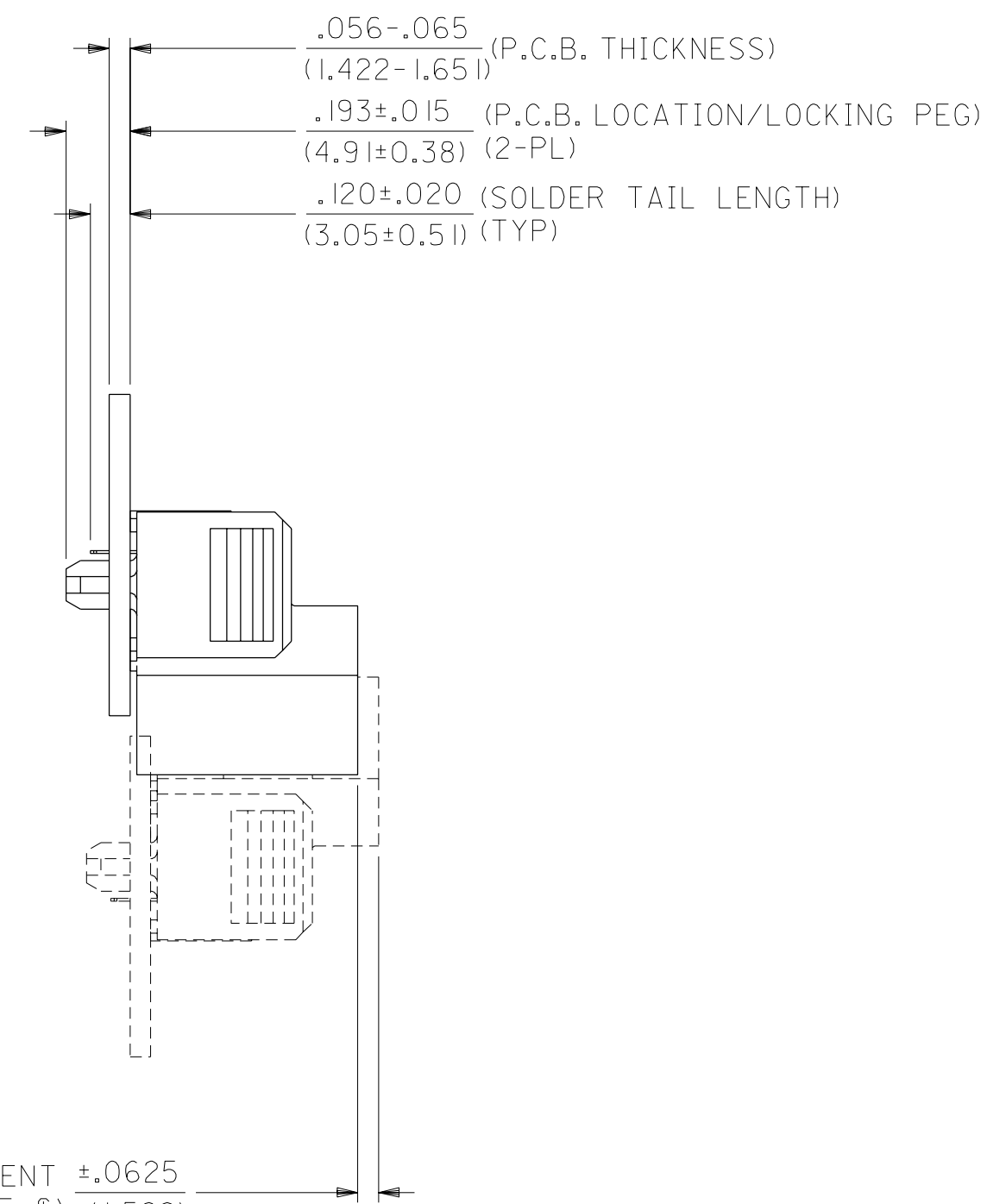
**NOTES:**

- MATERIAL:  
HOUSING: GLASS FILLED POLYESTER, UL94V-0; COLOR = BLACK  
CONTACTS: COPPER ALLOY
- FINISH: .000030/(0.00076) MIN. GOLD ON CONTACTS, .000080/(0.00203) MIN. TIN ON SOLDER TAILS, OVER .000050/(0.00127) MIN. NICKEL OVERALL.  
\* THE PRIMARY SHIPPING CARTON WILL BE LABELED "COMPLIANT TO ROHS DIRECTIVE 2002/95/EC AND ELV ANNEX I OF DIRECTIVE 2000/53/EC" CARTONS WITHOUT THIS LABEL MAY CONTAIN PRODUCT WITH TIN-LEAD IN THE PC TAIL AREA
- PRODUCT SPECIFICATION: PS-44245-999.
- THE HOLES FOR THE BOARD LOCKS SHALL NOT BE PLATED THRU.
- COPPER TRACES NOT RECOMMENDED BENEATH THE STAND-OFF'S.

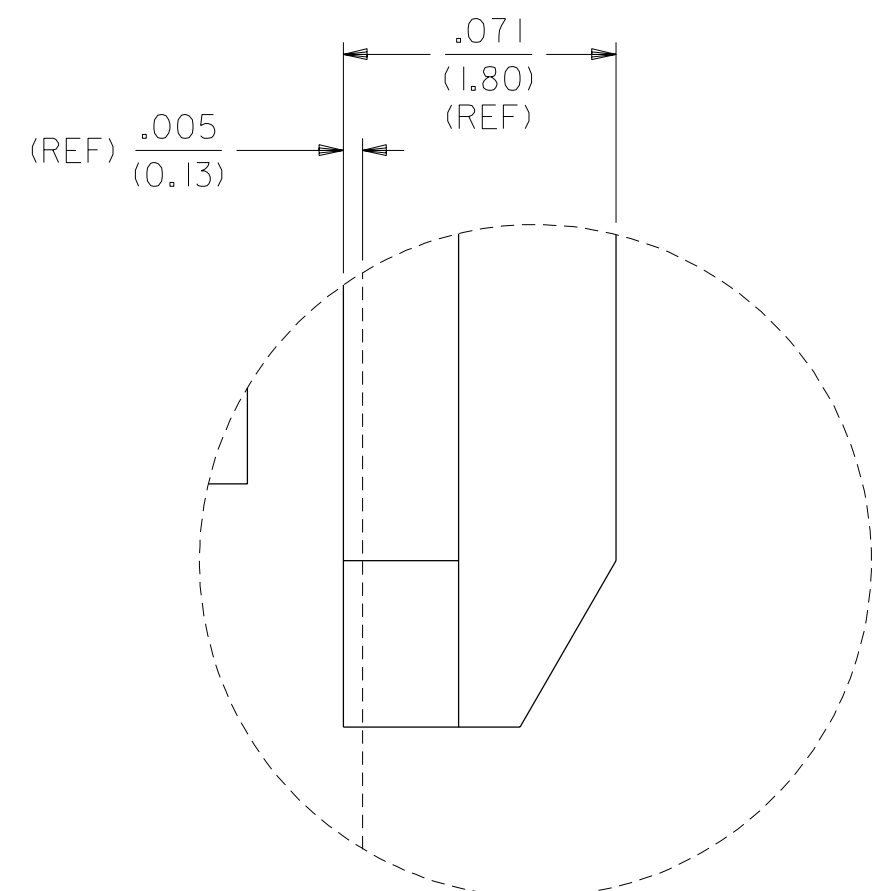
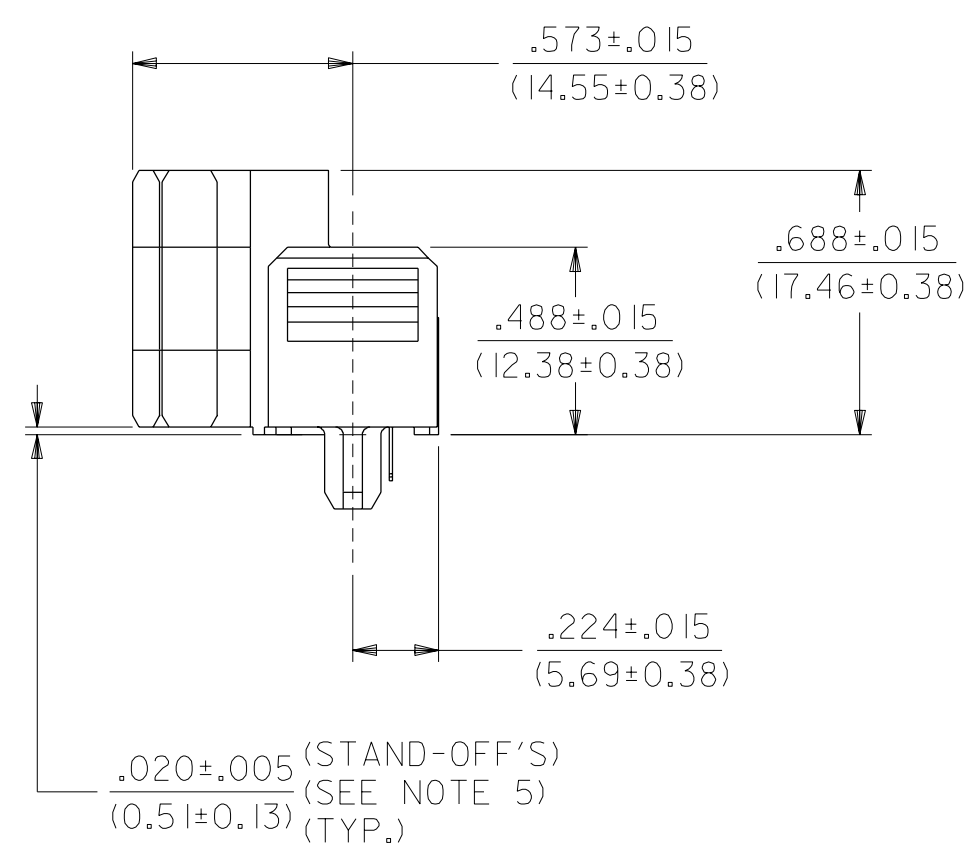
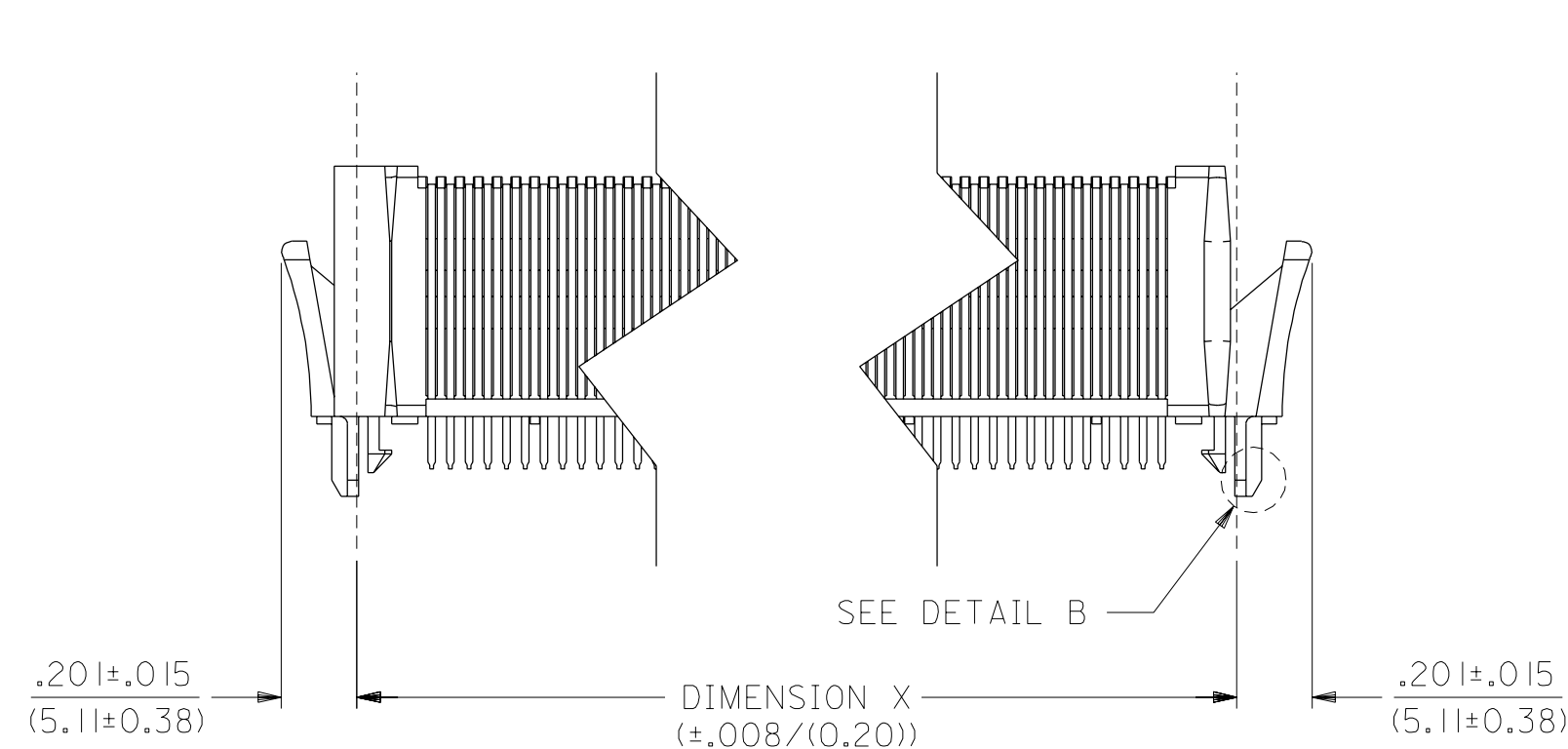
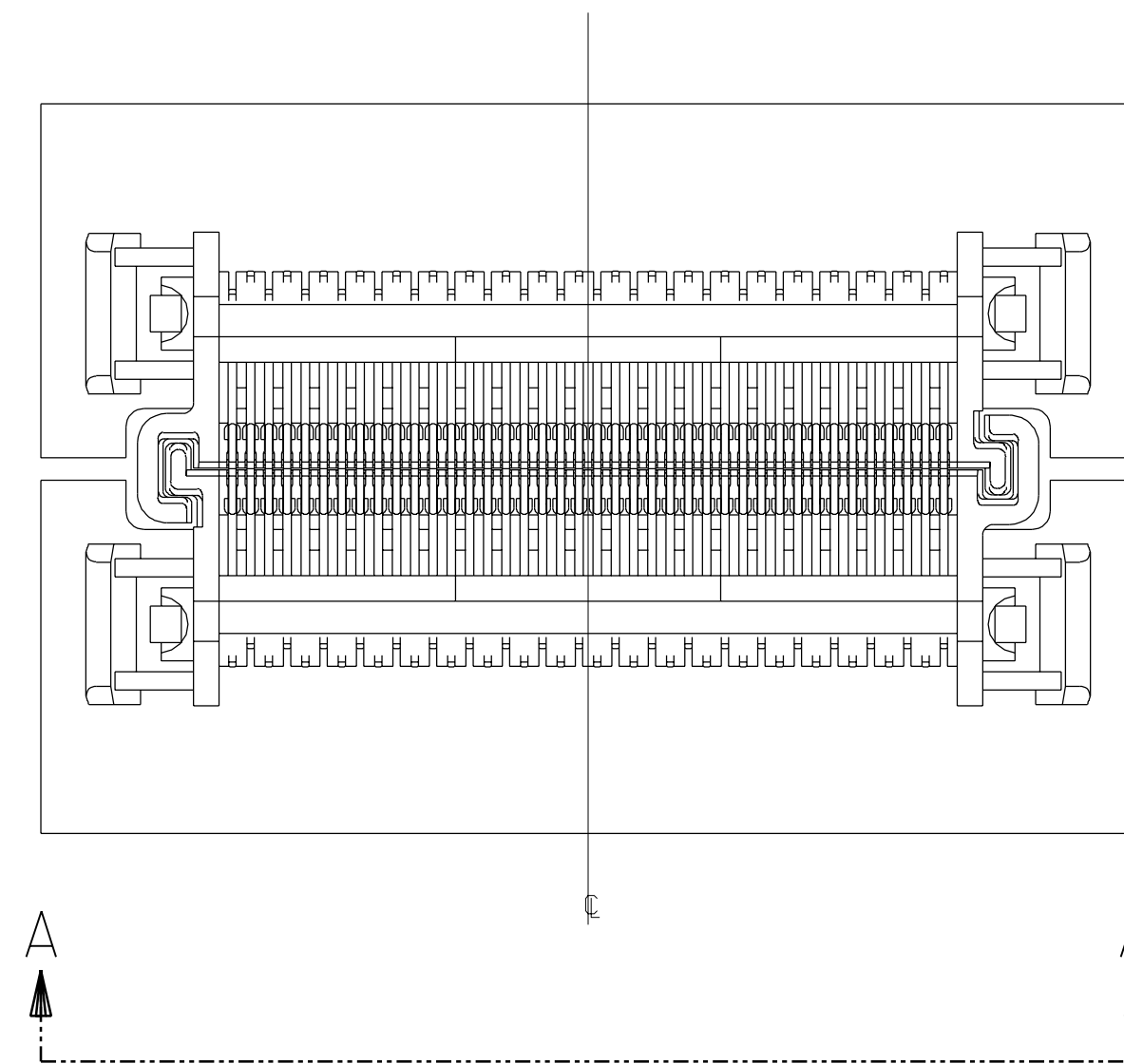


**VIEW A-A**

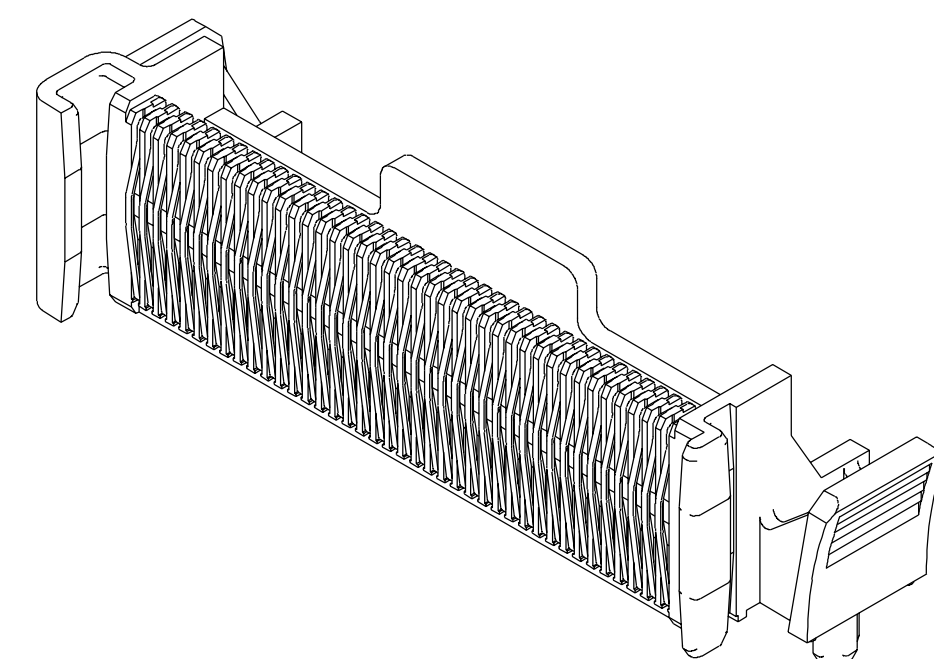
(ALLOWANCE FOR ANGULAR MISALIGNMENT)  
(BOTH LIMIT CONDITIONS MUST BE MET)



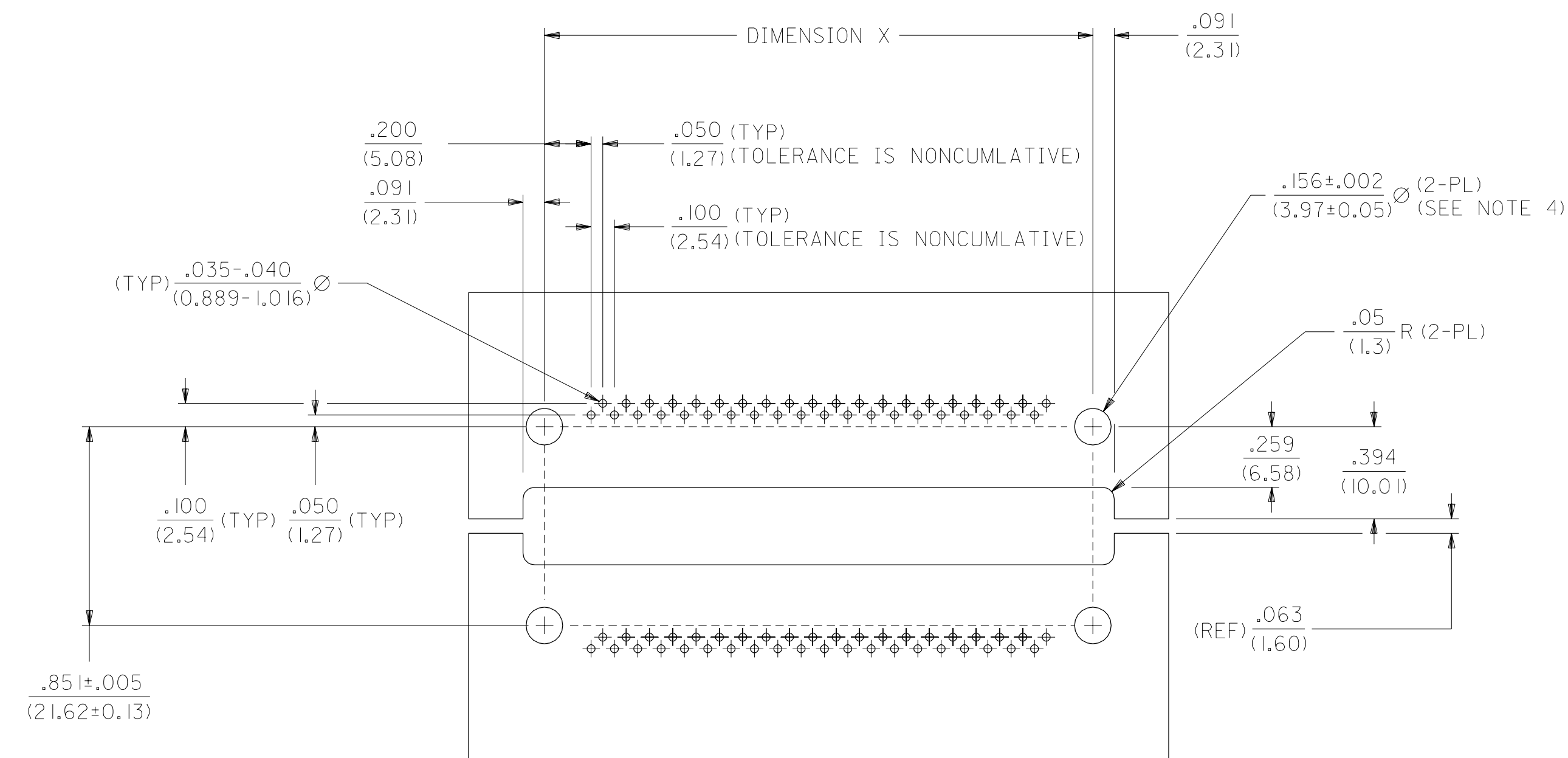
MAXIMUM LINEAR MISALIGNMENT ±.0625  
(TAKE THIS MEASUREMENT AT THE CENTERLINE, C) ±(1.588)



**DETAIL B**  
(SCALE 20:1)



ISOMETRIC PROJECTION OF 442450040  
(FORTY CIRCUITS)



**RECOMMENDED LAYOUT FOR P.C.B.'S**  
(FORTY CIRCUIT CONFIGURATION IS PROTRAYED)

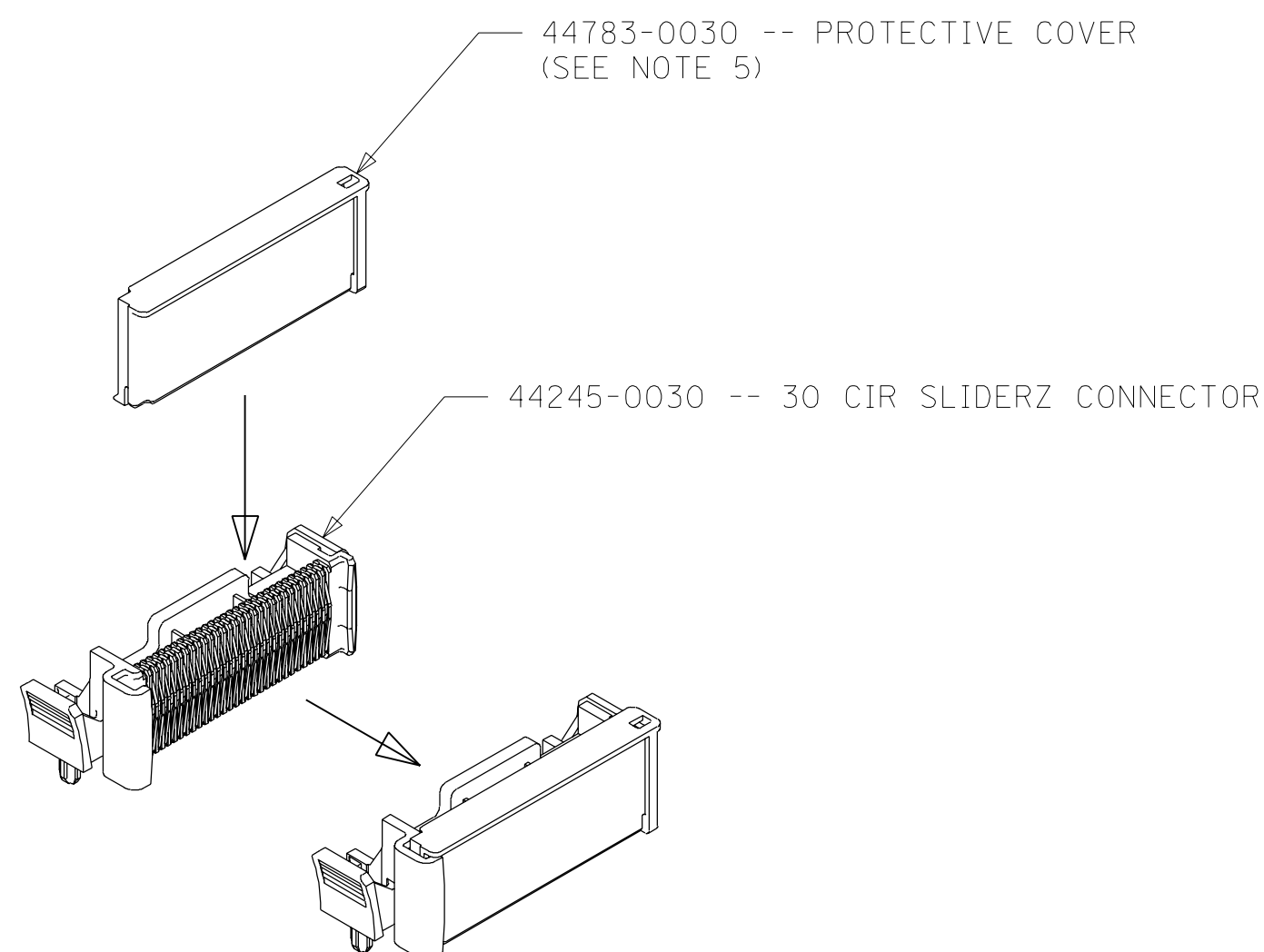
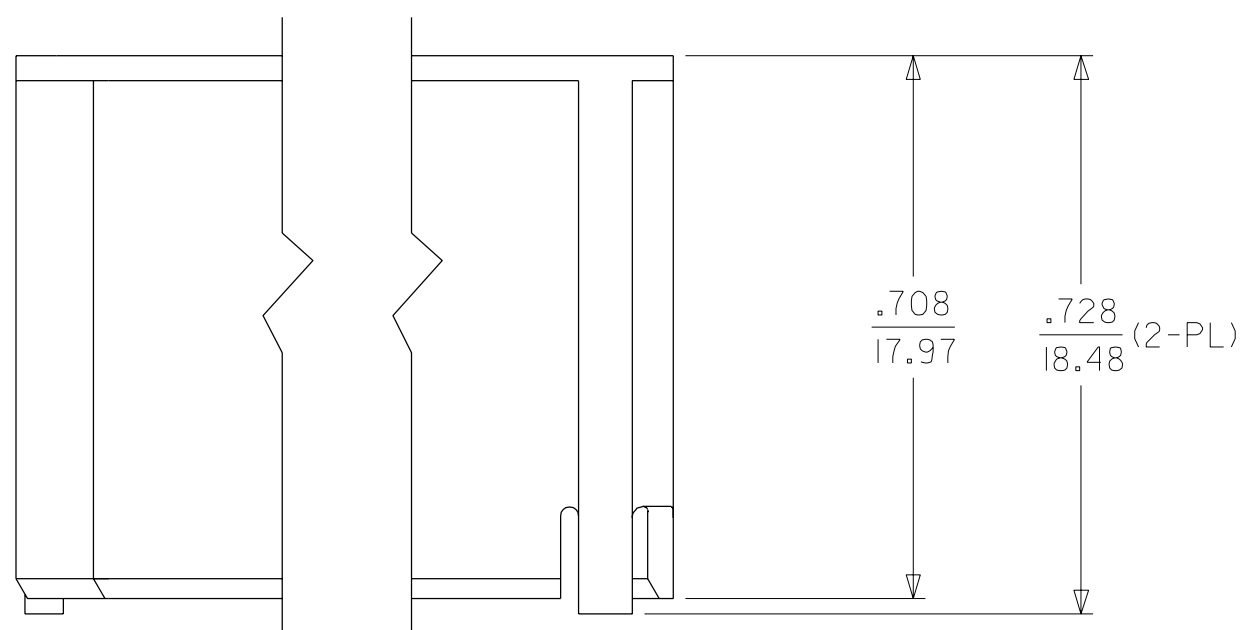
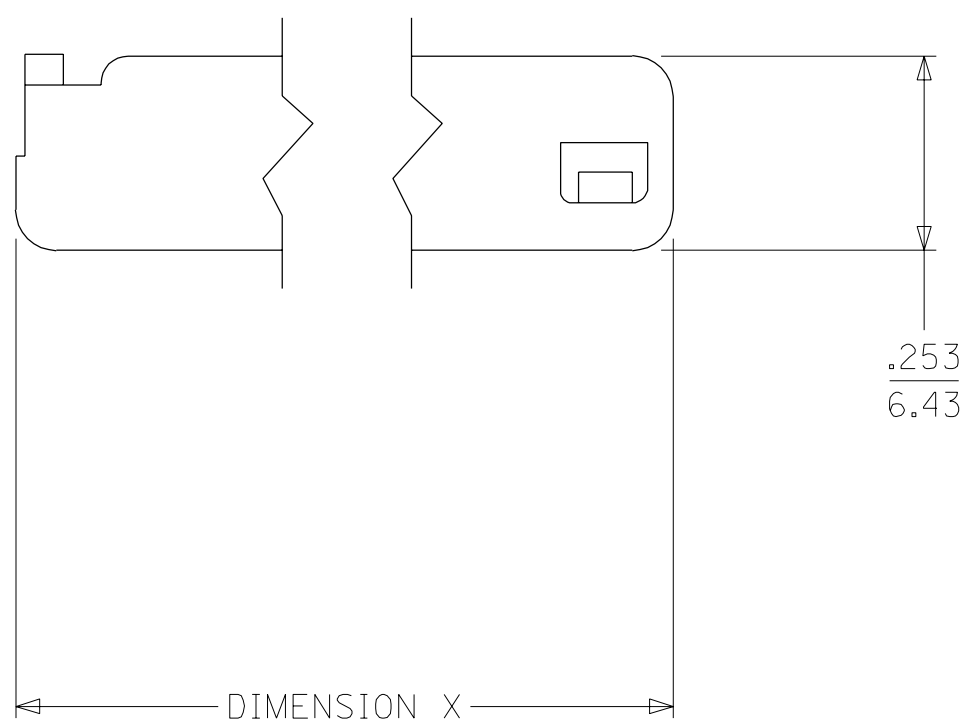
MATERIAL NUMBER	CIRCUIT SIZE	DIMENSION X
442450010	10	.850/(21.59)
442450020	20	1.350/(34.29)
442450030	30	1.850/(46.99)
442450040	40	2.350/(59.69)
442450050	50	2.850/(72.39)
442450060	60	3.350/(85.09)

REVISED C	EC NO. UCP2004-2332 DRWN:PELOZA 04/05/21 CHK:PELOZA 04/05/21 APPR:COMERCI 04/05/21	QUALITY SYMBOLS MAJOR = 0 CRITICAL = 0	GENERAL TOLERANCES: (UNLESS SPECIFIED)		SCALE 2 : 1	DESIGN UNITS <input type="checkbox"/> mm <input checked="" type="checkbox"/> INCH	THIRD ANGLE PROJECTION <input type="checkbox"/> mm <input checked="" type="checkbox"/> INCH ONLY	SHT REV	
			4 PLACES ±0.--- ±.---		DRAWN BY & DATE PELOZA 99/01/25				TITLE: PASS THRU CONNECTOR ASSEMBLY HERMAPHRODITIC MATE MOLEX INCORPORATED
			3 PLACES ±0.--- ±.003		CHECKED BY & DATE PELOZA 99/01/25				
			2 PLACES ±0.08 ±.010		APPROVED BY & DATE COMERCI 99/01/25				
1 PLACE ±0.25 ±.---		CAD FILENAME		MATERIAL NO. SEE CHART	DRAWING NO. SD -44245-002	SHEET NO. 1 OF 1			
DRAFT WHERE APPLICABLE MUST REMAIN WITHIN DIMENSIONS			ANGULAR: ±1/2 °			THIS DRAWING CONTAINS INFORMATION THAT IS PROPRIETARY TO MOLEX INCORPORATED AND SHOULD NOT BE USED WITHOUT WRITTEN PERMISSION.			

NOTES:

1. MATERIAL: 66 NYLON, COLOR = BLACK.
2. FINISH: NOT APPLICABLE.
3. PRODUCT SPECIFICATION: NOT APPLICABLE.
4. DIMENSIONS AND FEATURES PLACED ACROSS A CENTERLINE TO BE SYMMETRIC ABOUT THAT CENTERLINE TO WITHIN .004"/0.10mm TOTAL.
5. THE PROTECTIVE COVER IS CAREFULLY PUSHED ONTO THE SLIDERZ CONNECTOR UNTIL THE LATCHING MEMBERS ENGAGE, WHICH IS SIGNALLED BY A "SNAP."

MATERIAL NUMBER	DIMENSION X	DESCRIPTION
447830010	.856"/21.74mm	PROTECTIVE COVER FOR THE 10 CIRCUIT SLIDERZ
447830020	1.356"/34.44mm	CONTACT FACTORY FOR AVAILABILITY -- PROTECTIVE COVER FOR THE 20 CIRCUIT SLIDERZ
447830030	1.856"/47.14mm	CONTACT FACTORY FOR AVAILABILITY -- PROTECTIVE COVER FOR THE 30 CIRCUIT SLIDERZ
447830040	2.356"/59.84mm	CONTACT FACTORY FOR AVAILABILITY -- PROTECTIVE COVER FOR THE 40 CIRCUIT SLIDERZ
447830050	2.856"/72.54mm	CONTACT FACTORY FOR AVAILABILITY -- PROTECTIVE COVER FOR THE 50 CIRCUIT SLIDERZ
447830060	3.356"/85.24mm	CONTACT FACTORY FOR AVAILABILITY -- PROTECTIVE COVER FOR THE 60 CIRCUIT SLIDERZ



ISOMETRIC PROJECTION OF 44783 AND ITS APPLICATION (NO SCALE)

REVISED B	EC NO. UCP2003-0626 DRWN:PELOZA 02/10/11 CHK:PELOZA 02/10/11 APPR:COMERCI 02/10/11	DESCRIPTION	QUALITY SYMBOLS	GENERAL TOLERANCES: (UNLESS SPECIFIED)		SCALE 4 : 1	DESIGN UNITS <input type="checkbox"/> mm <input checked="" type="checkbox"/> INCH	THIRD ANGLE PROJECTION <input checked="" type="checkbox"/>	DIMENSIONS: <input type="checkbox"/> mm <input checked="" type="checkbox"/> INCH <input type="checkbox"/> mm ONLY		SHT	REV
			MAJOR $\nabla=0$	mm	INCH	DRAWN BY & DATE		TITLE: PROTECTIVE COVER FOR SLIDERZ		MATERIAL NO.	DRAWING NO.	SHEET NO.
			CRITICAL $\nabla C=0$	4 PLACES ±0.---	±.---	PELOZA 00/08/16		MOLEX INCORPORATED				
				3 PLACES ±0.---	±0.10	CHECKED BY & DATE						
	2 PLACES ±0.25	±0.15	PELOZA 00/08/16				SEE CHART		SD -44783-001	1 OF 1		
	1 PLACE ±0.38	±.---	APPROVED BY & DATE		COMERCI 00/08/16							
	ANGULAR: ±1 °		CAD FILENAME									
DRAFT WHERE APPLICABLE MUST REMAIN WITHIN DIMENSIONS			THIS DRAWING CONTAINS INFORMATION THAT IS PROPRIETARY TO MOLEX INCORPORATED AND SHOULD NOT BE USED WITHOUT WRITTEN PERMISSION.									SIZE C