

## 1N4148 Quadro MELF SIGNAL DIODE

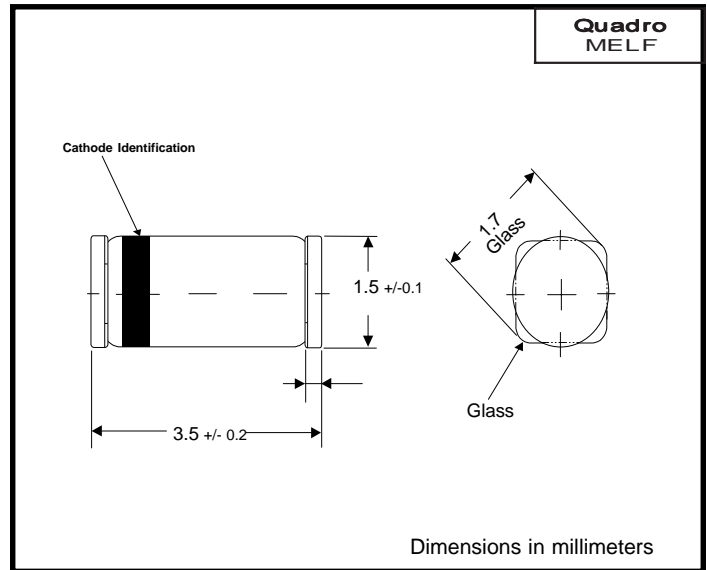
**Pb Free Product**

### Absolute Maximum Ratings (Ta=25°C)

| Items                                 | Symbol | Ratings    | Unit |
|---------------------------------------|--------|------------|------|
| Reverse Voltage                       | VR     | 75         | V    |
| Reverse Recovery Time                 | trr    | 4          | ns   |
| Power Dissipation<br>3.33mW/°C (25°C) | P      | 500        | mW   |
| Forward Current                       | IF     | 150        | mA   |
| Junction Temp.                        | Tj     | -65 to 175 | °C   |
| Storage Temp.                         | Tstg   | -65 to 175 | °C   |

### Mechanical Data

| Items       | Materials                  |
|-------------|----------------------------|
| Package     | QUADRO MELF                |
| Case        | Hermetically sealed glass  |
| Lead/Finish | Double stud/Solder Plating |
| Chip        | Glass Passivated           |



### Electrical Characteristics (Ta=25°C)

| Ratings   | Symbol  | Ratings            | Unit |
|---|---------|--------------------|------|
| Minimum Breakdown Voltage<br>@IR= 100uA                               | BV      | 100                | V    |
| Peak Forward Surge Current<br>tp= 1μsec.                              | IFsurge | 2                  | A    |
| Maximum Forward Voltage<br>IF= 10mA                                   | VF      | 1.0                | V    |
| Maximum Reverse Current<br>VR= 20V<br>VR= 75V<br>VR= 20V, Tj= 150°C   | IR      | 0.025<br>5.0<br>50 | uA   |
| Maximum Junction Capacitance<br>VR= 0, f= 1 MHz                       | Cj      | 4                  | pF   |
| Maximum Reverse Recovery Time<br>IF= 10mA, VR= 6V, IRR= 1mA, RL= 100Ω | trr     | 4                  | ns   |
| Maximum Thermal Resistance (on PC Board 50mm x 50mm x 1.6mm)          | RθJA    | 500                | °C/W |
| Maximum Rectification Efficiency<br>Vrf= 2V, f= 100MHz                | ηv      | 0.45               | %    |