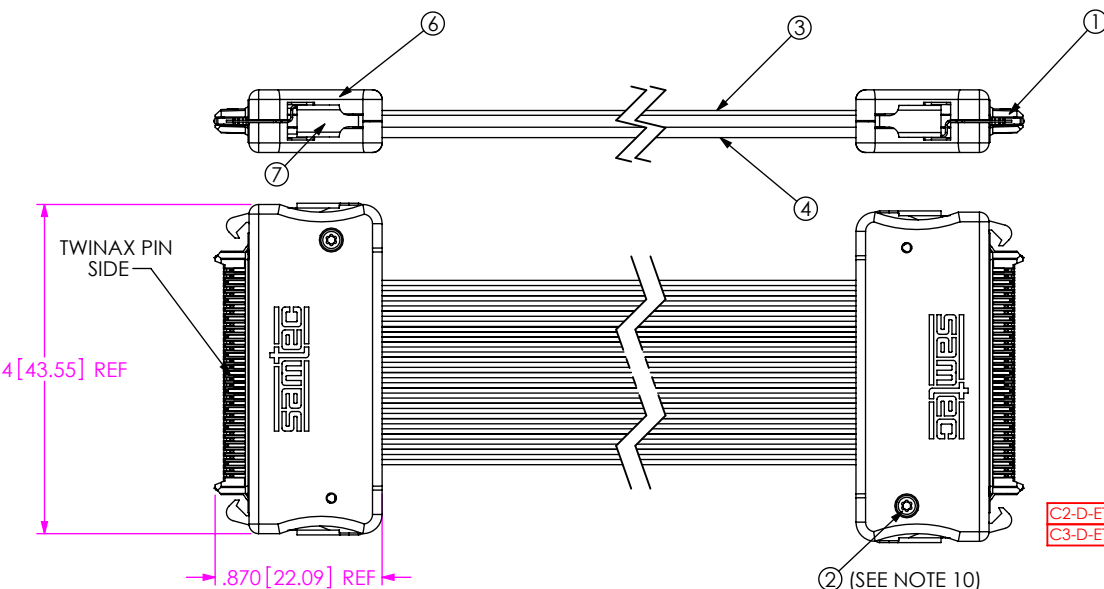
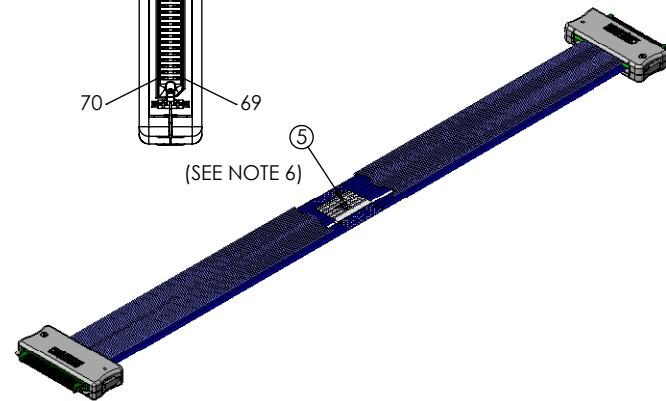
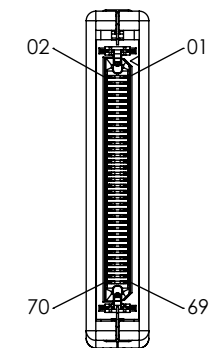
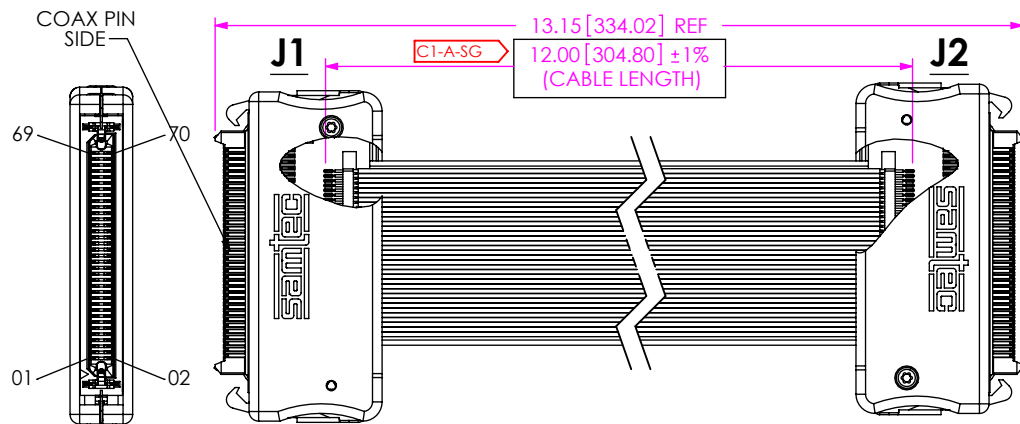


REVISION

0	TP	J RILEY
8/26/2008	ECN-96219	
ISSUE FOR REVIEW		
1	JH	J RILEY
10/7/2008	ECN-98540	
CHG STS-01 TO STS-04; ADD NOTE 10		
A	BR	J RILEY
3/20/2009	ECN-107327	
SHT 3, TABLE 1- POS 24, 30, 36, 42, 48, 54, 60, 66: CHG FROM GROUND TO SIGNAL (COAX); RELEASE FOR PRODUCTION		

HDR SETUP OPTION:	NA
PCB SETUP OPTION:	OPTION 4

**Pb** THIS PRODUCT MANUFACTURED WITH LEAD-FREE PROCESSING



- NOTES:
1. CABLE ASSEMBLY CONFIGURATION IS NON-STANDARD.
  2. **C1-A-SG** REPRESENTS A CRITICAL DIMENSION.
  3. PARTS TO BE PROCESSED PER SAMTEC ACCEPTABILITY REQUIREMENTS: HDR-PI-01 "CABLE ASSEMBLY WORKMANSHIP STANDARDS".
  4. ALL ASSEMBLIES TO BE 100% ELECTRICALLY TESTED.
  5. ALL ASSEMBLIES TO BE 100% HI-POT TESTED AT 300V.
  6. ITEM 5 TO BE CENTERED ON ITEM 4 AS SHOWN. ITEM 5 TO CONTAIN: LINE 1 - PART NUMBER "HDR-XXXXXX-XX", LINE 2 - SHOP ORDER NUMBER "XXXXXX", AND LINE 3 - DATE CODE "XXXXX". NUMERIC REVISION PRODUCT WILL HAVE ADDITIONAL LABEL INDICATING "RELEASE FOR LIMITED PRODUCTION".
  7. FOR PROCESSING INFORMATION ON SUB-ASSEMBLIES, REFERENCE SUB-HDR-142120-XX TRAVELER.XLS.
  8. PARTS TO BE PACKAGED IN STATIC DISSIPATION BAGS.
  9. PANEL PCB-101398-HDR-XX YIELDS (6) PCB-101398-HDR-01.
  10. TIGHTEN STS-04 FASTENERS TO 1.4-1.7 IN-LBS (4 PLCS).

DATE: \_\_\_\_\_  
 COMPANY: \_\_\_\_\_  
 CUSTOMER SIGNATURE: \_\_\_\_\_  
 PRINTED NAME: \_\_\_\_\_  
 PHONE NO: \_\_\_\_\_  
 FAX NO: \_\_\_\_\_

ACCEPTANCE OF DRAWING  
 ACCEPTED WITH DEVIATIONS LISTED

HDR-142120-01 BOM				
ITEM NO.	PART NUMBER	DESCRIPTION	QUANTITY	MATERIAL
1	SUB-HDR-142120-01	SUB ASSEMBLY	2	SUB ASSEMBLY
2	STS-04	FASTENER	4	LOW CARBON STEEL
3	SUB-TCF-3850-35-01-12.00	COAX CABLE	1	SUB ASSEMBLY
4	SUB-TTF-30100-12-01-12.00	TWIN-AX CABLE	1	SUB ASSEMBLY
5	HDRL-11	LABEL	1	SELF LAMINATING VINYL
6	ECD-35-03	HOUSING	4	IDEMITSU XAREC EA522 BK
7	LTC-16-01	SPRING LATCH	4	BERYLLIUM COPPER
8	DOW-0469-1250-01	DOWEL PIN	4	ACETAL

TOLERANCES DO NOT APPLY TO REFERENCE DIMENSIONS, UNLESS OTHERWISE SPECIFIED. DIMENSIONS ARE IN INCHES.  
 TOLERANCES ARE:  
 DECIMALS      ANGLES  
 .XX: ±.01 [3]      2°  
 .XXX: ±.005 [13]  
 .XXXX: ±.0020 [051]

**PROPRIETARY NOTE**  
 THIS DOCUMENT CONTAINS INFORMATION CONFIDENTIAL AND PROPRIETARY TO SAMTEC, INC. AND SHALL NOT BE REPRODUCED OR TRANSFERRED TO OTHER DOCUMENTS OR DISCLOSED TO OTHERS OR USED FOR ANY PURPOSE OTHER THAN THAT WHICH IT WAS OBTAINED WITHOUT THE EXPRESSED WRITTEN CONSENT OF SAMTEC, INC.

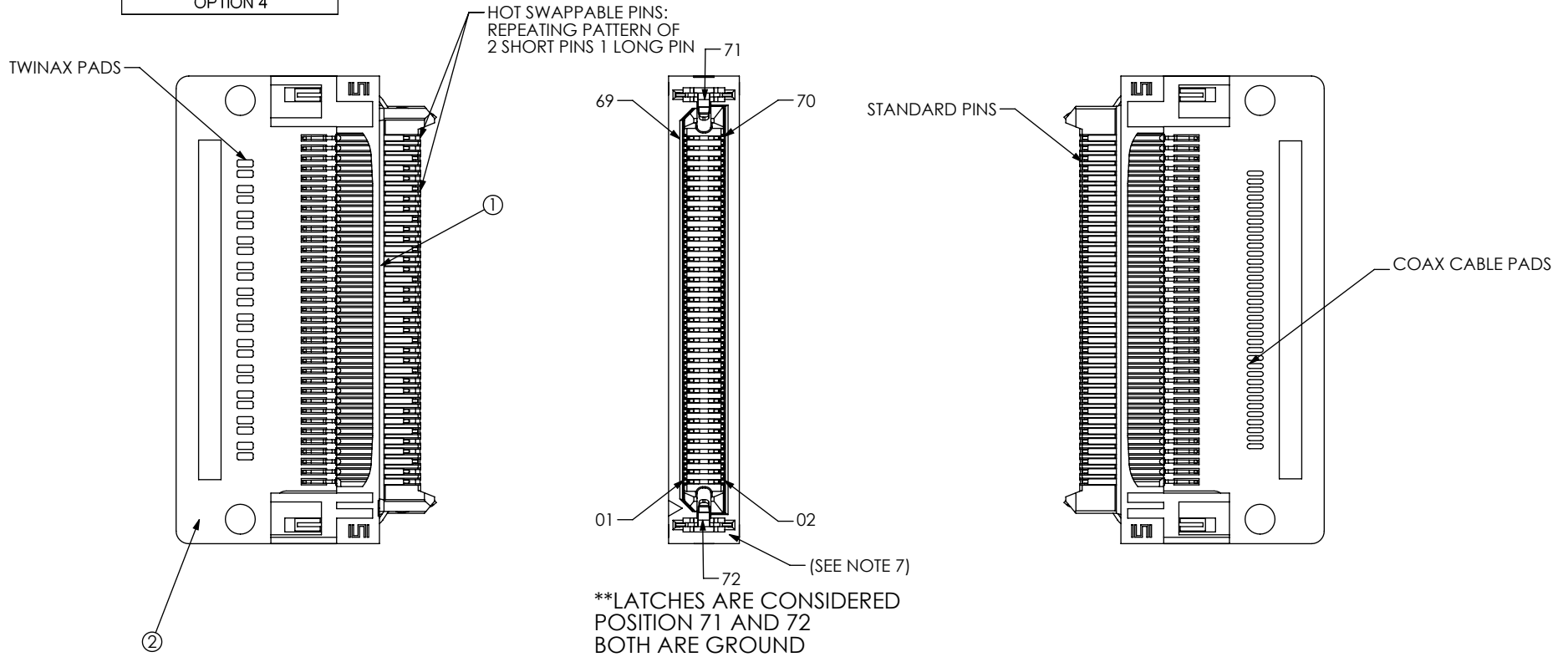


520 PARK EAST BLVD, NEW ALBANY, IN 47150  
 PHONE: 812-944-6733      FAX: 812-948-5047  
 e-Mail: info@SAMTEC.com      code: 55322

DO NOT SCALE DRAWING	SHEET SCALE: 1:1	DESCRIPTION: CUSTOM HDR CABLE ASSEMBLY
		DWG. NO. HDR-142120-01
BY: Tyler P	8/26/2008	SHEET 1 OF 3

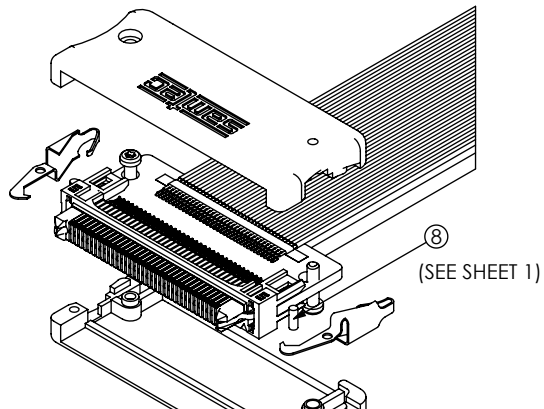
HDR SETUP OPTION:
NA
PCB SETUP OPTION:
OPTION 4

**J1**  
**SUB-HDR-T42120-01**



**\*\*LATCHES ARE CONSIDERED POSITION 71 AND 72 BOTH ARE GROUND**

SUB-HDR-142120-01 BOM			
ITEM NO.	PART NUMBER	QUANTITY	MATERIAL
1	ASP-135040-01	1	CONNECTOR
2	PCB- 101398-HDR-01	1	PCB



**PROPRIETARY NOTE**

THIS DOCUMENT CONTAINS INFORMATION CONFIDENTIAL AND PROPRIETARY TO SAMTEC, INC. AND SHALL NOT BE REPRODUCED OR TRANSFERRED TO OTHER DOCUMENTS OR DISCLOSED TO OTHERS OR USED FOR ANY PURPOSE OTHER THAN THAT WHICH IT WAS OBTAINED WITHOUT THE EXPRESSED WRITTEN CONSENT OF SAMTEC, INC.



520 PARK EAST BLVD, NEW ALBANY, IN 47150  
PHONE: 812-944-6733 FAX: 812-948-5047  
e-Mail: info@SAMTEC.com code: 55322

SHEET SCALE: 2:1

DESCRIPTION: CUSTOM HDR CABLE ASSEMBLY

DWG. NO. HDR-142120-01

BY: Tyler P 8/26/2008 SHEET 2 OF 3

TABLE 1

SIGNAL MAPPING \*

J1 (ODD)	SIG/GND	J2 (ODD)	J1 (EVEN)	SIG/GND	J2 (EVEN)
1	SIGNAL (TWIN-AX)	69	2	SIGNAL (COAX)	70
3	SIGNAL (TWIN-AX)	67	4	SIGNAL (COAX)	68
5	GROUND	65	6	SIGNAL (COAX)	66
7	SIGNAL (TWIN-AX)	63	8	SIGNAL (COAX)	64
9	SIGNAL (TWIN-AX)	61	10	SIGNAL (COAX)	62
11	GROUND	59	12	SIGNAL (COAX)	60
13	SIGNAL (TWIN-AX)	57	14	SIGNAL (COAX)	58
15	SIGNAL (TWIN-AX)	55	16	SIGNAL (COAX)	56
17	GROUND	53	18	SIGNAL (COAX)	54
19	SIGNAL (TWIN-AX)	51	20	SIGNAL (COAX)	52
21	SIGNAL (TWIN-AX)	49	22	SIGNAL (COAX)	50
23	GROUND	47	24	SIGNAL (COAX)	48
25	SIGNAL (TWIN-AX)	45	26	SIGNAL (COAX)	46
27	SIGNAL (TWIN-AX)	43	28	SIGNAL (COAX)	44
29	GROUND	41	30	SIGNAL (COAX)	42
31	SIGNAL (TWIN-AX)	39	32	SIGNAL (COAX)	40
33	SIGNAL (TWIN-AX)	37	34	SIGNAL (COAX)	38
35	GROUND	35	36	SIGNAL (COAX)	36
37	SIGNAL (TWIN-AX)	33	38	SIGNAL (COAX)	34
39	SIGNAL (TWIN-AX)	31	40	SIGNAL (COAX)	32
41	GROUND	29	42	SIGNAL (COAX)	30
43	SIGNAL (TWIN-AX)	27	44	SIGNAL (COAX)	28
45	SIGNAL (TWIN-AX)	25	46	SIGNAL (COAX)	26
47	GROUND	23	48	SIGNAL (COAX)	24
49	SIGNAL (TWIN-AX)	21	50	SIGNAL (COAX)	22
51	SIGNAL (TWIN-AX)	19	52	SIGNAL (COAX)	20
53	GROUND	17	54	SIGNAL (COAX)	18
55	SIGNAL (TWIN-AX)	15	56	SIGNAL (COAX)	16
57	SIGNAL (TWIN-AX)	13	58	SIGNAL (COAX)	14
59	GROUND	11	60	SIGNAL (COAX)	12
61	SIGNAL (TWIN-AX)	9	62	SIGNAL (COAX)	10
63	SIGNAL (TWIN-AX)	7	64	SIGNAL (COAX)	8
65	GROUND	5	66	SIGNAL (COAX)	6
67	SIGNAL (TWIN-AX)	3	68	SIGNAL (COAX)	4
69	SIGNAL (TWIN-AX)	1	70	SIGNAL (COAX)	2
LATCH	GROUND	LATCH	LATCH	GROUND	LATCH

## PROPRIETARY NOTE

THIS DOCUMENT CONTAINS INFORMATION CONFIDENTIAL AND PROPRIETARY TO SAMTEC, INC. AND SHALL NOT BE REPRODUCED OR TRANSFERRED TO OTHER DOCUMENTS OR DISCLOSED TO OTHERS OR USED FOR ANY PURPOSE OTHER THAN THAT WHICH IT WAS OBTAINED WITHOUT THE EXPRESSED WRITTEN CONSENT OF SAMTEC, INC.

DO NOT SCALE DRAWING

SHEET SCALE: 2:1



520 PARK EAST BLVD., NEW ALBANY, IN 47150  
 PHONE: 812-944-6733 FAX: 812-948-5047  
 e-Mail: info@SAMTEC.com code: 55322

DESCRIPTION:

CUSTOM HDR CABLE ASSEMBLY

DWG. NO.

HDR-142120-01

BY: Tyler P

8/26/2008

SHEET 3 OF 3