



- 10/100 Base-T Ethernet Application
- Impedance: 100OHMS
- Transmit open circuit inductance (OCL): 350uH (MIN) @100KHz,0.1VRMS with 8mA DC Bias
- RJ45 jack cavity conforms to FCC rules and regulations Part 68, SUB Part F
- Industrial operating temp: -40°C to +85°C

Electrical Specifications @ 25°C

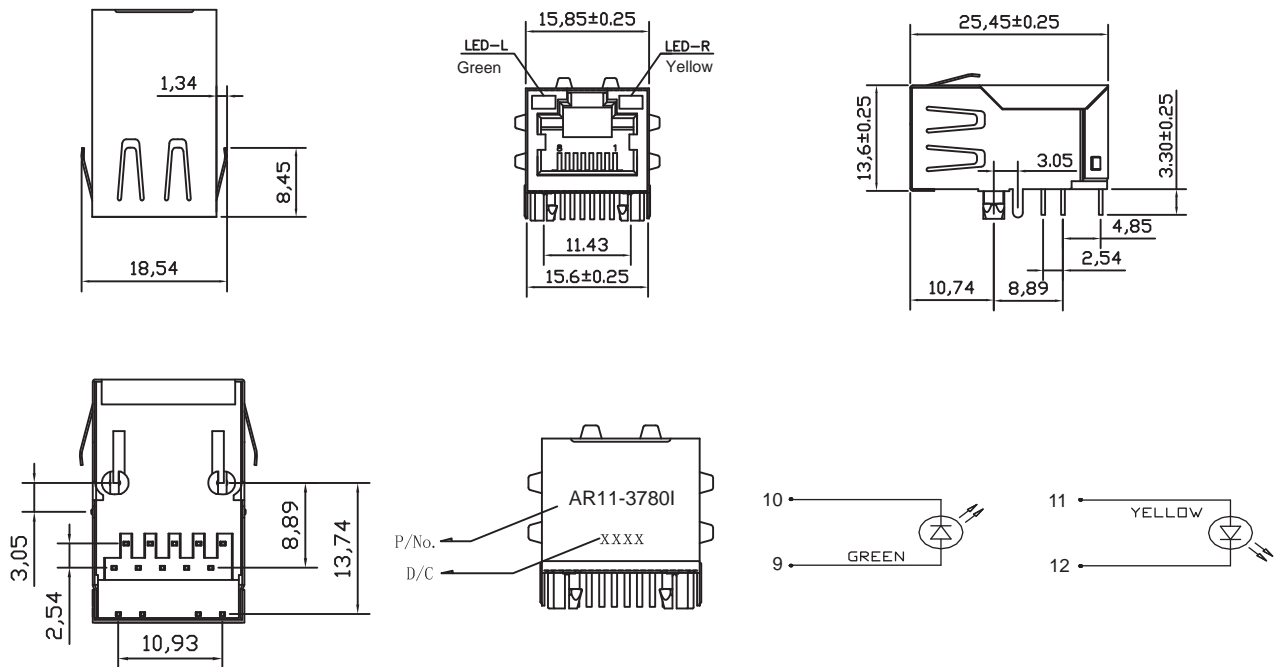
Part Number	OCL(uH Min) @ 100kHz, 0.1V With 8mA DC Bias	Turns Ratio	Insertion Loss (dB Max)	Return Loss (dB Min)		
			0.3-100MHz	30MHz	50MHz	80MHz
AR11-3780I	350	1:CT:1CT 1:CT 1:CT	-1.0	-18	-15	-12

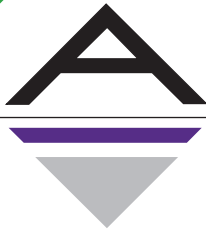
Electrical Specifications @ 25°C

Part Number	Cross Talk (dB Min)			CMR (dB Min)			HI-POT (Vrms) 0.5mA/2Sec.
	30MHz	60MHz	100MHz	30MHz	60MHz	100MHz	
AR11-3780I	-38	-38	-38	-40	-40	-40	1500

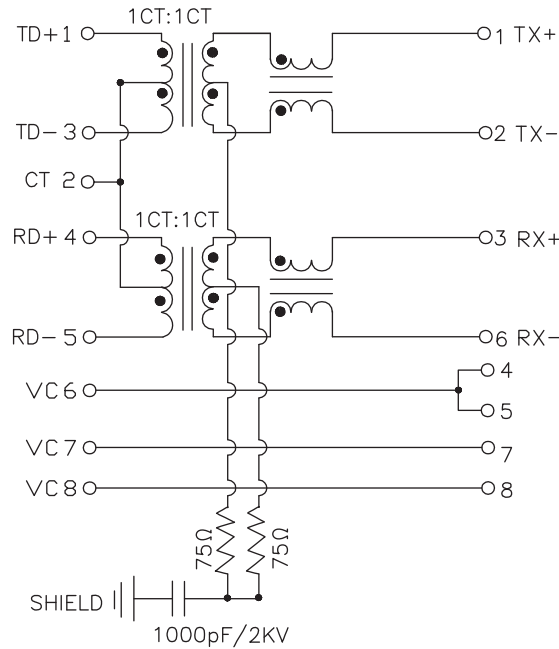
All specifications subject to change without notice.

MECHANICAL

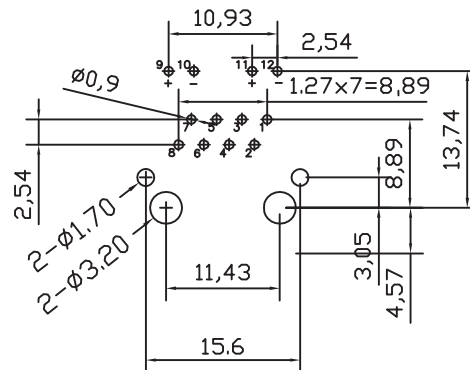




SCHEMATICS



PCB LAYOUT



NOTES

- 1. Shield- 0.20mm THICKNESS BRASS C2680 H.
PLATING NICKEL 30u"-50u"
- 2. Housing- Standard Material Nylon66, Glass filled
Polyester UL94V-0 Standard Color Black.
- 3. Insert Pin- Plastic: Nylon 66 G.F, UL94V-0, Standard Color Black.
Pin: 0.35mm Thickness Phos-Bronze C5210 EH.
Plating: Nickel 40u"-60u", for all and Sn100%, and 6u" Gold Plating.
- 4. Contact Pin- Plastic: PBT 30% G.F, Glass Filled, UL94V-0,
Standard Color Black.
Pin: 0.35mm Thickness Phos-Bronze C2680.
Plating: Nickel 40u"-60u" for all and Sn 100%.