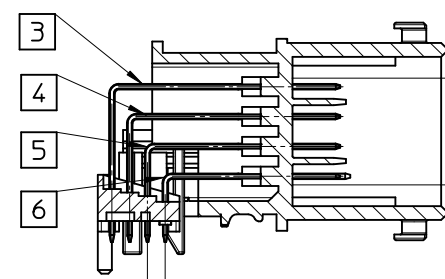
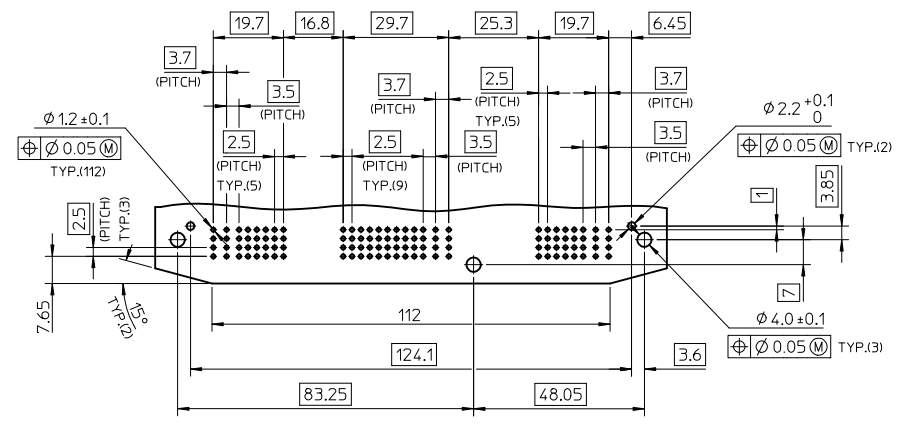


A-A



B-B

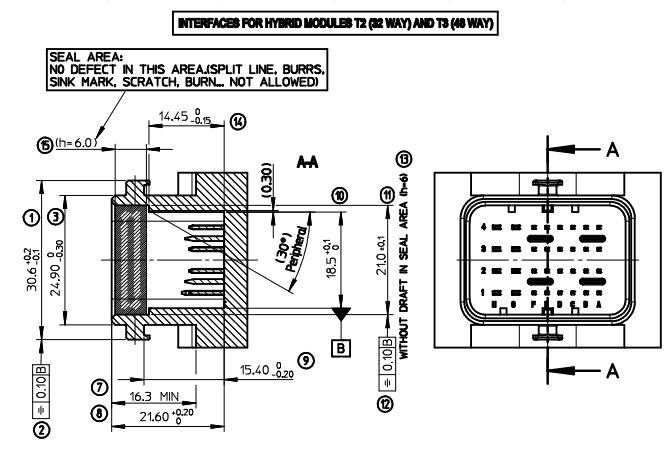
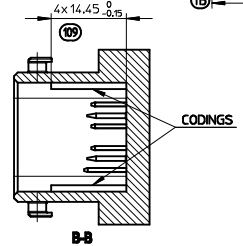
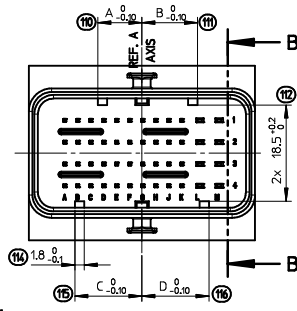
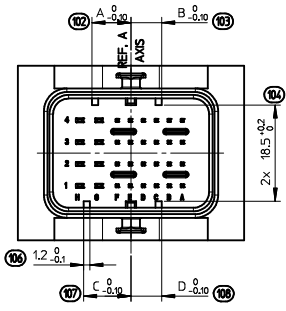
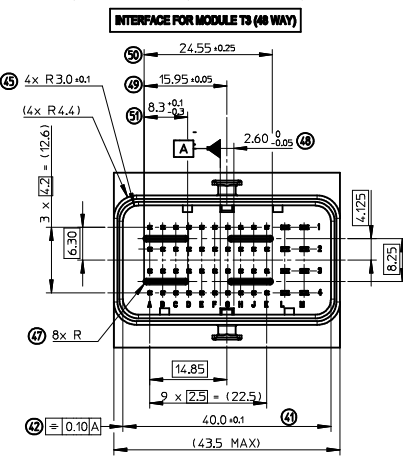
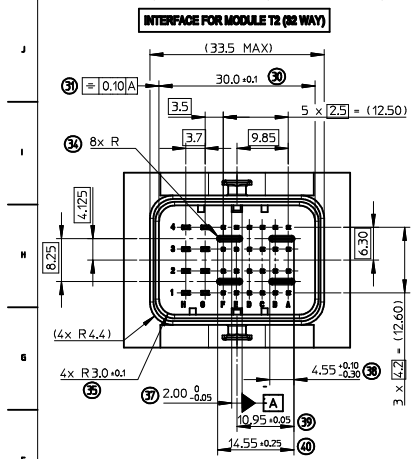


RECOMMENDED PCB LAYOUT (COMPONENT SIDE)
THICKNESS: 1.6±0.1mm

NOTES:

1. THE VIEW 'RECOMMENDED PCB LAYOUT' SHOWS THE SECTION OF THE HOLE POSITION CONCERNING THE HEADER-PIN, GUIDING AND LOCKING LAYOUT.
2. THIS VIEW OF THE HOLE PATTERN DOESN'T POINT TO THE ABSOLUTE POSITION ON THE PCB.
3. THE HOLE PATTERN IS COPY OF THE HEADER LAYOUT.
4. PLEASE COMBINE THE TWO ELEMENTS (HEADER AND VIEW OF THE HOLE PATTERN) TO CREATE PCB LAYOUT.

ENTER DESCRIPTION EC NO: GCAZ011-0027 DRWN: TLUO 2010/10/15 CHKD: JG IURIATO 2010/10/18 APPR: PBERG 2010/10/27	QUALITY SYMBOLS ▽=0 ▽=0 ▽=0	GENERAL TOLERANCES (UNLESS SPECIFIED)		DIMENSION STYLE MM ONLY		SCALE 1:1	DESIGN UNITS METRIC	THIRD ANGLE PROJECTION	
		4 PLACES ±--- ±---	mm INCH	DRAWN BY MBALZER	DATE 2008/08/04	TITLE CMC HEADER 112CKT. ASSEMBLED SOLDER VERSION			
		3 PLACES ±--- ±---	2 PLACES ±--- ±---	CHECKED BY JG IURIATO	DATE 2008/08/05	MOLEX INCORPORATED			
		1 PLACE ±--- ±---	ANGULAR ±---°	APPROVED BY PBERG	DATE 2010/10/27	MATERIAL NO. SEE SHEET 1	DOCUMENT NO. SD-64333-100	SHEET NO. 2 OF 5	
B1	DESCRIPTION	DRAFT WHERE APPLICABLE MUST REMAIN WITHIN DIMENSIONS		THIS DRAWING CONTAINS INFORMATION THAT IS PROPRIETARY TO MOLEX INCORPORATED AND SHOULD NOT BE USED WITHOUT WRITTEN PERMISSION					



HEADERS CODINGS

(CODING 2 SHOWN)

HEADERS CODINGS FOR MODULE T2 (32W)				
COLOR	CODING	DIM. A	DIM. B	DIM. C
BLACK	1	9.1	4.3	5.9
GREY	2	7.5	5.9	9.1
BROWN	3	5.9	7.5	9.1
GREEN	4	7.5	9.1	4.3
BLUE	5	4.3	7.5	5.9
YELLOW	6	9.1	7.5	4.3

(CODING 3 SHOWN)

HEADERS CODINGS FOR MODULE T3 (48W)					
COLOR	CODING	DIM. A	DIM. B	DIM. C	DIM. D
BLACK	1	12.9	6.3	8.5	6.3
GREY	2	10.7	8.5	12.9	8.5
BROWN	3	8.5	10.7	12.9	12.9
GREEN	4	10.7	12.9	6.3	6.3
BLUE	5	6.3	10.7	8.5	8.5
YELLOW	6	12.9	10.7	6.3	10.7

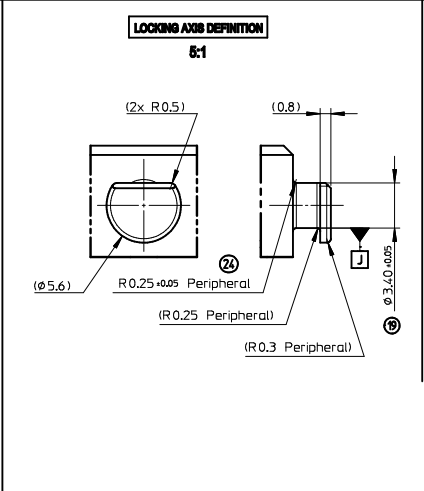
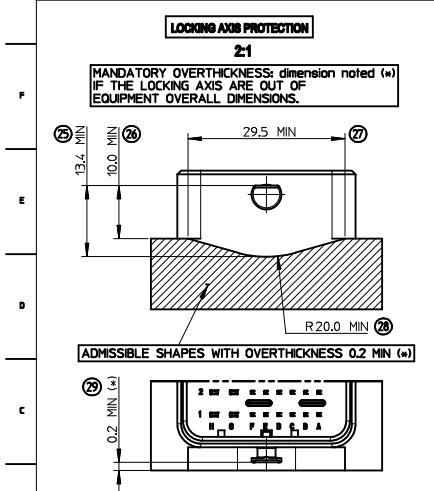
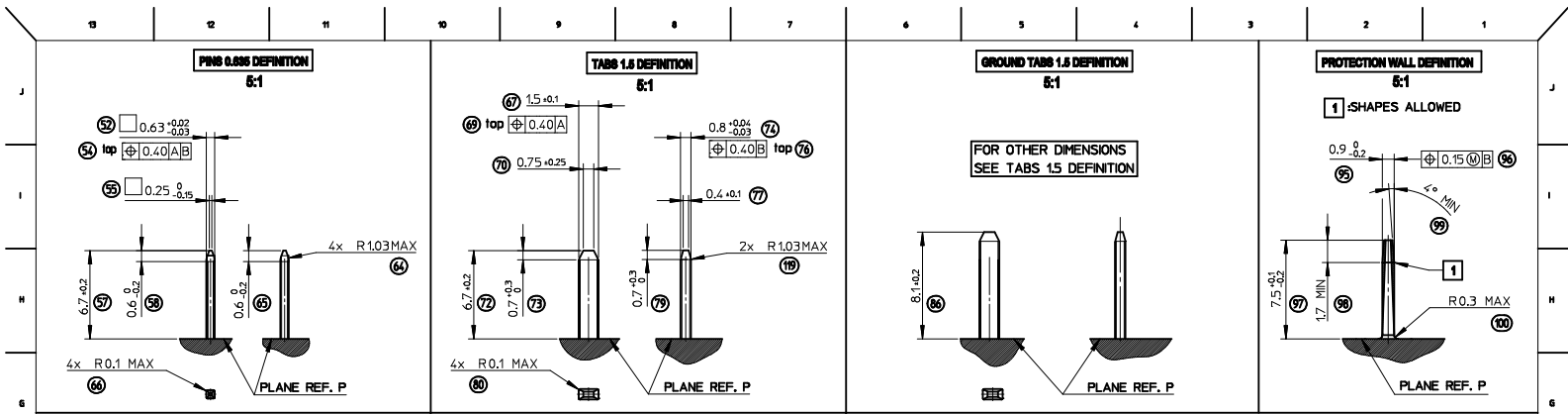
NOTE:
 1- INTERFACE DEFINITION BASED ON NFR13-462 STANDARD.
 2- HEADER ELASTICITY MODULUS: 8000Mpa min.
 (INITIAL CONDITION BEFORE AGEING)

lb_frame_A2_P_AM_F
 Rev. F 2009/06/18

ENTER DESCRIPTION EC NO: 02010-0220 DRWN: PECELE 2010/05/20 CHKD: J. GIURIATO 2008/10/03 APPR: BOUCHAN 2010/06/29	GENERAL TOLERANCES (UNLESS SPECIFIED)		DIMENSION STYLE MM ONLY		SCALE 2:1	DESIGN UNITS METRIC	<input checked="" type="checkbox"/> FIRST ANGLE PROJECTION <input type="checkbox"/> THIRD ANGLE PROJECTION
	4 PLACES ± --- ± --- 3 PLACES ± --- ± --- 2 PLACES ± 0.10 ± --- 1 PLACE ± 0.10 ± --- ANGULAR ± 2°	mm	INCH	DRAWN BY G. DESBRUERES	DATE 2008/10/02	TITLE INTERFACES FOR CONNECTOR 32 & 48 CKT CMC GENERIC SALES DRAWING	
DRAFT WHERE APPLICABLE MUST REMAIN WITHIN DIMENSIONS SIZE A2	DRAFT WHERE APPLICABLE MUST REMAIN WITHIN DIMENSIONS		APPROVED BY PBERG		DATE 2010/10/27	<input checked="" type="checkbox"/> Molex MOLEX INCORPORATED	MATERIAL NO. N/A DOCUMENT NO. SD-98644-006 SHEET NO. 1 OF 1

ENTER DESCRIPTION EC NO: 02010-0027 DRWN: TLUO 2010/10/15 CHKD: J. GIURIATO 2010/10/18 APPR: PBERG 2010/10/27	QUALITY SYMBOLS ∇=0 ∇=0 ∇=0	GENERAL TOLERANCES (UNLESS SPECIFIED)		DIMENSION STYLE MM ONLY		SCALE 1:1	DESIGN UNITS METRIC	<input checked="" type="checkbox"/> THIRD ANGLE PROJECTION <input type="checkbox"/> FIRST ANGLE PROJECTION
		4 PLACES ± --- ± --- 3 PLACES ± --- ± --- 2 PLACES ± --- ± --- 1 PLACE ± --- ± --- ANGULAR ± ---°	mm	INCH	DRAWN BY MBALZER	DATE 2008/08/04	TITLE CMC HEADER 112CKT. ASSEMBLED SOLDER VERSION	
DRAFT WHERE APPLICABLE MUST REMAIN WITHIN DIMENSIONS SIZE A2	DRAFT WHERE APPLICABLE MUST REMAIN WITHIN DIMENSIONS		APPROVED BY PBERG		DATE 2010/10/27	<input checked="" type="checkbox"/> Molex MOLEX INCORPORATED	MATERIAL NO. SEE SHEET 1 DOCUMENT NO. SD-64333-100 SHEET NO. 3 OF 5	

lb_frame_A2_P_AM_T
 Rev. F 2009/06/18



ENTER DESCRIPTION EC NO: G2010-0220 DRWN:PECHELLE 2010/05/20 CHKD:J.GIURIATO 2008/10/03 APPR:BOUCHAN 2010/04/29	GENERAL TOLERANCES (UNLESS SPECIFIED)	DIMENSION STYLE MM ONLY	SCALE 1:1	DESIGN UNITS METRIC	FIRST ANGLE PROJECTION
	4 PLACES ± --- ± --- 3 PLACES ± --- ± --- 2 PLACES ± 0.10 ± --- 1 PLACE ± 0.10 ± --- ANGULAR ± 2 °	mm INCH	DRAWN BY DATE G. DESBRUERES 2008/10/02	TITLE INTERFACES FOR CONNECTOR 32 & 48 CKT CMC GENERIC SALES DRAWING	CHECKED BY DATE J. GIURIATO 2008/10/03
DRAFT WHERE APPLICABLE MUST REMAIN WITHIN DIMENSIONS		MATERIAL NO. N/A	DOCUMENT NO. SD-98644-006	SHEET NO. 2 OF 2	
		SIZE A2	THIS DRAWING CONTAINS INFORMATION THAT IS PROPRIETARY TO MOLEX INCORPORATED AND SHOULD NOT BE USED WITHOUT WRITTEN PERMISSION		

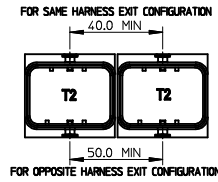
fb_frame_A2_P_AM.F
Rev. F 2009/06/18

ENTER DESCRIPTION EC NO: GCA2011-0027 DRWN:TILLO 2010/10/15 CHKD:J.GIURIATO 2010/10/18 APPR:PBERG 2010/10/27	QUALITY SYMBOLS ▽=0 ▽=0 ▽=0	GENERAL TOLERANCES (UNLESS SPECIFIED)	DIMENSION STYLE MM ONLY	SCALE 1:1	DESIGN UNITS METRIC	THIRD ANGLE PROJECTION
	4 PLACES ± --- ± --- 3 PLACES ± --- ± --- 2 PLACES ± --- ± --- 1 PLACE ± --- ± --- ANGULAR ± --- °	mm INCH	DRAWN BY DATE MBALZER 2008/08/04	TITLE CMC HEADER 112CKT. ASSEMBLED SOLDER VERSION	CHECKED BY DATE J.GIURIATO 2008/08/05	APPROVED BY DATE PBERG 2010/10/27
DRAFT WHERE APPLICABLE MUST REMAIN WITHIN DIMENSIONS		MATERIAL NO. SEE SHEET 1	DOCUMENT NO. SD-64333-100	SHEET NO. 4 OF 5		
		SIZE A2	THIS DRAWING CONTAINS INFORMATION THAT IS PROPRIETARY TO MOLEX INCORPORATED AND SHOULD NOT BE USED WITHOUT WRITTEN PERMISSION			

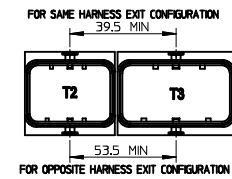
fb_frame_A2_P_AM.F
Rev. F 2009/06/18

CONNECTOR ON HEADER - OVERALL DIMENSIONS

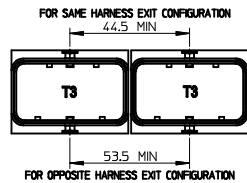
LAYOUT FOR TWO INTERFACES T2 (32W)



LAYOUT FOR TWO INTERFACES T2 (32W) AND T3 (48W)

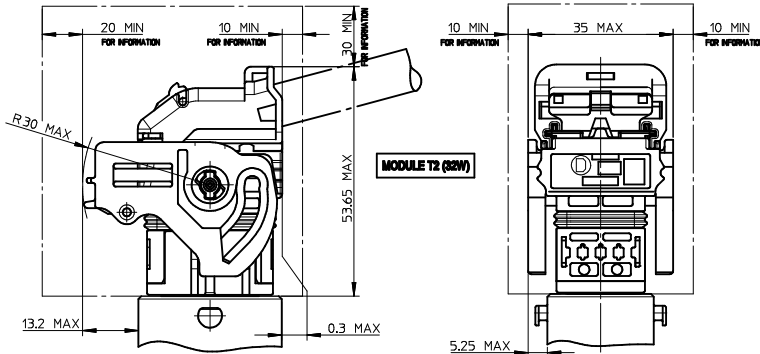


LAYOUT FOR TWO INTERFACES T3 (48W)

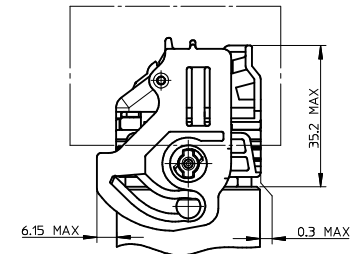


MULTI-HEADERS LAYOUT

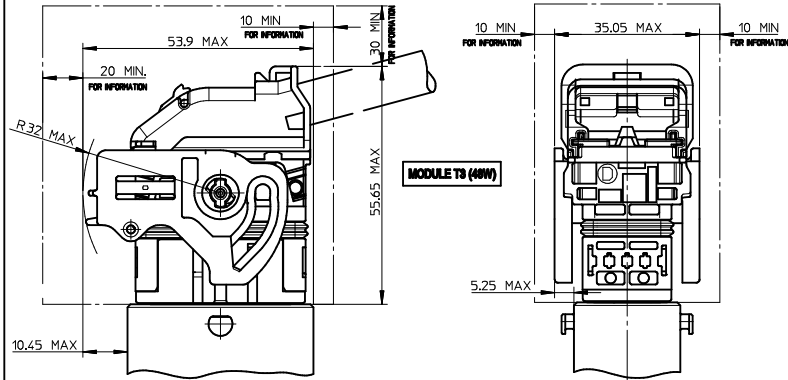
UNLOCKED CONNECTOR - OVERALL DIMENSIONS



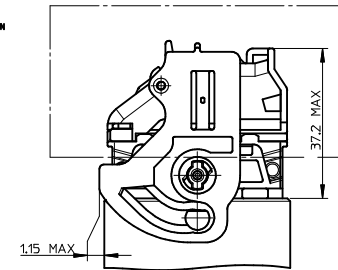
LOCKED CONNECTOR - OVERALL DIMENSIONS



UNLOCKED CONNECTOR - OVERALL DIMENSIONS



LOCKED CONNECTOR - OVERALL DIMENSIONS



NOTE:
1- T2 - 32 WAY / T3 - 48 WAY

LEGEND:



FREE VOLUME FOR MANUAL LOCKING AND UNLOCKING DIMENSIONS GIVEN FOR INFORMATION ONLY TO BE CONFIRMED BASED UPON VEHICLE CONFIGURATION.

ENTER DESCRIPTION	DATE	DESCRIPTION
EC NO: 02010-0220	2010/05/20	
DRWN:MPACHELE	2010/05/20	
CHKD:J.GIURIATO	2008/10/03	
APPR:BOUCHAN	2010/06/29	

GENERAL TOLERANCES (UNLESS SPECIFIED)

	mm	INCH
4 PLACES	± 0.10	± 0.004
3 PLACES	± 0.15	± 0.006
2 PLACES	± 0.20	± 0.008
1 PLACE	± 0.30	± 0.012
ANGULAR ± 2°		

DIMENSION STYLE

MM ONLY
DRAWN BY: G. DESBRUERES
CHECKED BY: J. GIURIATO
APPROVED BY: O. PLESSIS

SCALE

1:1

DESIGN UNITS

METRIC

FIRST ANGLE PROJECTION

TITLE: INTERFACES FOR CONNECTOR 32 & 48 CKT CMC
GENERIC SALES DRAWING
MOLEX INCORPORATED

MATERIAL NO. N/A	DOCUMENT NO. SD-98644-006	SHEET NO. 3 OF 3
THIS DRAWING CONTAINS INFORMATION THAT IS PROPRIETARY TO MOLEX INCORPORATED AND SHOULD NOT BE USED WITHOUT WRITTEN PERMISSION		

fb_frame_A2_P_AM_F
Rev. F 2009/06/18

ENTER DESCRIPTION	DATE	DESCRIPTION
EC NO: GCA2011-0027	2010/10/15	
DRWN:TLUO	2010/10/15	
CHKD:J.GIURIATO	2010/10/18	
APPR:PBERG	2010/10/27	

QUALITY SYMBOLS

▽=0	▽=0	▽=0
-----	-----	-----

GENERAL TOLERANCES (UNLESS SPECIFIED)

	mm	INCH
4 PLACES	± 0.10	± 0.004
3 PLACES	± 0.15	± 0.006
2 PLACES	± 0.20	± 0.008
1 PLACE	± 0.30	± 0.012
ANGULAR ± 0.005		

DIMENSION STYLE

MM ONLY
DRAWN BY: MBALZER
CHECKED BY: JGIURIATO
APPROVED BY: PBERG

SCALE

2:1

DESIGN UNITS

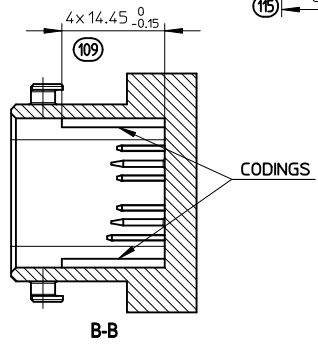
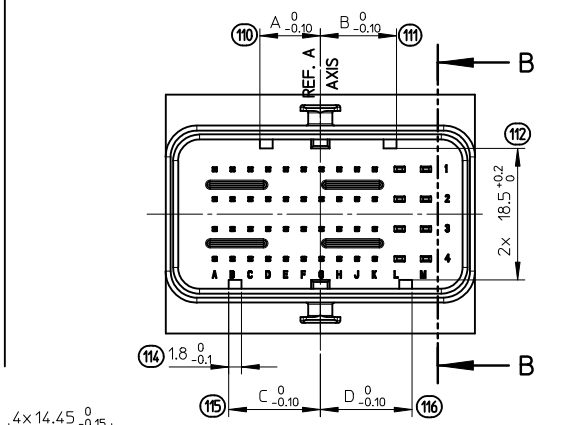
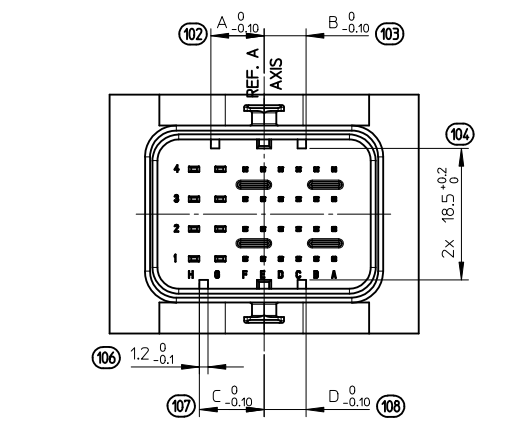
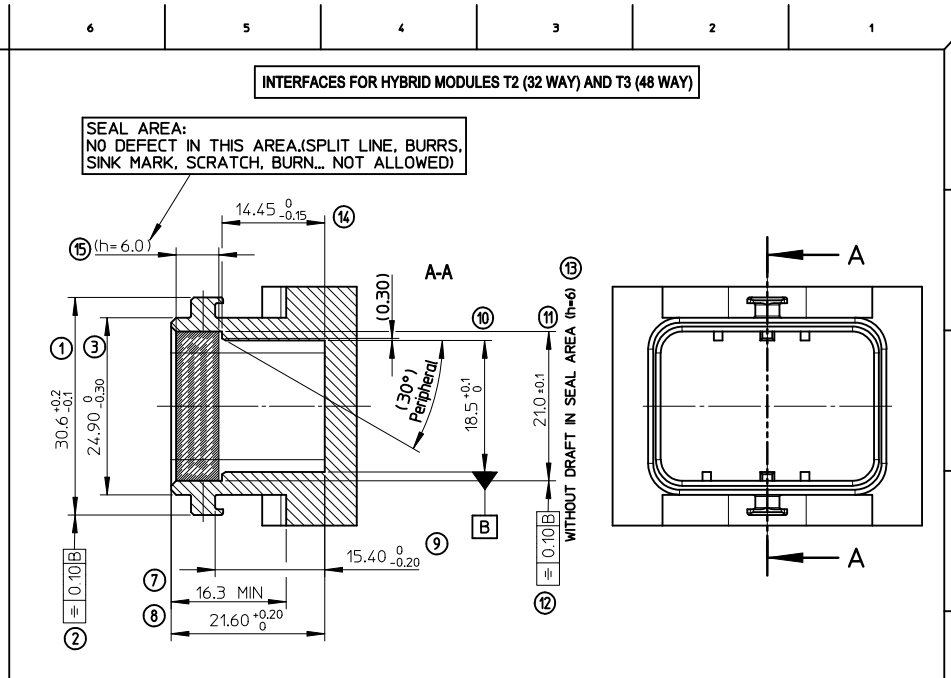
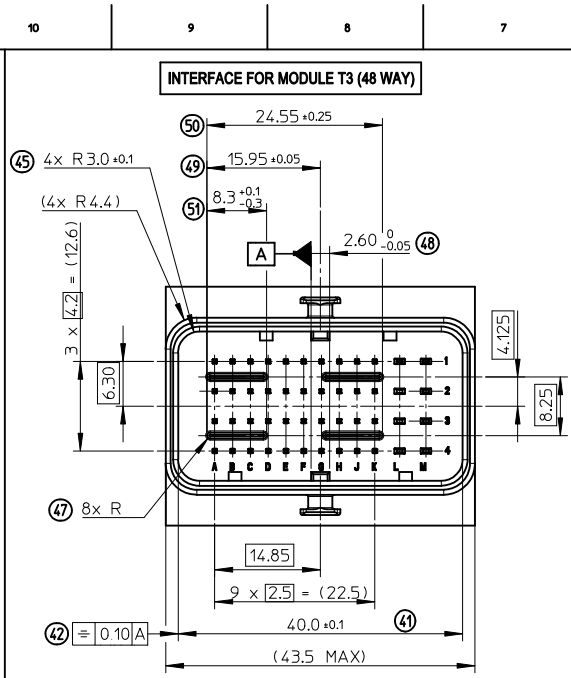
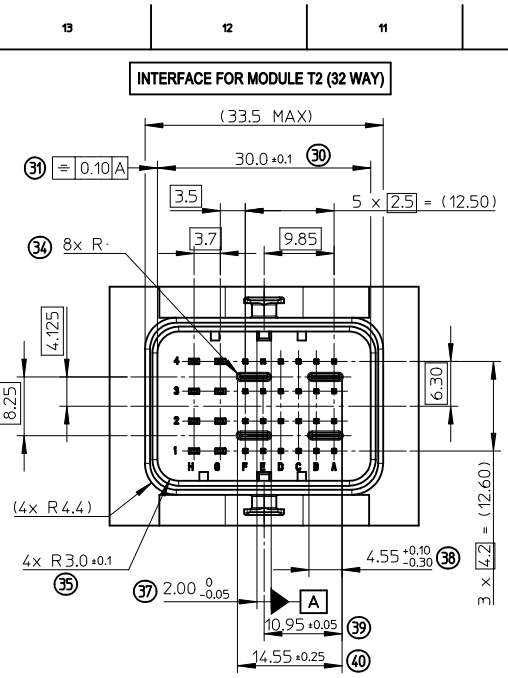
METRIC

THIRD ANGLE PROJECTION

TITLE: CMC HEADER 112CKT. ASSEMBLED SOLDER VERSION
MOLEX INCORPORATED

MATERIAL NO. SEE SHEET 1	DOCUMENT NO. SD-64333-100	SHEET NO. 5 OF 5
THIS DRAWING CONTAINS INFORMATION THAT IS PROPRIETARY TO MOLEX INCORPORATED AND SHOULD NOT BE USED WITHOUT WRITTEN PERMISSION		

fb_frame_A2_P_AM_T
Rev. F 2009/06/18



HEADERS CODINGS

(CODING 2 SHOWN)

HEADERS CODINGS FOR MODULE T2 (32W)					
COLOR	CODING	DIM. A	DIM. B	DIM. C	DIM. D
BLACK	1	9.1	4.3	5.9	4.3
GREY	2	7.5	5.9	9.1	5.9
BROWN	3	5.9	7.5	9.1	9.1
GREEN	4	7.5	9.1	4.3	4.3
BLUE	5	4.3	7.5	5.9	5.9
YELLOW	6	9.1	7.5	4.3	7.5

(CODING 3 SHOWN)

HEADERS CODINGS FOR MODULE T3 (48W)					
COLOR	CODING	DIM. A	DIM. B	DIM. C	DIM. D
BLACK	1	12.9	6.3	8.5	6.3
GREY	2	10.7	8.5	12.9	8.5
BROWN	3	8.5	10.7	12.9	12.9
GREEN	4	10.7	12.9	6.3	6.3
BLUE	5	6.3	10.7	8.5	8.5
YELLOW	6	12.9	10.7	6.3	10.7

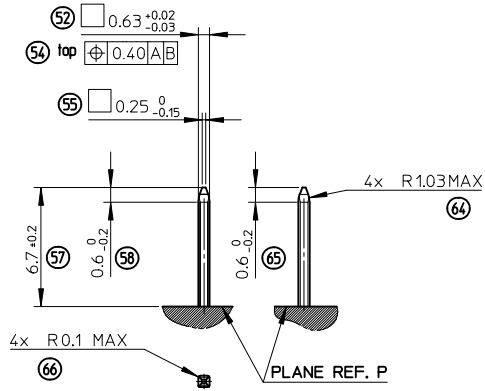
NOTE:

- 1- INTERFACE DEFINITION BASED ON NFR13-462 STANDARD.
- 2- HEADER: ELASTICITY MODULUS: 8000Mpa min. (INITIAL CONDITION BEFORE AGEING)

ENTER DESCRIPTION EC NO: G2010-0220 DRAWN: P. PECHELE 2010/05/20 CHKD: J. GIURIATO 2008/10/03 APPR: C. BOUCHAN 2010/06/29	GENERAL TOLERANCES (UNLESS SPECIFIED) m/m INCH 4 PLACES ± --- ± --- 3 PLACES ± --- ± --- 2 PLACES ± 0.10 ± --- 1 PLACE ± 0.10 ± --- ANGULAR ± 2°		DIMENSION STYLE MM ONLY DRAWN BY DATE G. DESBRUERES 2008/10/02 CHECKED BY DATE J. GIURIATO 2008/10/03 APPROVED BY DATE O. PLESSIS 2008/10/06 MATERIAL NO.	SCALE 2:1 DESIGN UNITS METRIC FIRST ANGLE PROJECTION	TITLE INTERFACES FOR CONNECTOR 32 & 48 CKT CMC GENERIC SALES DRAWING MOLEX INCORPORATED DOCUMENT NO. SD-98644-006 SHEET NO. 1 OF 3
	DRAFT WHERE APPLICABLE MUST REMAIN WITHIN DIMENSIONS		N/A SIZE A2 THIS DRAWING CONTAINS INFORMATION THAT IS PROPRIETARY TO MOLEX INCORPORATED AND SHOULD NOT BE USED WITHOUT WRITTEN PERMISSION		

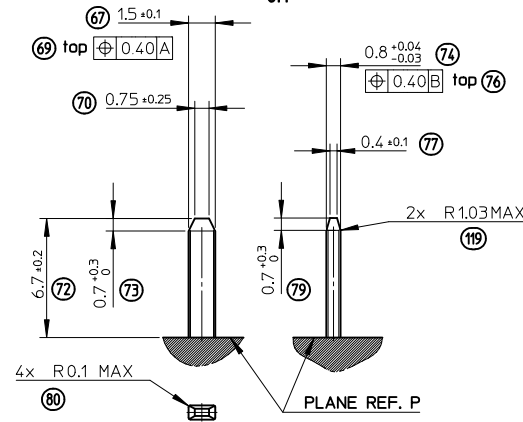
PINS 0.635 DEFINITION

5:1



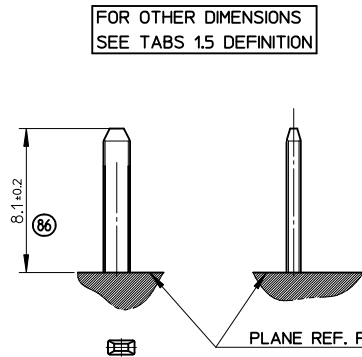
TABS 1.5 DEFINITION

5:1



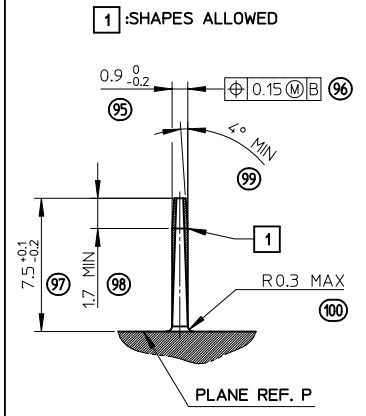
GROUND TABS 1.5 DEFINITION

5:1



PROTECTION WALL DEFINITION

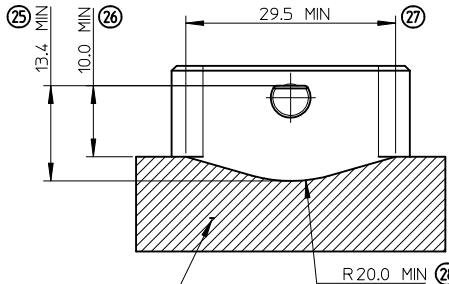
5:1



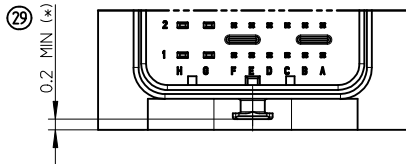
LOCKING AXIS PROTECTION

2:1

**MANDATORY OVERTHICKNESS: dimension noted (*)
IF THE LOCKING AXIS ARE OUT OF
EQUIPMENT OVERALL DIMENSIONS.**

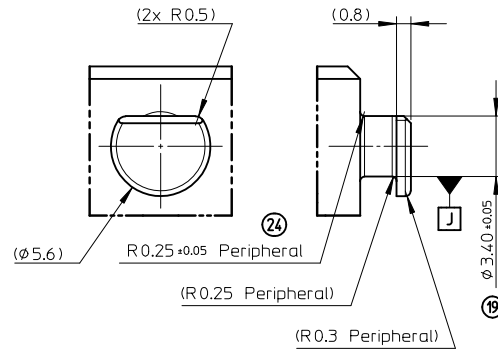


ADMISSIBLE SHAPES WITH OVERTHICKNESS 0.2 MIN (*)



LOCKING AXIS DEFINITION

5:1



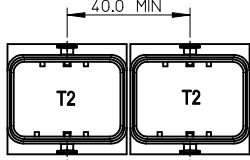
ENTER DESCRIPTION EC NO: G2010-0220 DRAWN: P. CHELE 2010/05/20 CHKD: J. GIURIATO 2008/10/03 APPR: C. BOUCHAN 2010/06/29	GENERAL TOLERANCES (UNLESS SPECIFIED)		DIMENSION STYLE MM ONLY		SCALE 1:1	DESIGN UNITS METRIC	FIRST ANGLE PROJECTION	
	4 PLACES	± ---	± ---	DRAWN BY G. DESBRUERES	DATE 2008/10/02	TITLE INTERFACES FOR CONNECTOR 32 & 48 CKT CMC GENERIC SALES DRAWING		
	3 PLACES	± ---	± ---	CHECKED BY J. GIURIATO	DATE 2008/10/03	MOLEX INCORPORATED		
	2 PLACES	± 0.10	± ---	APPROVED BY O. PLESSIS	DATE 2008/10/06	DOCUMENT NO. SD-98644-006	SHEET NO. 2 OF 3	
1 PLACE	± 0.10	± ---	MATERIAL NO. N/A		THIS DRAWING CONTAINS INFORMATION THAT IS PROPRIETARY TO MOLEX INCORPORATED AND SHOULD NOT BE USED WITHOUT WRITTEN PERMISSION			
DRAFT WHERE APPLICABLE MUST REMAIN WITHIN DIMENSIONS								

CONNECTOR ON HEADER - OVERALL DIMENSIONS

MULTI-HEADERS LAYOUT

LAYOUT FOR TWO INTERFACES T2 (32W)

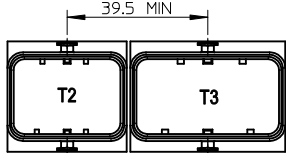
FOR SAME HARNESS EXIT CONFIGURATION



FOR OPPOSITE HARNESS EXIT CONFIGURATION

LAYOUT FOR TWO INTERFACES T2 (32W) AND T3 (48W)

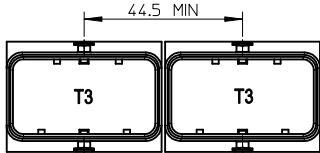
FOR SAME HARNESS EXIT CONFIGURATION



FOR OPPOSITE HARNESS EXIT CONFIGURATION

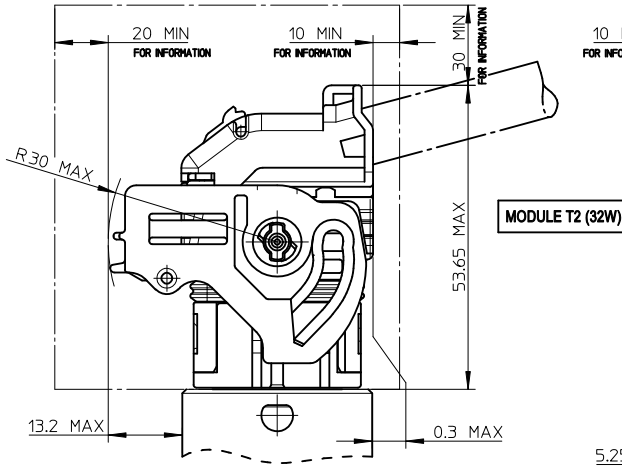
LAYOUT FOR TWO INTERFACES T3 (48W)

FOR SAME HARNESS EXIT CONFIGURATION

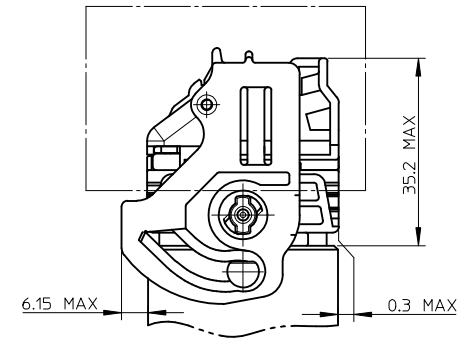


FOR OPPOSITE HARNESS EXIT CONFIGURATION

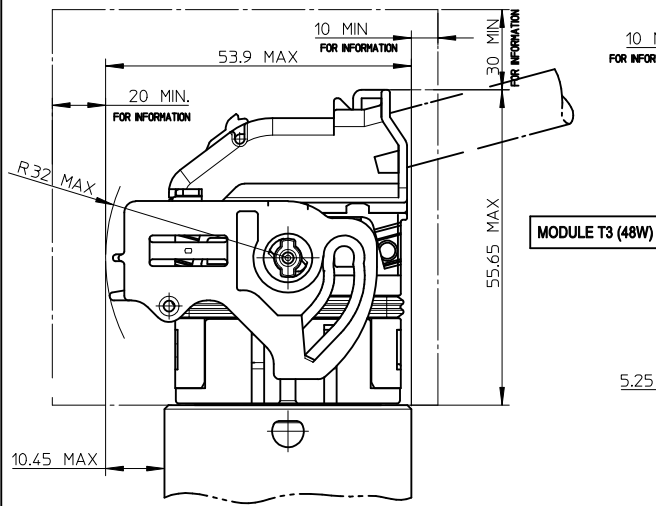
UNLOCKED CONNECTOR - OVERALL DIMENSIONS



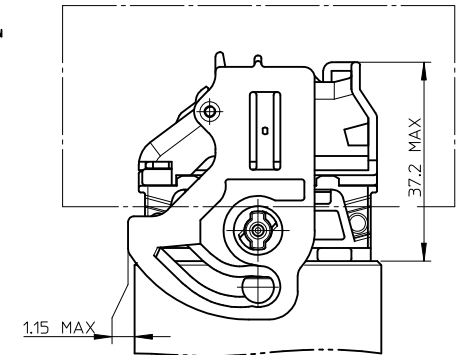
LOCKED CONNECTOR - OVERALL DIMENSIONS



UNLOCKED CONNECTOR - OVERALL DIMENSIONS



LOCKED CONNECTOR - OVERALL DIMENSIONS



NOTE:
1- T2 = 32 WAY / T3 = 48 WAY

LEGEND:



FREE VOLUME FOR MANUAL LOCKING AND UNLOCKING
DIMENSIONS GIVEN FOR INFORMATION ONLY TO BE
CONFIRMED BASED UPON VEHICLE CONFIGURATION.

REV	DESCRIPTION
0	ENTER DESCRIPTION
1	EC NO: G2010-0220
2	DRWN: PDECHELE 2010/05/20
3	CHKD: J. GIURIATO 2008/10/03
4	APPR: EBOULCHAN 2010/06/29

GENERAL TOLERANCES (UNLESS SPECIFIED)

	mm	INCH
4 PLACES	± 0.10	± 0.004
3 PLACES	± 0.15	± 0.005
2 PLACES	± 0.20	± 0.008
1 PLACE	± 0.30	± 0.012
ANGULAR ± 2 °		

DRAFT WHERE APPLICABLE
MUST REMAIN
WITHIN DIMENSIONS

DIMENSION STYLE

MM ONLY	DATE
DRAWN BY	G. DESBRUERES 2008/10/02
CHECKED BY	J. GIURIATO 2008/10/03
APPROVED BY	O. PLESSIS 2008/10/06
MATERIAL NO.	N/A

SCALE 1:1 **DESIGN UNITS** METRIC **FIRST ANGLE PROJECTION**

TITLE	SHEET NO.
INTERFACES FOR CONNECTOR 32 & 48 CKT CMC GENERIC SALES DRAWING	3 OF 3
MOLEX MOLEX INCORPORATED	
DOCUMENT NO. SD-98644-006	

SIZE A2
THIS DRAWING CONTAINS INFORMATION THAT IS PROPRIETARY TO MOLEX
INCORPORATED AND SHOULD NOT BE USED WITHOUT WRITTEN PERMISSION