

PRODUCT SPECIFICATION

DATE: 03/26/2012

cosmo ELECTRONICS CORPORATION	Photocoupler : KPC6N138	NO.60P51003	REV.
		SHEET 1 OF 7	2

General Purpose Type Photocoupler

●Features

1. Pb free and RoHS compliant.
2. High current transfer ratio
(CTR:MIN.300% at $I_F = 1.6\text{mA}$)
3. High speed response
(t_{PHL} :TYP.2us at $R_L = 2.2\text{k}\Omega$)
4. Instantaneous common mode rejection voltage
(CM_H : TYP.500V/us)
5. TTL compatible output
6. Compact surface mount type package.
7. Agency Approvals
UL approved : UL1577 , No.E169586
CUL approved : C22.2 No.1 & NTC No.5 , No.E169586
VDE approved : EN60747 , No.40006080
FIMKO approved : EN 60065 No. FI 25798
EN 60950 No. FI 25798

●Applications

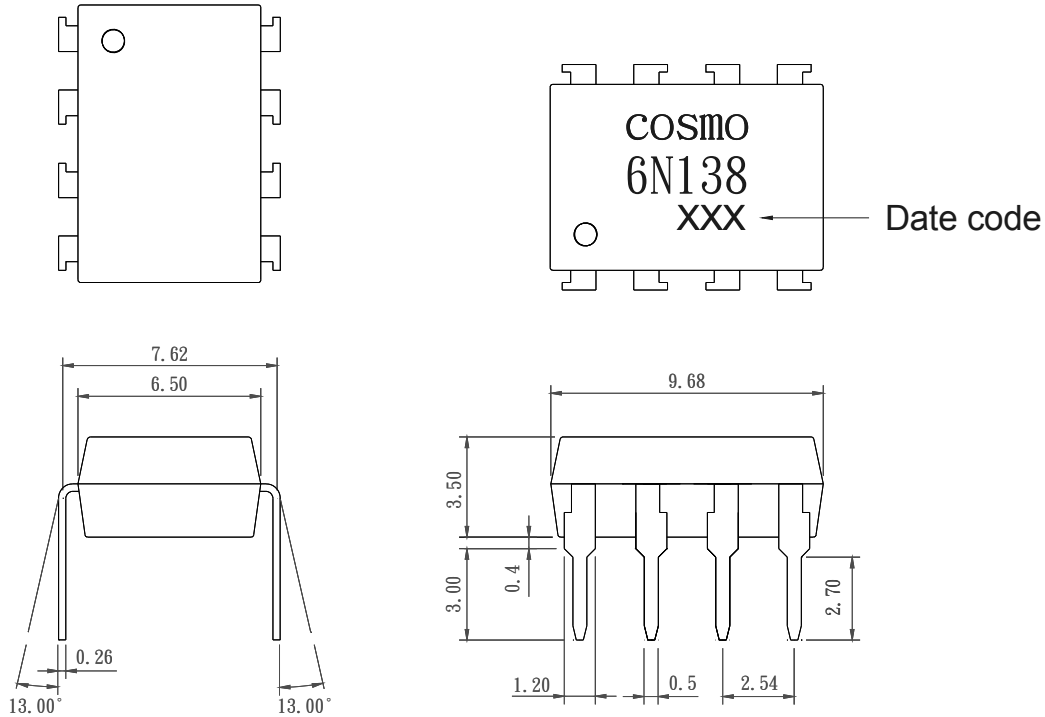
1. Interfaces for computer peripherals
2. Electronic calculators, measuring instruments,
control equipment
3. Telephone sets.
4. Signal transmission between circuits of
different potentials and impedances.

PRODUCT SPECIFICATION

DATE: 03/26/2012

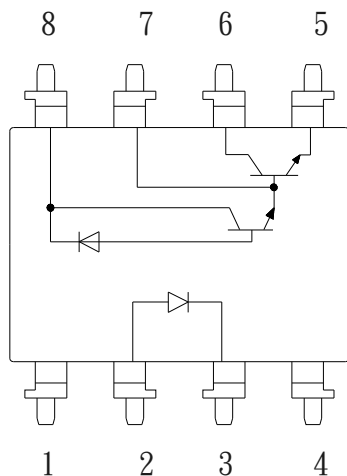
cosmo ELECTRONICS CORPORATION	Photocoupler :	NO.60P51003	REV. 2
	KPC6N138	SHEET 2 OF 7	

1. OUTSIDE DIMENSION



TOLERANCE : $\pm 0.2\text{mm}$

2. SCHEMATIC : TOP VIEW



- 1. NC
- 2. Anode
- 3. Cathode
- 4. NC
- 5. GND
- 6. Vo
- 7. Vb
- 8. Vcc

PRODUCT SPECIFICATION

DATE: 03/26/2012

cosmo ELECTRONICS CORPORATION	Photocoupler : KPC6N138	NO.60P51003	REV.
		SHEET 3 OF 7	2

● Absolute Maximum Ratings

(Ta=25°C)

Parameter	Symbol	Rating	Unit
Input	Forward current	IF	20
	*1Peak forward current	IF	40
	*2Peak forward current	IFM	1
	Reverse voltage	VR	5
	Power dissipation	PD	35
Output	Supply voltage	Vcc	-0.5 to 7
	Output voltage	Vo	-0.5 to 7
	Emitter-base reverse with-stand voltage (Pin 5 to 7)	VEBO	0.5
	*3Average output current	Io	60
	Power dissipation	Po	100
	*4Isolation voltage 1 minute	Viso	5000
Operating temperature	Topr	-40 to +100	°C
Storage temperature	Tstg	-55 to +125	°C
*5Soldering temperature	Tsol	260	°C

*1 50% duty cycle, pulse width : 1mS

*2 Pulse width<=1uS,300 pulse/sec

*3 Decreases at the rate of 0.7mA/°C if the external temperature is 25°C or more

*4 40% to 60% RH,AC for 1 minute

*5 For 10 seconds

● Electro-optical Characteristics

(Ta=0 to +70°C unless otherwise specified)

Parameter	Symbol	Conditions	MIN.	TYP.	MAX.	Unit
*6 Current transfer ratio	CTR	IF=1.6mA Vo=0.4V,Vcc=4.5V	300	1600	-	%
Logic (0) output voltage	VOL	IF=1.6mA Io=4.8mA,Vcc=4.5V	-	0.1	0.4	V
Logic (1) output current	IOH	IF=0,Vo=Vcc=7V	-	0.1	250	uA
Logic (0) supply current	ICCL	IF=1.6mA,Vo=open,Vcc=5V	-	0.5	-	mA
Logic (1) supply current	ICCH	IF=0,Vo=open,Vcc=5V	-	10	-	nA
Input forward voltage	VF	Ta=25°C,IF=1.6mA	-	1.5	1.7	V
Input forward voltage temperature coefficient	$\Delta VF/\Delta Ta$	IF=1.6mA	-	-1.9	-	mV/°C
Input reverse voltage	BVR	Ta=25°C,IR=10uA	5.0	-	-	V
Input capacitance	CIN	VF=0,f=1MHz	-	60	-	pF
*7 Leak current(input-output)	Ii-o	Ta=25°C,45% RH Vi-o=3kVDC,t=5s	-	-	1.0	uA
*7 Isolation resistance(input-output)	Ri-o	Vi-o=500VDC	-	10 ¹²	-	Ω
*7 Capacitance(input-output)	CI-O	f=1MHz	-	0.6	-	pF

*6 Current transfer ratio is the ratio is the ratio of input current and output current expressed in %

*7 Measured as 2-pin element (Short 1,2,3,4 and 5,6,7,8)

PRODUCT SPECIFICATION

DATE: 03/26/2012

cosmo ELECTRONICS CORPORATION	Photocoupler : KPC6N138	NO.60P51003	REV. 2
		SHEET 4 OF 7	

● Switching Characteristics

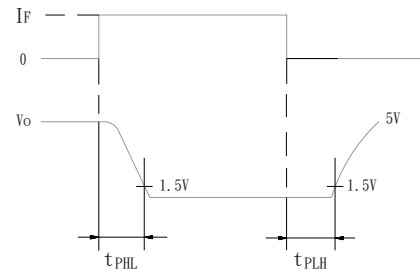
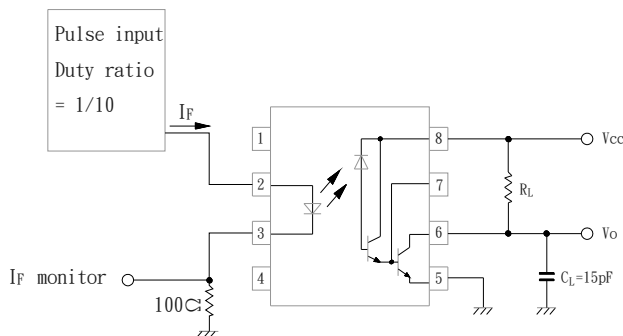
(Ta=25°C, Vcc=5V)

Parameter	Symbol	Conditions	MIN.	TYP.	MAX.	Unit
*8 Propagation delay time Output (1)-->(0)	t_{PHL}	$R_L=2.2k\Omega, I_F=1.6mA$	-	2	10	μS
*8 Propagation delay time Output (0)-->(1)	t_{PLH}	$R_L=2.2k\Omega, I_F=1.6mA$	-	7	35	μS
*9 Instantaneous common *10 mode rejection voltage "Output (1)"	CMH	$I_F=0, V_{CM}=10Vp-p, R_L=2.2k\Omega$	-	500	-	V/ μS
*9 Instantaneous common *10 mode rejection voltage "Output (0)"	CML	$I_F=1.6mA, V_{CM}=10Vp-p, R_L=2.2k\Omega$	-	-500	-	V/ μS

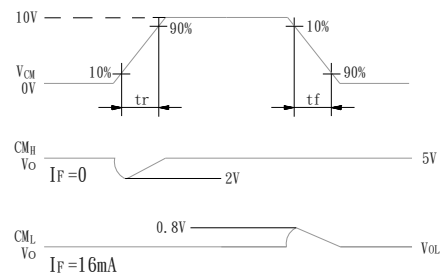
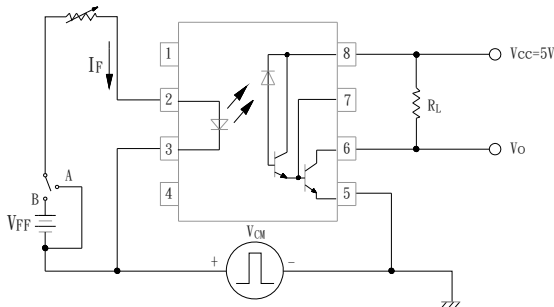
*9 Instantaneous common mode rejection voltage "output(1)" represents a common mode voltage variation that can hold the output above (1) level ($V_o > 2.0V$)

*10 Instantaneous common mode rejection voltage "output(0)" represents a common mode voltage variation that can hold the output above (0) level ($V_o < 0.8V$)

*8 Tset Circuit Propagation Delay Time



*10 Tset Circuit for Instantaneous Common Mode Rejection Voltage



PRODUCT SPECIFICATION

DATE: 03/26/2012

cosmo

ELECTRONICS CORPORATION

Photocoupler :

KPC6N138

NO.60P51003

SHEET 5 OF 7

REV.

2

Fig.1 LED Forward Current vs. Forward Voltage

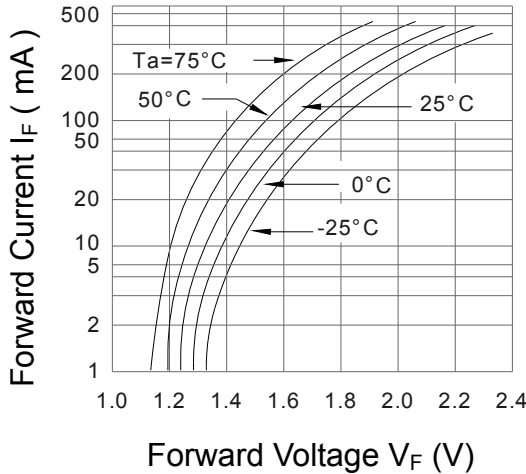


Fig.2 LED Forward Current vs. Ambient Temperature

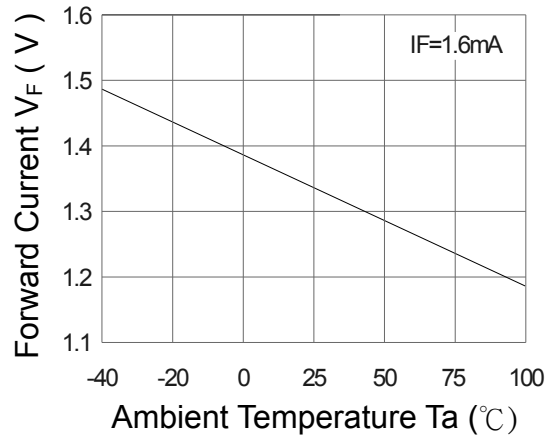


Fig.3 Response and Fall Time vs. Load Resistance

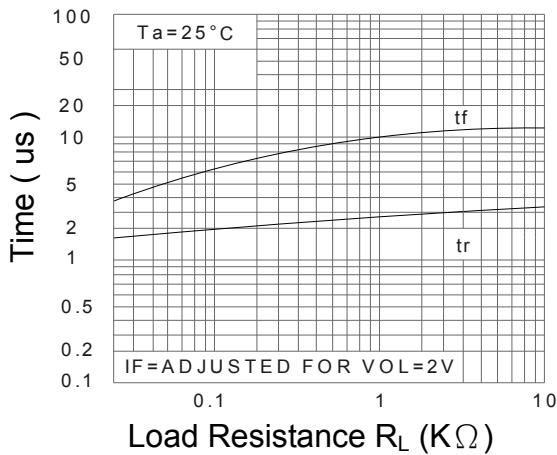


Fig.4 Current Transfer Ratio vs. Forward Current

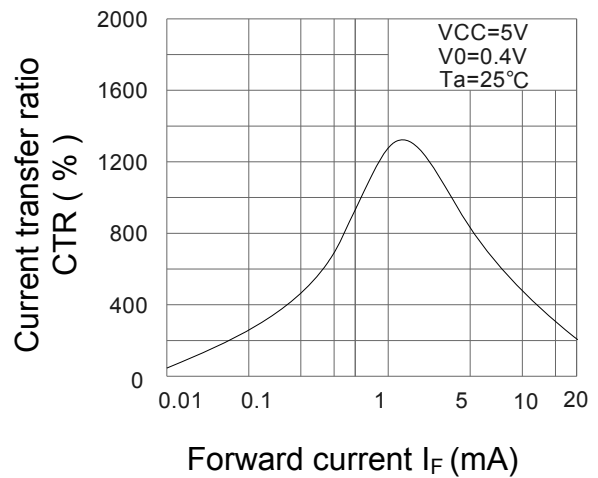


Fig.5 Current Transfer Ratio vs. Base-Emitter Resistance

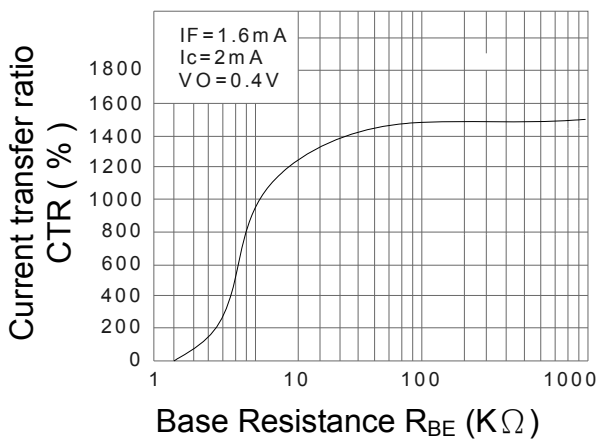
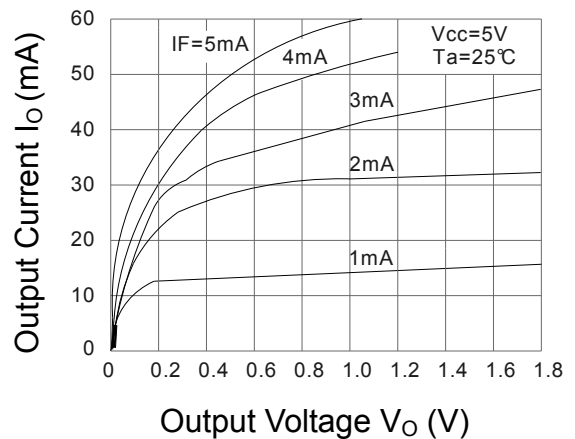


Fig.6 Output Current vs. Output Voltage



PRODUCT SPECIFICATION

DATE: 03/26/2012

cosmo ELECTRONICS CORPORATION	Photocoupler :	NO.60P51003	REV. 2
	KPC6N138	SHEET 6 OF 7	

Fig.7 Output Current vs. Input Diode Forward Current

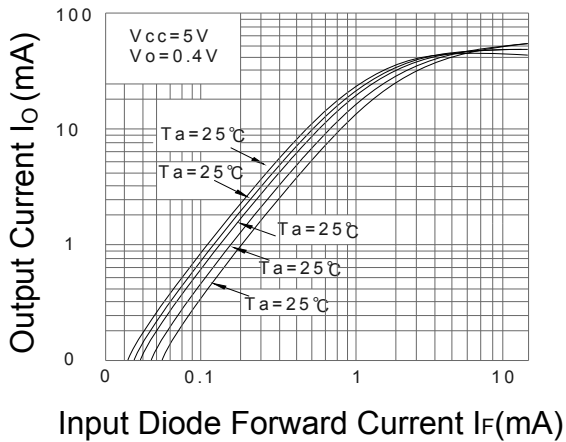


Fig.8 Logic Low Supply Current vs. Input Diode Forward Current

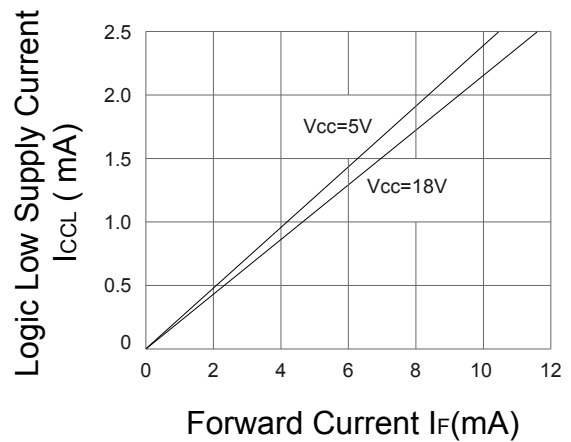


Fig.9 Propagation Delay vs. Input Diode Forward Current

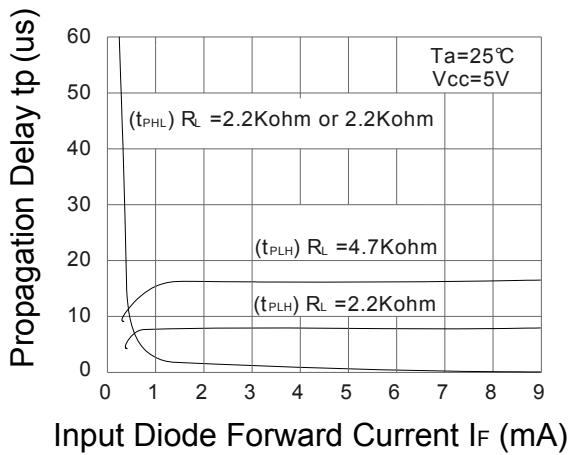
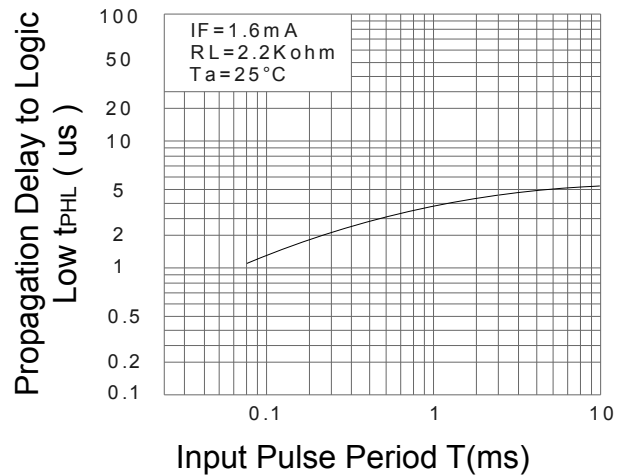


Fig.10 Propagation Delay to Logic Low vs. Pulse Period



PRODUCT SPECIFICATION

DATE: 03/26/2012

cosmo ELECTRONICS CORPORATION	Photocoupler : KPC6N138	NO.60P51003	REV.
		SHEET 7 OF 7	2

NOTICE

The information contained in this document is a general product description and is subject to change without notice. Please contact cosmo in order to obtain the latest device data sheets before using any cosmo device. cosmo does not assume any responsibility for use of any circuitry described. No circuit patent licenses are implied. This publication is the property of cosmo. No part of this publication may be reproduced or copied in any form or by any means, or transferred to any third party without the prior written consent of cosmo Electronics Corporation.

The devices listed in this document are designed for general applications only in electronic equipment. No devices shall be deployed which require higher level of reliability such as:

- Medical and other life support equipments.
- Space application.
- Telecommunication equipment (trunk lines).
- Nuclear power control equipment.

Unless it received prior written approval from cosmo.

cosmo takes no responsibility for damages arise form the improper usage of our device. Please contact cosmo for further information regarding the above notices.