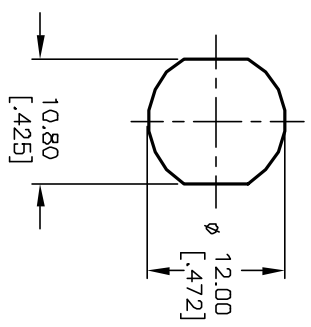


CIRCUIT: SPDT
CONTACT CONFIGURATION

| SWITCH FUNCTION | |
|-----------------|-------|
| POS 1 | POS 2 |
| ↙ | → |
| DN | DN |

LEGEND
 ○ = OFF POSITION
 ■ = INDICATES KEY PULL



RECOMMENDED PANEL CUTOUT

- NOTES:
1. ALL DIMENSIONS IN MM [INCH]
 2. GENERAL TOLERANCE: X.X=±0.4
X.XX=±0.25
 3. TERM. NOS. FOR REFERENCE ONLY.
 4. RATING: 1A @125VAC, 0.5A @250VAC
 5. CONTACT RESISTANCE: 10mILLI-OHMS
 6. DIELECTRIC STRENGTH: 1000 VAC-1Minute
 7. INSULATION RESISTANCE: 200 Mega-OHMS min.
 8. MATERIALS:
 HOUSING: ZINC ALLOY DIE CAST
 CYLINDER: ZINC ALLOY W/CHROME PLATING
 TERMINAL AND CONTACTS: SILVER PLATED
 KEYS (2) KEY CODE 701: TUBULAR
 ZINC ALLOY, CHROME PLATING

| REV. | ECN No. | DESCRIPTION | DATE | CHKD |
|------|---------|-------------------------|----------|------|
| A | 11743 | RELEASED FOR PRODUCTION | 10/15/01 | CJB |

THE INFORMATION CONTAINED IN THIS DOCUMENT IS PROPRIETARY TO E-SWITCH AND IS NOT TO BE COPIED OR TRANSFERRED

| | | | | | | | |
|------------|--|-------|--|----------|-----|---------|-----|
| TITLE | | SCALE | | DATE | DR | DWG | REV |
| K0103D-701 | | 1.5:1 | | 10/15/01 | CJB | K100205 | A |

