

NOTES:

1. ALL DIMENSIONS ARE IN INCHES  
[MILLIMETERS]

2. DIMENSIONS APPEARING IN TABLE ARE AS FOLLOWS:

- a - AS SUPPLIED
- b - AFTER UNRESTRICTED RECOVERY

3. COATING (ADHESIVE) IS OPTIONAL. AS SUPPLIED DIMENSIONS APPEARING IN TABLE ARE FOR UNCOATED PARTS. WHEN COATING IS ADDED, ENTRY DIAMETER WILL BE REDUCED BY .06 [1.5] MAX. COATING DIMENSIONS CH & CJ WILL BE .50 [12.7] MIN AND CK WILL BE .12 [3.0] MIN.

4. MOLDING PORTS ARE OPTIONAL. WHEN -00 MODIFICATION NUMBER IS SPECIFIED, MOLDING PORTS WILL BE LOCATED AS SHOWN.

5. ORDERING INFORMATION

BASE PART NUMBER 342A0XX -XX -XX /XXX /0

MATERIAL DASH NUMBER \_\_\_\_\_

-3 POLYOLEFIN, SEMI RIGID (RT-301)

-4 POLYOLEFIN, FLEXIBLE (RT-1304)

-5 ELASTOMER, FLEXIBLE (RT-501)

-6 SILICONE (RT-602)

-12 FLUORO ELASTOMER, FLEXIBLE (RT-1312)

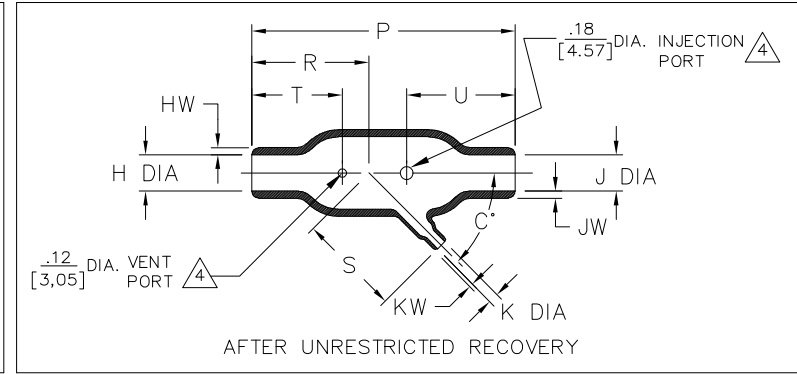
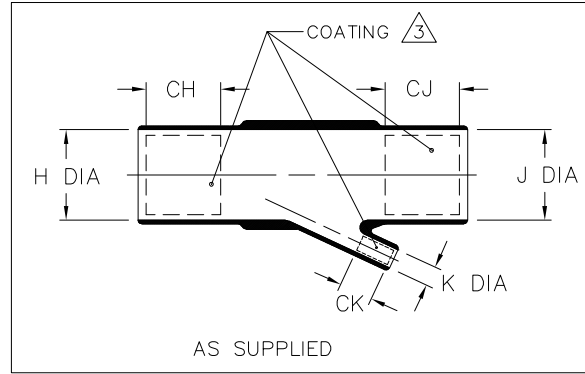
-25 ELASTOMER, FLUID RESISTANT (RW-2070)

-100 POLYOLEFIN, SEMI-FLEXIBLE ZEROHAL (RW-2082)

MODIFICATION NUMBER \_\_\_\_\_

ADHESIVE SLASH NUMBER \_\_\_\_\_  
SEE COMPATIBILITY CHART BELOW

COLOR DESIGNATOR \_\_\_\_\_



REVISIONS		
LTR	DESCRIPTION	DATE
M1	REVISED PER ECO-11-005139	29MAR11

TABLE OF DIMENSIONS

PART DESCRIPTION	H & J		K		P ±10%	R ±10%	S ±10%	T ±10%	U ±10%	HW & JW ±20%	KW ±20%	C* ±5°	WEIGHT REF
	MIN	MAX	MIN	MAX									
	a	b	a	b									
342A012	.52 [13,2]	.27 [6,9]	.26 [6,6]	.14 [3,6]	1.94 [49,3]	.90 [22,9]	.92 [23,4]	.77 [19,6]	.77 [19,6]	.06 [1,52]	.04 [1,02]	45°	.006 [2,72]
342A024	1.06 [26,9]	.50 [12,7]	.26 [6,6]	.14 [3,6]	3.64 [92,5]	1.62 [41,1]	1.41 [35,8]	1.25 [31,8]	1.56 [39,6]	.10 [2,54]	.04 [1,02]	45°	.036 [16,33]
342A034	1.06 [26,9]	.54 [13,7]	.52 [13,2]	.24 [6,1]	5.70 [144,8]	2.75 [69,9]	2.11 [53,6]	2.00 [50,8]	2.00 [50,8]	.10 [2,54]	.06 [1,52]	45°	.055 [24,95]
342A048	2.19 [55,6]	1.06 [26,9]	.52 [13,2]	.27 [6,9]	7.28 [184,9]	3.28 [83,3]	2.83 [71,9]	2.50 [63,5]	2.50 [63,5]	.18 [4,57]	.06 [1,52]	45°	.274 [124,28]
342A058	2.19 [55,6]	1.06 [26,9]	1.06 [26,9]	.54 [13,7]	8.01 [203,5]	3.76 [95,5]	3.66 [93,0]	2.60 [66,0]	2.60 [66,0]	.18 [4,57]	.10 [2,54]	45°	.328 [148,78]

COMPATIBILITY CHART

MATERIAL DASH NO.	ADHESIVE (COATING) SLASH NUMBER	ADHESIVE (COATING) S NUMBER
-3	/42; /86; /180	S-1017; S-1048; S-1030
-4	/42; /86;	S-1017; S-1048;
-5	/42;	S-1017;
-6	N/A	N/A
-12	N/A	N/A
-25	/42; /86; /225	S-1017; S-1048; S-1206
-100	/86; /180	S-1048; S-1030

IF THIS DOCUMENT IS PRINTED IT BECOMES UNCONTROLLED.  
CHECK FOR THE LATEST REVISION.

CUSTOMER DRAWING

UNLESS OTHERWISE SPECIFIED DIMENSIONS ARE INCHES. METRIC DIMENSIONS ARE IN BRACKETS.

DECIMAL TOLERANCES

.xxx ± 0.005 [0.13 mm]  
.xx ± 0.01 [0.25 mm]  
.x ± 0.1 [0.50 mm]

ANGLE TOLERANCE

.x ± 1 DEG.

TE CONNECTIVITY RESERVES THE RIGHT TO AMEND THIS DRAWING AT ANY TIME. USERS SHOULD EVALUATE THE SUITABILITY OF THE PRODUCT FOR THEIR APPLICATION.

© 2002, 2011 Tyco Electronics Corporation. a TE connectivity Ltd. company. All rights reserved.

DRAWN  
UNGUYEN

APPROVED  
DHURRELL

THIRD ANGLE PROJECTION

**STE** TE Connectivity

Raychem Molded Parts  
305 Constitution Dr  
Menlo Park, CA 94025

TITLE  
TRANSITION, 45DEG

SIZE B CODE IDENT. NO. 06090 DWG. NO. 342A012thru058

DO NOT SCALE THIS DRAWING

SHEET 1 OF 1