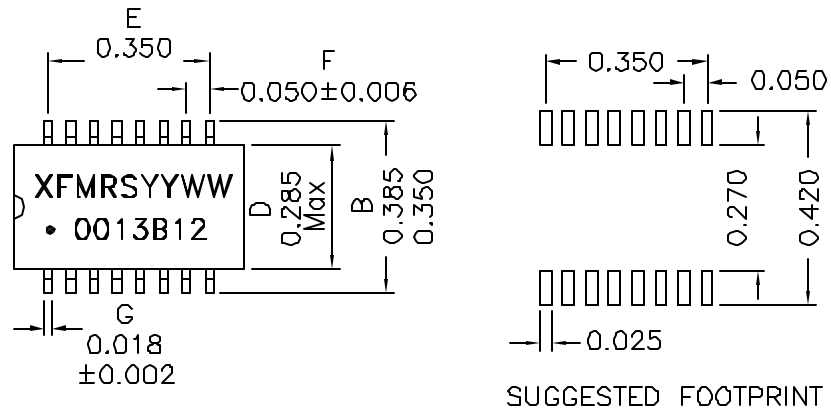
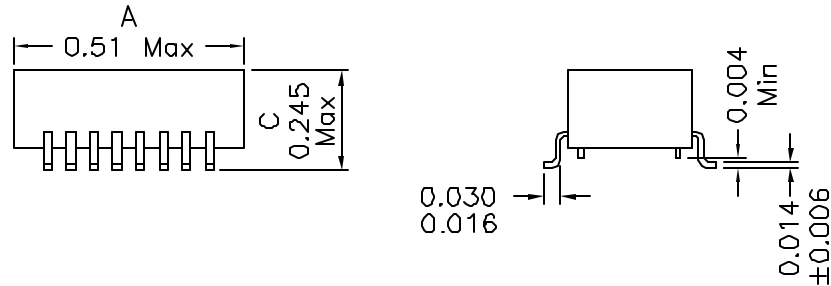
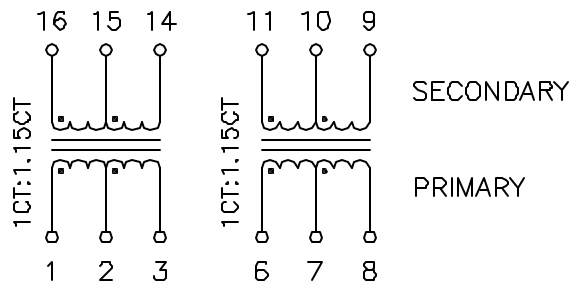


1. Dimensions:



2. Schematic:



3. Electrical Specifications: @25°C

- Isolation Voltage: 1500 Vrms
- Turns Ratio: (16-15-14):(1-2-3) = 1.15CT:1CT ±3%
- Turns Ratio: (11-10-9):(6-7-8) = 1.15CT:1CT ±3%
- PRI OCL: 1.2mH Min. @100KHz 50mV
- PRI Q: 8 Min @10KHz 50mV
- Cw/w: 35pF Maximum @100KHz 50mV (PRI/SEC)
- Leakage Inductance: 0.6uH Maximum @100KHz 50mV
- PRI DC Resistance: 0.70 Ohms Maximum
- SEC DC Resistance: 0.75 Ohms Maximum

Notes:

1. Solderability: Leads shall meet MIL-STD-202G, Method 208H for solderability.
2. Flammability: UL94V-0
3. ASTM oxygen index: > 28%
4. Insulation System: Class F 155°C, UL file E151556
5. Operating Temperature Range: All listed parameters are to be within tolerance from -40°C to +85°C
6. Storage Temperature Range: -55°C to +125°C
7. Aqueous wash compatible
8. SMD Lead Coplanarity: ±0.004°(0.102mm)
9. Electrical and mechanical specifications 100% tested
10. RoHS Compliant Component

| | | | |
|------------------------|--|---------|-----------|
| XFMR5 Inc | Title: T1/E1 TRANSFORMER | | |
| | UNLESS OTHERWISE SPECIFIED TOLERANCES: | | |
| .xxx ±0.010 | P/N: XF0013B12 | REV. B | |
| Dimensions in Inch | DWN. | Xianyí | Jul-30-08 |
| SCALE 2.5:1 SHT 1 OF 1 | CHK. | YK Liao | Jul-30-08 |
| | APP. | BW | Jul-30-08 |

DOC. REV B/4