



### Features

- Maximum height of 1.6 mm
- Current up to 1.85 A
- Lead free
- RoHS compliant\*

### Applications

- Input/output of DC/DC converters
- Power supplies for:
  - Portable communication equipment
  - Camcorders
  - LCD TVs
  - Car radios

## SRU3014 Series - Shielded SMD Power Inductors

### Electrical Specifications

Bourns Part No.	Inductance 100 KHz		Q Ref.	Test Frequency (MHz)	SRF Typ. (MHz)	RDC Max. (mΩ)	I rms Max. (A)	I sat Typ. (A)
	(μH)	Tol. %						
SRU3014-1R2Y	1.2	± 30	12	7.96	150	55	1.85	1.90
SRU3014-1R5Y	1.5	± 30	12	7.96	120	63	1.55	1.60
SRU3014-2R0Y	2.0	± 30	10	7.96	110	95	1.10	1.30
SRU3014-3R0Y	3.0	± 30	12	7.96	80	135	1.00	1.10
SRU3014-4R7Y	4.7	± 30	15	7.96	70	165	0.82	0.92
SRU3014-6R8Y	6.8	± 30	10	7.96	50	230	0.70	0.78
SRU3014-100Y	10	± 30	30	2.52	40	290	0.64	0.66
SRU3014-150Y	15	± 30	35	2.52	30	550	0.40	0.46
SRU3014-220Y	22	± 30	35	2.52	25	875	0.32	0.36

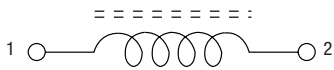
### General Specifications

Test Voltage.....0.1 V  
 Reflow Soldering ...230 °C, 50 sec. max.  
 Operating Temperature ..-40 °C to +125 °C  
 (Temperature rise included)  
 Storage Temperature...-40 °C to +125 °C  
 Resistance to Soldering Heat  
 .....260 °C for 10 sec.

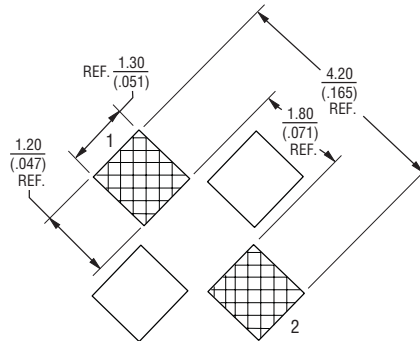
### Materials

Core.....Ferrite DR and RI core  
 Wire .....Enameled copper  
 Terminal .....Ag/Ni/Sn  
 Rated Current  
 .....Ind. drop 35 % typ. at Isat  
 Temperature Rise  
 .....40 °C max. at rated Irms  
 Packaging.....1,200 pcs. per reel

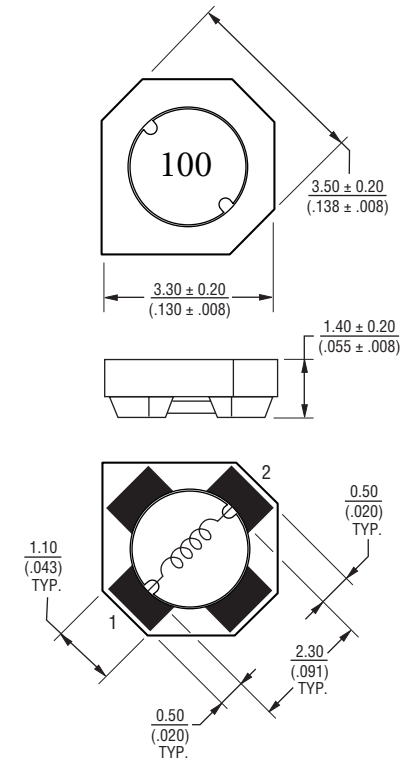
### Electrical Schematic



### Recommended Layout



### Product Dimensions



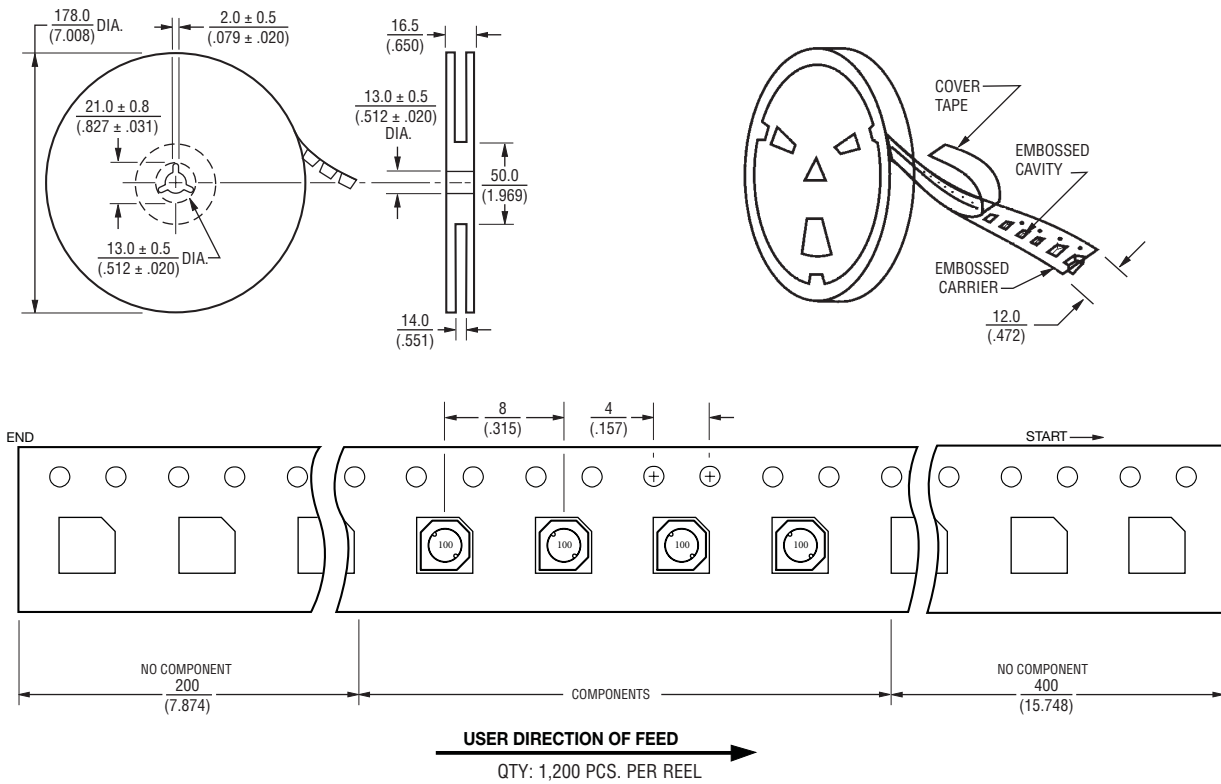
DIMENSIONS:  $\frac{\text{MM}}{\text{(INCHES)}}$

\*RoHS Directive 2002/95/EC Jan 27 2003 including Annex  
 Specifications are subject to change without notice.  
 Customers should verify actual device performance in their specific applications.

# SRU3014 Series - Shielded SMD Power Inductors

**BOURNS®**

## Packaging Specifications



DIMENSIONS:  $\frac{\text{MM}}{\text{(INCHES)}}$