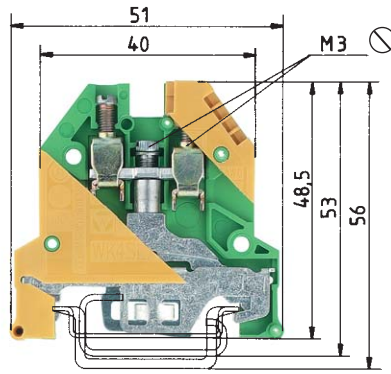


# Ground blocks type WK/WKN... SL/U

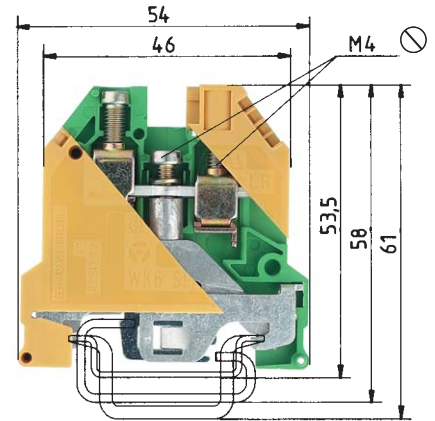
# selos



enclosed design

### WK 4 SL/U

fine stranded solid V A  
 0.5 – 4 mm<sup>2</sup> 0.5 – 6 mm<sup>2</sup> 800 V/8 kV/3<sup>\*</sup> \*\*)  
 No. 22-10 AWG  
 No. 20-10 AWG  
 6 mm 9 mm  
 EPM SEV-EEX AEN N NV FI KECH ECH S LR RU \* CE \*\*  
 BKI-EEx B



enclosed design

### WK 6 SL/U

fine stranded solid V A  
 0.5 – 6 mm<sup>2</sup> 0.5 – 10 mm<sup>2</sup> 800 V/8 kV/3<sup>\*</sup> \*\*)  
 No. 22-8 AWG  
 No. 20-8 AWG  
 8 mm 12 mm  
 EPM SEV-EEX AEN N NV FI KECH ECH S LR RU \* CE \*\*  
 BKI-EEx B

EN 60 947-7-2/DIN VDE 0611 T3  
 UL-ratings field/factory wiring  
 CSA ratings  
 Width Wire strip length  
 Approvals

Ground block with U-foot	Color: yellow/green	Type	Part no.	Std. pack	Type	Part no.	Std. pack
<b>EEx e ground block with U-foot<sup>1)</sup></b>		WK 4 SL/U	57.504.9055.0	100	WK 6 SL/U	57.506.9055.0	100
		WK 4 SL/U <sup>2)</sup>	57.504.9055.0	100	WK 6 SL/U <sup>2)</sup>	57.506.9055.0	100
<b>Accessories</b>							
1. Mounting rail TS 35, DIN rail, 7.5 mm high	L = 2 m	35 x 27 x 7,5 EN 60715	98.300.0000.0	1	35 x 27 x 7,5 EN 60715	98.300.0000.0	1
Mounting rail TS 35, DIN rail, 15mm high	L = 2 m	35 x 24 x 15 EN 60715	98.360.0000.0	1	35 x 24 x 15 EN 60715	98.360.0000.0	1
Mounting rail TS 32, G rail	L = 2 m	9006 EN 60715 G-32	98.190.0000.0	1	9006 EN 60715 G-32	98.190.0000.0	1
2. End clamp with U-foot	10 mm wide						
End clamp TS 35, with screw	8 mm wide						
End clamp TS 32, with screw	7.5 mm wide						
3. End plate, 1.5 mm thick	Color: gray						
	Color: blue						
End plate, 2 mm thick	Color: gray						
	Color: blue						
4. Partition, 1.5 mm thick	Color: gray						
	Color: blue						
Partition, 2 mm thick	Color: gray						
	Color: blue						
Partition, 3 mm thick	Color: gray						
	Color: blue						
5. Cross connector with screws, E-Cu insulated (jumper)	2pole						
	3pole						
	to 12pole						
6. Single cover f. cross conn. with marking facility							
7. Snap-in partition plate with marking facility							
8. Cover strip for cross conn. over 10 blocks							
Cover strip with warn. symb. over 4 blocks							
For more accessories see pages 160-177							
For marking systems see pages 178-179 and 200-202							
* CL I, ZN1, AExe II / **CL I, ZN1, Exe II pending							
* CL I, ZN1, AExe II / **CL I, ZN1, Exe II pending							

<sup>\*)</sup> Ratings to adjacent feed-through blocks of the same series and size

<sup>\*\*\*)</sup> For the current carrying capability of the mounting rail see section **facts & DATA**

<sup>1)</sup> EEx e terminal blocks are subject to certification. The relevant indications in the certificate apply (e.g. 660V)

<sup>2)</sup> Part certificates for EEx e approval: EEx e II ASEV 91.1 B11638U

