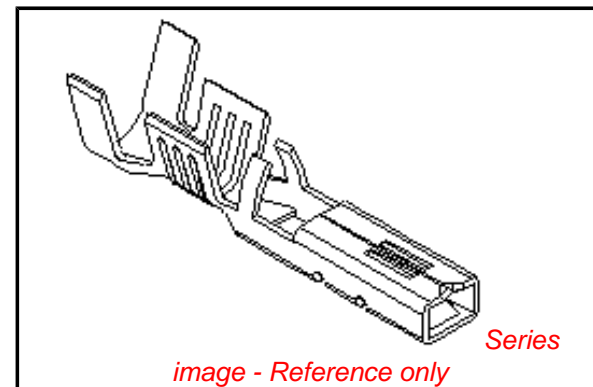


PLEASE CHECK WWW.MOLEX.COM FOR LATEST PART INFORMATION

Part Number: **0357480310**
Status: **Active**
Overview: versablade
Description: Crimp Terminal 35748, 18+18, 20+20 AWG

Documents:

Drawing (PDF)	Product Specification PS-35180-003 (PDF)
Product Specification PS-35150-001 (PDF)	Product Specification PS-35182-003 (PDF)
Product Specification PS-35150-003 (PDF)	Product Specification PS-35524-001 (PDF)
Product Specification PS-35180-002 (PDF)	RoHS Certificate of Compliance (PDF)



General

Product Family	Crimp Terminals
Series	<u>35748</u>
Crimp Quality Equipment	Yes
Overview	<u>versablade</u>
Product Name	VersaBlade™

Physical

Gender	Female
Material - Metal	Phosphor Bronze
Material - Plating Mating	Tin
Material - Plating Termination	Tin
Packaging Type	Reel
Plating min: Mating (µin)	32.00
Plating min: Mating (µm)	0.800
Plating min: Termination (µin)	32.00
Plating min: Termination (µm)	0.80
Wire Insulation Diameter	6.00mm (.236") max.
Wire Size AWG	18+18, 20+20
Wire Size mm²	N/A

Material Info

Reference - Drawing Numbers

Product Specification	PS-35150-001, PS-35150-003, PS-35180-002, PS-35180-003, PS-35182-003, PS-35524-001
-----------------------	--

EU RoHS

ELV and RoHS Compliant
REACH SVHC Contains SVHC: No
Halogen-Free Status

China RoHS



Need more information on product environmental compliance?

Email productcompliance@molex.com
 For a multiple part number RoHS Certificate of Compliance, [click here](#)

Please visit the [Contact Us](#) section for any non-product compliance questions.

Search Parts in this Series

[35748Series](#)

Application Tooling | [FAQ](#)

Tooling specifications and manuals are found by selecting the products below. Crimp Height Specifications are then contained in the Application Tooling Specification document.

Global

Description	Product #
Hand Crimp Tool	0638190700
T2 Terminator Die	0638529200
FineAdjust™ Applicator	0638629200

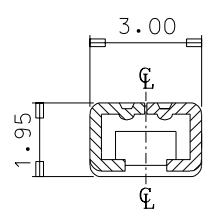
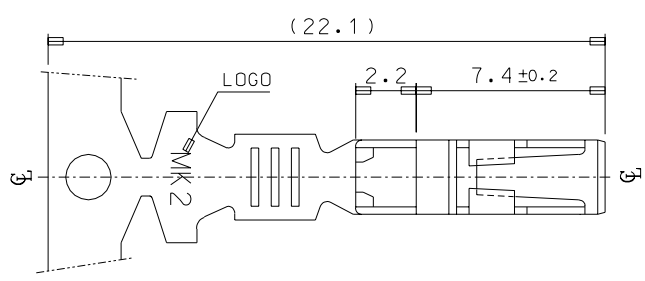
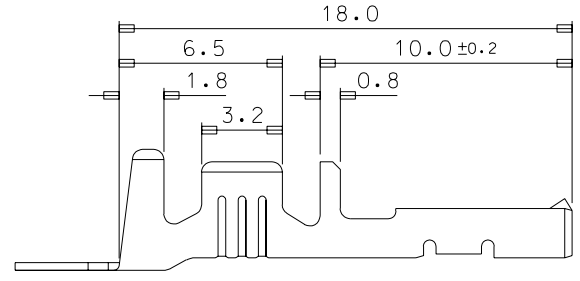
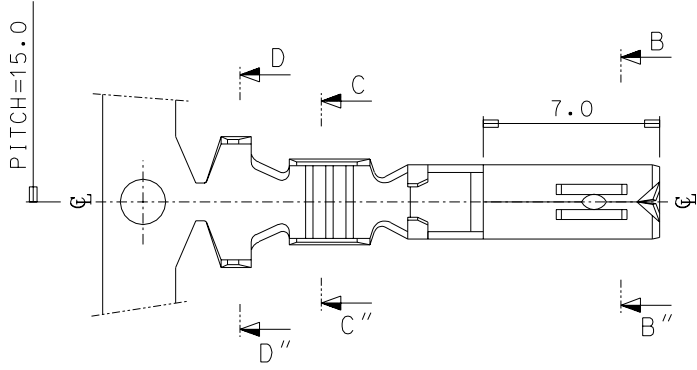
PLEASE CHECK WWW.MOLEX.COM FOR LATEST PART INFORMATION

DO NOT SCALE DRAWING
DIMENSION IN METRIC

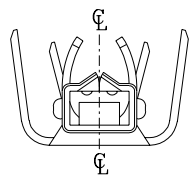
PROJECT NO.
.070 W/W CONN'

SIMILAR ITEM

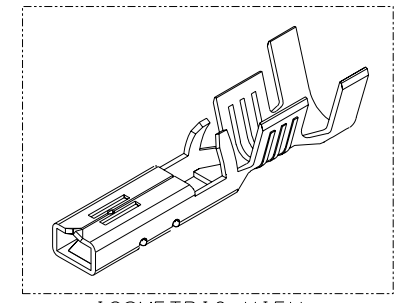
DWG. NO.
SD 35748-002



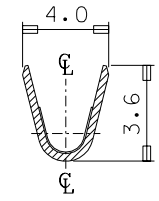
SEC' : B-B''



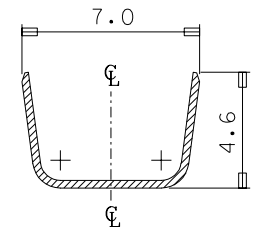
- NOTES
- MATERIAL : PHOSPHOR BRONZE
0.3mm THICKNESS
 - FINISH : PRE-PLATED TIN
 - RECOMMENDED LENGTH OF WIRE STRIP IS 4.0-4.8mm.



ISOMETRIC VIEW



SEC' : C-C''



SEC' : D-D''

REVISED	EC NO. KOR2004-0015 DRWN: C.-B.CHIN 03/07/15 CHK: W.Y.YANG APPR: C.W.LEE	QUALITY SYMBOLS MAJOR $\blacktriangledown = 0$ CRITICAL $\blacktriangle = 0$	GENERAL TOLERANCES: (UNLESS SPECIFIED)		SCALE 5:1	DESIGN UNITS <input checked="" type="checkbox"/> mm <input type="checkbox"/> INCH	THIRD ANGLE PROJECTION <input checked="" type="checkbox"/> THIRD ANGLE	DIMENSIONS: <input type="checkbox"/> mm <input type="checkbox"/> INCH <input checked="" type="checkbox"/> mm ONLY		SHT	REV		
			4 PLACES $\pm 0.$	mm	INCH	±.		±.	DRAWN BY & DATE B.K.CHOI 92/11/17		TITLE: .070 FEMALE TM'L-L (B-TYPE)		
D	REV		3 PLACES $\pm 0.$	±0.	±.	CHECKED BY & DATE B.K.CHOI 92/11/17		MOLEX MOLEX INCORPORATED					
			2 PLACES ± 0.30	±0.30	±.	APPROVED BY & DATE C.W.LEE							
			1 PLACE ± 0.30	±0.30	±.	CAD FILENAME S35748AB.DGN	MATERIAL NO. 357480310	DRAWING NO. SD-35748-002	SHEET NO. 1 OF 1		SIZE B		
			ANGULAR: $\pm 1^\circ$			DRAFT WHERE APPLICABLE MUST REMAIN WITHIN DIMENSIONS						THIS DRAWING CONTAINS INFORMATION THAT IS PROPRIETARY TO MOLEX INCORPORATED AND SHOULD NOT BE USED WITHOUT WRITTEN PERMISSION.	