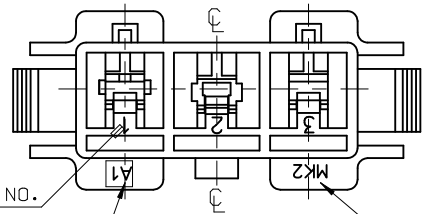
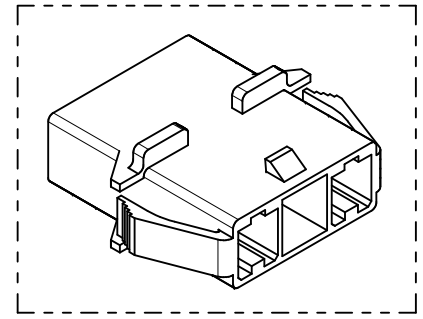
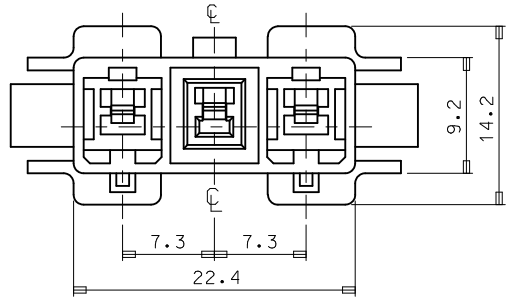


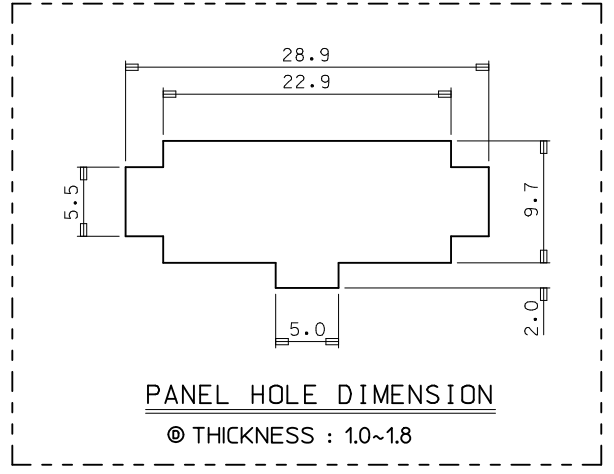
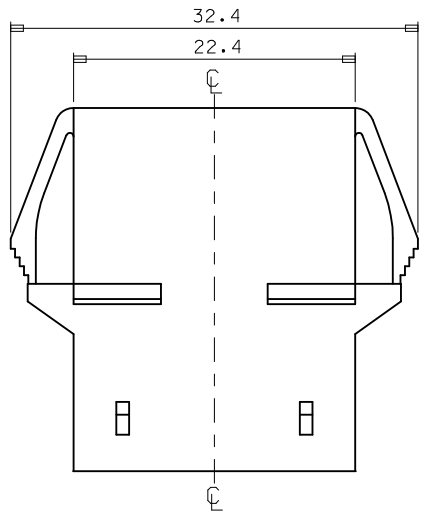
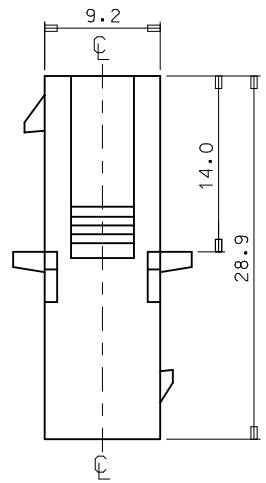
10 9 8 7 6 5 4 3 2 1



CIRCUIT NO. 1  
 2  
 3  
 TRADE MARK (MK2)  
 © TOOL NO & CAVITY NO (TOOL:A.B. CAV:1.2.)  
**VIEW "A"**



- NOTES.
1. MATERIAL & COLOR : SEE TABLE
  2. MATED HOUSING : 35151-031\*
  3. APPLICABLE TERMINAL : 35745-0\*10 (1 CIRCUIT)  
 35746-0\*10 (2 CIRCUIT)  
 35747-0\*10 (3 CIRCUIT)
  4. APPLICABLE T.P.A : 35150-039\*
  5. PRODUCT SPECIFICATION : PS-35150-003



NO	PRODUCT		MATERIAL
	PART NO	COLOR	DESCRIPTION
1	35150-0310	NATURAL	POLYESTER (PBT) (UL94V-0)
2	35150-0314	BLUE	
3	35150-0319	NATURAL	
4	35150-2319	RED	PC/PET (UL94V-0)
5	35150-3319	YELLOW	
6	35150-4319	BLUE	

REVISED  
 EC NO: KOR2010-0092  
 DRWN: JHPARK01 2010/01/14  
 CHKD: WY. YANG 2010/01/14  
 APPR: YUNSIKKIM 2010/01/14

QUALITY SYMBOLS	GENERAL TOLERANCES (UNLESS SPECIFIED)	
	mm	INCH
▽=0	4 PLACES ± ---	± ---
∇=0	3 PLACES ± ---	± ---
	2 PLACES ± ---	± ---
	1 PLACE ± 0.3	± ---
	ANGULAR ± 1 °	
	DRAFT WHERE APPLICABLE MUST REMAIN WITHIN DIMENSIONS	

DIMENSION STYLE		SCALE	DESIGN UNITS	THIRD ANGLE PROJECTION
MM ONLY		1:1	METRIC	
DRAWN BY JS.KANG	DATE	TITLE 7.3 PITCH W/W CONN MALE HSG-3P(W/EAR)		
CHECKED BY	DATE	APPROVED BY		
MATERIAL NO.		DOCUMENT NO.		SHEET NO.
SEE TABLE		SD-35150-031*		1 OF 01
THIS DRAWING CONTAINS INFORMATION THAT IS PROPRIETARY TO MOLEX INCORPORATED AND SHOULD NOT BE USED WITHOUT WRITTEN PERMISSION				

9 8 7 6 5 4 3 2 1