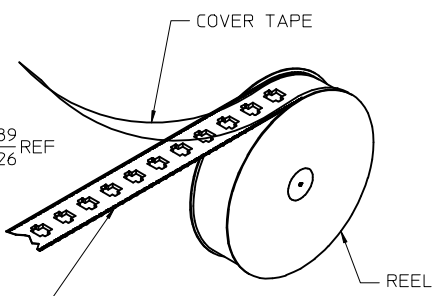
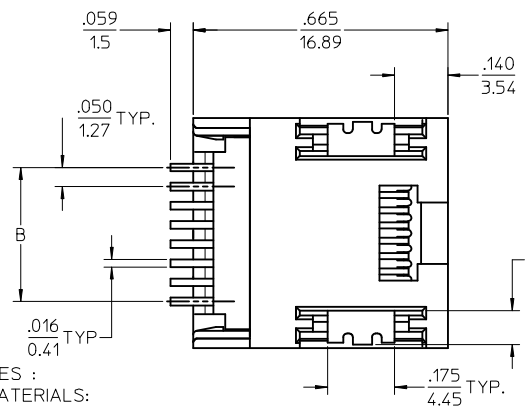


HOUSING SIZE	CIRCUIT SIZE	DIM. A	DIM. B
6	6	.520 (13.21)	.250 (6.35)
6	4	.520 (13.21)	.150 (3.81)
6	2	.520 (13.21)	.050 (1.27)
8	8	.600 (15.24)	.350 (8.89)
8	6	.600 (15.24)	.250 (6.35)



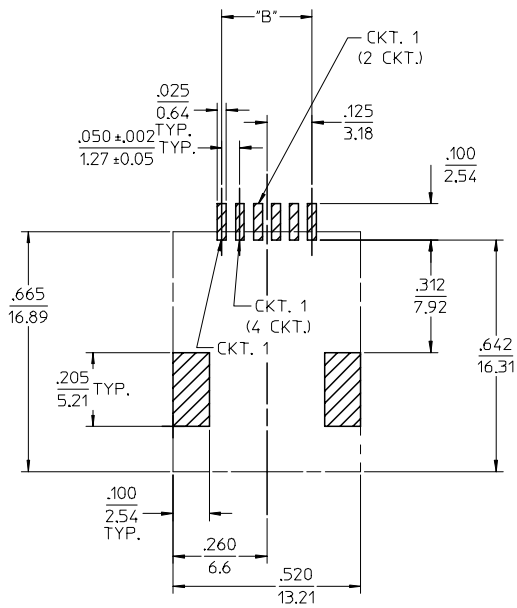
- NOTES :
- MATERIALS:
HOUSING: NYLON, GLASS-FILLED, UL94V-0; COLOR - SEE CHART
TERMINALS: PHOSPHOR BRONZE, .012/(0.30) THICK
FITTING NAILS: BRASS ALLOY, .010/(0.25) THICK
 - FINISH:
TERMINALS:
(A) SELECT GOLD IN CONTACT AREA: .000050/(0.00127) MIN.,
*SELECT MATTE TIN IN PC TAIL AREA: .000100/(0.00254) MIN.,
WITH OVERALL NICKEL UNDERPLATE: .000050/(0.00127) MIN.
(B) SELECT GOLD IN CONTACT AREA: .000030/(0.00076) MIN.,
*SELECT MATTE TIN IN PC TAIL AREA: .000100/(0.00254) MIN.,
WITH OVERALL NICKEL UNDERPLATE: .000050/(0.00127) MIN.
(C) SELECT GOLD IN CONTACT AREA: .000015/(0.00038) MIN.,
*SELECT MATTE TIN IN PC TAIL AREA: .000100/(0.00254) MIN.,
WITH OVERALL NICKEL UNDERPLATE: .000050/(0.00127) MIN.
FITTING NAILS:
*100 MICROINCHES MATTE TIN OVER 50 MICROINCHES NICKEL UNDERPLATE
*THE PRIMARY SHIPPING CARTON WILL BE LABELED "ELV AND RoHS COMPLIANT" CARTONS WITHOUT THIS LABEL MAY CONTAIN PRODUCT WITH TIN-LEAD IN THE PC TAIL AND/OR FITTING NAILS.
 - PRODUCT SPECIFICATION: PS-43743-001
 - COPLANARITY SPECIFICATION:
WITH THE MODULAR JACK SITTING ON A LEVEL SURFACE, THE MAXIMUM GAP BETWEEN THE LEVEL SURFACE AND ALL TERMINAL TAILS AND BOTH FITTING NAILS IS .006/(0.15).
 - FOR ASSEMBLIES HAVING VOIDED CIRCUITS, THE TAIL PORTION IS CUT AND REMOVED. THE MATING PORTION OF THE TERMINAL REMAINS INTACT.
 - CONVECTION SOLDERING TECHNOLOGY SHOULD BE USED WHEN GANGING MODULAR JACKS WITH INBOARD NAILS SIDE-BY-SIDE.
 - THIS PART CONFORMS TO CLASS B REQUIREMENTS OF COSMETIC SPECIFICATION PS-45499-002.

ASSEMBLY ITEM NO.	CONNECTOR SIZE	CIRCUIT SIZE	TERMINAL PLATING	TAPE & REEL PACKAGING No.	VOIDED CIRCUITS	HOUSING COLOR
44144-0001	8	4	A	PK-70873-7002	NA	BLACK
44144-0002	8	6	A	PK-70873-7002		
44144-0003	8	8	A	PK-70873-7002		
44144-0004	6	4	A	PK-70873-7001		
44144-0005	6	6	A	PK-70873-7001		
44144-0006	8	4	B	PK-70873-7002		
44144-0007	8	6	B	PK-70873-7002		
44144-0008	8	8	B	PK-70873-7002		
44144-0009	6	4	B	PK-70873-7001		
44144-0010	6	6	B	PK-70873-7001		
44144-0011	8	4	C	PK-70873-7002		
44144-0012	8	6	C	PK-70873-7002		
44144-0013	8	8	C	PK-70873-7002		
44144-0014	6	4	C	PK-70873-7001		
44144-0015	6	6	C	PK-70873-7001	NA	
44144-0016	8	4	C	PK-70873-7001	2,3,6,7	
44144-0017	6	2	A	PK-70873-7001	NA	
44144-0018	6	2	B	PK-70873-7001		
44144-0019	6	2	C	PK-70873-7001		
44144-0023	8	2	A	PK-70873-7002	NA	

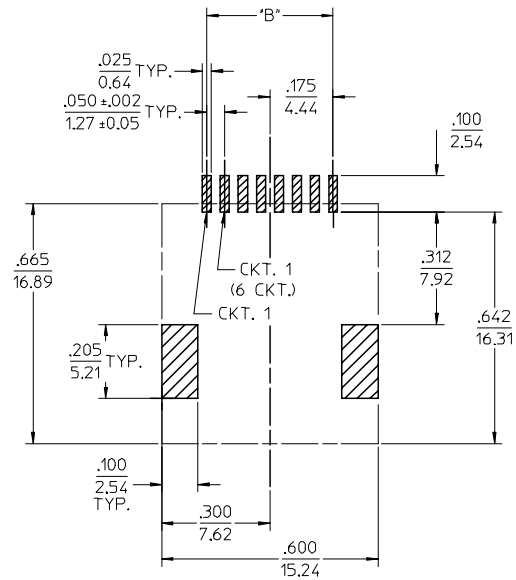
TAPE AND REEL PACKAGING

2	G
1	H4
SH	REV

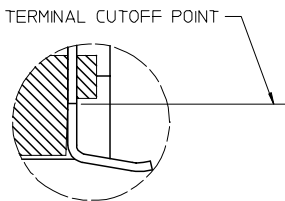
REVISED NOTES EC NO: UCP2009-1244 DRWN:JKLOSTEMEIER2008/12/10 CHKD:JBELL 2008/12/10 APPR:FSMITH 2008/12/10	QUALITY SYMBOLS ▽=0 ▽=0	GENERAL TOLERANCES (UNLESS SPECIFIED)		DIMENSION STYLE IN/MM	SCALE 4:1	DESIGN UNITS INCH	THIRD ANGLE PROJECTION
		4 PLACES ± --- ± --- 3 PLACES ± --- ± .010 2 PLACES ± 0.25 ± .015 1 PLACE ± 0.38 ± ---	DRAWN BY MUELLER	DATE 98/03/13	TITLE 4, 6, 8 CIRCUIT SMT MODULAR JACK W/ FLUSH FITTING NAILS		
		ANGULAR ±1/2°	CHECKED BY ROBERTS	DATE 98/03/16	MOLEX MOLEX INCORPORATED		
		DRAFT WHERE APPLICABLE MUST REMAIN WITHIN DIMENSIONS	APPROVED BY R EDGLEY	DATE 98/03/17	DOCUMENT NO. SD-44144-001		
H4	REV	SEE CHART	SHEET NO. 1 OF 2	THIS DRAWING CONTAINS INFORMATION THAT IS PROPRIETARY TO MOLEX INCORPORATED AND SHOULD NOT BE USED WITHOUT WRITTEN PERMISSION			



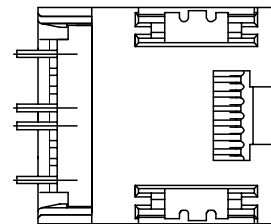
PCB LAYOUT FOR CONNECTOR SIZE 6
(COMPONENT SIDE OF BOARD)



PCB LAYOUT FOR CONNECTOR SIZE 8
(COMPONENT SIDE OF BOARD)



VIEW SHOWING TYPICAL TERMINAL
CUTOFF OF TAIL (SEE NOTE 5) FOR VOIDED CIRCUITS.



TYPICAL VIEW SHOWING VOIDED CIRCUIT
44144-0016 SHOWN

SEE SHEET ONE EC NO: UCP2004-0798 DRW:LSCHMIDT 2004/01/05 CHKD:LSCHMIDT 2004/01/05 APPR:FSMITH 2004/01/08	QUALITY SYMBOLS	GENERAL TOLERANCES (UNLESS SPECIFIED)	SCALE 4:1	DESIGN UNITS INCH	THIRD ANGLE PROJECTION	REVISE ON CAD ONLY																								
	DESCRIPTION ▽ = 0 ▽ = 0	<table border="1"> <thead> <tr> <th></th> <th>mm</th> <th>INCH</th> </tr> </thead> <tbody> <tr> <td>4 PLACES</td> <td>± .010</td> <td>± .001</td> </tr> <tr> <td>3 PLACES</td> <td>± .015</td> <td>± .001</td> </tr> <tr> <td>2 PLACES</td> <td>± 0.25</td> <td>± .015</td> </tr> <tr> <td>1 PLACE</td> <td>± 0.38</td> <td>± .015</td> </tr> </tbody> </table>		mm	INCH	4 PLACES	± .010	± .001	3 PLACES	± .015	± .001	2 PLACES	± 0.25	± .015	1 PLACE	± 0.38	± .015	<table border="1"> <thead> <tr> <th colspan="2">DIMENSION STYLE</th> </tr> <tr> <th>IN/MM</th> <th>DATE</th> </tr> </thead> <tbody> <tr> <td>DRAWN BY</td> <td>DSTAMBAU 00/04/07</td> </tr> <tr> <td>CHECKED BY</td> <td>BWIRKUS 00/04/07</td> </tr> <tr> <td>APPROVED BY</td> <td>R EDGLEY 00/04/07</td> </tr> </tbody> </table>	DIMENSION STYLE		IN/MM	DATE	DRAWN BY	DSTAMBAU 00/04/07	CHECKED BY	BWIRKUS 00/04/07	APPROVED BY	R EDGLEY 00/04/07	TITLE	
			mm	INCH																										
		4 PLACES	± .010	± .001																										
3 PLACES	± .015	± .001																												
2 PLACES	± 0.25	± .015																												
1 PLACE	± 0.38	± .015																												
DIMENSION STYLE																														
IN/MM	DATE																													
DRAWN BY	DSTAMBAU 00/04/07																													
CHECKED BY	BWIRKUS 00/04/07																													
APPROVED BY	R EDGLEY 00/04/07																													
	DRAFT WHERE APPLICABLE MUST REMAIN WITHIN DIMENSIONS	THIS DRAWING CONTAINS INFORMATION THAT IS PROPRIETARY TO MOLEX INCORPORATED AND SHOULD NOT BE USED WITHOUT WRITTEN PERMISSION																												

4, 6, 8 CIRCUIT SMT
MODULAR JACK W/ FLUSH
FITTING NAILS

MOLEX INCORPORATED

SEE CHART SD-44144-001 2 OF 2