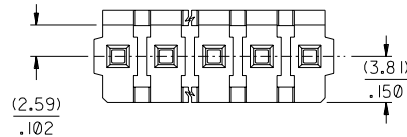




SPACING TAB  
SEE NOTE 6

VIEW A



A - 41681 - \* N \* \* - \*

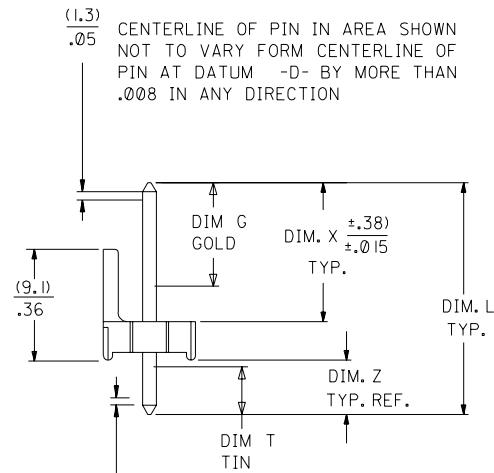
PACKAGING AND OPTIONS

NO. OF CKTS

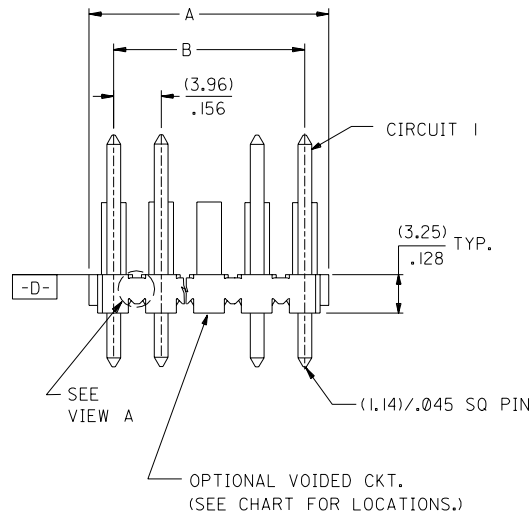
PIN DIMENSIONS

PLATING

VOID LOCATIONS  
BLANK=NO VOIDS  
NO.=CKT. NO. VOIDED  
MULT. VOIDS START WITH 51



CENTERLINE OF PIN IN AREA SHOWN NOT TO VARY FROM CENTERLINE OF PIN AT DATUM -D- BY MORE THAN .008 IN ANY DIRECTION



CIRCUIT 1

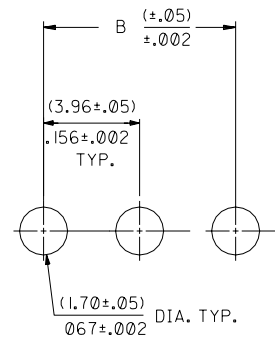
SEE VIEW A

OPTIONAL VOIDED CKT.  
(SEE CHART FOR LOCATIONS.)

CENTERLINE OF PIN IN AREA SHOWN NOT TO VARY FROM CENTERLINE OF PIN AT DATUM -D- BY MORE THAN .005 IN ANY DIRECTION

NOTES:

- SOLDERABILITY: WHEN PARTS ARE SOLDERED AT A TEMPERATURE OF (230°C) OR 446°F FOR 5 SECONDS EACH SOLDERED SURFACE SHALL BE A MINIMUM OF 95% COVERED WITH A SMOOTH CONTINUOUS ADHERENT COATING. FOR OTHER INFORMATION SEE SMES-152
- PIN PUSH OUT FORCE: PRIOR TO SOLDERING, A 3 LB MINIMUM FORCE (IN EITHER DIRECTION) SHALL BE REQUIRED TO PUSH THE PIN OUT OF THE HEADER.
- MATERIAL: HEADER GLASS FILLED POLYESTER, 94V-0, MOLDED BLACK
- THIS PART CONFORMS TO PRODUCT SPEC PS-08-50
- PARTS ARE STACKABLE END TO END ON .156 CENTERS. (SPACING TABS MUST BE REMOVED ON CIRCUIT SIZES 1 THROUGH 23 BEFORE PARTS ARE STACKABLE.)
- FINISH: SEE SDES-88
  - (102) OVERALL TIN: .00508 MICROMETERS MIN OVER .00254 MICROMETERS MIN COPPER.
  - (208) SELECT GOLD: .00038 MICROMETERS MIN, \*SELECT TIN: .00254 MICROMETERS MIN, OVERALL NICKEL UNDERPLATE: .00127 MICROMETERS MIN.
  - (228) SELECT GOLD: .00076 MICROMETERS MIN, \*SELECT IN: .00254 MICROMETERS MIN, OVERALL NICKEL UNDERPLATE: .00127 MICROMETERS MIN.
- THE PRIMARY SHIPPING CARTON WILL BE LABELED "COMPLIANT TO RoHS DIRECTIVE 2002/95/EC AND ELV ANNEX II OF DIRECTIVE 2000/53/EC". CARTONS WITHOUT THIS LABEL MAY CONTAIN PRODUCT WITH TIN/LEAD PLATINGS.



PCB LAYOUT: COMPONENT SIDE  
RECOMMENDED PCB THICKNESS:  
(1.57±.18) / .062±.007

B	A	CIRCUIT
(3.96)	(6.78 / 7.87)	2
.156	.267 / .310	
(7.92)	(10.74 / 11.84)	3
.312	.423 / .466	
(11.89)	(14.71 / 15.80)	4
.468	.579 / .622	
(15.85)	(18.67 / 19.76)	5
.624	.735 / .778	
(19.81)	(22.63 / 23.72)	6
.780	.891 / .934	
(23.77)	(26.59 / 27.69)	7
.936	1.047 / 1.090	
(27.74)	(30.56 / 31.65)	8
1.092	1.203 / 1.246	
(31.70)	(34.52 / 35.61)	9
1.248	1.359 / 1.402	
(35.66)	(38.48 / 39.57)	10
1.404	1.515 / 1.558	
(39.62)	(42.44 / 43.54)	11
1.560	1.671 / 1.714	
(43.59)	(46.41 / 47.50)	12
1.716	1.827 / 1.870	
(47.55)	(50.37 / 51.46)	13
1.872	1.983 / 2.026	
(51.51)	(54.33 / 55.42)	14
2.028	2.139 / 2.182	
(55.47)	(58.29 / 59.39)	15
2.184	2.295 / 2.338	
(59.44)	(62.26 / 63.35)	16
2.340	2.451 / 2.494	
(63.40)	(66.22 / 67.31)	17
2.496	2.607 / 2.650	
(67.36)	(70.18 / 71.27)	18
2.652	2.763 / 2.806	
(71.32)	(74.14 / 75.23)	19
2.808	2.919 / 2.962	
(75.29)	(78.11 / 79.20)	20
2.964	3.075 / 3.118	
(79.25)	(82.07 / 83.16)	21
3.120	3.231 / 3.274	
(83.21)	(86.03 / 87.12)	22
3.276	3.387 / 3.430	
(87.17)	(89.94 / 91.08)	23
3.432	3.541 / 3.586	
(91.14)	(93.85 / 95.00)	24
3.588	3.695 / 3.740	

3	R
2	S
1	S

ADD SELECT GOLD UCR1998-0067 97-12-2 SAMIEC		DIMENSIONS SHOWN (METRIC/INCH) UNLESS OTHERWISE SPECIFIED TOLERANCES: ANGULAR ± 1/2°		TITLE BREAKAWAY HEADER ASSEMBLY .156 POLARIZING STRAIGHT 41681 SERIES DWG.	
LEAD FREE UCP2004-1955 4/6/2004 SAMIEC		ADD/REL A20A102-1 EC U80680 97-9-23 SAMIEC		SHEET NO. 1 OF 3 DATE 08/09/85	
REV PACK UCR2002-0487 11/29/01 SAMIEC		DEL GEO TOL ECR U51276 7-27-95 SAMIEC		MOLEX INCORPORATED 60532 U.S.A.	
LTR. REVISIONS		LTR. REVISIONS		SEE CHART S4 1681 XI	
DRWG. BY SAMIEC		CHK'D. BY PATEL		FILE NAME S4 1681 XI	
APP'D. BY LENZ		SCALE :		THIS DRAWING CONTAINS INFORMATION THAT IS PROPRIETARY TO MOLEX INC. AND SHOULD NOT BE USED WITHOUT WRITTEN PERMISSION.	

	13	12	11	10	9	8	7	6	41681	4	3	2	1
J	ENG. NUMBERS		PIN NUMBER	PLT	DIM L	DIM X	DIM G GOLD	DIM Z	DIM T TIN	PACKAGING			
	A-41681-ANA102-*		2161-1(102)	102	(19.05) .750	(11.43) .450	N/A	(4.37) .172	OVERALL	BULK PK-41681-001			
	A-41681-BNA208-*		43294-0236	208	(19.05) .750	(11.43) .450	(6.86) .270	(4.37) .172	(4.06) .160	BULK PK-41681-001			
	A-41681-BNA228-*		43294-0237	228	(19.05) .750	(11.43) .450	(6.86) .270	(4.37) .172	(4.06) .160	BULK PK-41681-001			
I			-		( )	( )	( )	( )	( )	-			
			-		( )	( )	( )	( )	( )	-			

H	COLUMN NO. 6			COLUMN NO. 6			COLUMN NO. 6			COLUMN NO. 6			COLUMN NO. 6		
	EDP NO.	ENG. NO.	VOIDS	EDP NO.	ENG. NO.	VOIDS	EDP NO.	ENG. NO.	VOIDS	EDP NO.	ENG. NO.	VOIDS	EDP NO.	ENG. NO.	VOIDS
	26-48-1023	-A2A102		41681-0001	-B02A208		41681-0024	-B02A228							
	26-48-1033	-A3A102		41681-0002	-B03A208		41681-0025	-B03A228							
	26-48-1043	-A4A102		41681-0003	-B04A208		41681-0026	-B04A228							
G	26-48-1053	-A5A102		41681-0004	-B05A208		41681-0027	-B05A228							
	26-48-1063	-A6A102		41681-0005	-B06A208		41681-0028	-B06A228							
	26-48-1073	-A7A102		41681-0006	-B07A208		41681-0029	-B07A228							
	26-48-1083	-A8A102		41681-0007	-B08A208		41681-0030	-B08A228							
	26-48-1093	-A9A102		41681-0008	-B09A208		41681-0031	-B09A228							
F	26-48-1103	-A10A102		41681-0009	-B10A208		41681-0032	-B10A228							
	26-48-1113	-A11A102		41681-0010	-B11A208		41681-0033	-B11A228							
	26-48-1123	-A12A102		41681-0011	-B12A208		41681-0034	-B12A228							
	26-48-1133	-A13A102		41681-0012	-B13A208		41681-0035	-B13A228							
	26-48-1143	-A14A102		41681-0013	-B14A208		41681-0036	-B14A228							
	26-48-1153	-A15A102		41681-0014	-B15A208		41681-0037	-B15A228							
	26-48-1163	-A16A102		41681-0015	-B16A208		41681-0038	-B16A228							
E	26-48-1173	-A17A102		41681-0016	-B17A208		41681-0039	-B17A228							
	26-48-1183	-A18A102		41681-0017	-B18A208		41681-0040	-B18A228							
	26-48-1193	-A19A102		41681-0018	-B19A208		41681-0041	-B19A228							
	26-48-1203	-A20A102		41681-0019	-B20A208		41681-0042	-B20A228							
	26-48-1213	-A21A102		41681-0020	-B21A208		41681-0043	-B21A228							
	26-48-1223	-A22A102		41681-0021	-B22A208		41681-0044	-B22A228							
	26-48-1233	-A23A102		41681-0022	-B23A208		41681-0045	-B23A228							
D	26-48-1243	-A24A102		41681-0023	-B24A208		41681-0046	-B24A228							
	26-49-6177	-A17A102-2	2												
	26-49-6137	-A13A102-12	12												
	26-49-6207	-A20A102-17	17												

ALL PARTS WITHOUT VOIDS ON THIS SHEET ARE STANDARD PRODUCT

SEE SHT. I	K	SEE SHT. I	DIMENSIONS SHOWN (METRIC) INCH UNLESS OTHERWISE SPECIFIED TOLERANCES: ANGULAR ± 1/2°	<input checked="" type="checkbox"/> = 0 <input type="checkbox"/> = 0    REVISE ONLY ON CAD SYSTEM TITLE <b>BREAKAWAY HEADER ASSEMBLY</b> <b>.156Q POLARIZING STRAIGHT</b> <b>41681 SERIES DWG.</b>									
SEE SHT. I	H	SEE SHT. I											
SEE SHT. I	G1	SEE SHT. I	<table border="1"> <tr> <td>5 PLACE ±</td> <td></td> <td>±</td> </tr> <tr> <td>2 PLACE ±</td> <td></td> <td>±</td> </tr> <tr> <td>1 PLACE ±</td> <td></td> <td>±</td> </tr> </table>	5 PLACE ±		±	2 PLACE ±		±	1 PLACE ±		±	MOLEX INCORPORATED U.S.A. L15LEJLL 60532 SHEET NO. 2 DATE 08/09/85
5 PLACE ±		±											
2 PLACE ±		±											
1 PLACE ±		±											
SEE SHT. I	E3	SEE SHT. I											
SEE SHT. I	E1	SEE SHT. I	DRAFT WHERE APPLICABLE MUST REMAIN WITHIN DIMENSIONS	PART NO. SEE CHART SDA-41681 FILE NAME S41681X2 THIS DRAWING CONTAINS INFORMATION THAT IS PROPRIETARY TO MOLEX INC. AND SHOULD NOT BE USED WITHOUT WRITTEN PERMISSION.									
SEE SHT. I	C	SEE SHT. I											
SEE SHT. I	A	SEE SHT. I	DRWG. BY: SAMIEC    CHK'D. BY: PATEL APP'D. BY: LENZ    SCALE:	DIV. KK    SIZE C									
LTR.	REVISIONS	LTR.	REVISIONS										