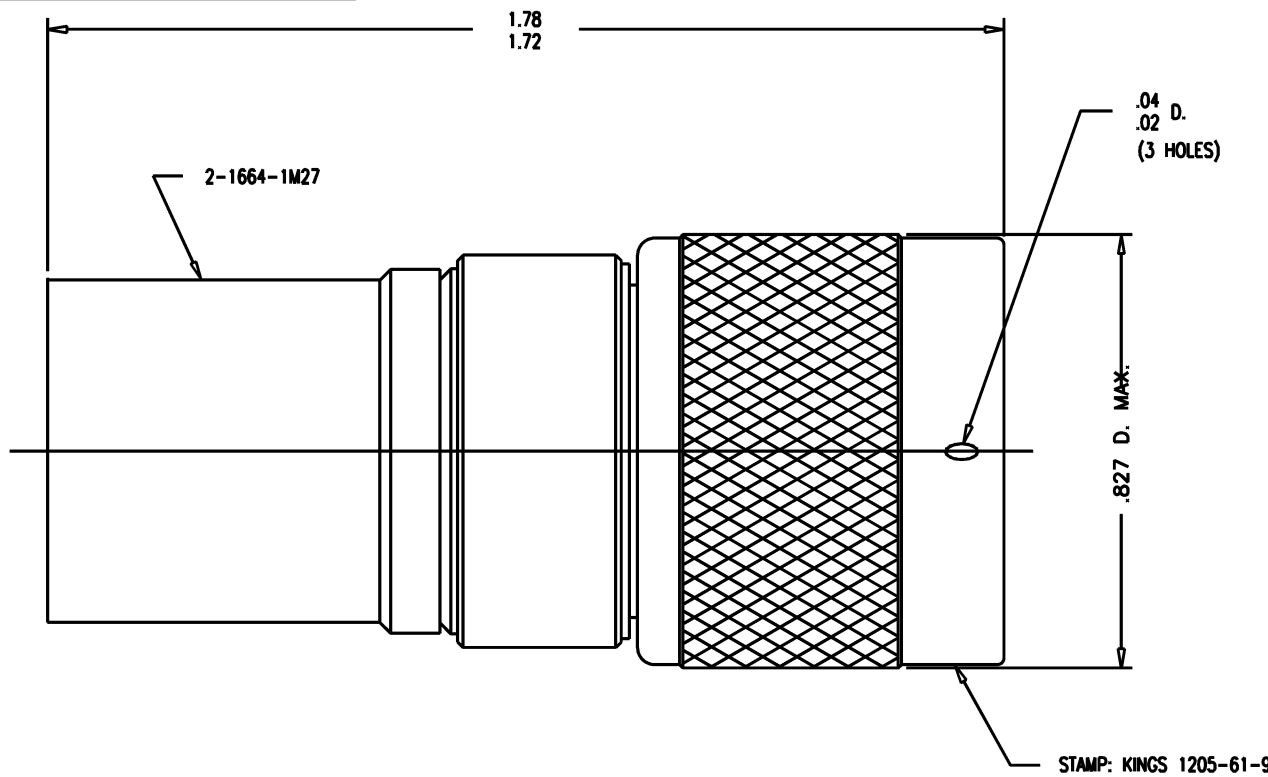


DASH NO.	M CODE	MADE FROM
----------	--------	-----------



NOTES:

- FOR USE WITH BOEING S280W503-6 & ADAMS RUSSELL FC48Z CABLE.
- FOR CABLING INSTRUCTIONS SEE 3-546-2.
- FOR CRIMPING USE DIE KTH-2229.
- INTERFACE PER MIL-STD-348, FIG. 304-1.
- CENTER CONTACT (1-7267-1MA9) SUPPLIED UNASSEMBLED.
- MARK PACKAGE: KINGS 1205-61-9
YRWK (DATE/LOCATION CODE)
- MATERIALS:
K-GRIP SLEEVE-COMMERCIAL BRONZE, ASTM-B-135
GASKET-SILICONE RUBBER, ZZ-R-765
C-RING } PHOS. BRONZE, QQ-B-750
OUTER CONTACT }
INSULATOR-TEFLON, ASTM-D-4894
ALL OTHER METAL PARTS-BRASS, ASTM-B16

- FINISHES:
CENTER CONTACT-GOLD PLATE PER MIL-G-45204
OUTER CONTACT-SILVER PLATE PER ASTM-B-700
ALL OTHER METAL PARTS-KINGS TARNISH RESISTANT FINISH (TR-5)
- ELECTRICAL CHARACTERISTICS:
NOMINAL IMPEDANCE-50 OHMS
FREQUENCY RANGE-DC TO 11 GHZ
WORKING VOLTAGE-1000 VRMS
INSERTION LOSS - DC TO 3.5 GHZ, 0.03 dB MAX
3.5 TO 5.0 GHZ, 0.135 dB MAX
- WEIGHT: 43.1 GRAMS (0.095 POUNDS)

PART NO. 1205-61-9

REVISIONS	
ISSUE	CHANGES
C	ER 8354 RMS 05/27/08

CUSTOMER SALES DRAWING

SCALE 4:1
APPROX SURFACE AREA
WAS: E-18298
USED ON
REF:

PLUG, N

DRAWN KH	DATE 04/08/94
DESIGN JT	DATE 04/11/94
APPR.	DATE

KINGS
by WINCHESTER

Winchester Electronics
62 Barnes Industrial
Road North
Wallingford, CT 06492

B
SIZE

SD1205-61-9

UNLESS OTHERWISE SPECIFIED

- ALL DIMENSIONS IN INCHES [MILLIMETERS].
- TOLERANCES:
.XXX ±.004 .XX ±.010
[.XXX ±.10] [.XX ±.25]
FRACTIONS: X/Y ±.010 [.25] ANGLES: ± 1'

★ CRITICAL DIMENSIONS