



# 0.8Ω, Low-Voltage, Single-Supply SPDT Analog Switch in SC70

MAX4714

## General Description

The MAX4714 is a low on-resistance, low-voltage single-pole/double-throw (SPDT) analog switch that operates from a single +1.6V to +3.6V supply. The MAX4714 has break-before-make switching. This device also has fast switching speeds ( $t_{ON} = 18\text{ns}$ , max,  $t_{OFF} = 12\text{ns}$ , max).

When powered from a +3V supply, the MAX4714 features 0.8Ω (max) on-resistance ( $R_{ON}$ ), with 0.18Ω (max)  $R_{ON}$  matching and flatness. The digital logic input is 1.8V CMOS compatible when using a single +3V supply.

The MAX4714 is pin compatible with the MAX4599 and is available in a 6-pin SC70 or μDFN package.

## Applications

- Power Routing
- Battery-Operated Equipment
- Audio and Video Signal Routing
- Low-Voltage Data-Acquisition Systems
- Communications Circuits
- PCMCIA Cards
- Cellular Phones
- Modems
- Hard Drives

## Features

- ◆ **Low  $R_{ON}$**   
0.8Ω (max) (+3V Supply)  
2.5Ω (max) (+1.8V Supply)
- ◆ **0.18Ω max  $R_{ON}$  Flatness (+3V Supply)**
- ◆ **+1.6V to +3.6V Single-Supply Operation**
- ◆ **Available in 6-Pin μDFN (1.5mm x 1mm) and SC70 Packages**
- ◆ **Fast Switching:  $t_{ON} = 18\text{ns}$  (max),  $t_{OFF} = 12\text{ns}$  (max)**
- ◆ **1.8V CMOS Logic Compatible (+3V Supply)**
- ◆ **Pin Compatible with MAX4599**
- ◆ **Guaranteed Break-Before-Make**

## Ordering Information

PART	TEMP RANGE	PIN-PACKAGE	TOP MARK
MAX4714EXT-T	-40°C to +85°C	6 SC70-6	AAY
MAX4714ELT-T	-40°C to +85°C	6 μDFN-6	AJ

## Pin Configurations/Functional Diagrams/Truth Table

TOP VIEW

μDFN

SC70-6

LOGIC	NC	NO
0	ON	OFF
1	OFF	ON

SWITCHES SHOWN FOR LOGIC 0 INPUT

# 0.8Ω, Low-Voltage, Single-Supply SPDT Analog Switch in SC70

## ABSOLUTE MAXIMUM RATINGS

Voltages Referenced to GND	6-Pin SC70 (derate 3.1mW/°C above +70°C).....	247mW
V+, IN .....	6-Pin μDFN-6 (derate 2.1mW/°C above +70°C) .....	167mW
COM, NC, NO (Note 1).....	Operating Temperature Range	
Continuous Current NO, NC to COM.....	MAX4714EXT .....	-40°C to +85°C
Peak Current NO, NC to COM	Junction Temperature .....	+150°C
(pulsed at 1ms, 10% duty cycle max) .....	Storage Temperature Range .....	-65°C to +150°C
Continuous Power Dissipation	Lead Temperature (soldering, 10s) .....	+300°C

**Note 1:** Signals on NC, NO, and COM exceeding V+ or GND are clamped by internal diodes.

Stresses beyond those listed under "Absolute Maximum Ratings" may cause permanent damage to the device. These are stress ratings only, and functional operation of the device at these or any other conditions beyond those indicated in the operational sections of the specifications is not implied. Exposure to absolute maximum rating conditions for extended periods may affect device reliability.

## ELECTRICAL CHARACTERISTICS—Single +3V Supply

(V+ = +2.7V to +3.6V, V<sub>IH</sub> = +1.4V, V<sub>IL</sub> = +0.5V, T<sub>A</sub> = T<sub>MIN</sub> to T<sub>MAX</sub>, unless otherwise noted. Typical values are at V+ = +3.0V and T<sub>A</sub> = +25°C.) (Notes 2, 3)

PARAMETER	SYMBOL	CONDITIONS	T <sub>A</sub>	MIN	TYP	MAX	UNITS
<b>ANALOG SWITCH</b>							
Analog Signal Range	V <sub>COM</sub> , V <sub>NO</sub> , V <sub>NC</sub>			0		V+	V
On-Resistance (Note 4)	R <sub>ON</sub>	V+ = 2.7V, I <sub>COM</sub> = 100mA, V <sub>NO</sub> or V <sub>NC</sub> = 1.5V	+25°C		0.6	0.8	Ω
			T <sub>MIN</sub> to T <sub>MAX</sub>			0.9	
On-Resistance Match Between Channels (Note 5)	ΔR <sub>ON</sub>	V+ = 2.7V, I <sub>COM</sub> = 100mA, V <sub>NO</sub> or V <sub>NC</sub> = 1.5V	+25°C		0.03	0.06	Ω
			T <sub>MIN</sub> to T <sub>MAX</sub>			0.08	
On-Resistance Flatness (Note 6)	R <sub>FLAT(ON)</sub>	V+ = 2.7V, I <sub>COM</sub> = 100mA, V <sub>NO</sub> or V <sub>NC</sub> = 0.6V, 1.5V, 2.1V	+25°C		0.1	0.18	Ω
			T <sub>MIN</sub> to T <sub>MAX</sub>			0.2	
NO or NC Off-Leakage Current	I <sub>NO(OFF)</sub> , I <sub>NC(OFF)</sub>	V+ = 3.3V, V <sub>COM</sub> = 0.3V, 3V, V <sub>NO</sub> or V <sub>NC</sub> = 3V, 0.3V	+25°C	-1		+1	nA
			T <sub>MIN</sub> to T <sub>MAX</sub>		-5		
COM On-Leakage Current	I <sub>COM(ON)</sub>	V+ = 3.3V, V <sub>COM</sub> = 0.3V, 3V, V <sub>NO</sub> or V <sub>NC</sub> = 0.3V, 3V or floating	+25°C	-2		+2	nA
			T <sub>MIN</sub> to T <sub>MAX</sub>		-10		
<b>DYNAMIC</b>							
Turn-On Time	t <sub>ON</sub>	V <sub>NO</sub> or V <sub>NC</sub> = 1.5V, R <sub>L</sub> = 50Ω, C <sub>L</sub> = 35pF, Figure 1	+25°C		13	18	ns
			T <sub>MIN</sub> to T <sub>MAX</sub>			20	
Turn-Off Time	t <sub>OFF</sub>	V <sub>NO</sub> or V <sub>NC</sub> = 1.5V, R <sub>L</sub> = 50Ω, C <sub>L</sub> = 35pF, Figure 1	+25°C		6	12	ns
			T <sub>MIN</sub> to T <sub>MAX</sub>			15	
Break-Before-Make Delay (Note 7)	t <sub>BBM</sub>	V <sub>NO</sub> or V <sub>NC</sub> = 1.5V, R <sub>L</sub> = 50Ω, C <sub>L</sub> = 35pF, Figure 2	+25°C	1	9		ns
			T <sub>MIN</sub> to T <sub>MAX</sub>	1			
Charge Injection	Q	V <sub>GEN</sub> , R <sub>GEN</sub> , C <sub>L</sub> = 1.0nF, Figure 3	+25°C		22		pC
Off-Isolation (Note 8)	V <sub>ISO</sub>	f = 1MHz, V <sub>COM</sub> = 1V <sub>RMS</sub> , R <sub>L</sub> = 50Ω, C <sub>L</sub> = 5pF, Figure 4	+25°C		-54		dB
Crosstalk (Note 9)		f = 1MHz, V <sub>COM</sub> = 1V <sub>RMS</sub> , R <sub>L</sub> = 50Ω, C <sub>L</sub> = 5pF, Figure 4	+25°C		-54		dB
Total Harmonic Distortion	THD	f = 20Hz to 20kHz, V <sub>COM</sub> = 2V <sub>P-P</sub> , R <sub>L</sub> = 32Ω	+25°C		0.01		%

# 0.8Ω, Low-Voltage, Single-Supply SPDT Analog Switch in SC70

MAX4714

## ELECTRICAL CHARACTERISTICS—Single +3V Supply (continued)

(V+ = +2.7V to +3.6V, V<sub>IH</sub> = +1.4V, V<sub>IL</sub> = +0.5V, T<sub>A</sub> = T<sub>MIN</sub> to T<sub>MAX</sub>, unless otherwise noted. Typical values are at V+ = +3.0V and T<sub>A</sub> = +25°C.) (Notes 2, 3)

PARAMETER	SYMBOL	CONDITIONS	T <sub>A</sub>	MIN	TYP	MAX	UNITS
NC or NO Off-Capacitance	C <sub>NO(OFF)</sub> , C <sub>NC(OFF)</sub>	f = 1MHz, Figure 5	+25°C		30		pF
COM On-Capacitance	C <sub>COM(ON)</sub>	f = 1MHz, Figure 5	+25°C		65		pF
<b>LOGIC INPUT</b>							
Input Voltage Low	V <sub>IL</sub>					0.5	V
Input Voltage High	V <sub>IH</sub>			1.4			V
Input Leakage Current	I <sub>IN</sub>	V <sub>IN</sub> = 0V or V+		-1		+1	μA
<b>SUPPLY</b>							
Power-Supply Range	V+			1.6		3.6	V
Positive Supply Current	I+	V+ = +3.6V, V <sub>IN</sub> = 0V or V+	+25°C		0.04	0.2	μA
			T <sub>MIN</sub> to T <sub>MAX</sub>			2	

## ELECTRICAL CHARACTERISTICS—Single +1.8V Supply

(V+ = +1.8V, V<sub>IH</sub> = +1V, V<sub>IL</sub> = +0.4V, T<sub>A</sub> = T<sub>MIN</sub> to T<sub>MAX</sub>, unless otherwise noted. Typical values are at T<sub>A</sub> = +25°C.) (Notes 2, 3)

PARAMETER	SYMBOL	CONDITIONS	T <sub>A</sub>	MIN	TYP	MAX	UNITS
<b>ANALOG SWITCH</b>							
Analog Signal Range	V <sub>COM</sub> , V <sub>NO</sub> , V <sub>NC</sub>			0		V+	V
On-Resistance	R <sub>ON</sub>	I <sub>COM</sub> = 10mA, V <sub>NO</sub> or V <sub>NC</sub> = +0.9V	+25°C		1.2	2.5	Ω
			T <sub>MIN</sub> to T <sub>MAX</sub>			5	
NO or NC Off-Leakage Current	I <sub>NO(OFF)</sub> , I <sub>NC(OFF)</sub>	V <sub>COM</sub> = 0.3V, 1.5V, V <sub>NO</sub> or V <sub>NC</sub> = 1.5V, 0.3V	+25°C	-1	0.01	+1	nA
			T <sub>MIN</sub> to T <sub>MAX</sub>		-5		
COM On-Leakage Current	I <sub>COM(ON)</sub>	V <sub>COM</sub> = 0.3V, 1.5V, V <sub>NO</sub> or V <sub>NC</sub> = 0.3V, 1.5V or floating	+25°C	-2		+2	nA
			T <sub>MIN</sub> to T <sub>MAX</sub>		-10		
<b>DYNAMIC</b>							
Turn-On Time	t <sub>ON</sub>	V <sub>NO</sub> or V <sub>NC</sub> = 1.5V, R <sub>L</sub> = 50Ω, C <sub>L</sub> = 35pF, Figure 1	+25°C		18	25	ns
			T <sub>MIN</sub> to T <sub>MAX</sub>			30	
Turn-Off Time	t <sub>OFF</sub>	V <sub>NO</sub> or V <sub>NC</sub> = 1.5V, R <sub>L</sub> = 50Ω, C <sub>L</sub> = 35pF, Figure 1	+25°C		9	15	ns
			T <sub>MIN</sub> to T <sub>MAX</sub>			18	
Break-Before-Make Delay (Note 7)	t <sub>BBM</sub>	V <sub>NO</sub> or V <sub>NC</sub> = 1.5V, R <sub>L</sub> = 50Ω, C <sub>L</sub> = 35pF, Figure 2	+25°C		2		ns
			T <sub>MIN</sub> to T <sub>MAX</sub>		2		
Charge Injection	Q	V <sub>GEN</sub> = 0V, R <sub>GEN</sub> = 0, C <sub>L</sub> = 1nF, Figure 3	+25°C		12		pC

# 0.8Ω, Low-Voltage, Single-Supply SPDT Analog Switch in SC70

## ELECTRICAL CHARACTERISTICS—Single +1.8V Supply (continued)

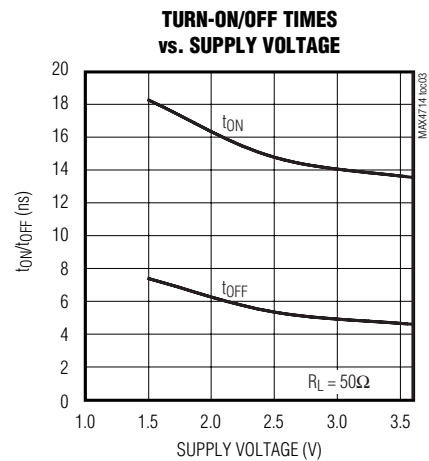
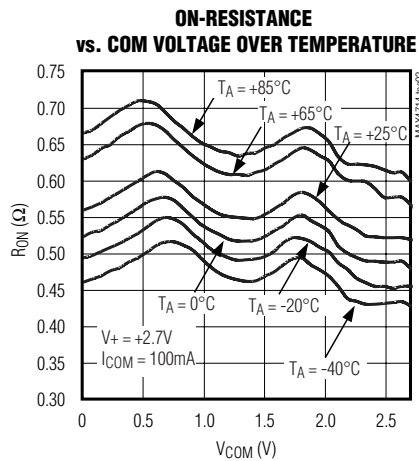
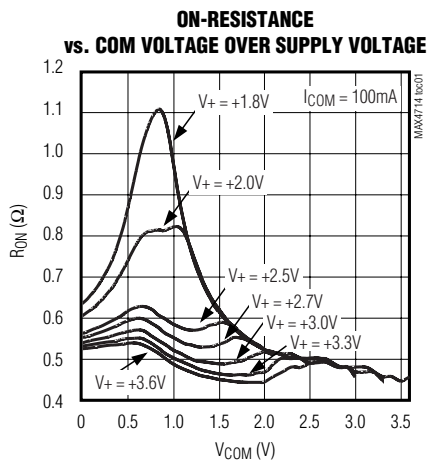
( $V_+ = +1.8V$ ,  $V_{IH} = +1V$ ,  $V_{IL} = +0.4V$ ,  $T_A = T_{MIN}$  to  $T_{MAX}$ , unless otherwise noted. Typical values are at  $T_A = +25^\circ C$ .) (Notes 2, 3)

PARAMETER	SYMBOL	CONDITIONS	$T_A$	MIN	TYP	MAX	UNITS
<b>LOGIC INPUT</b>							
Input Voltage Low	$V_{IL}$					0.4	V
Input Voltage High	$V_{IH}$			1			V
Input Leakage Current	$I_{IN}$	$V_{IN} = 0V$ or $V_+$				1	$\mu A$
<b>SUPPLY</b>							
Positive Supply Current	$I_+$	$V_{IN} = 0V$ or $V_+$	+25°C		0.04	0.2	$\mu A$
			$T_{MIN}$ to $T_{MAX}$			2	

- Note 2:** The algebraic convention, where the most negative value is a minimum and the most positive value is a maximum, is used in this data sheet.
- Note 3:** Parts are 100% tested at +25°C. Limits across the full temperature range are guaranteed by design and correlation.
- Note 4:** Guaranteed by design for  $\mu DFN$  package.
- Note 5:**  $\Delta R_{ON} = R_{ON(MAX)} - R_{ON(MIN)}$ .
- Note 6:** Flatness is defined as the difference between the maximum and minimum values of on-resistance as measured over the specified analog signal range.
- Note 7:** Guaranteed by design.
- Note 8:** Off-Isolation =  $20 \log_{10} [V_{COM} / (V_{NC} \text{ or } V_{NO})]$ ,  $V_{COM}$  = output,  $V_{NC}$  or  $V_{NO}$  = input to off switch.
- Note 9:** Between the two switches.

## Typical Operating Characteristics

( $T_A = +25^\circ C$ , unless otherwise noted.)

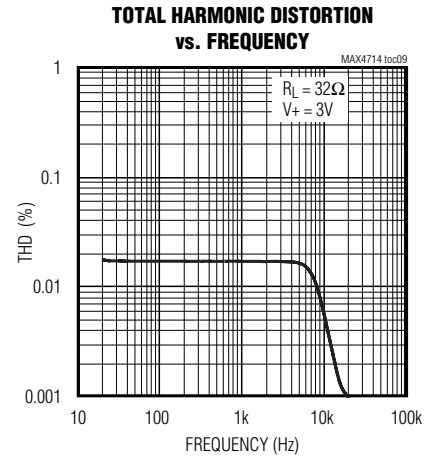
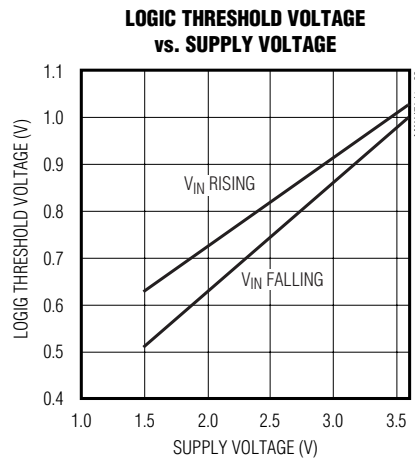
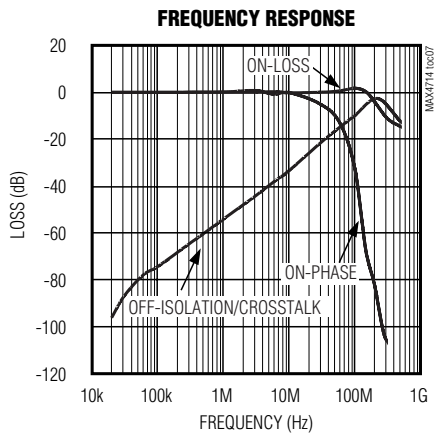
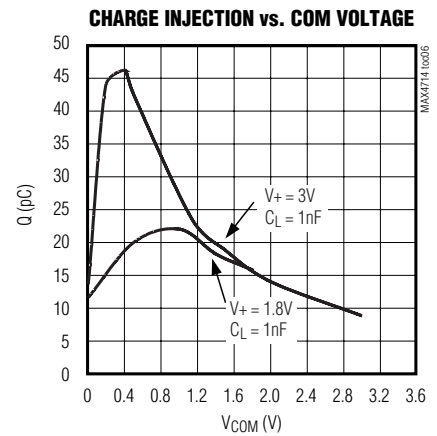
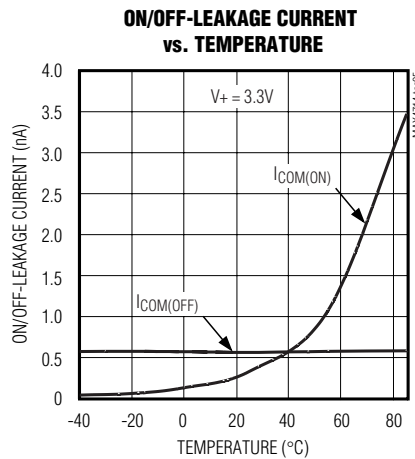
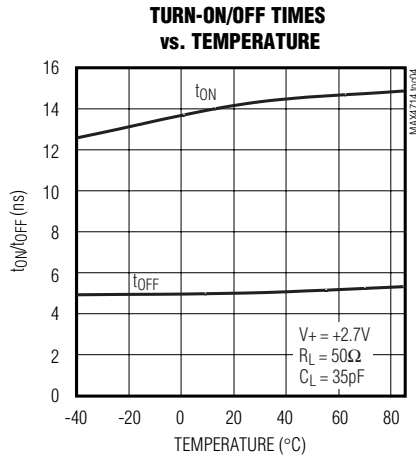


# 0.8Ω, Low-Voltage, Single-Supply SPDT Analog Switch in SC70

MAX4714

## Typical Operating Characteristics (continued)

( $T_A = +25^\circ\text{C}$ , unless otherwise noted.)



## Pin Description

PIN	NAME	FUNCTION
1	IN	Digital Control Input
2	V+	Positive Supply Voltage Input
3	GND	Ground
4	NC	Analog Switch—Normally Closed
5	COM	Analog Switch—Common
6	NO	Analog Switch—Normally Open

# 0.8Ω, Low-Voltage, Single-Supply SPDT Analog Switch in SC70

## Detailed Description

The MAX4714 is a low-on-resistance ( $R_{ON}$ ), low-voltage, single-pole/double-throw (SPDT) analog switch that operates from a +1.6V to +3.6V supply. The MAX4714 has break-before-make switching. This device also has fast switching speeds ( $t_{ON} = 18\text{ns}$ , max,  $t_{OFF} = 12\text{ns}$ , max).

When powered from a +3V supply, the 0.8Ω (max)  $R_{ON}$  allows high continuous currents to be switched in a variety of applications.

## Applications Information

### Logic Inputs

The MAX4714 logic input can be driven up to +3.6V regardless of the supply voltage. For example, with a

+3.3V supply, IN may be driven low to GND and high to +3.6V. Driving IN rail-to-rail minimizes power consumption.

### Analog Signal Levels

Analog signals that range over the entire supply voltage ( $V+$  to GND) can be passed with very little change in on-resistance (see *Typical Operating Characteristics*). The switches are bidirectional, so the NO, NC, and COM pins can be used as either inputs or outputs.

## Chip Information

TRANSISTOR COUNT: 135

PROCESS: CMOS

## Test Circuits/Timing Diagrams

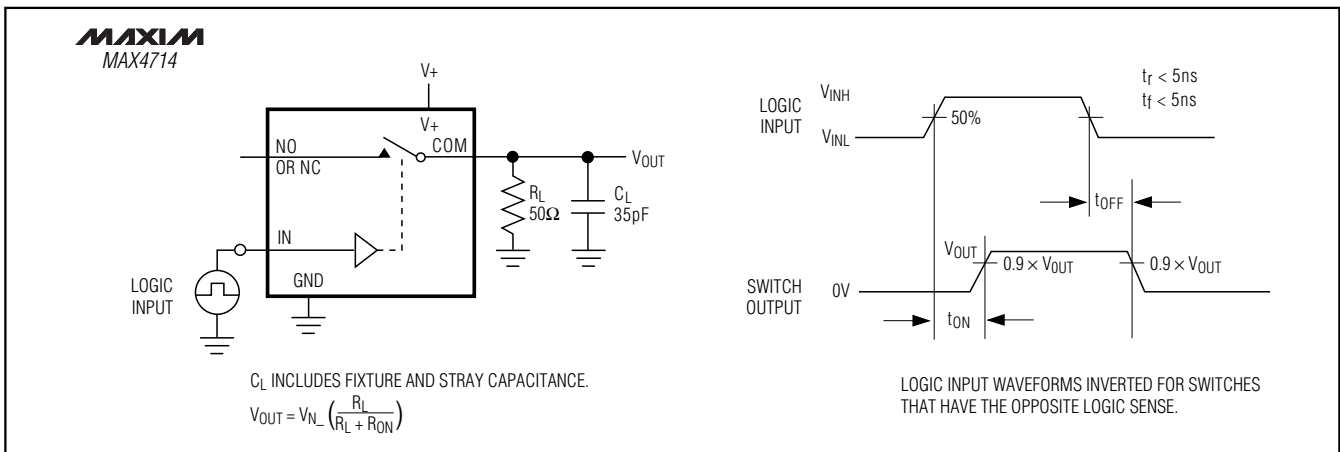


Figure 1. Switching Time

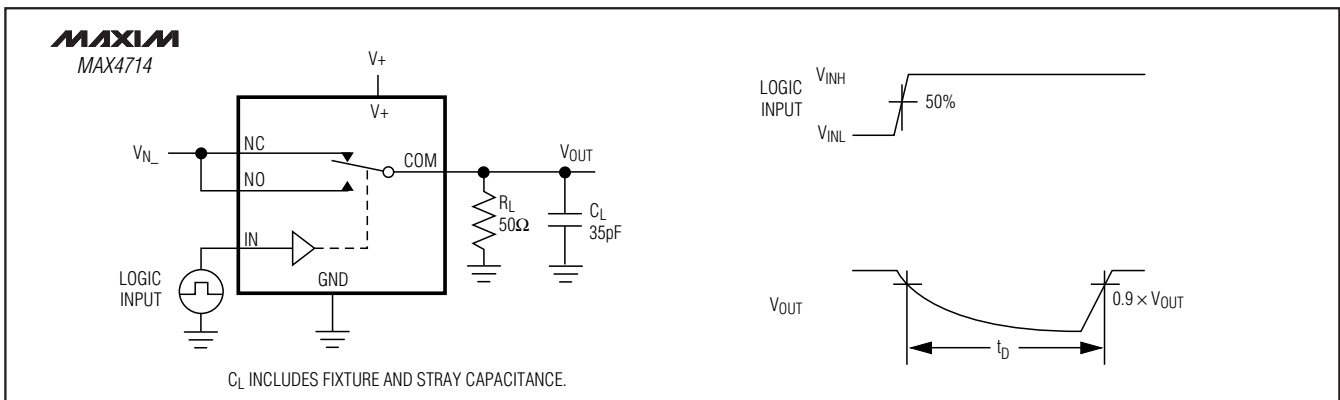


Figure 2. Break-Before-Make Interval

# 0.8Ω, Low-Voltage, Single-Supply SPDT Analog Switch in SC70

## Test Circuits/Timing Diagrams (continued)

MAX4714

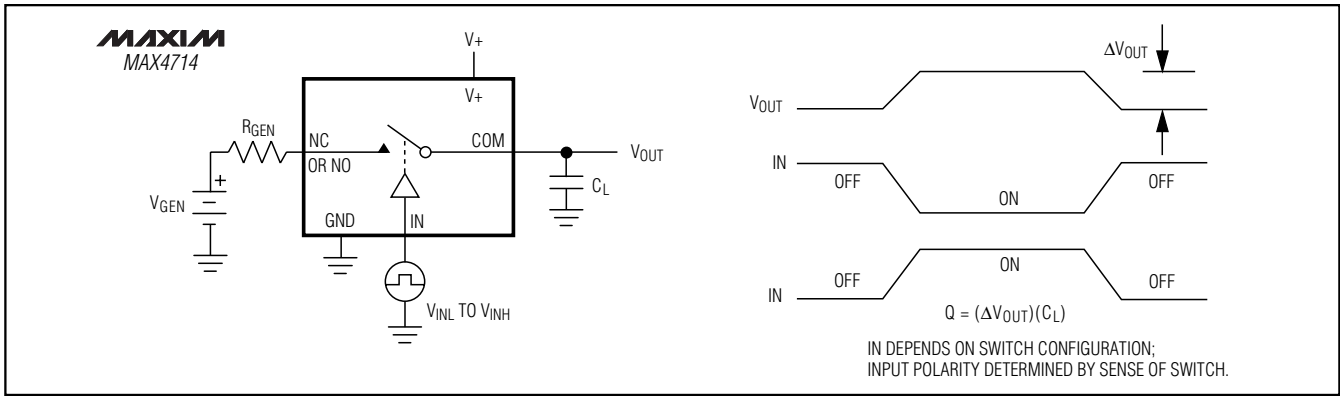


Figure 3. Charge Injection

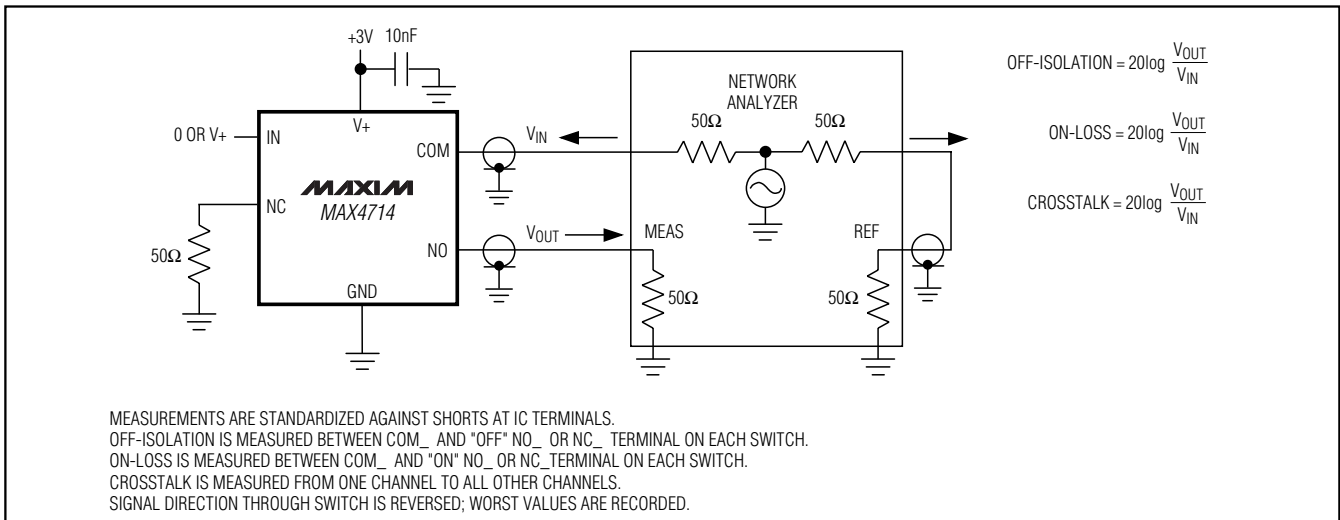


Figure 4. On-Loss, Off-Isolation, and Crosstalk

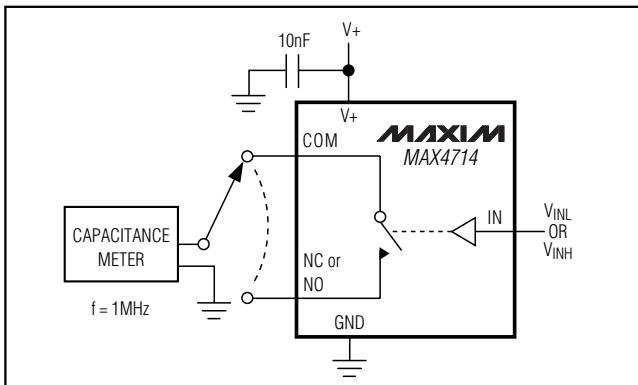
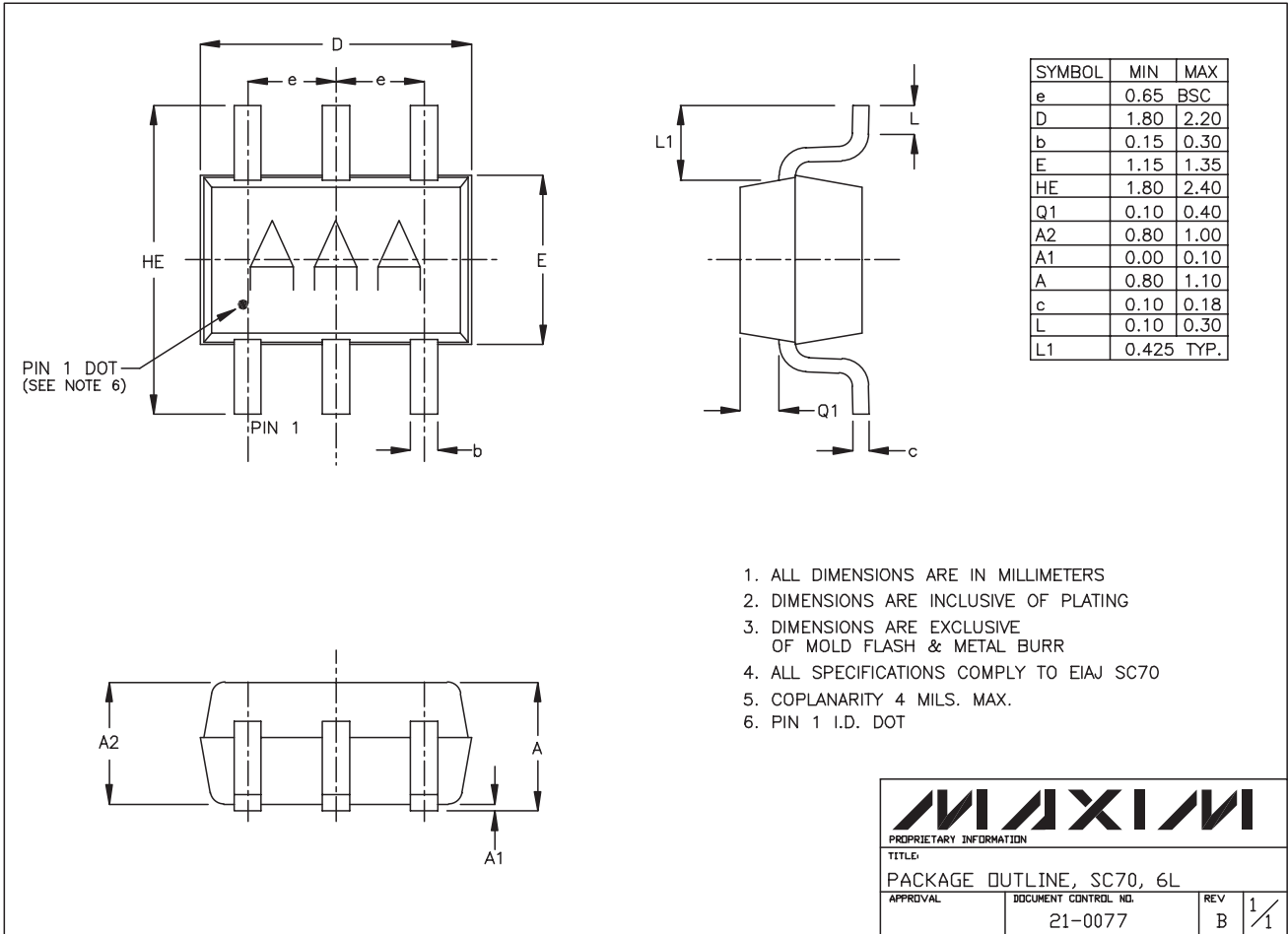


Figure 5. Channel Off/On-Capacitance

# 0.8Ω, Low-Voltage, Single-Supply SPDT Analog Switch in SC70

## Package Information

(The package drawing(s) in this data sheet may not reflect the most current specifications. For the latest package outline information go to [www.maxim-ic.com/packages](http://www.maxim-ic.com/packages).)



1. ALL DIMENSIONS ARE IN MILLIMETERS
2. DIMENSIONS ARE INCLUSIVE OF PLATING
3. DIMENSIONS ARE EXCLUSIVE OF MOLD FLASH & METAL BURR
4. ALL SPECIFICATIONS COMPLY TO EIAJ SC70
5. COPLANARITY 4 MILS. MAX.
6. PIN 1 I.D. DOT

**MAXIM**  
 PROPRIETARY INFORMATION  
 TITLE:  
 PACKAGE OUTLINE, SC70, 6L  
 APPROVAL: \_\_\_\_\_ DOCUMENT CONTROL NO. 21-0077 REV B 1/1

SC70 6L FFS

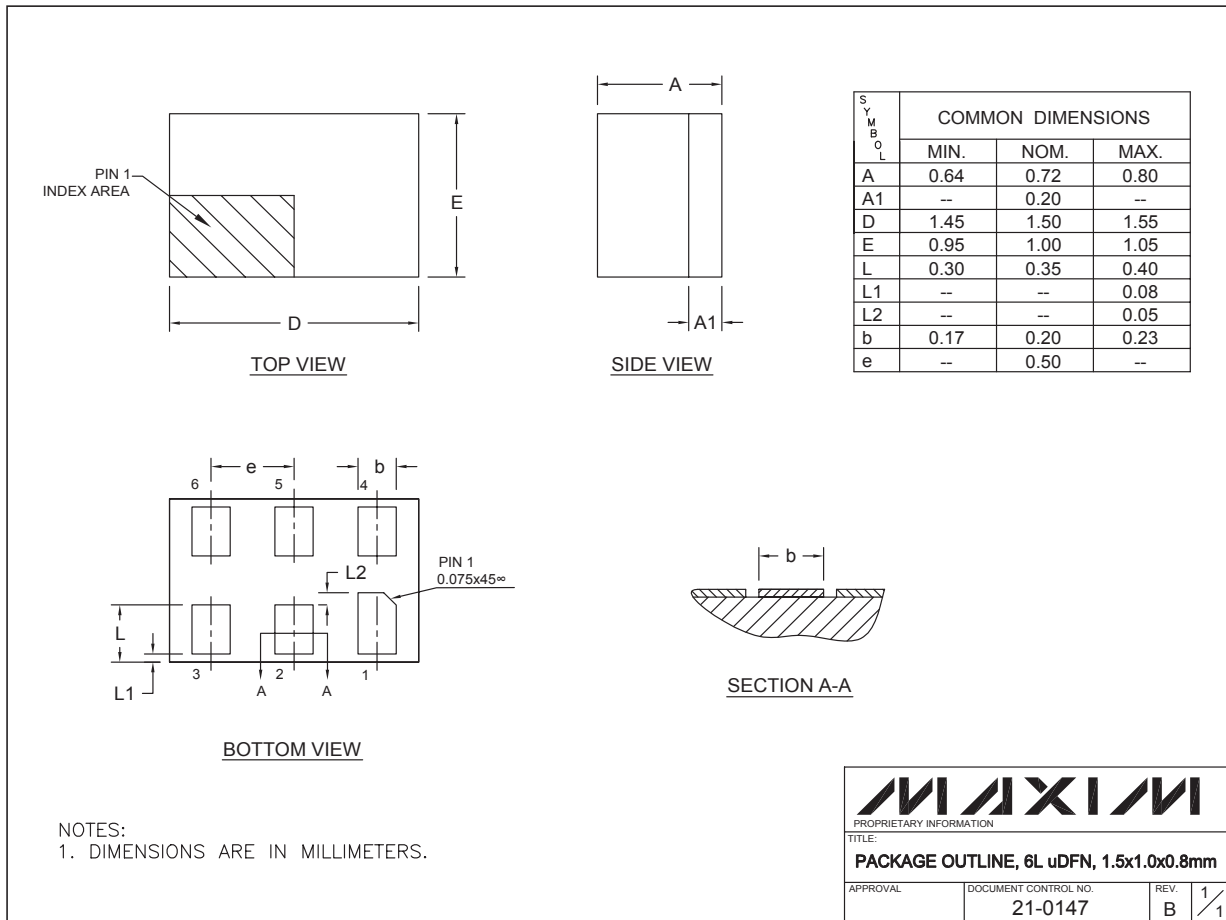


# 0.8Ω, Low-Voltage, Single-Supply SPDT Analog Switch in SC70

## Package Information (continued)

(The package drawing(s) in this data sheet may not reflect the most current specifications. For the latest package outline information go to [www.maxim-ic.com/packages](http://www.maxim-ic.com/packages).)

MAX4714



Maxim cannot assume responsibility for use of any circuitry other than circuitry entirely embodied in a Maxim product. No circuit patent licenses are implied. Maxim reserves the right to change the circuitry and specifications without notice at any time.

Maxim Integrated Products, 120 San Gabriel Drive, Sunnyvale, CA 94086 408-737-7600 9