

FEATURES

- Compact Size: (L)100*(W)58*(H)28mm
- Efficiency Over 82%
- Over-Voltage Protective Installation
- Short-circuit Protective Installation
- Protection Type: Auto-Recover
- Standard Car Plug



SPECIFICATION

Item	Model	ED1060-16~24
Output Voltage		+16V~24V
Output Current		3.5A Max or 60W Max
Input Voltage		DC 11~15.5V
Input Current		6.5A Maximum
Line Regulation		2% Maximum
Load Regulation		± 5%
Ripple & Noise		1.5% Typical
Efficiency		85% Typical
Temperature Coefficient		0.05%/°C
Over-Voltage Protection		22V~32V Maximum
Operating Temperature		0~40°C
Storage Temperature		-20~85°C
Safety Description		CE

(*) : Under Development (I/P) : In Process

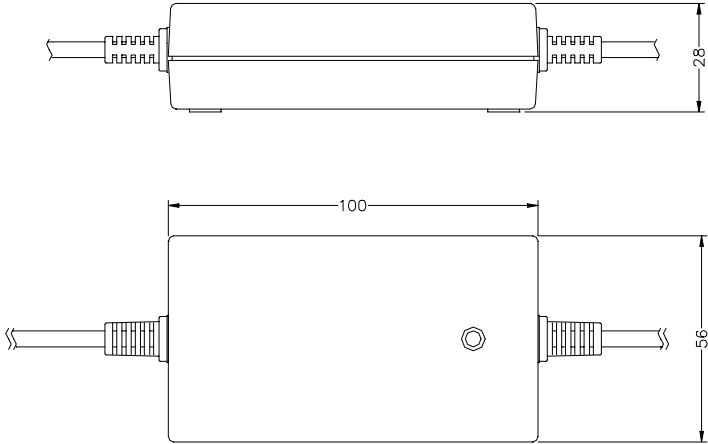
ORDERING INFORMATION

ED1060 - 12 - 1 A

Output Plug List

Output Voltage

MECHANICAL



Unit: m.m.

