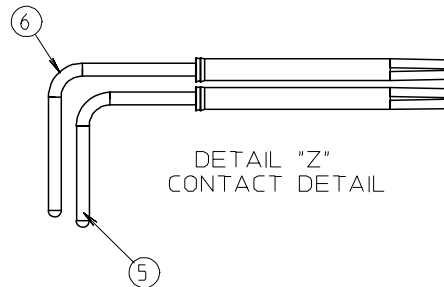
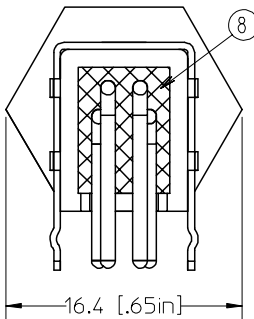
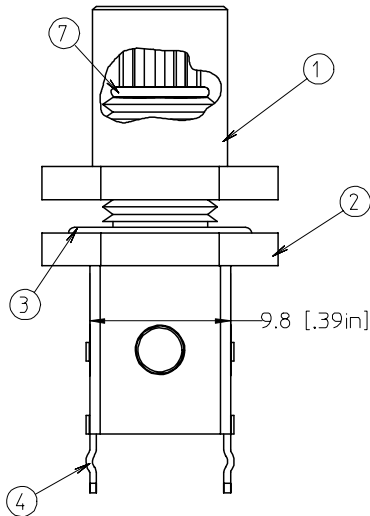


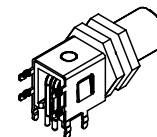
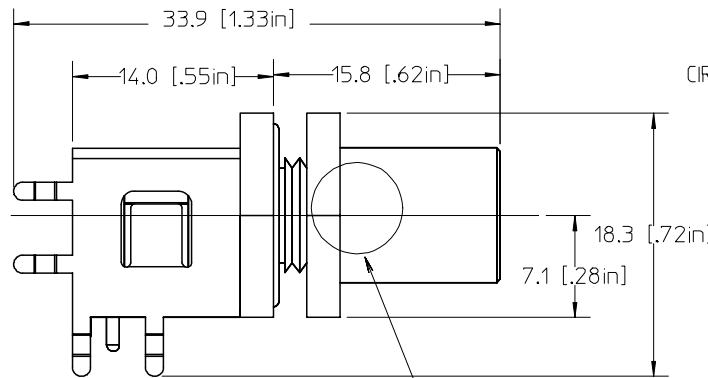
PTH PATTERN

NOTES:

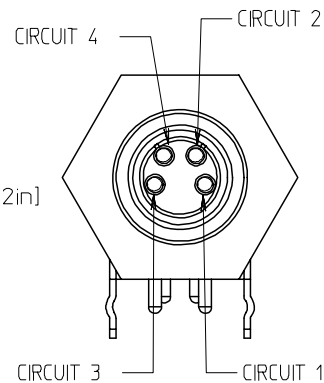
- 1. MATERIAL: SEE TABLE
- 2. FINISH: SEE TABLE
- 3. PRODUCT SPECIFICATIONS: NOT REQUIRED
- 4. PACKAGING: NOT REQUIRED
- 5. MATES WITH 84592



DETAIL "Z"
CONTACT DETAIL



RIGHT ANGLE
SCALE 1:1



8	A/R	POTTING COMPOUND	EPOXY	BLACK
7	1	O-RING, INTERNAL	BUNA-N	BLACK
6	2	CONTACT, SOCKET	BRASS	GOLD
5	2	CONTACT, SOCKET	BRASS	GOLD
4	1	SUPPORT BRACKET	BRASS	TIN
3	1	O-RING, EXTERNAL	BUNA-N	BLACK
2	1	RECEPTACLE	NYLON	BLACK
1	1	LOCK NUT BODY, M8 INTERNAL	NYLON	BLACK
ITEM	QTY.	DESCRIPTION	MATERIAL	FINISH

EC NO: DRWN: APLAZA 2005/03/23 CHKD: R KEMP 2005/04/21 APPR: GROBERT 2005/10/20	QUALITY SYMBOLS	GENERAL TOLERANCES (UNLESS SPECIFIED)	SCALE 3:1	DESIGN UNITS INCH	THIRD ANGLE PROJECTION	REVISE ON CAD ONLY
	▽ -0 ▽ -0	4 PLACES ± --- ±.0015 3 PLACES ± 0.038 ±.005 2 PLACES ± 0.13 ±.01 1 PLACE ± 0.3 ± ---	DIMENSION STYLE MM/IN		TITLE	
		ANGULAR ± 2 °	DRAWN BY AMP DATE 1/12/04		NANO-C PWB MOUNT FEMALE, 4/C RIGHT ANGLE	
	REV	DESCRIPTION	DRAFT WHERE APPLICABLE MUST REMAIN WITHIN DIMENSIONS	CHECKED BY R KEMP DATE 1/15/04	APPROVED BY P WALTZ DATE 1/15/04	MOLEX INCORPORATED MATERIAL NO. 84589-0006 DOCUMENT NO. SD-84589-006 SHEET NO. 1 OF 1