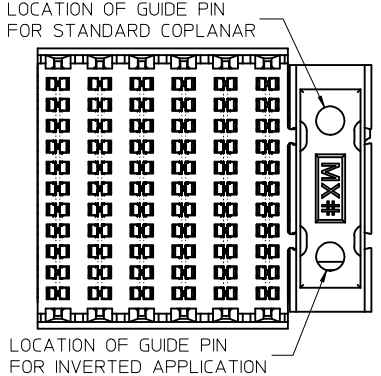
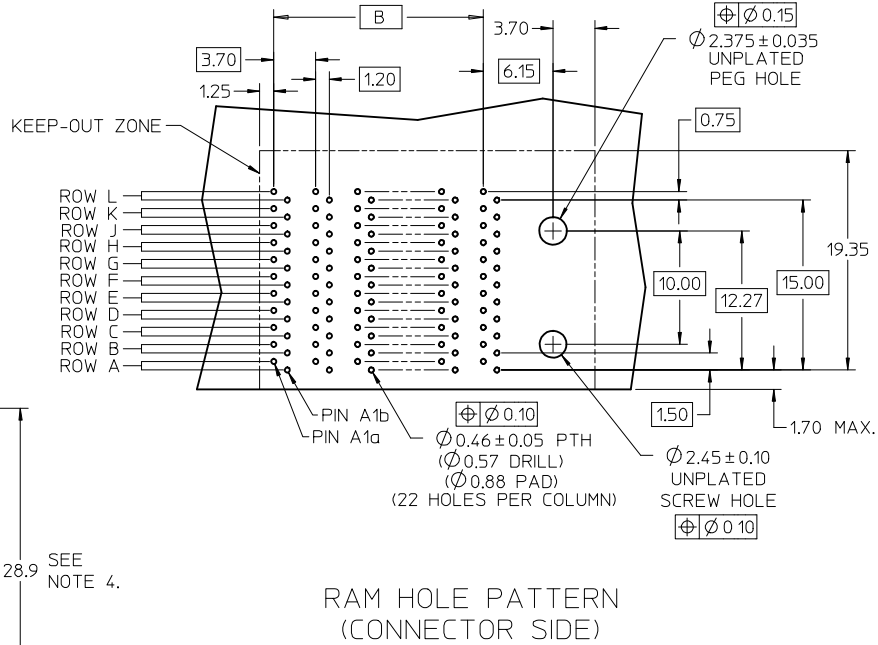
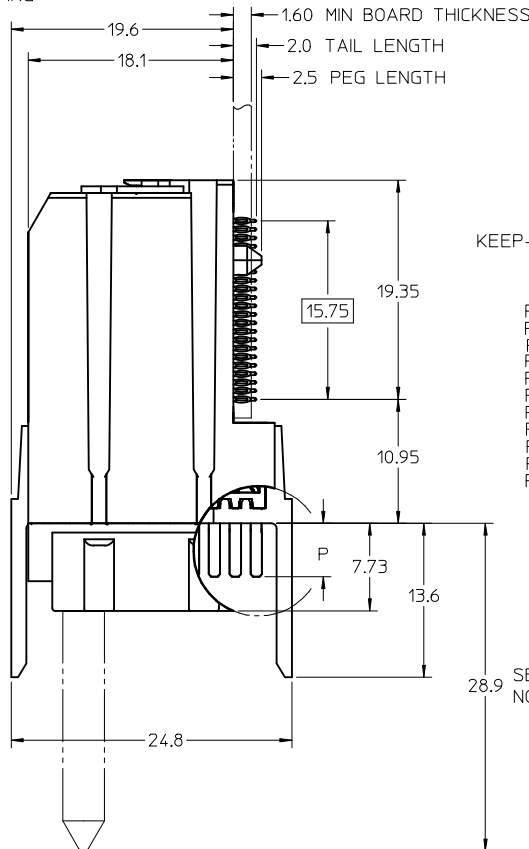
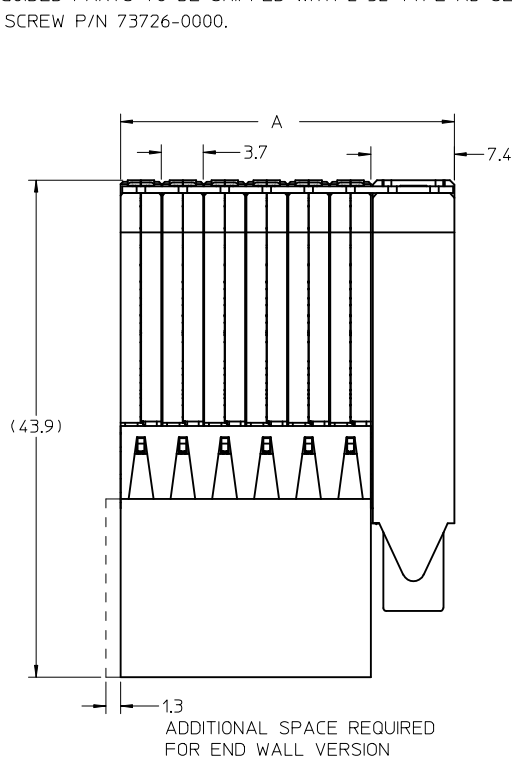


NOTES:

1. MATERIALS: HOUSING - LIQUID CRYSTAL POLYMER (LCP), BLACK, UL94V-0
TERMINALS - HIGH PERFORMANCE COPPER ALLOY
2. FINISH: SELECTIVE 30 μ" GOLD IN CONTACT AREA WITH LUBE.
SELECTIVE TIN/LEAD OR SELECTIVE TIN
ON PCB TAILS. NICKEL UNDERPLATE OVERALL.
3. MOLEX PRODUCT SPECIFICATION: PS-75710-999.
4. OPTIONAL GUIDE PIN SHOWN IN COPLANAR LOCATION.
5. PACKAGED PER PK-70873-585.
6. THIS PART CONFORMS TO CLASS B REQUIREMENTS OF MOLEX COSMETIC SPEC PS-45499-002.
7. GUIDED PARTS TO BE SHIPPED WITH 2-32 TYPE AB SELF-TAPPING SCREW P/N 73726-0000.

MATERIAL NUMBER	# OF COLUMNS	DIM "A" MAX	DIM "B"
75910-*5**	5	25.9	14.80
75910-*6**	6	29.6	18.50
75910-*1**	10	44.4	33.30



ADD NOTE #7 EC NO: UCP2009-1389 DRWING: STEWART 2008/12/03 CHKD: JB INGHAM 2008/12/04 APPR: JB INGHAM 2008/12/04	QUALITY SYMBOLS ▽=0 ▽=0	GENERAL TOLERANCES (UNLESS SPECIFIED)		DIMENSION STYLE MM ONLY		SCALE 3:1	DESIGN UNITS METRIC	THIRD ANGLE PROJECTION			
		4 PLACES ± --- ± ---	3 PLACES ± --- ± ---	2 PLACES ± 0.13 ± ---	1 PLACE ± 0.25 ± ---	DRAWN BY ELO	DATE 2006/06/19	TITLE I-TRAC 11 ROW RAM ASS'Y DIFFERENTIAL LONG NOSE GUIDE RIGHT			
		ANGULAR ±1/2°				CHECKED BY ELO	DATE 2006/11/09	APPROVED BY BIXLER			
		DRAFT WHERE APPLICABLE MUST REMAIN WITHIN DIMENSIONS				MATERIAL NO. SEE CHART	DATE 2006/11/10	MOLEX INCORPORATED		DOCUMENT NO. SD-75910-003	

75910-****

MODULE TYPE - TAIL PLATING TYPE

GUIDE RIGHT - TIN/LEAD = 4

GUIDE RIGHT - TIN ONLY = 5

GUIDE RIGHT, END WALL - TIN/LEAD = 8

GUIDE RIGHT, END WALL - TIN ONLY = 9

PIN LENGTH (P)

3 = 4.70

5 = 3.80, 4.70 STAGGERED

OF COLUMNS

5 = 5 COL

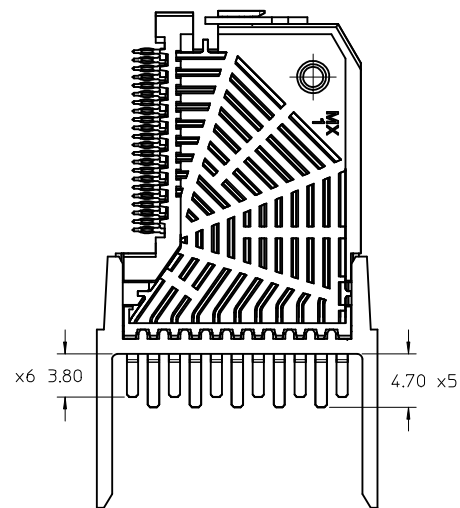
6 = 6 COL

1 = 10 COL

ORIENTATION OF GUIDE POST

2 = COPLANAR

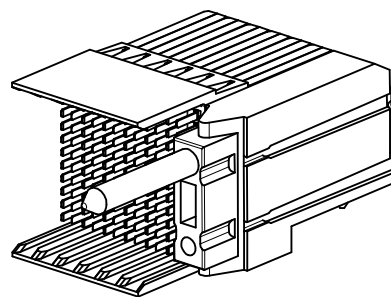
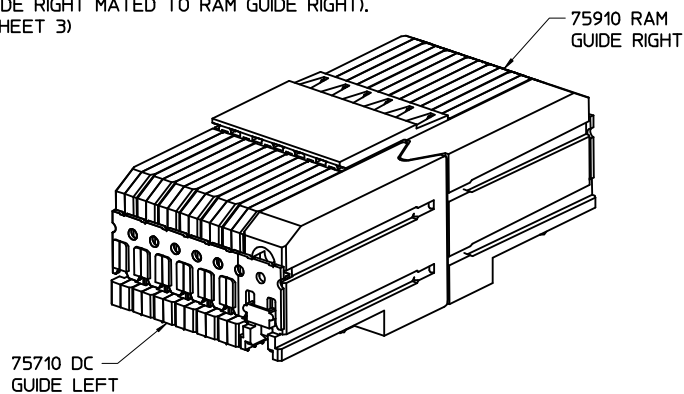
3 = INVERTED



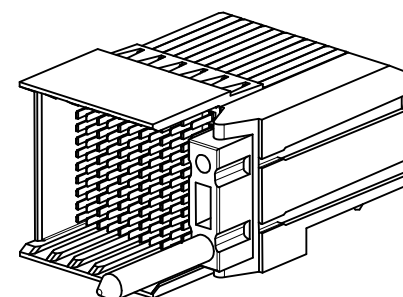
STAGGERED PIN OPTION (75910-***5)

NOTE:

WHEN MATING RIGHT ANGLE MALE (RAM) TO A DAUGHTERCARD IN A COPLANAR APPLICATION, THE GUIDE CONFIGURATION IS OPPOSING (DC GUIDE LEFT MATED TO RAM GUIDE RIGHT). WHEN INVERTED, THE RAM AND DAUGHTERCARD HAVE THE SAME GUIDE CONFIGURATION (DC GUIDE RIGHT MATED TO RAM GUIDE RIGHT). (SEE SHEET 3)



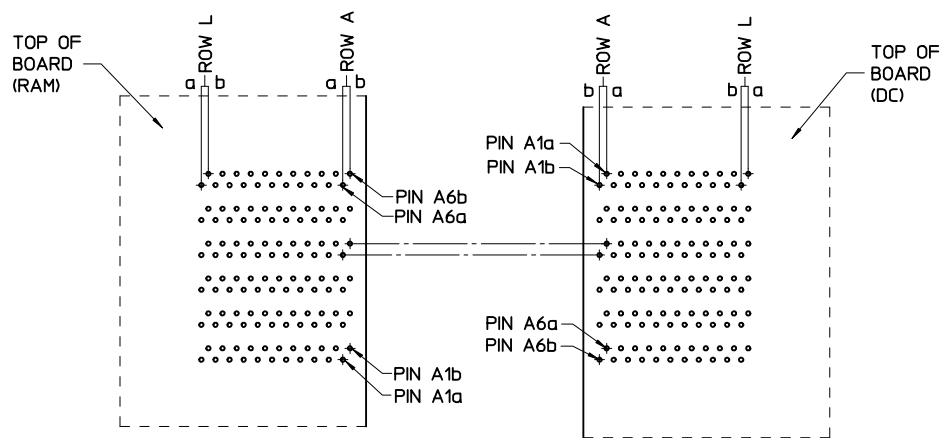
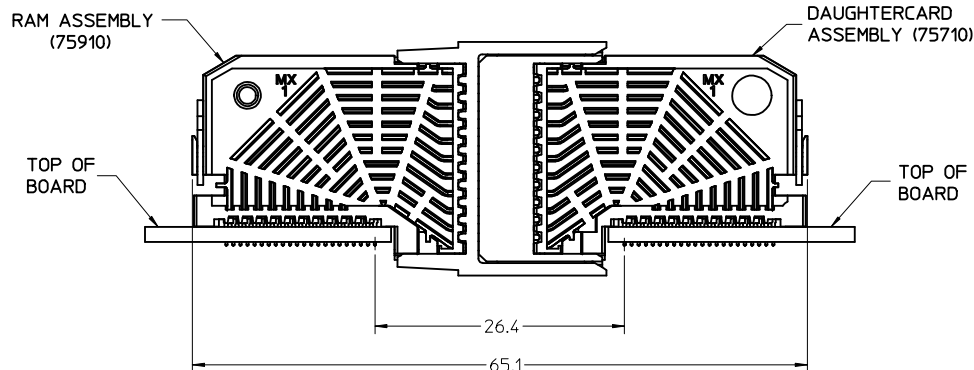
75910-4*2* or 75910-5*2* GUIDE RIGHT, COPLANAR



75910-8*3* or 75910-9*3* GUIDE RIGHT, END WALL, INVERTED

SEE SHEET ONE EC NO: UCP2009-1389 DRAWN: STEWART 2008/12/03 CHKD: JB INGHAM 2008/12/04 APPR: JB INGHAM 2008/12/04	QUALITY SYMBOLS	GENERAL TOLERANCES (UNLESS SPECIFIED)		DIMENSION STYLE	SCALE	DESIGN UNITS	THIRD ANGLE PROJECTION
	▽=0	mm	INCH	MM ONLY	2:1	METRIC	
	▽=0	4 PLACES ± .005 ± .005	3 PLACES ± .005 ± .005	DRAWN BY DATE	TITLE		
		2 PLACES ± 0.13 ± .005	1 PLACE ± 0.25 ± .005	ELO 2006/06/19	I-TRAC 11 ROW RAM ASS'Y DIFFERENTIAL LONG NOSE GUIDE RIGHT		
	ANGULAR ± 1/2°	DRAFT WHERE APPLICABLE MUST REMAIN WITHIN DIMENSIONS		CHECKED BY DATE	MOLEX INCORPORATED		
		SEE CHART		ELO 2006/11/09	SD-75910-003		
				APPROVED BY DATE	SHEET NO.		
				BIXLER 2006/11/10	2 OF 3		
				MATERIAL NO.	THIS DRAWING CONTAINS INFORMATION THAT IS PROPRIETARY TO MOLEX INCORPORATED AND SHOULD NOT BE USED WITHOUT WRITTEN PERMISSION		

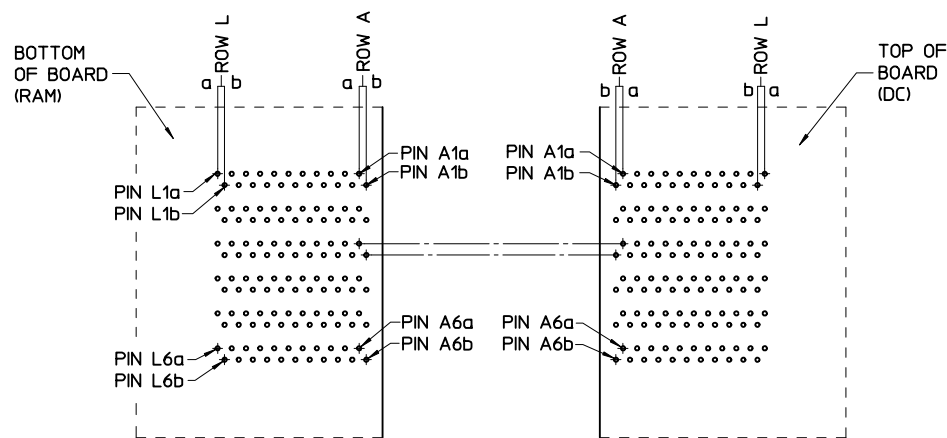
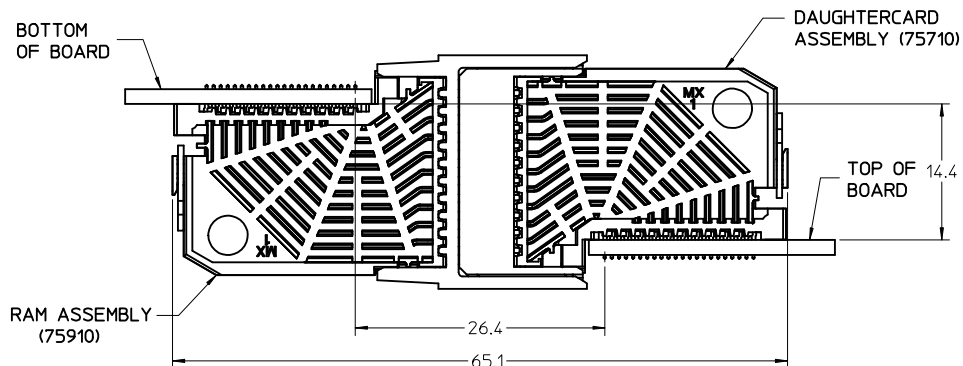
COPLANAR APPLICATION



COPLANAR MATED SIGNAL PATHS

RAM PIN A6b	DC PIN A1a
RAM PIN A6a	DC PIN A1b
.....
RAM PIN A1b	DC PIN A6a
RAM PIN A1a	DC PIN A6b

INVERTED APPLICATION



INVERTED MATED SIGNAL PATHS

RAM PIN L1a	DC PIN A1a
RAM PIN L1b	DC PIN A1b
.....
RAM PIN L6a	DC PIN A6a
RAM PIN L6b	DC PIN A6b

SEE SHEET ONE EC NO: UCP2009-1389 DRWN: STEWART 2008/12/03 CHKD: JB INGHAM 2008/12/04 APPR: JB INGHAM 2008/12/04	QUALITY SYMBOLS ▽=0 ▽=0	GENERAL TOLERANCES (UNLESS SPECIFIED) <table border="1"> <tr> <th></th> <th>mm</th> <th>INCH</th> </tr> <tr> <td>4 PLACES</td> <td>± ---</td> <td>± ---</td> </tr> <tr> <td>3 PLACES</td> <td>± ---</td> <td>± ---</td> </tr> <tr> <td>2 PLACES</td> <td>± 0.13</td> <td>± ---</td> </tr> <tr> <td>1 PLACE</td> <td>± 0.25</td> <td>± ---</td> </tr> <tr> <td colspan="3">ANGULAR ±1/2°</td> </tr> </table>		mm	INCH	4 PLACES	± ---	± ---	3 PLACES	± ---	± ---	2 PLACES	± 0.13	± ---	1 PLACE	± 0.25	± ---	ANGULAR ±1/2°			DIMENSION STYLE MM ONLY DRAWN BY DATE ELO 2006/06/19 CHECKED BY DATE ELO 2006/11/09 APPROVED BY DATE BIXLER 2006/11/10	SCALE 2:1 DESIGN UNITS METRIC THIRD ANGLE PROJECTION	TITLE I-TRAC 11 ROW RAM ASS'Y DIFFERENTIAL LONG NOSE GUIDE RIGHT
		mm	INCH																				
	4 PLACES	± ---	± ---																				
	3 PLACES	± ---	± ---																				
2 PLACES	± 0.13	± ---																					
1 PLACE	± 0.25	± ---																					
ANGULAR ±1/2°																							
DRAFT WHERE APPLICABLE MUST REMAIN WITHIN DIMENSIONS	MATERIAL NO. SEE CHART	DOCUMENT NO. MOLEX INCORPORATED SD-75910-003	SHEET NO. 3 OF 3																				
THIS DRAWING CONTAINS INFORMATION THAT IS PROPRIETARY TO MOLEX INCORPORATED AND SHOULD NOT BE USED WITHOUT WRITTEN PERMISSION																							