



1.80mm (.070") Width Wire-to-Wire TPA Secondary Lock 35150/35182

FEATURES AND SPECIFICATIONS

Features and Benefits

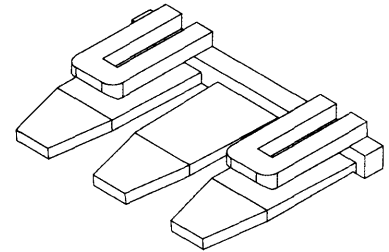
- TPA (Terminal Positioning Assurance) secondary lock ensures that terminals are fully inserted during harness assembly
- Prevents wire pull-out and adds additional stability during mating
- An audible "click" lets the operator know when the TPA lock is inserted

Reference Information

Product Specification: PS-35150
Packaging: Bag
Use With: 35150 and 35151 housings
Designed In: Millimeters

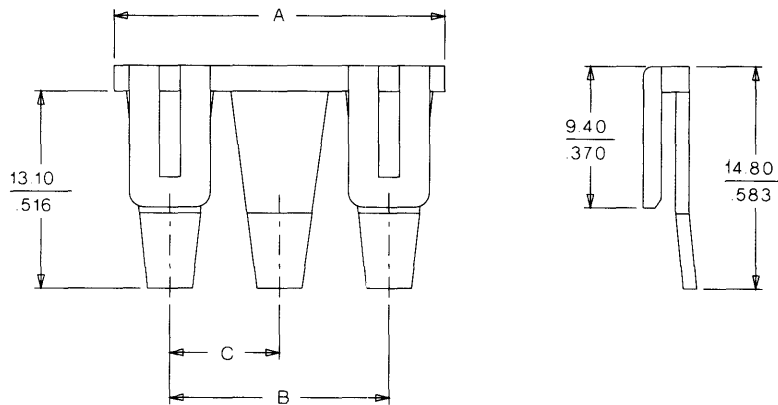
Physical

Housing: 6/6 nylon, UL 94V-2



Power Connectors

CATALOG DRAWING (FOR REFERENCE ONLY)



ORDERING INFORMATION AND DIMENSIONS

Circuits	Order No.	Color	Dimension		
			A	B	C
1	35182-0190	Natural	6.80 (.268)		
	35182-0192	Red			
	35182-0193	Yellow			
	35182-0194	Blue			
2	35150-0290	Natural	11.80 (.465)	6.20 (.244)	6.20 (.244)
	35150-0292	Red			
	35150-0293	Yellow			
	35150-0294	Blue			
3	35150-0390	Natural	22.00 (.866)	14.60 (.575)	7.30 (.287)
	35150-0392	Red			
	35150-0393	Yellow			
	35150-0394	Blue			