

PLEASE CHECK WWW.MOLEX.COM FOR LATEST PART INFORMATION

Part Number: [0472720024](#)
Status: **Active**
Overview: [displayport](#)
Description: 0.50mm (.020") Pitch DisplayPort* Male Receptacle, Right Angle, SMT, 0.76µm (30µ") Gold (Au) Plating, 20 Circuits, with Cover, Latch Holes, Mylar, Peg, Solder Tab of Shell, without Flange, Leadfree

Documents:

[3D Model](#) [RoHS Certificate of Compliance \(PDF\)](#)
[Drawing \(PDF\)](#)

Agency Certification

UL E29179

General

Product Family I/O Connectors
 Series [47272](#)
 Application Wire-to-Board
 Comments Through Hole Peg of Shell
 Component Type Receptacle
 Overview [displayport](#)
 Product Name DisplayPort*
 Type N/A

Physical

Boot Color N/A
 Circuits (Loaded) 20
 Circuits (maximum) 20
 Color - Resin Black
 Flammability 94V-0
 Gender Male
 Keying to Mating Part Yes
 Lock to Mating Part Yes
 Material - Metal Copper Alloy
 Material - Plating Mating Gold
 Material - Plating Termination Tin-Bismuth
 Material - Resin High Temperature Thermoplastic
 Number of Rows 2
 Orientation Right Angle
 PCB Locator Yes
 PCB Retention Yes
 Packaging Type Embossed Tape on Reel
 Panel Mount Without Flange
 Pitch - Mating Interface (in) 0.039 In
 Pitch - Mating Interface (mm) 0.50 mm
 Pitch - Term. Interface (in) 0.039 In
 Pitch - Term. Interface (mm) 0.50 mm
 Plating min: Mating (µin) 30
 Plating min: Mating (µm) 0.76
 Plating min: Termination (µin) 40
 Plating min: Termination (µm) 1
 Polarized to Mating Part Yes
 Polarized to PCB Yes
 Ports 1
 Temperature Range - Operating -20°C to +85°C
 Termination Interface: Style Surface Mount



image - Reference only

Series

EU RoHS

ELV and RoHS Compliant
REACH SVHC
 Not Reviewed
Halogen-Free Status

China RoHS



Need more information on product environmental compliance?

Email productcompliance@molex.com
 For a multiple part number RoHS Certificate of Compliance, [click here](#)

Please visit the [Contact Us](#) section for any non-product compliance questions.

Search Parts in this Series

[47272Series](#)

Mates With

[47271](#) Plug Sub-Assemblies, [68783](#) Cable Series

Waterproof / Dustproof No

Electrical

Current - Maximum per Contact 0.5A
Grounding to Panel Yes
Shielded Yes
Voltage - Maximum 40V AC

Solder Process Data

Duration at Max. Process Temperature (seconds) 3
Lead-free Process Capability Reflow Capable (SMT only)
Max. Cycles at Max. Process Temperature 2
Process Temperature max. C 250

Material Info

Reference - Drawing Numbers

Packaging Specification PK-47272-001
Sales Drawing SD-47272-001

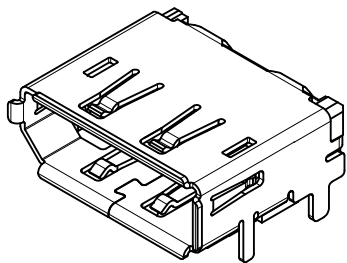
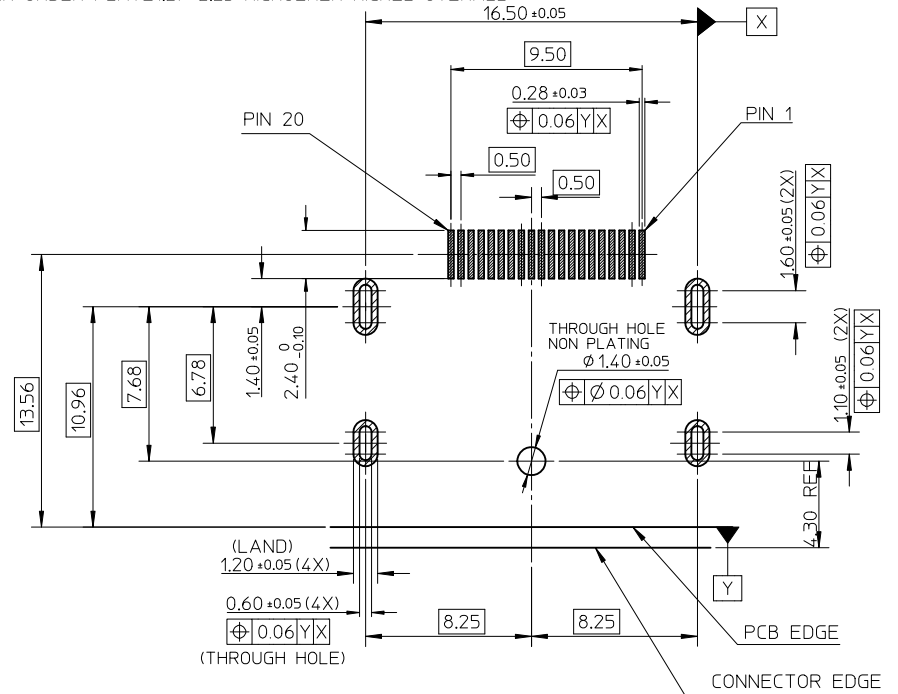
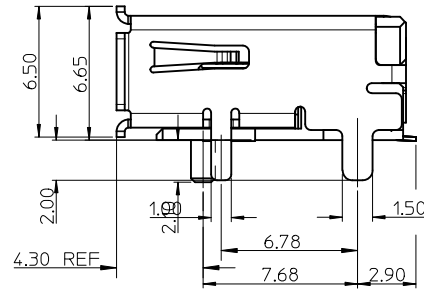
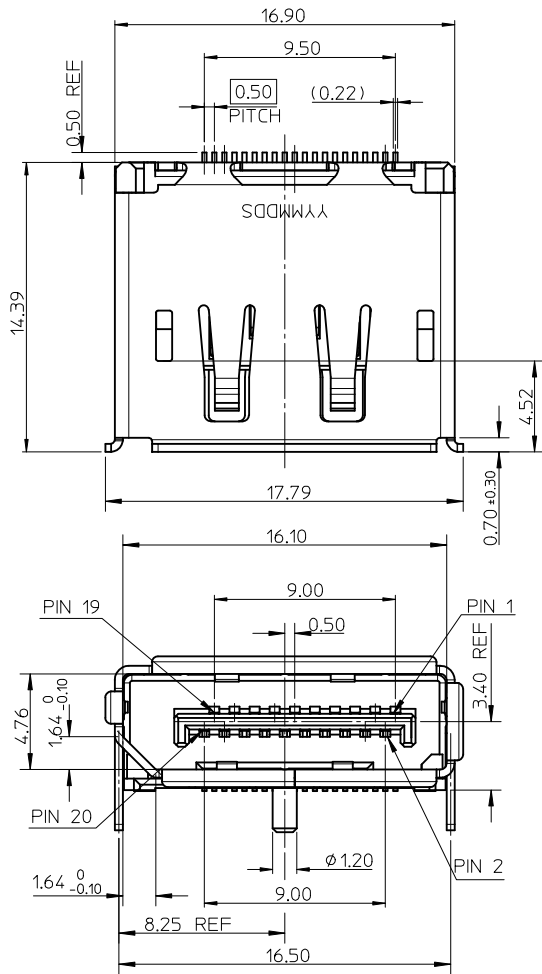
* DisplayPort is a Trademark of VESA

This document was generated on 05/19/2010

PLEASE CHECK WWW.MOLEX.COM FOR LATEST PART INFORMATION

NOTES:

1. MATERIAL:
 HOUSING: HIGH TEMPERATURE THERMAL PLASTIC, BLACK, 30% GLASS FILLED, UL94V-0.
 TERMINAL: COPPER ALLOY.
 SHELL: COPPER ALLOY.
2. PLATING:
 TERMINAL: CONTACT AREA(1)0.76 MICROMETER GOLD PLATING
 (2)0.38 MICROMETER GOLD PLATING
 (3)GOLD FLASH PLATING
 (4)0.64MIN. MICROMETER PALLADIUM/NICKEL AND GOLD FLASH PLATING
 AND SOLDER TAIL 1-3 MICROMETER TIN BISMUTH UNDER PLATE1-3 MICROMETER NICKEL PLATING OVERALL.
 SHELL:(a)1.27-2.54 MICROETER SOLDERABLE NICKEL PLATING OVERALL.
 (b)SHELL PEG SOLDERING SURFACE PLATE GOLD FLASH UNDER PLATE1-3 MICROMETER NICKEL PLATING OVERALL.
 (c) SHELL PLATE 2.1~3.0 MICROMETER TIN UNDER PLATE1.27~2.25 MICROERER NICKEL OVERALL
3. SOLDER TAIL COPLANARITY 0.10 MAX.
4. PS REFER TO PS-47272-001

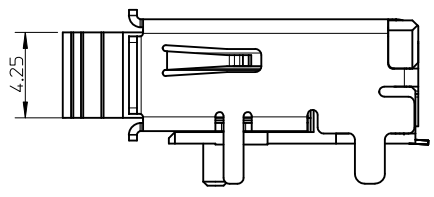
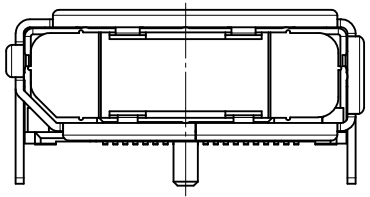
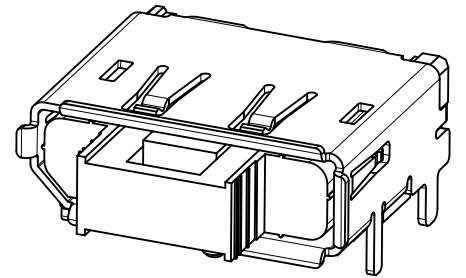
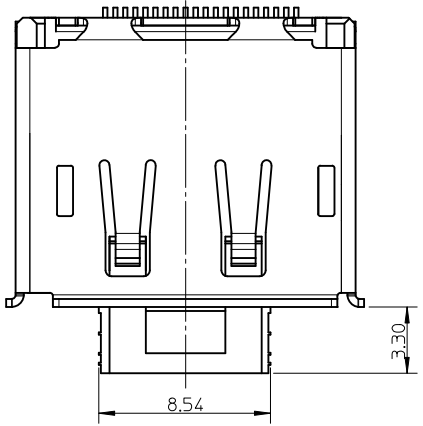


RECOMMENDED PCB LAYOUT (THICKNESS=1.6±0.15)

REVISED EC NO: SH2010-0353 DRWN: HHE CHKD: YANG05 APPR: RZHANG	DESCRIPTION 2010/03/08 2010/03/24 2010/03/29	QUALITY SYMBOLS ▽=0 ▽=0 ▽=0	GENERAL TOLERANCES (UNLESS SPECIFIED)		DIMENSION STYLE MM ONLY		SCALE 1:1	DESIGN UNITS METRIC	THIRD ANGLE PROJECTION	
			mm	INCH	DRAWN BY RZHANG	DATE 2005/07/01	TITLE 1.0MM PITCH DISPLAY PORT RECEPTACLE ASSEMBLY			
			4 PLACES ± ---	± ---	CHECKED BY IWANG	DATE 2005/07/01	MOLEX INCORPORATED			
			3 PLACES ± ---	± ---	APPROVED BY RZHANG	DATE 2010/03/26				
2 PLACES ± 0.25	± ---	ANGULAR ± 3 °		MATERIAL NO. SEE SHEETS 5	DOCUMENT NO. SD-47272-001	SHEET NO. 1 OF 8				
1 PLACE ± 0.25	± ---	DRAFT WHERE APPLICABLE MUST REMAIN WITHIN DIMENSIONS		THIS DRAWING CONTAINS INFORMATION THAT IS PROPRIETARY TO MOLEX INCORPORATED AND SHOULD NOT BE USED WITHOUT WRITTEN PERMISSION						

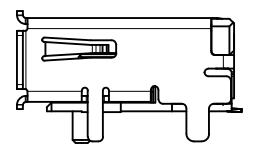
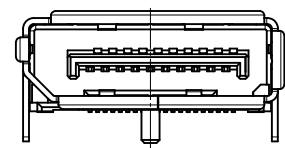
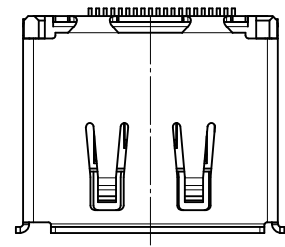
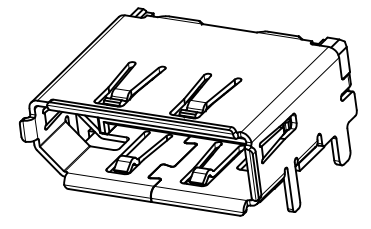
10 9 8 7 6 5 4 3 2 1

WITH COVER



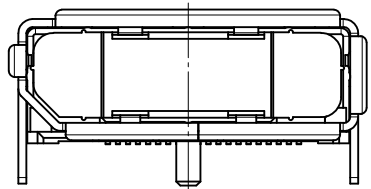
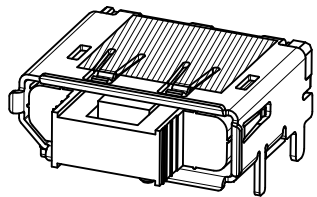
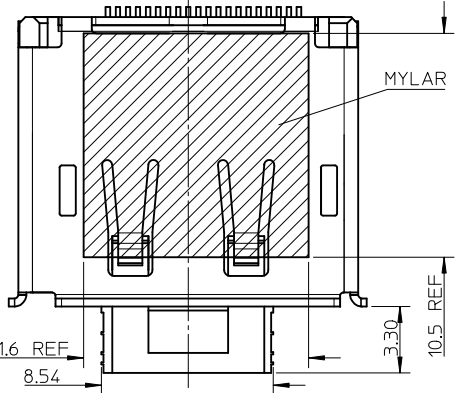
- NOTES:
 1.UNSPECIFIED DIMENSION ARE SAME AS SHEET1
 2.CONNECTOR WITH COVER IS USED FOR WARE SOLDERING PEG

WITHOUT LATCH HOLE



- NOTES:
 1.UNSPECIFIED DIMENSION ARE SAME AS SHEET1

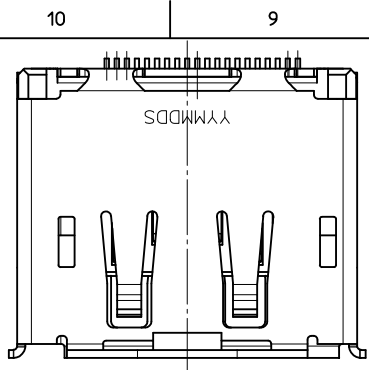
WITH COVER AND MYLAR



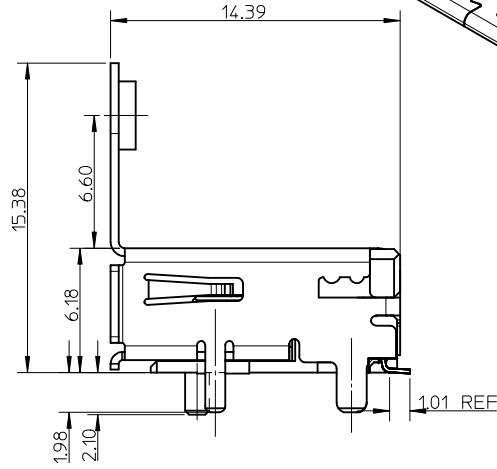
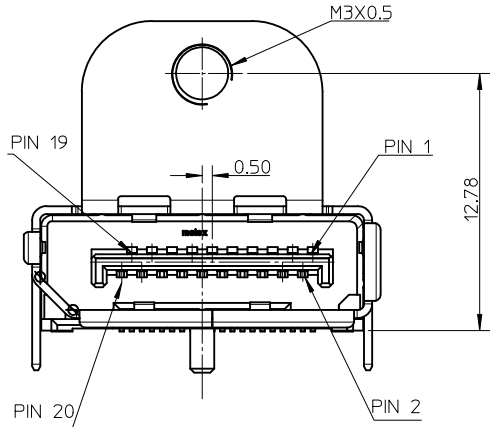
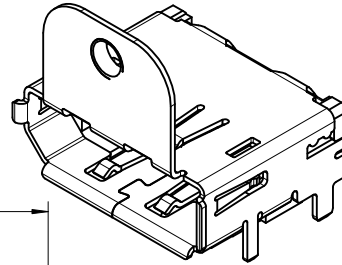
- NOTES:
 1.UNSPECIFIED DIMENSION ARE SAME AS SHEET1
 2.CONNECTOR WITH COVER IS USED FOR WARE SOLDERING PEG

REVISED EC NO: SH2010-0353 DRW:HHH 2010/03/08 CHK:D:YANG05 2010/03/24 APPR:RZHANG 2010/03/29	DESCRIPTION REV	QUALITY SYMBOLS	GENERAL TOLERANCES (UNLESS SPECIFIED)		DIMENSION STYLE	SCALE	DESIGN UNITS	THIRD ANGLE PROJECTION
		$\nabla_F=0$	mm	INCH	MM ONLY	1:1	METRIC	
		$\nabla_F=0$	4 PLACES ± ---	± ---	DRAWN BY	DATE	TITLE	
		$\nabla_F=0$	3 PLACES ± ---	± ---	RZHANG	2005/07/01	1.0MM PITCH DISPLAY PORT RECEPTACLE ASSEMBLY	
		2 PLACES ± 0.25	± ---	CHECKED BY	DATE			
		1 PLACE ± 0.25	± ---	IWANG	2005/07/01			
		ANGULAR ± 3 °		APPROVED BY	DATE	MOLEX INCORPORATED		
		DRAFT WHERE APPLICABLE MUST REMAIN WITHIN DIMENSIONS		RZHANG	2010/03/26	DOCUMENT NO.	SD-47272-001	SHEET NO.
				SEE SHEETS 5				2 OF 8
				THIS DRAWING CONTAINS INFORMATION THAT IS PROPRIETARY TO MOLEX INCORPORATED AND SHOULD NOT BE USED WITHOUT WRITTEN PERMISSION				

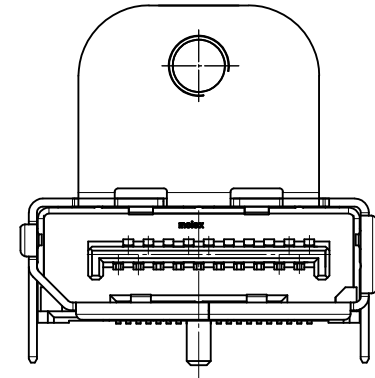
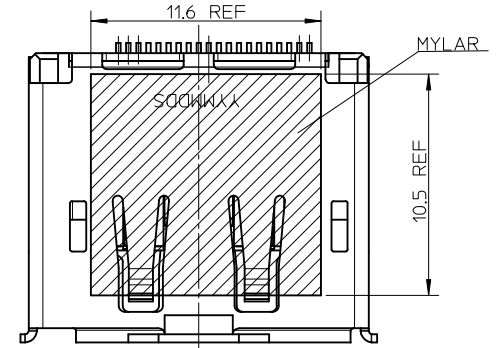
9 8 7 6 5 4 3 2 1



WITH FLANGE AND THROUGH HOLE PEG

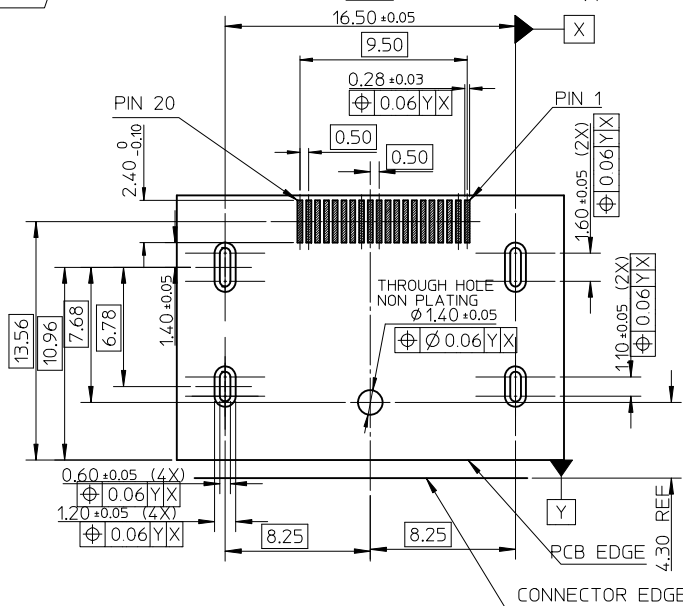


WITH MYLAR



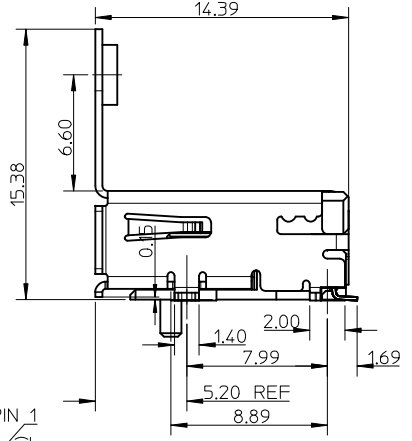
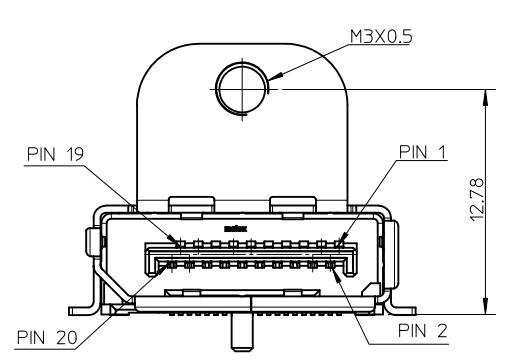
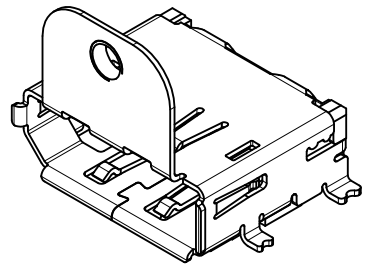
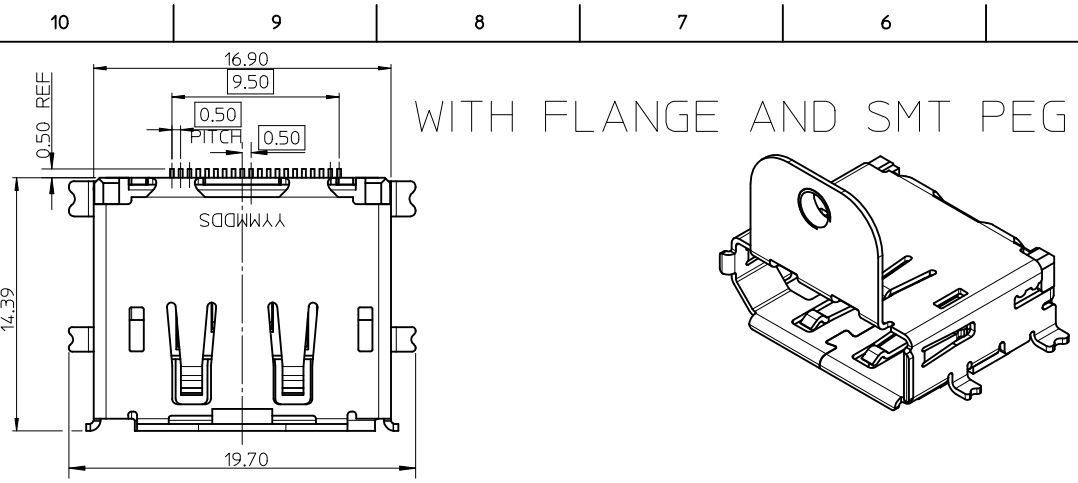
NOTES:
UNSPECIFIED DIMENSION ARE SAME AS SHEET1

NOTES:
UNSPECIFIED DIMENSION ARE SAME AS SHEET1

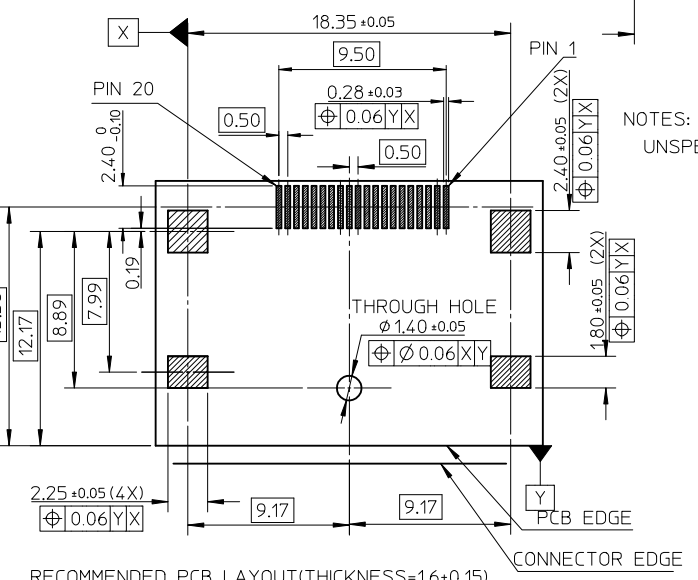


RECOMMENDED PCB LAYOUT (THICKNESS=1.6±0.15)

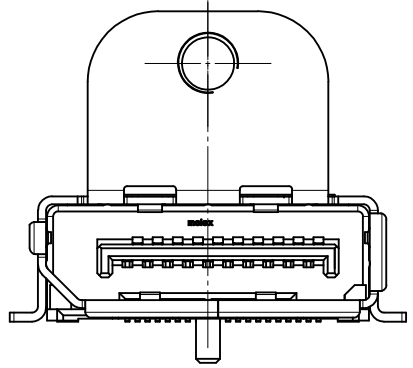
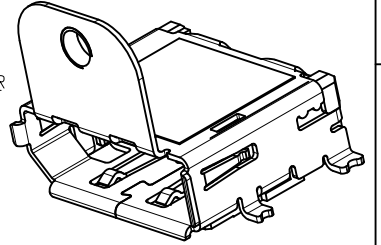
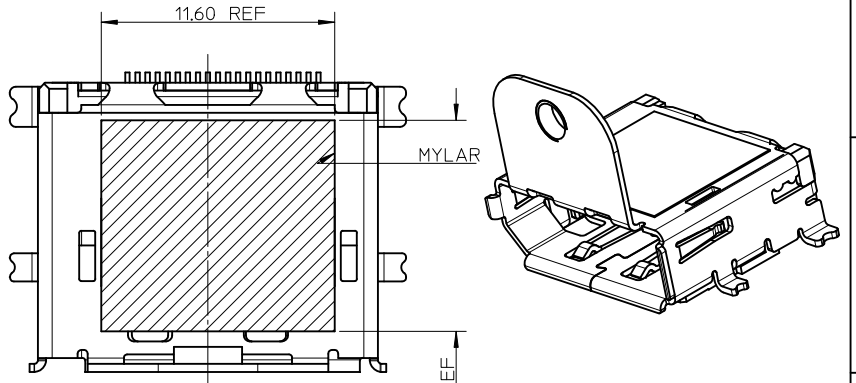
REVISED EC NO: SH2010-0353 DRW:HHH CHK:DFYANG05 APP:RZHANG	QUALITY SYMBOLS ▽=0 ▽=0 ▽=0	GENERAL TOLERANCES (UNLESS SPECIFIED)		DIMENSION STYLE MM ONLY		SCALE 1:1	DESIGN UNITS METRIC	THIRD ANGLE PROJECTION
		mm	INCH	DRAWN BY RZHANG	DATE 2005/07/01	TITLE 1.0MM PITCH DISPLAY PORT RECEPTACLE ASSEMBLY		
B	REV	4 PLACES	± ---	± ---	CHECKED BY IHWANG	DATE 2005/07/01	MOLEX INCORPORATED	
		3 PLACES	± ---	± ---	APPROVED BY RZHANG	DATE 2010/03/26	DOCUMENT NO. SD-47272-001	SHEET NO. 3 OF 8
		2 PLACES	± 0.25	± ---	SEE SHEETS 5			
		1 PLACE	± 0.25	± ---	THIS DRAWING CONTAINS INFORMATION THAT IS PROPRIETARY TO MOLEX INCORPORATED AND SHOULD NOT BE USED WITHOUT WRITTEN PERMISSION			
		ANGULAR ± 3 °						
		DRAFT WHERE APPLICABLE MUST REMAIN WITHIN DIMENSIONS						



NOTES:
UNSPECIFIED DIMENSION ARE SAME AS SHEET1



WITH FLANGE AND MYLAR



NOTES:
1.UNSPECIFIED DIMENSION ARE SAME AS SHEET1
2.THE RECOMMENDER PCB ARE SAME AS LEFT RECOMMENDER PCB

REVISED EC NO: SH2010-0353 DRW:HHH CHK:DFYANG05 APP:RZHANG	DESCRIPTION 2010/03/08 2010/03/24 2010/03/29	QUALITY SYMBOLS	GENERAL TOLERANCES (UNLESS SPECIFIED)		DIMENSION STYLE	SCALE	DESIGN UNITS	THIRD ANGLE PROJECTION
		$F_{\Delta}=0$	mm	INCH	MM ONLY	1:1	METRIC	
		$F_{\square}=0$	4 PLACES ± --- ± ---		DRAWN BY	DATE	TITLE	
		$F_{\nabla}=0$	3 PLACES ± --- ± ---		RZHANG	2005/07/01	1.0MM PITCH DISPLAY PORT RECEPTACLE ASSEMBLY	
		2 PLACES ± 0.25 ± ---		CHECKED BY	DATE			
		1 PLACE ± 0.25 ± ---		IWANG	2005/07/01			
		ANGULAR ± 3 °		APPROVED BY	DATE			
		DRAFT WHERE APPLICABLE MUST REMAIN WITHIN DIMENSIONS		RZHANG	2010/03/26			
		SEE SHEETS 5		MATERIAL NO.	DOCUMENT NO.	MOLEX INCORPORATED		
		SIZE A3		THIS DRAWING CONTAINS INFORMATION THAT IS PROPRIETARY TO MOLEX INCORPORATED AND SHOULD NOT BE USED WITHOUT WRITTEN PERMISSION		SD-47272-001		
						SHEET NO. 4 OF 8		

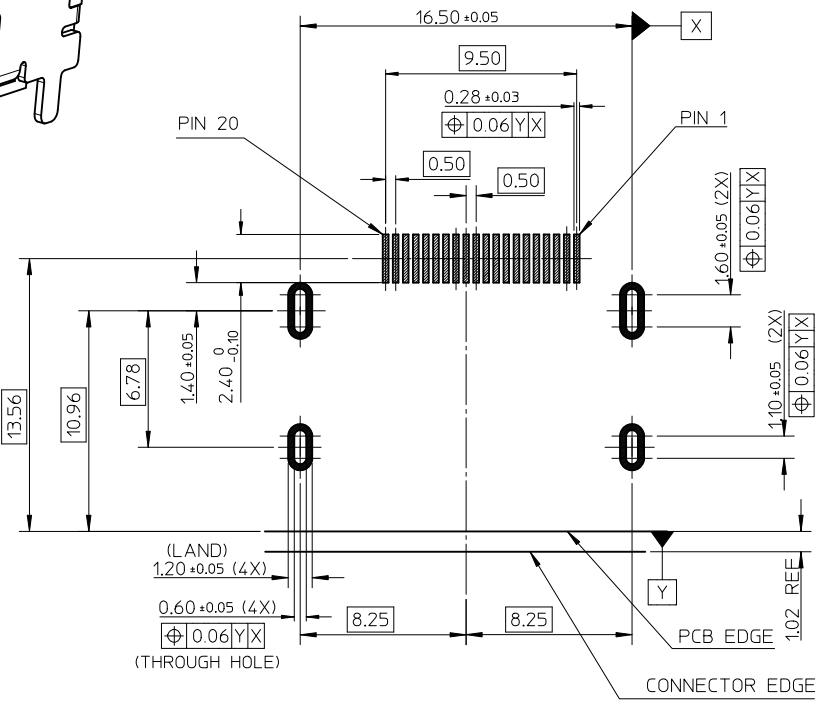
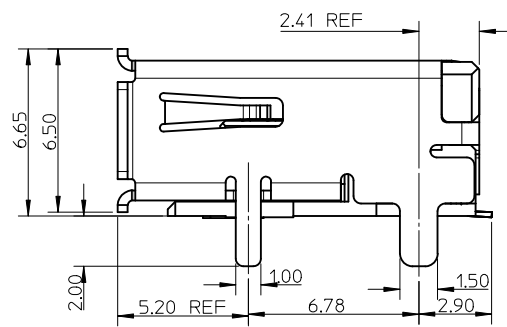
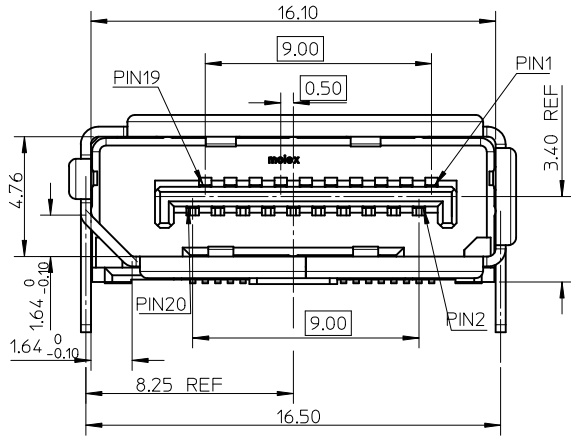
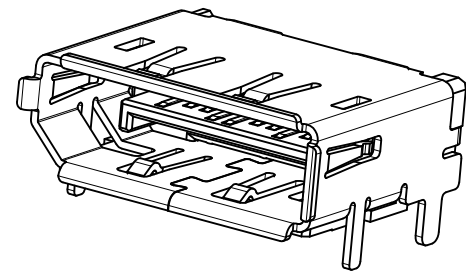
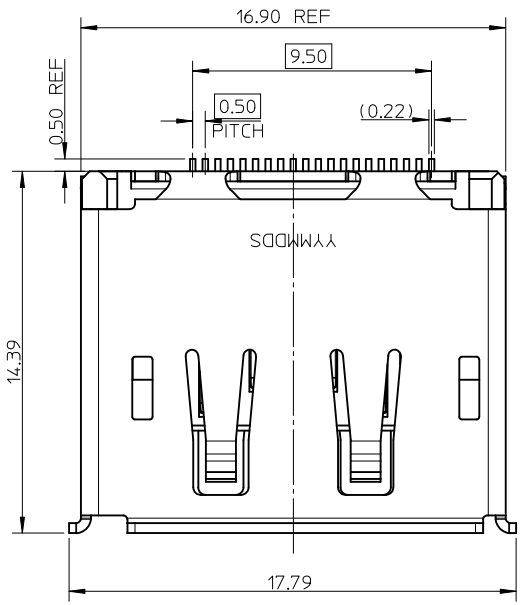
	10	9	8	7	6	5	4	3	2	1		
	ASSEMBLY NO.	WITH COVER	WITH FLANGE	SMT PEG OF SHELL	THROUGH HOLE PEG OF SHELL	PLATING IN CONTACT AREA	SHELL PLATING	WITH LATCH HOLE	MYLAR	POST	PACKAGE METHOD	REMARK
F	47272-0001	WITHOUT	WITHOUT	/	WITH	SEE NOTE2(1)	SEE NOTE2(a)	WITH	WITHOUT	WITH		WITH EMI SHELL FOR SHEET 1
	47272-0002	WITHOUT	WITHOUT	/	WITH	SEE NOTE2(1)	SEE NOTE2(a)	WITH	WITHOUT	WITH		
	47272-0011	WITHOUT	WITHOUT	/	WITH	SEE NOTE2(2)	SEE NOTE2(a)	WITH	WITHOUT	WITH		
	47272-0021	WITHOUT	WITHOUT	/	WITH	SEE NOTE2(3)	SEE NOTE2(a)	WITH	WITHOUT	WITH		
E	47272-0003	WITHOUT	WITHOUT	/	WITH	SEE NOTE2(1)	SEE NOTE2(a)	WITHOUT	WITHOUT	WITH		FOR SHEET 2
	47272-1002	WITH	WITHOUT	/	WITH	SEE NOTE2(1)	SEE NOTE2(a)	WITH	WITHOUT	WITH		
	47272-0012	WITH	WITHOUT	/	WITH	SEE NOTE2(2)	SEE NOTE2(a)	WITH	WITHOUT	WITH		
	47272-0022	WITH	WITHOUT	/	WITH	SEE NOTE2(3)	SEE NOTE2(a)	WITH	WITHOUT	WITH		
	47272-0024	WITH	WITHOUT	/	WITH	SEE NOTE2(1)	SEE NOTE2(a)	WITH	WITH	WITH		FOR SHEET 3
D	47272-0004	WITH	WITH	/	WITH	SEE NOTE2(1)	SEE NOTE2(c)	WITH	WITHOUT	WITH		
	47272-1004	WITHOUT	WITH	/	WITH	SEE NOTE2(1)	SEE NOTE2(c)	WITH	WITHOUT	WITH		
	47272-0025	WITHOUT	WITH	/	WITH	SEE NOTE2(1)	SEE NOTE2(c)	WITH	WITH	WITH		
	47272-0028	WITHOUT	WITH	/	WITH	SEE NOTE2(3)	SEE NOTE2(c)	WITH	WITH	WITH		FOR SHEET 4
C	47272-1005	WITHOUT	WITH	SMT PEG	/	SEE NOTE2(1)	SEE NOTE2(c)	WITH	WITHOUT	WITH		
	47272-0023	WITHOUT	WITH	SMT PEG	/	SEE NOTE2(1)	SEE NOTE2(c)	WITH	WITH	WITH		
	47272-0026	WITHOUT	WITHOUT	/	WITH	SEE NOTE2(1)	SEE NOTE2(a)	WITH	WITHOUT	WITHOUT		FOR SHEET 6
	47272-0027	WITH	WITH	/	WITH	SEE NOTE2(1)	SEE NOTE2(c)	WITH	WITH	WITH		FOR SHEET 7
	47272-0201	WITHOUT	WITHOUT	/	WITH	SEE NOTE2(4)	SEE NOTE2(a)	WITH	WITHOUT	WITH		FOR SHEET 1
	47272-0029	WITHOUT	WITHOUT	/	WITH	SEE NOTE2(1)	SEE NOTE2(a)	WITH	WITH	WITH		FOR SHEET 8

B

REVISED IEC NO: SH2010-0353 DRW:HHH 2010/03/08 CHKD:FYANG05 2010/03/24 APPR:RZHANG 2010/03/29 REV	QUALITY SYMBOLS	GENERAL TOLERANCES (UNLESS SPECIFIED)	DIMENSION STYLE	SCALE	DESIGN UNITS	THIRD ANGLE PROJECTION	
	$F_V=0$	mm INCH	MM ONLY	1:1	METRIC		
	$F_G=0$	4 PLACES ± --- ± ---	DRAWN BY RZHANG	DATE 2005/07/01	TITLE 1.0MM PITCH DISPLAY PORT RECEPTACLE ASSEMBLY		
	$F_P=0$	3 PLACES ± --- ± ---	CHECKED BY IWANG	DATE 2005/07/01	MOLEX INCORPORATED		
	2 PLACES ± 0.25 ± ---	APPROVED BY RZHANG	DATE 2010/03/26	DOCUMENT NO. SD-47272-001			
	1 PLACE ± 0.25 ± ---	ANGULAR ± 3 °		SHEET NO. 5 OF 8			
		DRAFT WHERE APPLICABLE MUST REMAIN WITHIN DIMENSIONS	SEE CHART	THIS DRAWING CONTAINS INFORMATION THAT IS PROPRIETARY TO MOLEX INCORPORATED AND SHOULD NOT BE USED WITHOUT WRITTEN PERMISSION			

10 9 8 7 6 5 4 3 2 1

WITHOUT POST

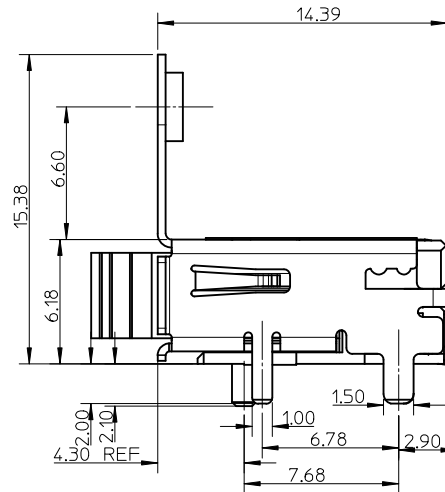
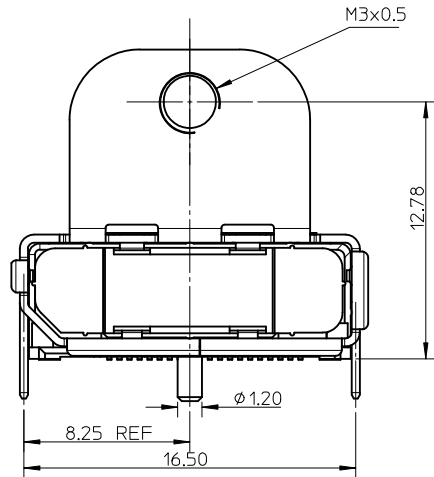
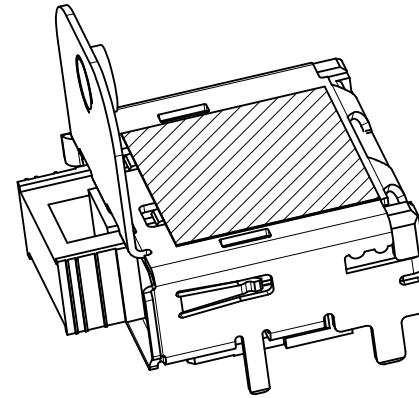
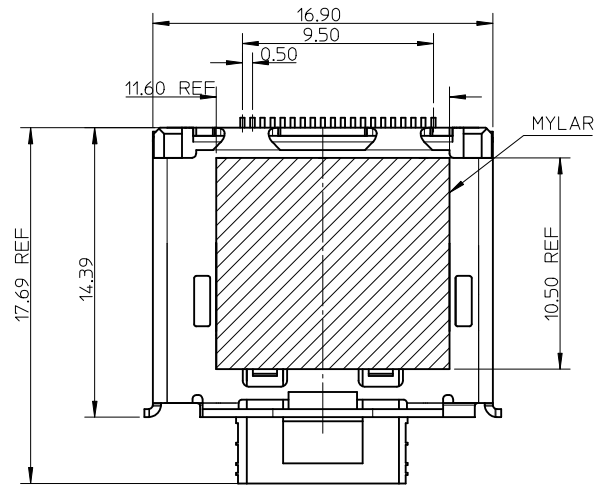


RECOMMENDED PCB LAYOUT (THICKNESS=1.6±0.15)

NOTES:
UNSPECIFIED DIMENSION ARE SAME AS SHEET1

REVISED EC NO: SH2010-0353 DRW: HHE CHKD: FYANG05 APPR: RZHANG	REV DESCRIPTION	2010/03/08	2010/03/24	2010/03/29	QUALITY SYMBOLS ▽=0 ▽=0 ▽=0	GENERAL TOLERANCES (UNLESS SPECIFIED)		DIMENSION STYLE MM ONLY		SCALE 1:1	DESIGN UNITS METRIC	THIRD ANGLE PROJECTION			
		4 PLACES	3 PLACES	2 PLACES		1 PLACE	mm	INCH	DRAWN BY RZHANG	DATE 2005/07/01	TITLE 1.0MM PITCH DISPLAY PORT RECEPTACLE ASSEMBLY				
		± ---	± ---	± 0.25		± 0.25	± ---	± ---	CHECKED BY IWANG	DATE 2005/07/01	APPROVED BY RZHANG	DATE 2010/03/26	MATERIAL NO.	DOCUMENT NO. SD-47272-001	SHEET NO. 6 OF 8
		ANGULAR ± 3 °	DRAFT WHERE APPLICABLE MUST REMAIN WITHIN DIMENSIONS			SIZE A3	THIS DRAWING CONTAINS INFORMATION THAT IS PROPRIETARY TO MOLEX INCORPORATED AND SHOULD NOT BE USED WITHOUT WRITTEN PERMISSION								

9 8 7 6 5 4 3 2 1

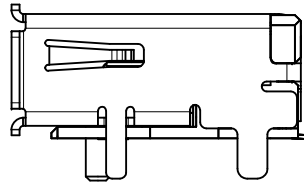
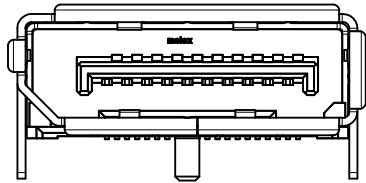
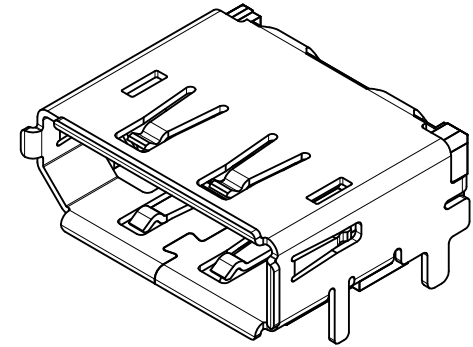
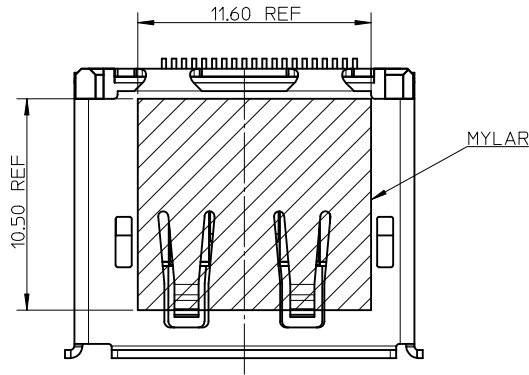


- NOTES:
1. UNSPECIFIC DIMENSION ARE SAME AS SHEET1
 2. THE RECOMMENDER PCB ARE SAME AS SHEET1

REVISED EC NO: SH2010-0353 DRW: HHE CHK: D-FYANG05 APPR: RZHANG	2010/03/08 2010/03/24 2010/03/29	DESCRIPTION REV	QUALITY SYMBOLS	GENERAL TOLERANCES (UNLESS SPECIFIED)		DIMENSION STYLE		SCALE	DESIGN UNITS	THIRD ANGLE PROJECTION			
			$\nabla = 0$ $\nabla = 0$ $\nabla = 0$	mm	INCH	MM ONLY		1:1	METRIC				
			4 PLACES ± --- ± --- 3 PLACES ± --- ± --- 2 PLACES ± 0.25 ± --- 1 PLACE ± 0.25 ± ---	DRAWN BY: RZHANG		DATE: 2005/07/01		TITLE: 1.0MM PITCH DISPLAY PORT RECEPTACLE ASSEMBLY					
			ANGULAR ± 3 °	DRAWN BY: IWANG		DATE: 2005/07/01		MATERIAL NO. SEE SHEETS 5					
DRAFT WHERE APPLICABLE MUST REMAIN WITHIN DIMENSIONS				APPROVED BY: RZHANG		DATE: 2010/03/26		DOCUMENT NO. SD-47272-001					
				SIZE: A3		THIS DRAWING CONTAINS INFORMATION THAT IS PROPRIETARY TO MOLEX INCORPORATED AND SHOULD NOT BE USED WITHOUT WRITTEN PERMISSION							

10 9 8 7 6 5 4 3 2 1

STANDARD TYPE WITH MYLAR



NOTES:

- 1. UNSPECIFIC DIMENSION ARE SAME AS SHEET1
- 2. THE RECOMMENDER PCB ARE SAME AS SHEET1

REVISED EC NO: SH2010-0353 DRWN: HHE CHKD: FYANG05 APPR: RZHANG	2010/03/08 2010/03/24 2010/03/29	DESCRIPTION REV	QUALITY SYMBOLS $\nabla = 0$ $\nabla = 0$ $\nabla = 0$	GENERAL TOLERANCES (UNLESS SPECIFIED)		DIMENSION STYLE MM ONLY		SCALE 4:1	DESIGN UNITS METRIC	THIRD ANGLE PROJECTION	
				mm	INCH	DRAWN BY RZHANG	DATE 2005/07/01	TITLE 1.0MM PITCH DISPLAY PORT RECEPTACLE ASSEMBLY			
	4 PLACES			± ---	± ---	CHECKED BY IWANG	DATE 2005/07/01				
	3 PLACES			± ---	± ---	APPROVED BY RZHANG	DATE 2010/03/26	MOLEX INCORPORATED			
2 PLACES	± 0.25	± ---	MATERIAL NO. SEE SHEETS 5		DOCUMENT NO. SD-47272-001		SHEET NO. 8 OF 8				
1 PLACE	± 0.25	± ---	DRAFT WHERE APPLICABLE MUST REMAIN WITHIN DIMENSIONS		THIS DRAWING CONTAINS INFORMATION THAT IS PROPRIETARY TO MOLEX INCORPORATED AND SHOULD NOT BE USED WITHOUT WRITTEN PERMISSION						
		ANGULAR ± 3 °									

9 8 7 6 5 4 3 2 1